



Air operated 2-port valve
(cylinder valve)

SAB*W Series

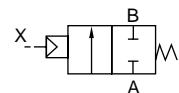
- NC, NO, double acting
- Port size: Rc1/4 to Rc2, 32 to 80 flange
- Working fluids: Water, non-corrosive liquid



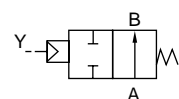
EXA
FWD
HNB/G
USB/G
FAB/G
FGB/G
FVB
FWB/G
FHB
FLB
AB
AG
AP/
AD
APK/
ADK
DryAir
EX-
XPLNprf
XPLNprf
HVB/
HVL
S∧B/
NAB
LAD/
NAD
Water-
Rela
NP/NAP/
NVP
SNP
CHB/G
MXB/G
Other
valves
SWD/
MWD
DustColl
CVE/
CVSE
CCH/
CPE/D
LifeSci
Gas-
Combus
Auto-
Water
Outdoor
SpecFld
Custom
Ending

JIS symbol

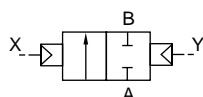
● NC



● NO



● Double acting



Common specifications

1 MPa = 10 bar

Item	SAB1W	SAB2W	SAB3W
Actuation	NC	NO	Double acting
Working fluid	Water/non-corrosive liquid (*1)		
Fluid viscosity mm ² /s	500 or less		
Working pressure MPa	0 (≈0 psi) to 0.7 (≈100 psi)(*2)	0 (≈0 psi, 0 bar) to 1 (≈150 psi, 10 bar)	
Proof pressure (water pressure) MPa	2.0 (≈290 psi, 20 bar)		
Fluid temperature °C	-10 (14°F) to 60 (140°F) (no freezing) (*3)		
Ambient temperature °C	-10 (14°F) to 60 (140°F)		
Valve seat leakage cm ³ /min	0 (water pressure)		
Mounting orientation	Unrestricted		
Pilot fluid	Air		
Water hammer value MPa	1 (≈150 psi, 10 bar) or less (according to the Water Supply Act)		

*1 : Refer to the working fluid check list on Intro Page 39.

*2 : Note that this differs with the type, so refer to the working pressure in the individual specifications.

*3 : -10 to 90°C for fluoro rubber seal (FKM).

Individual specifications

1 MPa = 10 bar

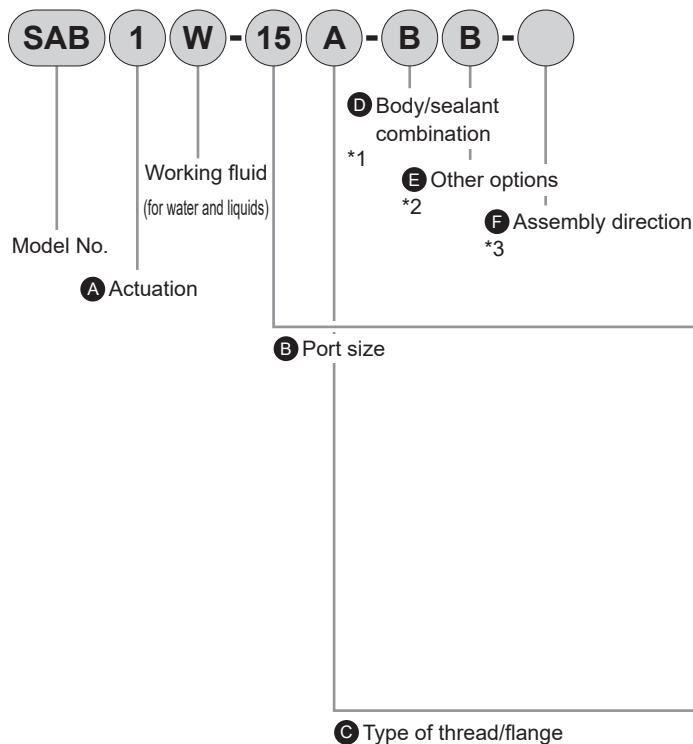
Item Model No.	Port size	Orifice size (mm)	Cv	Working pressure (MPa)			Pilot pressure (MPa)			Pilot port size	Weight (kg)			
				NC	NO	Double acting	NC	NO	Double acting		NC	NO	Double acting	
SAB*W-8A	Rc 1/4	10	2.3	0 (≈0 psi) to 0.7 (≈100 psi)	0 (≈0 psi) to 1 (≈150 psi)		0.35 (≈51 psi)		(*1)	Rc1/8	0.3			
SAB*W-10A	Rc 3/8	10	2.6								0.3			
SAB*W-15A	Rc 1/2	15	5.6								0.6			
SAB*W-20A	Rc 3/4	16	8								0.8			
SAB*W-25A	Rc 1	20	12	1.1										
SAB*W-32A	Rc 1 1/4	26	20	2.3			2.2	2.2						
SAB*W-32F	32 flange	26	20	5.3			5.2	5.2						
SAB*W-40A	Rc 1 1/2	32	32	0 (≈0 psi) to 0.5 (≈73 psi)	0 (≈0 psi) to 1 (≈150 psi)	0.25 (≈36 psi)		(*1)	3.4			3.2	3.2	
SAB*W-40F	40 flange	32	32						6.5			6.3	6.3	
SAB*W-50A	Rc 2	42	50						5.5			5.2	5	
SAB*W-50F	50 flange	42	50						9.4			9.1	8.9	
SAB*W-65F(*2)	65 flange	65	70	20.5			19	18						
SAB*W-80F(*2)	80 flange	79	100	25			23	22						

*1 : Refer to page 568 for the pilot air pressure for the NO and double acting.

*2 : Port sizes 65 flange/80 flange are made-to-order products.

*3 : Female thread is available in G thread and NPT thread.

How to order



⚠ Precautions for model No. selection

- *1 : The body/sealant combination code is O or B for port size 65F and 80F. Note that the body is made of cast iron.
- *2 : The mounting plate (Item **E**B) can be attached to only the female thread of port sizes 8 to 32.
- *3 : Reversed mounting plate (Item **F**B-R) is available for port size 15 to 32.
- *4 : Clockwise when viewed from above with the port A on the right.

[Example of model No.]

SAB1W-15A-BB

Model: SAB

- A** Actuation : NC (Normally closed)
- B** Port size : 1/2
- C** Type of thread/flange : Rc
- D** Body/sealant combination : Body - bronze, sealant - fluoro rubber
- E** Other options : With mounting plate
- F** Assembly direction : No option

Code	Description		
A Actuation			
1	NC		
2	NO		
3	Double acting		
B Port size			
8	1/4		
10	3/8		
15	1/2		
20	3/4		
25	1		
32	1 1/4, 32 (Flange)		
40	1 1/2, 40 (Flange)		
50	2, 50 (Flange)		
65	65 (Flange) (made-to-order product)		
80	80 (Flange) (made-to-order product)		
C Type of thread/flange			
A	Rc(8A to 50A)		
F	Flange (32F to 80F)		
G	G(8G to 50G)		
N	NPT(8N to 50N)		
D Body/sealant combination			
		Body	Seal
O	Standard	Bronze	Nitrile rubber
B	Option	Bronze	Fluoro rubber
P		Bronze	Ethylene propylene rubber
D		Stainless steel	Nitrile rubber
E		Stainless steel	Fluoro rubber
R		Stainless steel	Ethylene propylene rubber
E Other options			
Blank	No option		
B	Mounting plate *2		
F Assembly direction			
Blank	No option		
R	Mounting plate assembly position reversed		

Refer to the figure below for the layout drawing.

Item **F** Assembly direction

SAB [Air operated] *2/4		
Code	B (with mounting plate)	B-R *3
Direction	No rotation	Mounting plate reversed
Layout		

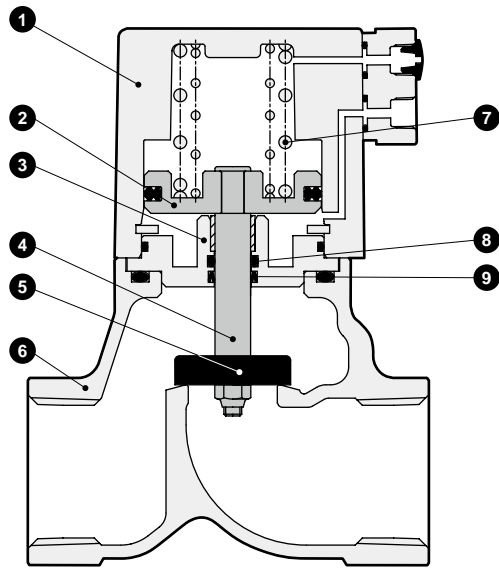
← Indicates pilot port IN.

EXA
FWD
HNB/G
USB/G
FAB/G
FGB/G
FVB
FWB/G
FHB
FLB
AB
AG
AP/AD
APK/ADK
DryAir
EX-XPLNprf
XPLNprf
HVB/HVL
S↑B/NAB
LAD/NAD
Water-Rela
NP/NAP/NVP
SNP
CHB/G
MXB/G
Other valves
SWD/MWD
DustColl
CVE/CVSE
CCH/CPE/D
LifeSci
Gas-Combus
Auto-Water
Outdoor
SpecFld
Custom
Ending

EXA
FWD
HNB/G
USB/G
FAB/G
FGB/G
FVB
FWB/G
FHB
FLB
AB
AG
AP/
AD
APK/
ADK
DryAir
EX-
XPLNprf
XPLNprf
HVB/
HVL
S ∇ B/
NAB
LAD/
NAD
Water-
Rela
NP/NAP/
NVP
SNP
CHB/G
MXB/G
Other
valves
SWD/
MWD
DustColl
CVE/
CVSE
CCH/
CPE/D
LifeSci
Gas-
Combus
Auto-
Water
Outdoor
SpecFld
Custom
Ending

Internal structure and parts list

● SAB1W



No.	Part name	Material	
1	Cylinder guard	ADC12	Aluminum die-casting
2	Piston	A2017	Aluminum
3	Adaptor	C3604(SUS304)	Copper alloy (stainless steel)
4	Piston rod	SUS304	Stainless steel
5	Main valving element	NBR(FKM, EPDM) SUS304	Nitrile rubber (fluoro rubber, ethylene propylene rubber) stainless steel
6	Body	CAC408(SCS13)	Bronze casting (stainless steel casting)
7	Spring	SWP	Piano wire
8	O-ring	NBR(FKM, EPDM)	NBR (FPM, EPM rubber)
9	MY packing	NBR(FKM, EPDM)	NBR (FPM, EPM rubber)

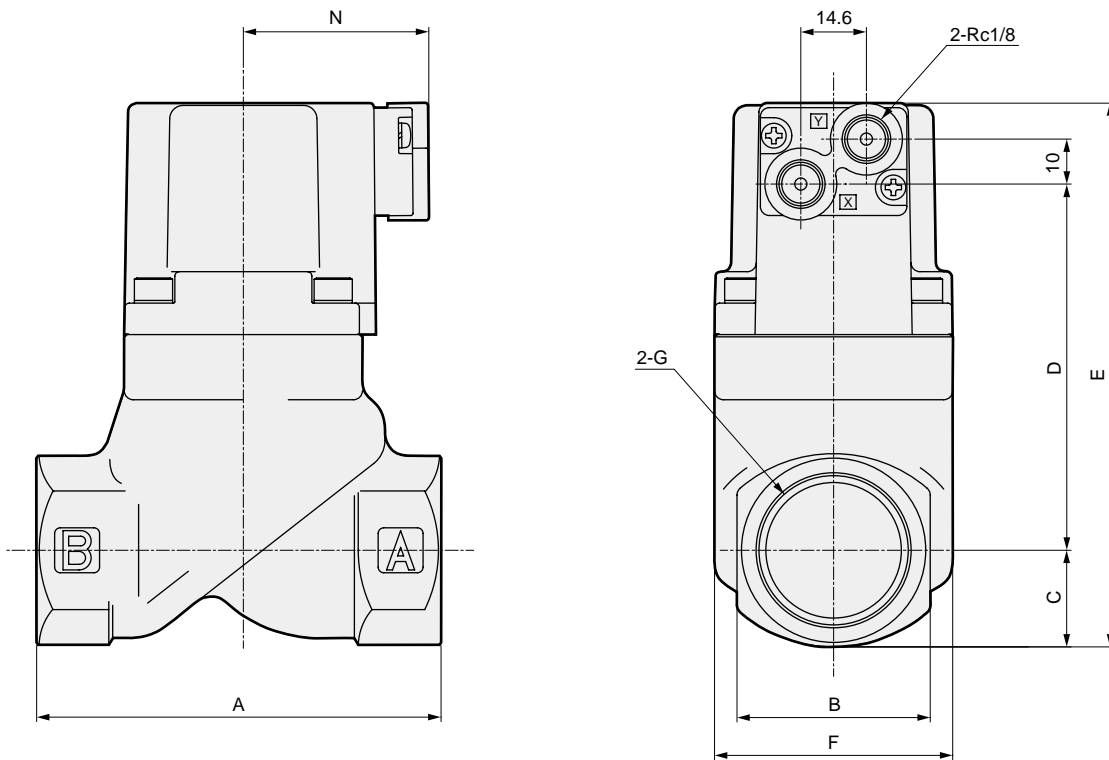
*1 : () shows options.

*2 : For 65F and 80F, the body is FC250 (cast iron), and the main valving element material is FKM.

Dimensions



● SAB*W-8* to 50* (female thread)

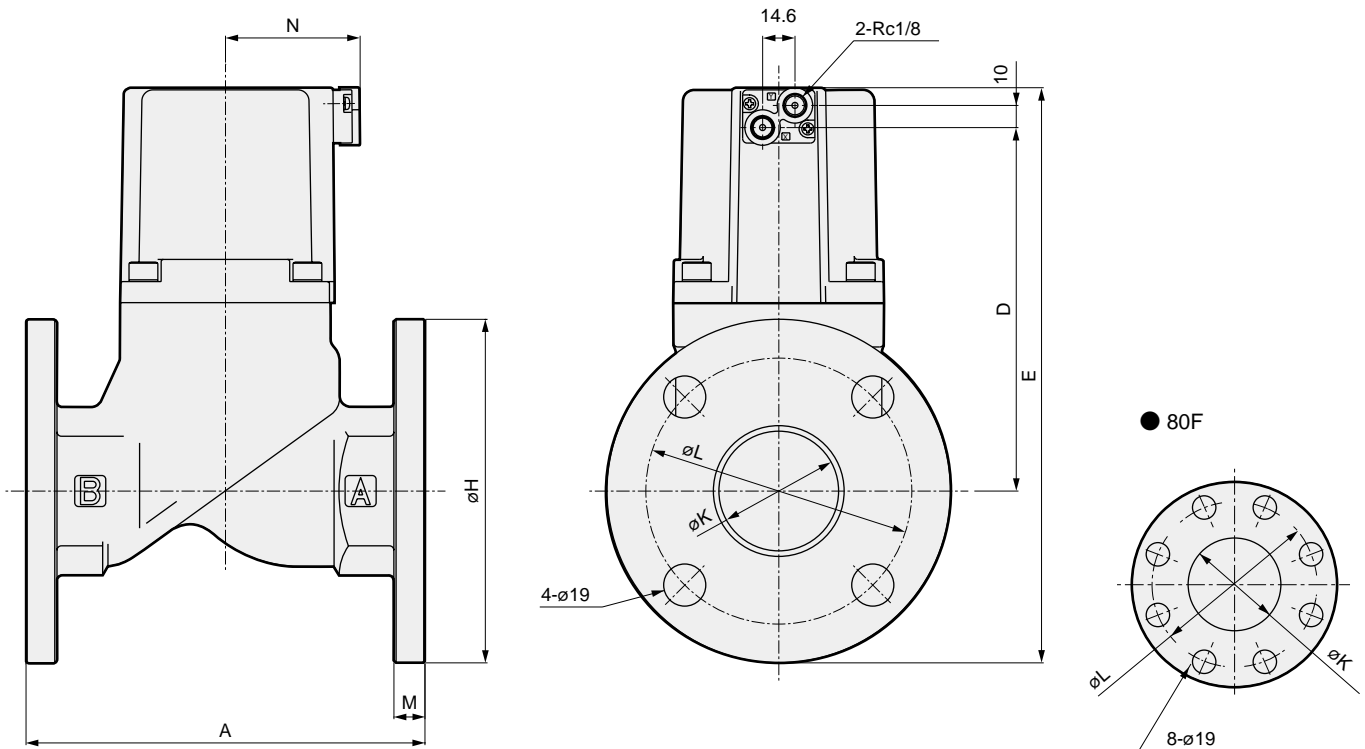


Model No.	A	B	C	D	E	F	G	N
SAB*W-8A/G/N	50	24	12	41.5	71.5	32	Rc1/4 / G1/4 / 1/4-18NPT	37(42)
SAB*W-10A/G/N							Rc3/8 / G3/8 / 3/8-18NPT	
SAB*W-15A/G/N	71	28	14.5	61.5	94	43	Rc1/2 / G1/2 / 1/2-14NPT	38(43)
SAB*W-20A/G/N	80	35	17.5	71	106.5	43	Rc3/4 / G3/4 / 3/4-14NPT	38(43)
SAB*W-25A/G/N	90	43	21	81.5	120.5	53	Rc1/G1/1-11.5NPT	41.5(46.5)
SAB*W-32A/G/N	125	55	27.5	109.5	155	63	Rc1 1/4 / G1 1/4 / 1 1/4-11.5 NPT	46(51)
SAB*W-40A/G/N	140	61	30.5	130.5	179	77	Rc1 1/2 / G1 1/2 / 1 1/2-11.5 NPT	53(58)
SAB*W-50A/G/N	160	76	38	164	220	95	Rc2/G2/2-11.5NPT	61(66)

*1: () shows values for G thread.

Dimensions

● SAB*W-32F to 80F (flange)



Model No.	A	D	E	H	K	L	M	N
SAB*W-32F	170	109.5	195	135	36	100	12	46
SAB*W-40F	180	130.5	218.5	140	42	105	12	53
SAB*W-50F	180	164	259.5	155	54	120	14	61
SAB*W-65F	210	199	347.5	175	68	140	16	101
SAB*W-80F	240	214	367.5	185	82	150	16	111

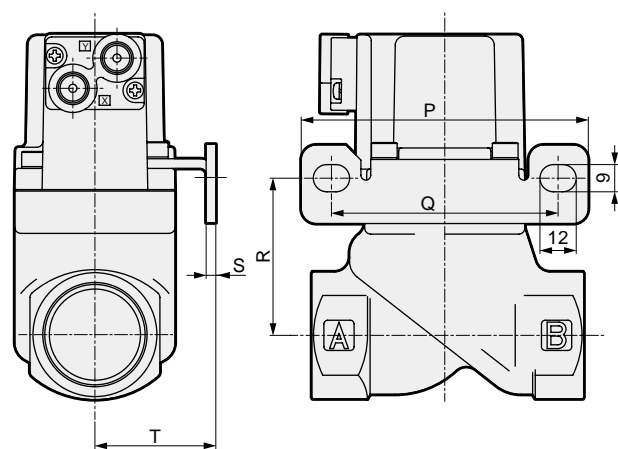
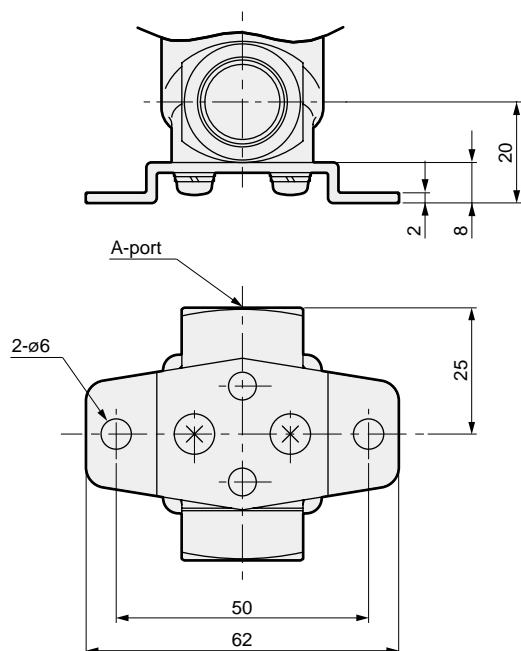
Optional dimensions

● Mounting plate
SAB*W-8*/10*-* **B**

Material: Steel
Zinc plated

● Mounting plate
SAB*W-15* to 32*-* **B** / **B-R**

Material: Steel
Zinc plated

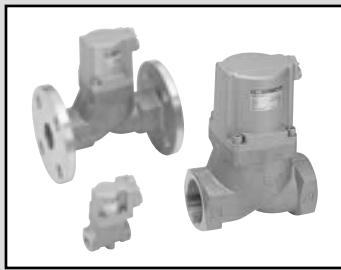


* The figure shows **B**.

Model No.	P	Q	R	S	T
SAB*W-15A/G/N	90	70	39	2.3	30
SAB*W-20A/G/N	90	70	48.5	2.3	30
SAB*W-25A/G/N	95	75	52	3.2	40
SAB*W-32A/G/N	105	85	66.5	3.2	45

* Use the body mounting screws if fixing without a mounting plate.
(Thread size: M4 depth 8 pitch 19)

EXA
FWD
HNB/G
USB/G
FAB/G
FGB/G
FVB
FWB/G
FHB
FLB
AB
AG
AP/
AD
APK/
ADK
DryAir
EX-
XPLNprf
XPLNprf
HVB/
HVL
**S†B/
NAB**
**LAD/
NAD**
Water-
Rela
NP/NAP/
NVP
SNP
CHB/G
MXB/G
Other valves
SWD/
MWD
DustColl
CVE/
CVSE
CCH/
CPE/D
LifeSci
Gas-
Combus
Auto-
Water
Outdoor
SpecFld
Custom
Ending



Air operated 2-port valve
(cylinder valve)

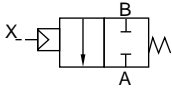
SAB*A Series

- NC, NO, double acting
- Port size: Rc1/4 to Rc2 32 to 80 flange
- Working fluid: Air, gas

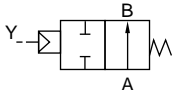


JIS symbol

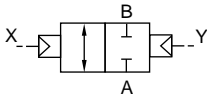
● NC



● NO



● Double acting



Common specifications

1 MPa = 10 bar

Item	SAB1A	SAB2A	SAB3A
Actuation	NC	NO	Double acting
Working fluid	Air/gas (*1)		
Working pressure MPa	0 (≈0 psi) to 0.9 (≈130 psi)	0 (≈0 psi, 0 bar) to 1 (≈150 psi, 10 bar)	
Proof pressure (water pressure) MPa	2.0 (≈290 psi, 20 bar)		
Fluid temperature °C	-10 (14°F) to 60 (140°F) (no freezing) (*2)		
Ambient temperature °C	-10 (14°F) to 60 (140°F)		
Valve seat leakage cm ³ /min	0.12 or less (pneumatic pressure)		
Mounting orientation	Unrestricted		
Pilot fluid	Air		
Pilot pressure MPa	0.35 (≈51 psi) to 0.7 (≈100 psi)	Refer to page 568.	

*1 : Refer to the working fluid check list on Intro Page 39.

*2 : -10 to 90°C for fluoro rubber seal (FKM).

1 MPa = 10 bar

Individual specifications

Item	Port size	Orifice size (mm)	C [dm ³ /(s·bar)]	b	S (mm ²)	Allowable back pressure (MPa)	Pilot port size	Weight (kg)
NC								
SAB1A-8A	Rc1/4	10	8.3	0.4	-	0.5 (≈73 psi)	Rc1/8	0.3
SAB1A-10A	Rc3/8	10	11	0.4	-			0.3
SAB1A-15A	Rc1/2	15	-	-	120	0.1 (≈15 psi, 1 bar)		0.6
SAB1A-20A	Rc3/4	16	-	-	150			0.8
SAB1A-25A	Rc1	20	-	-	240			1.1
SAB1A-32A	Rc1 1/4	26	-	-	390			2.2
SAB1A-32F	32 flange	26	-	-	390			5.2
SAB1A-40A	Rc1 1/2	32	-	-	610			3.2
SAB1A-40F	40 flange	32	-	-	610			6.3
SAB1A-50A	Rc2	42	-	-	920			5.2
SAB1A-50F	50 flange	42	-	-	920		9.1	
SAB1A-65F(*2)	65 flange	65	-	-	1290		19.5	
SAB1A-80F(*2)	80 flange	79	-	-	1840	23.5		
NO								
SAB2A-8A	Rc1/4	10	8.9	0.4	-	0.1 (≈15 psi, 1 bar)	Rc1/8	0.3
SAB2A-10A	Rc3/8	10	12	0.3	-			0.3
SAB2A-15A	Rc1/2	15	-	-	140			0.6
SAB2A-20A	Rc3/4	16	-	-	180			0.8
SAB2A-25A	Rc1	20	-	-	280			1.1
SAB2A-32A	Rc1 1/4	26	-	-	450	2.2		
SAB2A-32F	32 flange	26	-	-	450	0.05 (≈7.3 psi, 0.5 bar)		5.2
SAB2A-40A	Rc1 1/2	32	-	-	680			3.2
SAB2A-40F	40 flange	32	-	-	680			6.3
SAB2A-50A	Rc2	42	-	-	1020			5.2
SAB2A-50F	50 flange	42	-	-	1020		9.1	
SAB2A-65F(*2)	65 flange	65	-	-	1290	19		
SAB2A-80F(*2)	80 flange	79	-	-	1840	23		
Double acting (*1)								
SAB3A-8A	Rc1/4	10	8.3(8.9)	0.4	-	1 (≈150 psi, 10 bar)	Rc1/8	0.3
SAB3A-10A	Rc3/8	10	11(12)	0.4(0.3)	-			0.3
SAB3A-15A	Rc1/2	15	-	-	120(140)			0.6
SAB3A-20A	Rc3/4	16	-	-	150(180)			0.8
SAB3A-25A	Rc1	20	-	-	240(280)			1.1
SAB3A-32A	Rc1 1/4	26	-	-	390(450)			2.2
SAB3A-32F	32 flange	26	-	-	390(450)			5.2
SAB3A-40A	Rc1 1/2	32	-	-	610(680)			3.2
SAB3A-40F	40 flange	32	-	-	610(680)			6.3
SAB3A-50A	Rc2	42	-	-	920(1020)			5.2
SAB3A-50F	50 flange	42	-	-	920(1020)	9.1		
SAB3A-65F(*2)	65 flange	65	-	-	1290	18		
SAB3A-80F(*2)	80 flange	79	-	-	1840	22		

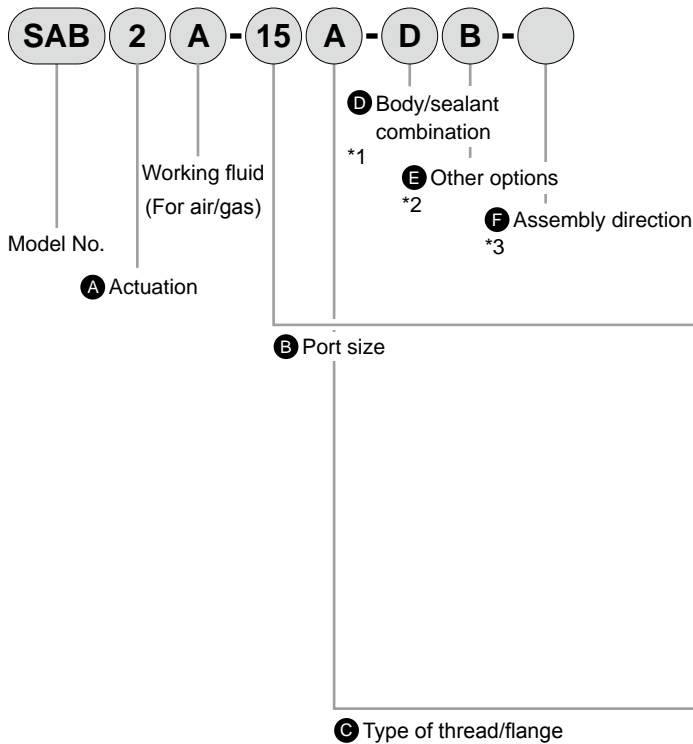
*1 : () of C, b and S columns of double acting shows the flow rates of when port A is pressurized.

*2 : Port sizes 65 flange/80 flange are made-to-order products.

*3 : Effective cross-sectional area S and sonic conductance C are converted as S ≈ 5.0 × C.

*4 : Female thread is available in G thread and NPT thread.

How to order



⚠ Precautions for model No. selection

- *1 : The body/sealant combination code is O or B for port size 65F and 80F. Note that the body is made of cast iron.
- *2 : The mounting plate (Item **B**) can be attached to only the female thread of port size 8 to 32.
- *3 : Reversed mounting plate (Item **B-R**) is available for port size 15 to 32.
- *4 : Clockwise when viewed from above with the port A on the right.

[Example of model No.]

SAB2A-15A-DB

Model: SAB

- A** Actuation : NO
- B** Port size : 1/2
- C** Type of thread/flange : Rc
- D** Body/sealant combination : Body - stainless steel, sealant - nitrile rubber
- E** Other options : With mounting plate
- F** Assembly direction : No option

Code	Description		
A Actuation			
1	NC		
2	NO		
3	Double acting		
B Port size			
8	1/4		
10	3/8		
15	1/2		
20	3/4		
25	1		
32	1 1/4, 32 (Flange)		
40	1 1/2, 40 (Flange)		
50	2, 50 (Flange)		
65	65 (Flange) (made-to-order product)		
80	80 (Flange) (made-to-order product)		
C Type of thread/flange			
A	Rc(8A to 50A)		
F	Flange (32F to 80F)		
G	G(8G to 50G)		
N	NPT(8N to 50N)		
D Body/sealant combination			
		Body	Seal
0	Standard	Bronze	Nitrile rubber
B	Option	Bronze	Fluoro rubber
P		Bronze	Ethylene propylene rubber
D		Stainless steel	Nitrile rubber
E		Stainless steel	Fluoro rubber
R		Stainless steel	Ethylene propylene rubber
E Other options			
Blank	No option		
B	Mounting plate *2		
F Assembly direction			
Blank	No option		
R	Mounting plate assembly position reversed		

Refer to the figure below for the layout drawing.

Item **F** Assembly direction

SAB [Air operated] *2/4		
Code	B (with mounting plate)	B-R *3
Direction	No rotation	Mounting plate reversed
Layout		

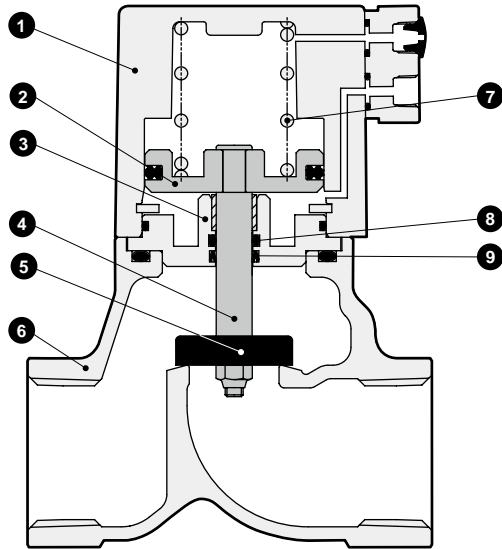
← shows pilot port IN.

EXA
FWD
HNB/G
USB/G
FAB/G
FGB/G
FVB
FWB/G
FHB
FLB
AB
AG
AP/AD
APK/ADK
DryAir
EX-
XPLNprf
XPLNprf
HVB/
HVL
S↑B/
NAB
LAD/
NAD
Water-
Rela
NP/NAP/
NVP
SNP
CHB/G
MXB/G
Other
valves
SWD/
MWD
DustColl
CVE/
CVSE
CCH/
CPE/D
LifeSci
Gas-
Combus
Auto-
Water
Outdoor
SpecFld
Custom
Ending

- EXA
- FWD
- HNB/G
- USB/G
- FAB/G
- FGB/G
- FVB
- FWB/G
- FHB
- FLB
- AB
- AG
- AP/AD
- APK/ADK
- DryAir
- EX-XPLNprf
- XPLNprf
- HVB/HVL
- SAB/NAB
- LAD/NAD
- Water-Rela
- NP/NAP/NVP
- SNP
- CHB/G
- MXB/G
- Other valves
- SWD/MWD
- DustColl
- CVE/CVSE
- CCH/CPE/D
- LifeSci
- Gas-Combus
- Auto-Water
- Outdoor
- SpecFld
- Custom
- Ending

Internal structure and parts list

● SAB1A



No.	Part name	Material	
1	Cylinder guard	ADC12	Aluminum die-casting
2	Piston	A2017	Aluminum
3	Adaptor	C3604(SUS304)	Copper alloy (stainless steel)
4	Piston rod	SUS304	Stainless steel
5	Main valving element	NBR(FKM, EPDM) SUS304	Nitrile rubber (fluoro rubber, ethylene propylene rubber) stainless steel
6	Body	CAC408(SCS13)	Bronze casting (stainless steel casting)
7	Spring	SWP	Piano wire
8	O-ring	NBR(FKM, EPDM)	NBR (FPM, EPM rubber)
9	MY packing	NBR(FKM, EPDM)	NBR (FPM, EPM rubber)

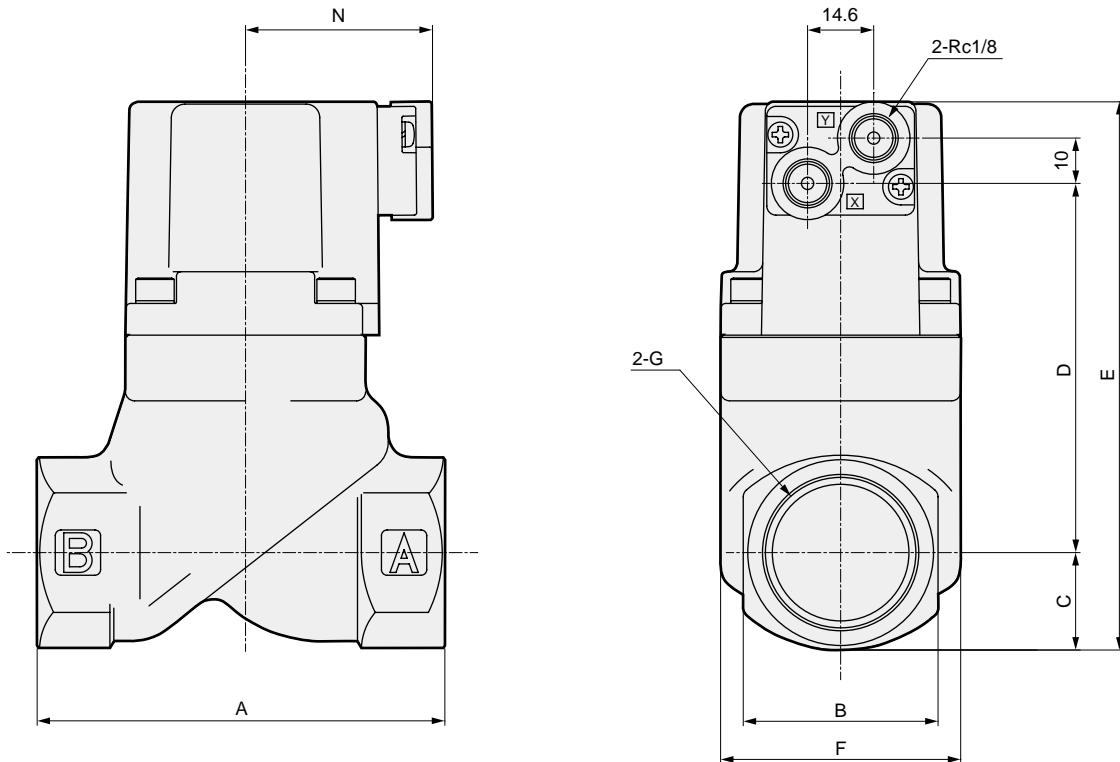
*1 : () shows options.

*2 : For 65F and 80F, the body is FC250 (cast iron), and the main valving element material is FKM.

Dimensions



● SAB*A-8* to 50* (female thread)

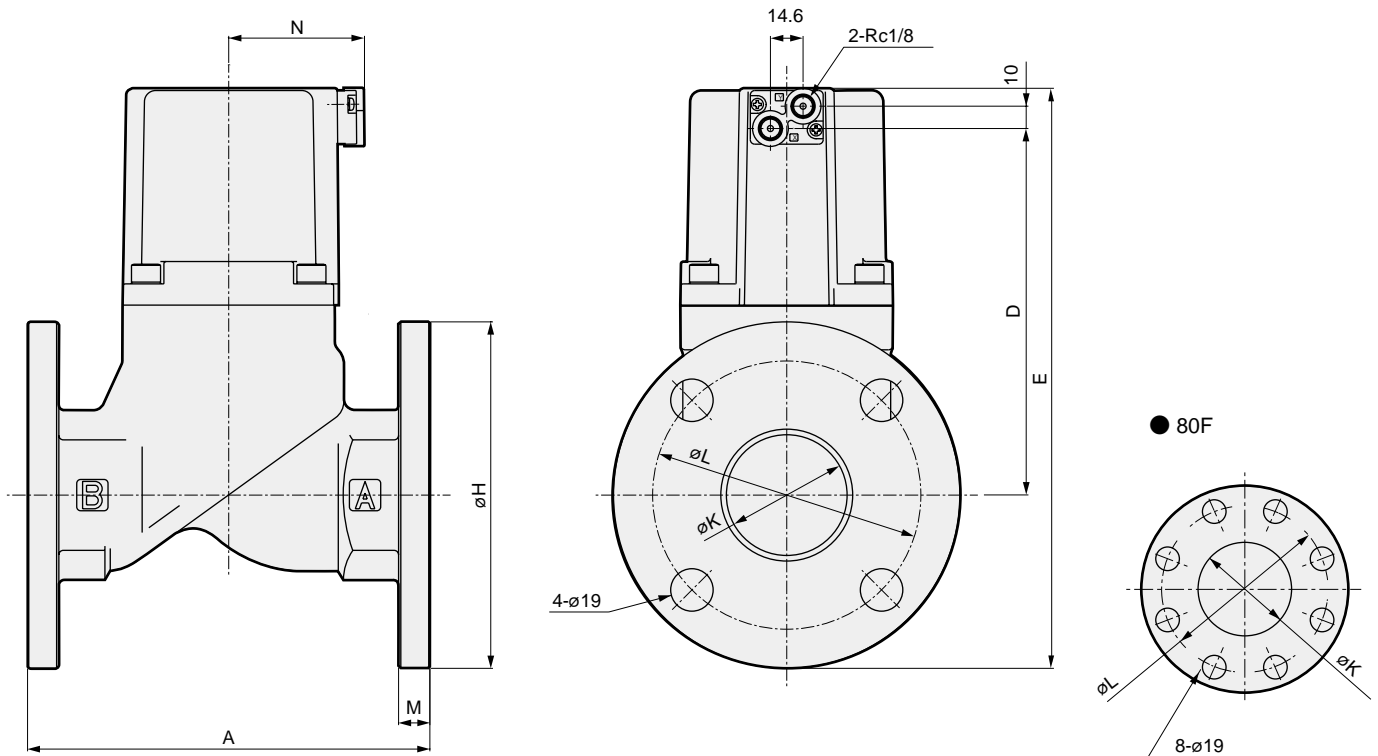


Model No.	A	B	C	D	E	F	G	N
SAB*A-8A/G/N	50	24	12	41.5	71.5	32	Rc1/4 / G1/4 / 1/4-18NPT	37(42)
SAB*A-10A/G/N							Rc3/8 / G3/8 / 3/8-18NPT	
SAB*A-15A/G/N	71	28	14.5	61.5	94	43	Rc1/2 / G1/2 / 1/2-14NPT	38(43)
SAB*A-20A/G/N	80	35	17.5	71	106.5	43	Rc3/4 / G3/4 / 3/4-14NPT	38(43)
SAB*A-25A/G/N	90	43	21	81.5	120.5	53	Rc1/G1/1-11.5NPT	41.5(46.5)
SAB*A-32A/G/N	125	55	27.5	109.5	155	63	Rc1 1/4 / G1 1/4 / 1 1/4-11.5 NPT	46(51)
SAB*A-40A/G/N	140	61	30.5	130.5	179	77	Rc1 1/2 / G1 1/2 / 1 1/2-11.5 NPT	53(58)
SAB*A-50A/G/N	160	76	38	164	220	95	Rc2/G2/2-11.5NPT	61(66)

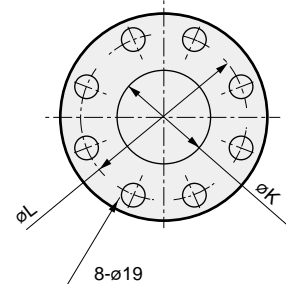
*1: () shows values for G thread.

Dimensions

● SAB*A-32F to 80F (flange)



● 80F

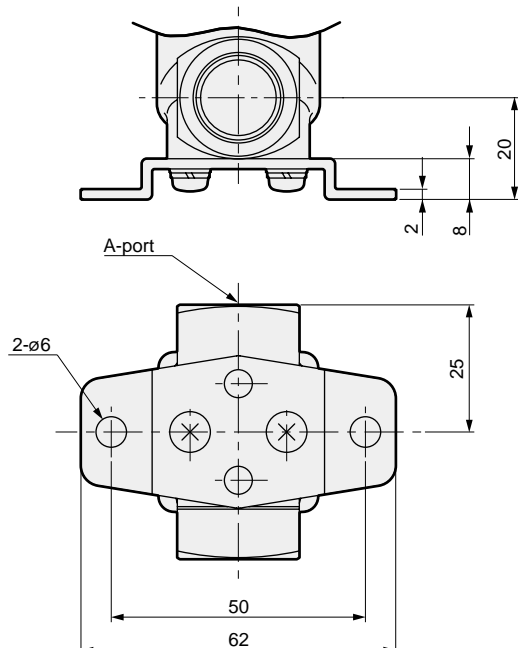


Model No.	A	D	E	H	K	L	M	N
SAB*A-32F	170	109.5	195	135	36	100	12	46
SAB*A-40F	180	130.5	218.5	140	42	105	12	53
SAB*A-50F	180	164	259.5	155	54	120	14	61
SAB*A-65F	210	199	347.5	175	68	140	16	101
SAB*A-80F	240	214	367.5	185	82	150	16	111

Optional dimensions

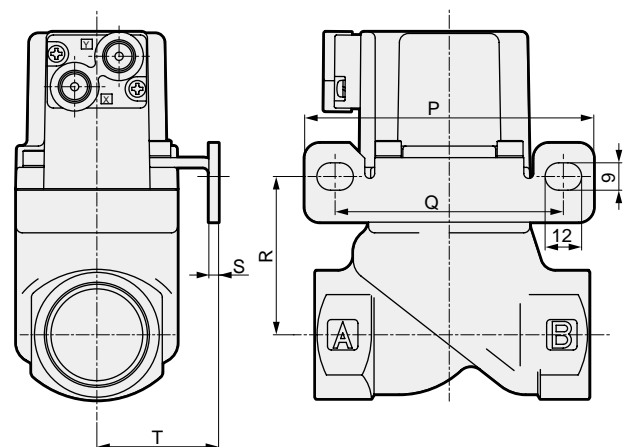
● Mounting plate
SAB*A-8*/10*-* **B**

Material: Steel
Zinc plated



● Mounting plate
SAB*A-15* to 32*-* **B** / **B-R**

Material: Steel
Zinc plated

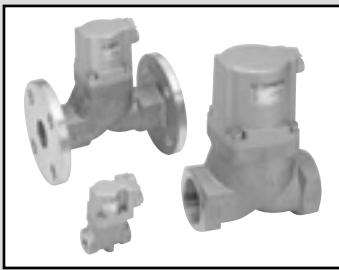


* The figure shows **B**.

Model No.	P	Q	R	S	T
SAB*A-15A/G/N	90	70	39	2.3	30
SAB*A-20A/G/N	90	70	48.5	2.3	30
SAB*A-25A/G/N	95	75	52	3.2	40
SAB*A-32A/G/N	105	85	66.5	3.2	45

* Use the body mounting screws if fixing without a mounting plate.
(Thread size: M4 depth 8 pitch 19)

- EXA
- FWD
- HNB/G
- USB/G
- FAB/G
- FGB/G
- FVB
- FWB/G
- FHB
- FLB
- AB
- AG
- AP/AD
- APK/ADK
- DryAir
- EX-XPLNprf
- XPLNprf
- HVB/HVL
- S†B/NAB**
- LAD/NAD**
- Water-Rela
- NP/NAP/NVP
- SNP
- CHB/G
- MXB/G
- Other valves
- SWD/MWD
- DustColl
- CVE/CVSE
- CCH/CPE/D
- LifeSci
- Gas-Combus
- Auto-Water
- Outdoor
- SpecFld
- Custom
- Ending



Air operated 2-port valve
(cylinder valve)

SAB*V Series

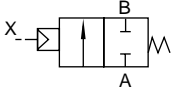
- NC, NO, double acting
- Port size: Rc1/4 to Rc2, 32 to 50 flange
- Working fluid: Low vacuum



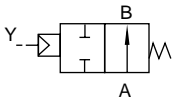
EXA
FWD
HNB/G
USB/G
FAB/G
FGB/G
FVB
FWB/G
FHB
FLB
AB
AG
AP/
AD
APK/
ADK
DryAir
EX-
XPLNprf
XPLNprf
HV/B/
HVL
S \updownarrow B/
NAB
LAD/
NAD
Water-
Rela
NP/NAP/
NVP
SNP
CHB/G
MXB/G
Other
valves
SWD/
MWD
DustColl
CVE/
CVSE
CCH/
CPE/D
LifeSci
Gas-
Combus
Auto-
Water
Outdoor
SpecFld
Custom
Ending

JIS symbol

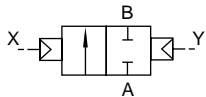
● NC



● NO



● Double acting



Common specifications

Item	SAB1V	SAB2V	SAB3V
Actuation	NC	NO	Double acting
Working fluid	Low vacuum (air, water) (*1)		
Working pressure Pa(abs)	1.3 x 10 ² to 7 x 10 ⁵ (refer to the working pressure in the individual specifications.)		
Proof pressure (water pressure) MPa	2.0 (≈290 psi, 20 bar)		
Fluid temperature °C	-10 (14°F) to 60 (140°F) (no freezing) (*2)		
Ambient temperature °C	-10 (14°F) to 60 (140°F)		
Valve seat leakage Pa·m ³ /s He	1.33 x 10 ⁻³ or less		
Pilot fluid	Air		
Mounting orientation	Unrestricted		

*1 : Refer to the working fluid check list on Intro Page 39.

*2 : -10 to 90°C for fluoro rubber seal (FKM).

Individual specifications

1 MPa ≈ 145.0 psi, 1 MPa = 10 bar

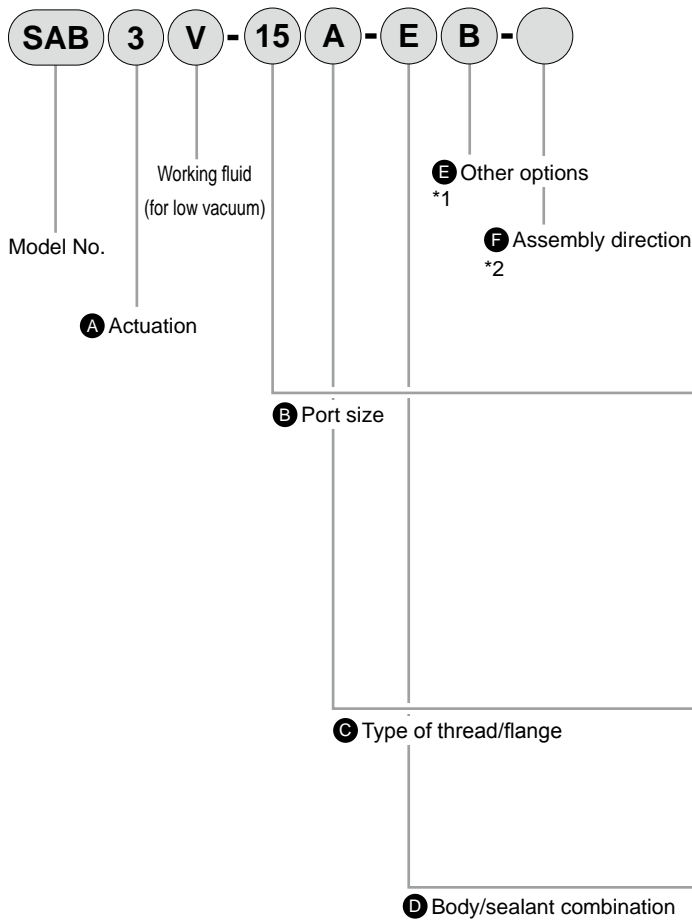
Item Model No.	Port size	Orifice size (mm)	C [dm ³ /(s·bar)]	b	S (mm ²)	Working pressure Pa (abs)			Pilot pressure (MPa)			Pilot port size	Weight (kg)		
						NC	NO	Double acting	NC	NO	Double acting		NC	NO	Double acting
SAB*V-8A	Rc1/4	10	8.9	0.4	-	1.3 × 10 ² to 7 × 10 ⁵	1.3 × 10 ² to 1 × 10 ⁶	0.35 to 0.7	(*1)	Rc1/8	0.3				
SAB*V-10A	Rc3/8	10	12	0.3	0.3										
SAB*V-15A	Rc1/2	15	-	-	0.6										
SAB*V-20A	Rc3/4	16	-	-	0.8										
SAB*V-25A	Rc1	20	-	-	1.1										
SAB*V-32A	Rc1 1/4	26	-	-	1.3 × 10 ² to 5 × 10 ⁵	1.3 × 10 ² to 1 × 10 ⁶	0.25 to 0.7	2.3 2.2 2.2							
SAB*V-32F	32 flange	26	-	-				5.3 5.2 5.2							
SAB*V-40A	Rc1 1/2	32	-	-				3.4 3.2 3.2							
SAB*V-40F	40 flange	32	-	-				6.5 6.3 6.3							
SAB*V-50A	Rc2	42	-	-	5.5 5.2 5										
SAB*V-50F	50 flange	42	-	-	9.4 9.1 8.9										

*1 : Refer to page 568 for the pilot air pressure for the NO and double acting.

*2 : Effective cross-sectional area S and sonic conductance C are converted as S ≈ 5.0 x C.

*3 : Female thread is available in G thread and NPT thread.

How to order



Code	Description		
A Actuation			
1	NC		
2	NO		
3	Double acting		
B Port size			
8	1/4		
10	3/8		
15	1/2		
20	3/4		
25	1		
32	1 1/4, 32 (Flange)		
40	1 1/2, 40 (Flange)		
50	2, 50 (Flange)		
C Type of thread/flange			
A	Rc(8A to 50A)		
F	Flange (32F to 50F)		
G	G(8G to 50G)		
N	NPT(8N to 50N)		
D Body/sealant combination			
		Body	Seal
0	Standard	Bronze	Nitrile rubber
B	Option	Bronze	Fluoro rubber
P		Bronze	Ethylene propylene rubber
D		Stainless steel	Nitrile rubber
E		Stainless steel	Fluoro rubber
R		Stainless steel	Ethylene propylene rubber
E Other options			
Blank	No option		
B	Mounting plate *2		
F Assembly direction			
Blank	No option		
R	Mounting plate assembly position reversed		

⚠ Precautions for model No. selection

- *1 : The mounting plate (Item **E** B) can be attached to only the female thread of port size 8 to 32.
- *2 : Reversed mounting plate (Item **F** B-R) is available for port size 15 to 32.
- *3 : Clockwise when viewed from above with the port A on the right.

[Example of model No.]

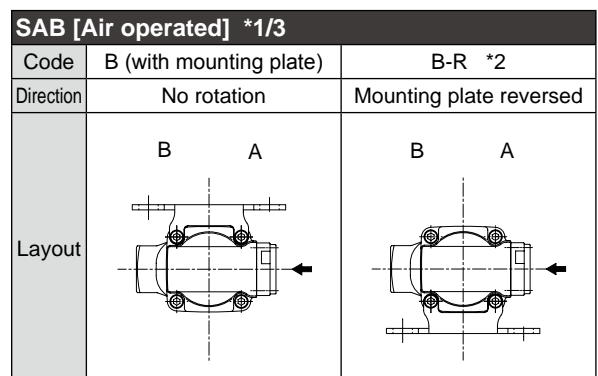
SAB3V-15A-EB

Model: SAB

- A** Actuation : Double acting
- B** Port size : 1/2
- C** Type of thread/flange : Rc
- D** Body/sealant combination : Body - stainless steel, sealant - fluoro rubber
- E** Other options : With mounting plate
- F** Assembly direction : No option

Refer to the figure below for the layout drawing.

Item **F** Assembly direction



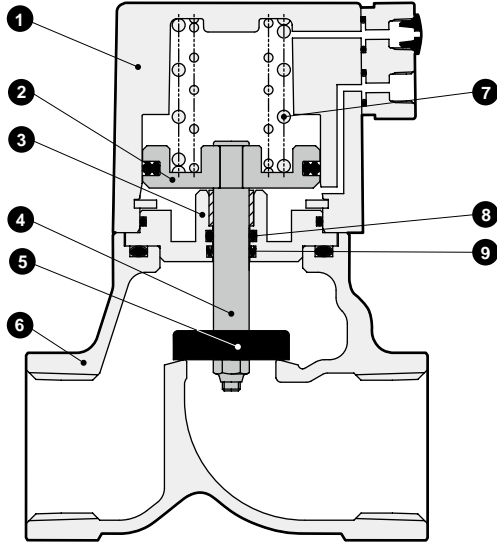
← shows pilot port IN.

- EXA
- FWD
- HNB/G
- USB/G
- FAB/G
- FGB/G
- FVB
- FWB/G
- FHB
- FLB
- AB
- AG
- AP/AD
- APK/ADK
- DryAir
- EX-XPLNprf
- XPLNprf
- HVB/HVL
- S[↑]B/[↓]NAB
- LAD/NAD
- Water-Rela
- NP/NAP/NVP
- SNP
- CHB/G
- MXB/G
- Other valves
- SWD/MWD
- DustColl
- CVE/CVSE
- CCH/CPE/D
- LifeSci
- Gas-Combus
- Auto-Water
- Outdoor
- SpecFld
- Custom
- Ending

- EXA
- FWD
- HNB/G
- USB/G
- FAB/G
- FGB/G
- FVB
- FWB/G
- FHB
- FLB
- AB
- AG
- AP/AD
- APK/ADK
- DryAir
- EX-XPLNprf
- XPLNprf
- HVB/HVL
- S \diamond B/NAB
- LAD/NAD
- Water-Rela
- NP/NAP/NVP
- SNP
- CHB/G
- MXB/G
- Other valves
- SWD/MWD
- DustColl
- CVE/CVSE
- CCH/CPE/D
- LifeSci
- Gas-Combus
- Auto-Water
- Outdoor
- SpecFld
- Custom
- Ending

Internal structure and parts list

● SAB1V



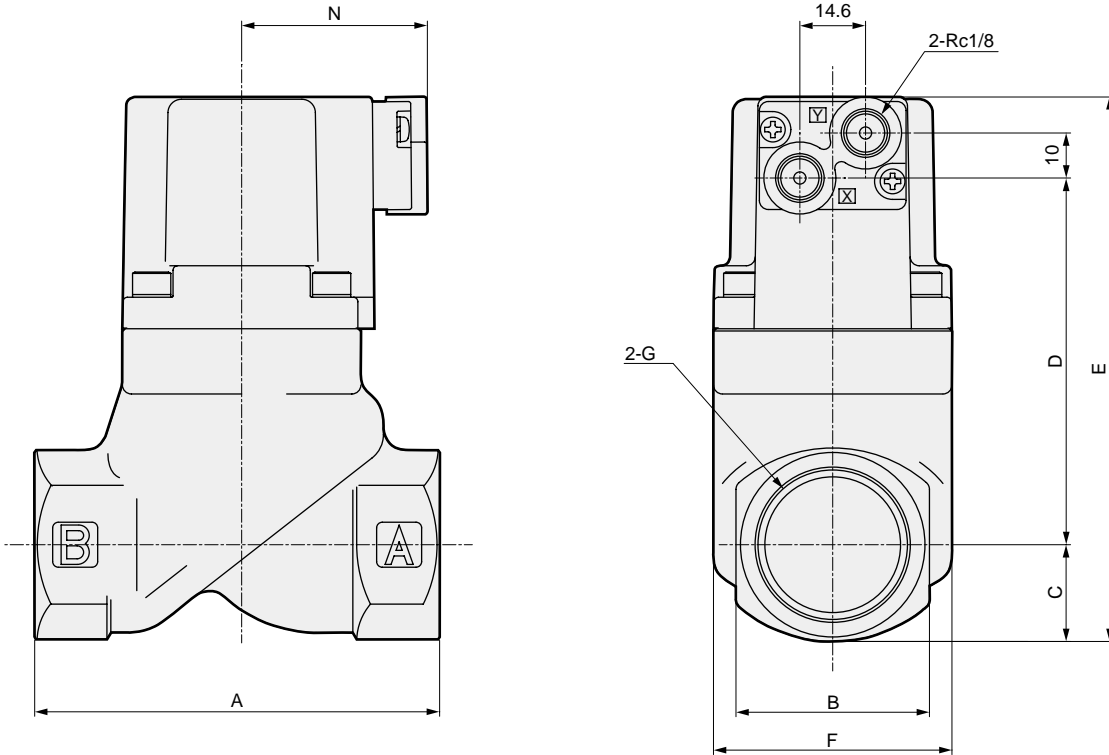
No.	Part name	Material	
1	Cylinder guard	ADC12	Aluminum die-casting
2	Piston	A2017	Aluminum
3	Adaptor	C3604(SUS304)	Copper alloy (stainless steel)
4	Piston rod	SUS304	Stainless steel
5	Main valving element	NBR(FKM, EPDM) SUS304	Nitrile rubber (fluoro rubber, ethylene propylene rubber) stainless steel
6	Body	CAC408(SCS13)	Bronze casting (stainless steel casting)
7	Spring	SWP	Piano wire
8	O-ring	NBR(FKM, EPDM)	NBR (FPM, EPM rubber)
9	MY packing	NBR(FKM, EPDM)	NBR (FPM, EPM rubber)

() shows options.

Dimensions



● SAB*V-8* to 50* (female thread)

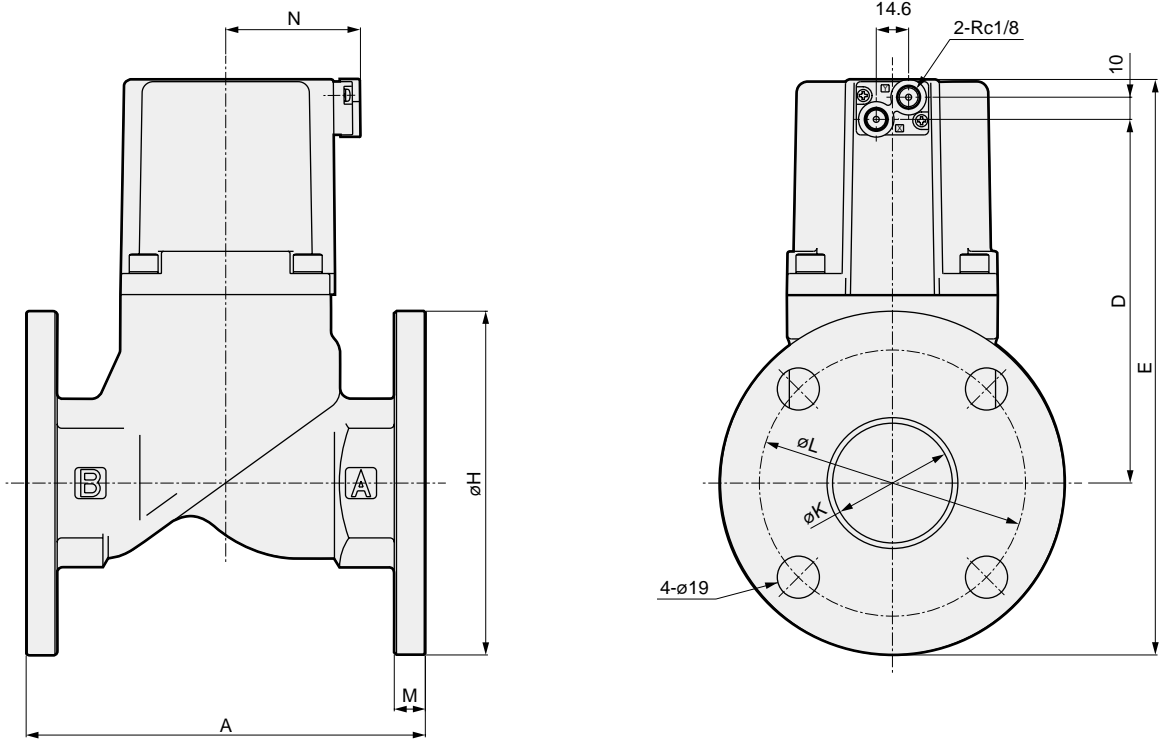


Model No.	A	B	C	D	E	F	G	N
SAB*V-8A/G/N	50	24	12	41.5	71.5	32	Rc1/4 / G1/4 / 1/4-18NPT	37(42)
SAB*V-10A/G/N							Rc3/8 / G3/8 / 3/8-18NPT	
SAB*V-15A/G/N	71	28	14.5	61.5	94	43	Rc1/2 / G1/2 / 1/2-14NPT	38(43)
SAB*V-20A/G/N	80	35	17.5	71	106.5	43	Rc3/4 / G3/4 / 3/4-14NPT	38(43)
SAB*V-25A/G/N	90	43	21	81.5	120.5	53	Rc1/G1/1-11.5NPT	41.5(46.5)
SAB*V-32A/G/N	125	55	27.5	109.5	155	63	Rc1 1/4 / G1 1/4 / 1 1/4-11.5 NPT	46(51)
SAB*V-40A/G/N	140	61	30.5	130.5	179	77	Rc1 1/2 / G1 1/2 / 1 1/2-11.5 NPT	53(58)
SAB*V-50A/G/N	160	76	38	164	220	95	Rc2/G2/2-11.5NPT	61(66)

*1: () shows values for G thread.


Dimensions

- SAB*V-32F to 50F (flange)


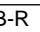


Model No.	A	D	E	H	K	L	M	N
SAB*V-32F	170	109.5	195	135	36	100	12	46
SAB*V-40F	180	130.5	218.5	140	42	105	12	53
SAB*V-50F	180	164	259.5	155	54	120	14	61

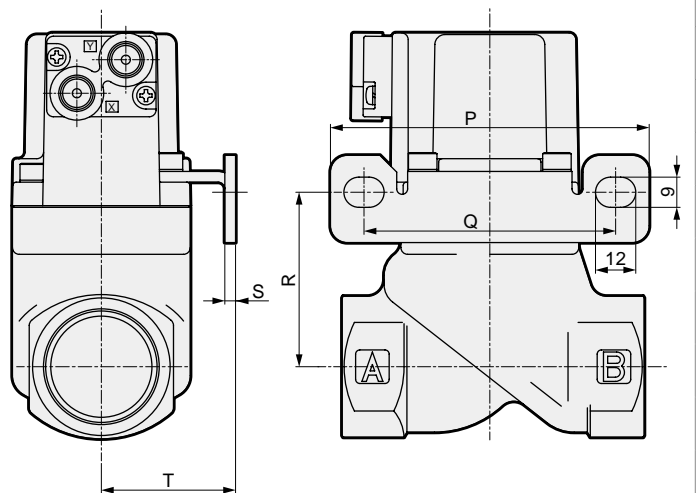
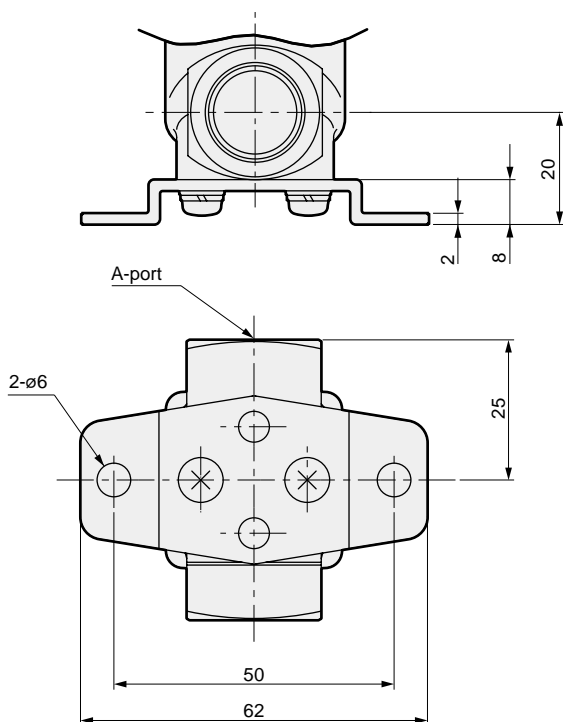
Optional dimensions

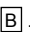
- Mounting plate SAB*V-8*/10*-* 

Material: Steel
Zinc plated

- Mounting plate SAB*V-15* to 32*-*  / 

Material Steel
Zinc plated

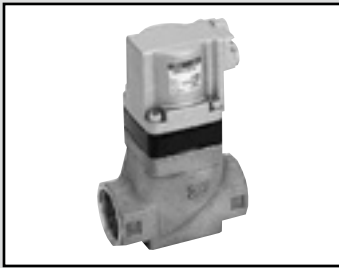


* The figure shows .

Model No.	P	Q	R	S	T
SAB*V-15A/G/N	90	70	39	2.3	30
SAB*V-20A/G/N	90	70	48.5	2.3	30
SAB*V-25A/G/N	95	75	52	3.2	40
SAB*V-32A/G/N	105	85	66.5	3.2	45

* Use the body mounting screws if fixing without a mounting plate.
(Thread size: M4 depth 8 pitch 19)

- EXA
- FWD
- HNB/G
- USB/G
- FAB/G
- FGB/G
- FVB
- FWB/G
- FHB
- FLB
- AB
- AG
- AP/AD
- APK/ADK
- DryAir
- EX-XPLNprf
- XPLNprf
- HVB/HVL
- S  B / NAB**
- LAD / NAD**
- Water-Rela
- NP/NAP/NVP
- SNP
- CHB/G
- MXB/G
- Other valves
- SWD/MWD
- DustColl
- CVE/ CVSE
- CCH/ CPE/D
- LifeSci
- Gas-Combus
- Auto-Water
- Outdoor
- SpecFld
- Custom
- Ending



Air operated 2-port valve
(cylinder valve)

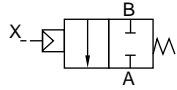
SAB*S Series

- NC, NO, double acting
- Port size: Rc1/4 to Rc2, 32 to 50 flange
- Working fluids: Steam, water, air

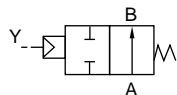


JIS symbol

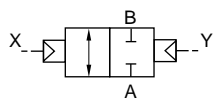
● NC



● NO



● Double acting



Common specifications

1 MPa = 10 bar

Item	SAB1S	SAB2S	SAB3S
Actuation	NC	NO	Double acting
Working fluid	Steam/water/air/non-corrosive liquid (*1)		
Fluid viscosity mm ² /s	500 or less		
Working pressure MPa	0 (≈0 psi, 0 bar) to 1 (≈150 psi, 10 bar)		
Proof pressure (water pressure) MPa	2.0 (≈290 psi, 20 bar)		
Fluid temperature °C	-10 (14°F) to 184 (363.2°F) (no freezing)		
Ambient temperature °C	-10 (14°F) to 90 (194°F)		
Valve seat leakage cm ³ /min	300 or less (at pneumatic pressure 0.02 to 1 MPa)		
Pilot fluid	Air		
Pilot pressure MPa	0.35 (≈51 psi) to 0.7 (≈100 psi)	Refer to page 568.	
Mounting orientation	Unrestricted		

*1: Refer to the working fluid check list on Intro Page 39.

Individual specifications

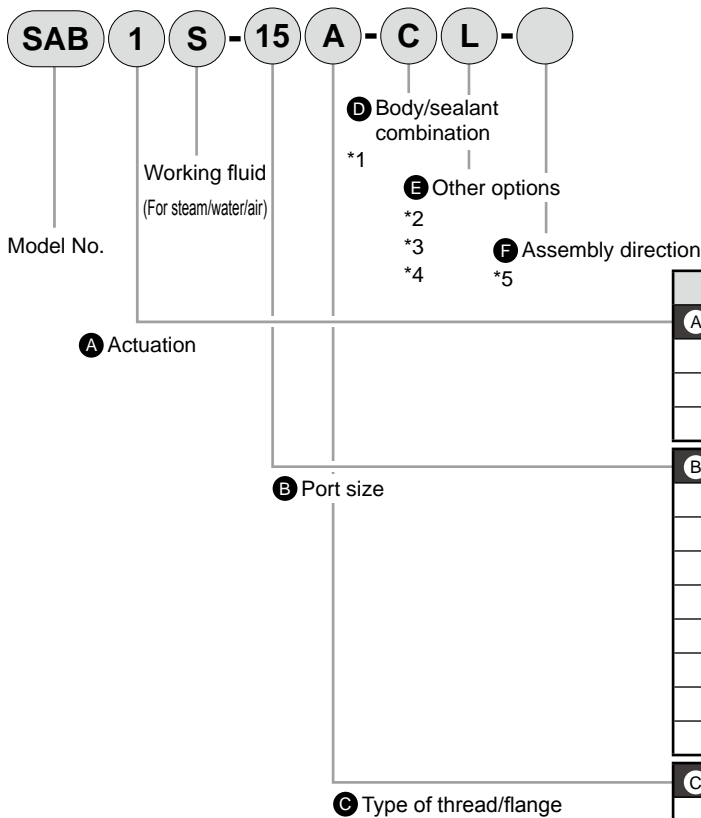
Item	Port size	Orifice size (mm)	C [dm ³ /(s·bar)]	b	S (mm ²)	Cv	Pilot port size	Weight (kg)
NC: Normally closed								
SAB1S-8A	Rc1/4	10	8.3	0.4	-	2.1	Rc1/8	0.3
SAB1S-10A	Rc3/8	10	11	0.4	-	2.5		0.3
SAB1S-15A	Rc1/2	15	-	-	120	5.5		0.6
SAB1S-20A	Rc3/4	16	-	-	150	7		0.8
SAB1S-25A	Rc1	20	-	-	240	11		1.1
SAB1S-32A	Rc1 1/4	26	-	-	390	18.5		2.2
SAB1S-32F	32 flange	26	-	-	390	18.5		5.2
SAB1S-40A	Rc1 1/2	32	-	-	610	29		3.2
SAB1S-40F	40 flange	32	-	-	610	29		6.3
SAB1S-50A	Rc2	42	-	-	920	43		5.2
SAB1S-50F	50 flange	42	-	-	920	43		9.1
NO: Normally open type								
SAB2S-8A	Rc1/4	10	8.9	0.4	-	2.3	Rc1/8	0.3
SAB2S-10A	Rc3/8	10	12	0.3	-	2.6		0.3
SAB2S-15A	Rc1/2	15	-	-	140	5.6		0.6
SAB2S-20A	Rc3/4	16	-	-	180	8		0.8
SAB2S-25A	Rc1	20	-	-	280	12		1.1
SAB2S-32A	Rc1 1/4	26	-	-	450	20		2.2
SAB2S-32F	32 flange	26	-	-	450	20		5.2
SAB2S-40A	Rc1 1/2	32	-	-	680	32		3.2
SAB2S-40F	40 flange	32	-	-	680	32		6.3
SAB2S-50A	Rc2	42	-	-	1020	50		5.2
SAB2S-50F	50 flange	42	-	-	1020	50		9.1
Double acting (*1)								
SAB3S-8A	Rc1/4	10	8.3(8.9)	0.4	-	2.1(2.3)	Rc1/8	0.3
SAB3S-10A	Rc3/8	10	11(12)	0.4(0.3)	-	2.5(2.6)		0.3
SAB3S-15A	Rc1/2	15	-	-	120(140)	5.5(5.6)		0.6
SAB3S-20A	Rc3/4	16	-	-	150(180)	7(8)		0.8
SAB3S-25A	Rc1	20	-	-	240(280)	11(12)		1.1
SAB3S-32A	Rc1 1/4	26	-	-	390(450)	18.5(20)		2.2
SAB3S-32F	32 flange	26	-	-	390(450)	18.5(20)		5.2
SAB3S-40A	Rc1 1/2	32	-	-	610(680)	29(32)		3.2
SAB3S-40F	40 flange	32	-	-	610(680)	29(32)		6.3
SAB3S-50A	Rc2	42	-	-	920(1020)	43(50)		5.2
SAB3S-50F	50 flange	42	-	-	920(1020)	43(50)		9.1

*1 : () of C, b and S columns of double acting shows the flow rates of when port A is pressurized.

*2 : Effective cross-sectional area S and sonic conductance C are converted as S ≈ 5.0 x C.

*3 : Female thread is available in G thread and NPT thread.

How to order



⚠ Precautions for model No. selection

- *1 : When the working fluid is steam, select C or E.
- *2 : The mounting plate (Item **E** B) can be attached to only the female thread of port size 8 to 32.
- *3 : Indicator (Item **E** L) can be attached to only the NC (actuation 1).
- *4 : To add both the mounting plate and indicator options, specify Item **E** as BL.
- *5 : Reversed mounting plate (Item **E** B-R) is available for port size 15 to 32.
- *6 : Clockwise when viewed from above with the port A on the right.

[Example of model No.]

SAB1S-15A-CL

Model: SAB

- A** Actuation : NC
- B** Port size : 1/2
- C** Type of thread/flange : Rc
- D** Body/sealant combination : Body - bronze, sealant - tetrafluoroethylene resin
- E** Other options : Indicator
- F** Assembly direction : No option

Code	Description
A Actuation	
1	NC
2	NO
3	Double acting

Code	Description
B Port size	
8	1/4
10	3/8
15	1/2
20	3/4
25	1
32	1 1/4, 32 (Flange)
40	1 1/2, 40 (Flange)
50	2, 50 (Flange)

Code	Description
C Type of thread/flange	
A	Rc(8A to 50A)
F	Flange (32F to 50F)
G	G(8G to 50G)
N	NPT(8N to 50N)

Code	Body	Seal	O-ring	Remarks
C	Bronze	Tetrafluoroethylene resin	Fluoro rubber	Steam/air/ water
E	Stainless steel	Tetrafluoroethylene resin	Fluoro rubber	
F	Stainless steel	Tetrafluoroethylene resin	Tetrafluoroethylene resin	Solvent-based

Code	Description
E Other options	
Blank	No option
B	Mounting plate *2
L	With indicator

Code	Description
F Assembly direction	
Blank	No option
R	Mounting plate assembly position reversed

Refer to the figure below for the layout drawing.

Item **F** Assembly direction

SAB [Air operated] *2/6		
Code	B (with mounting plate)	B-R *5
Direction	No rotation	Mounting plate reversed
Layout		

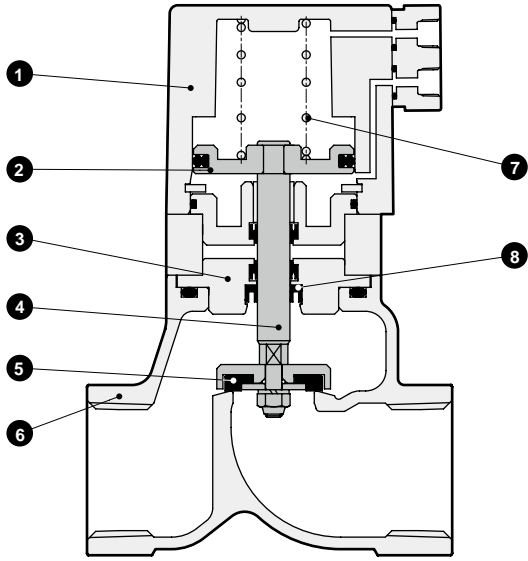
← shows pilot port IN.

- EXA
- FWD
- HNB/G
- USB/G
- FAB/G
- FGB/G
- FVB
- FWB/G
- FHB
- FLB
- AB
- AG
- AP/AD
- APK/ADK
- DryAir
- EX-XPLNprf
- XPLNprf
- HVB/HVL
- S†B/NAB
- LAD/NAD
- Water-Rela
- NP/NAP/NVP
- SNP
- CHB/G
- MXB/G
- Other valves
- SWD/MWD
- DustColl
- CVE/CVSE
- CCH/CPE/D
- LifeSci
- Gas-Combus
- Auto-Water
- Outdoor
- SpecFld
- Custom
- Ending

- EXA
- FWD
- HNB/G
- USB/G
- FAB/G
- FGB/G
- FVB
- FWB/G
- FHB
- FLB
- AB
- AG
- AP/AD
- APK/ADK
- DryAir
- EX-XPLNprf
- XPLNprf
- HVB/HVL
- S \updownarrow B/NAB
- LAD/NAD
- Water-Rela
- NP/NAP/NVP
- SNP
- CHB/G
- MXB/G
- Other valves
- SWD/MWD
- DustColl
- CVE/CVSE
- CCH/CPE/D
- LifeSci
- Gas-Combus
- Auto-Water
- Outdoor
- SpecFld
- Custom
- Ending

Internal structure and parts list

● SAB1S



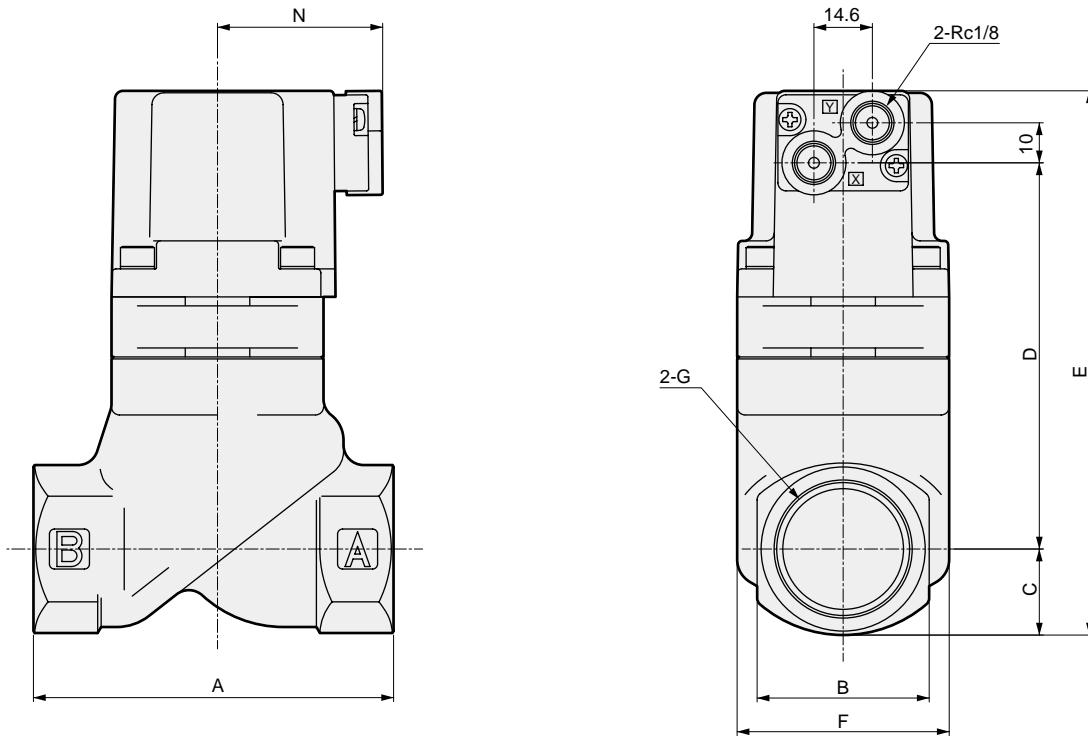
No.	Part name	Material	
1	Cylinder guard	ADC12	Aluminum die-casting
2	Piston	A2017	Aluminum
3	Adaptor	C3604(SUS304)	Copper alloy (stainless steel)
4	Piston rod	SUS304	Stainless steel
5	Main valving element	PTFE	Tetrafluoroethylene resin
6	Body	CAC408(SCS13)	Bronze casting (stainless steel casting)
7	Spring	SWP	Piano wire
8	Rod packing	PTFE	Tetrafluoroethylene resin

() shows options.

Dimensions



● SAB*S-8* to 50* (female thread)

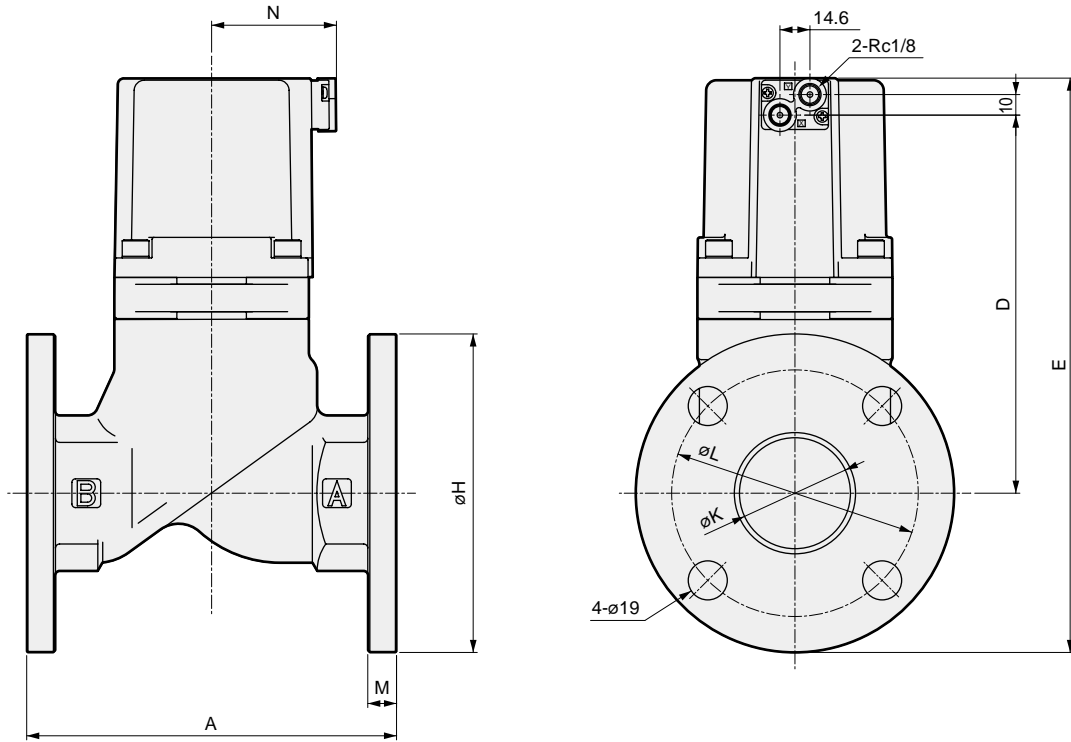


Model No.	A	B	C	D	E	F	G	N
SAB*S-8A/G/N	50	24	12	52.5	82.5	32	Rc1/4 / G1/4 / 1/4-18NPT	37(42)
SAB*S-10A/G/N							Rc3/8 / G3/8 / 3/8-18NPT	
SAB*S-15A/G/N	71	28	14.5	77.5	110	43	Rc1/2 / G1/2 / 1/2-14NPT	38(43)
SAB*S-20A/G/N	80	35	17.5	87	122.5	43	Rc3/4 / G3/4 / 3/4-14NPT	38(43)
SAB*S-25A/G/N	90	43	21	98	137	53	Rc1/G1/1-11.5NPT	41.5(46.5)
SAB*S-32A/G/N	125	55	27.5	124.5	170	63	Rc1 1/4 / G1 1/4 / 1 1/4-11.5 NPT	46(51)
SAB*S-40A/G/N	140	61	30.5	150.5	199	77	Rc1 1/2 / G1 1/2 / 1 1/2-11.5 NPT	53(58)
SAB*S-50A/G/N	160	76	38	184	240	95	Rc2/G2/2-11.5NPT	61(66)

*1: () shows values for G thread.

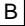
Dimensions

- SAB*S-32F to 50F (flange)

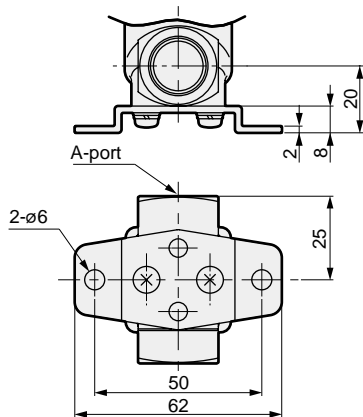


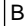

Model No.	A	D	E	H	K	L	M	N
SAB*S-32F	170	124.5	210	135	36	100	12	46
SAB*S-40F	180	150.5	238.5	140	42	105	12	53
SAB*S-50F	180	184	279.5	155	54	120	14	61

Optional dimensions

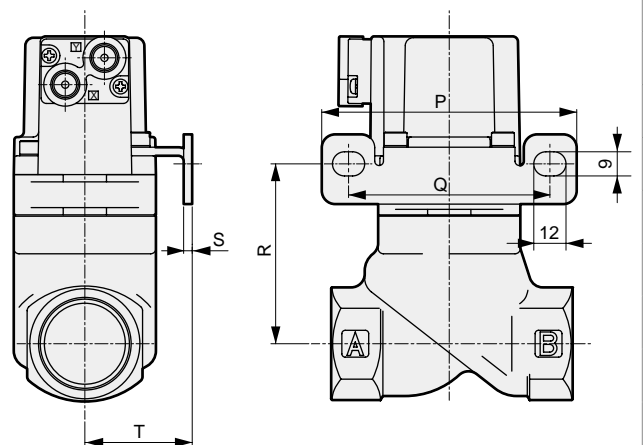
- Mounting plate SAB*S-8*/10*-* 


Material: Steel
Zinc plated

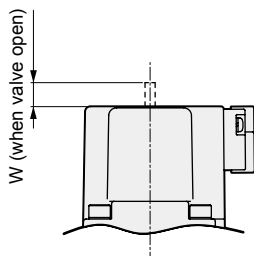


- Mounting plate SAB*S-15* to 32*-*  / 


Material: Steel
Zinc plated



- Indicator SAB1S-8* to 50*-* 

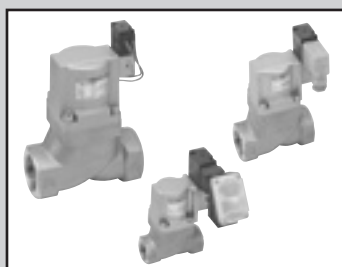


Model No.	W
SAB1S-8A/G/N	4
SAB1S-10A/G/N	4
SAB1S-15A/G/N	6.5
SAB1S-20A/G/N	6.5
SAB1S-25A/G/N	7
SAB1S-32A/G/N/F	8
SAB1S-40A/G/N/F	10.5
SAB1S-50A/G/N/F	13

* The figure shows .

Model No.	P	Q	R	S	T
SAB*S-15A/G/N	90	70	55	2.3	30
SAB*S-20A/G/N	90	70	64.5	2.3	30
SAB*S-25A/G/N	95	75	68.5	3.2	40
SAB*S-32A/G/N	105	85	81.5	3.2	45

EXA
FWD
HNB/G
USB/G
FAB/G
FGB/G
FVB
FWB/G
FHB
FLB
AB
AG
AP/
AD
APK/
ADK
DryAir
EX-
XPLNprf
XPLNprf
HVB/
HVL
**S  B/
NAB**
LAD/
NAD
Water-
Rela
NP/NAP/
NVP
SNP
CHB/G
MXB/G
Other valves
SWD/
MWD
DustColl
CVE/
CVSE
CCH/
CPE/D
LifeSci
Gas-
Combus
Auto-
Water
Outdoor
SpecFld
Custom
Ending



Air operated 2-port valve with solenoid valve
(cylinder valve)

SVB*W Series

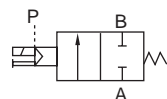
- NC (open when energized), NO (closed when energized)
- Port size: Rc1/4 to Rc2, 32 to 80 flange
- Working fluids: Water, non-corrosive liquid



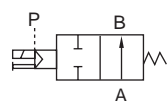
- EXA
- FWD
- HNB/G
- USB/G
- FAB/G
- FGB/G
- FVB
- FWB/G
- FHB
- FLB
- AB
- AG
- AP/
AD
- APK/
ADK
- DryAir
- EX-
XPLNprf
- XPLNprf
- HVB/
HVL
- S♦B/
NAB**
- LAD/
NAD
- Water-
Rela
- NP/NAP/
NVP
- SNP
- CHB/G
- MXB/G
- Other
valves
- SWD/
MWD
- DustColl
- CVB/
CVSE
- CCH/
CPE/D
- LifeSci
- Gas-
Combus
- Auto-
Water
- Outdoor
- SpecFld
- Custom
- Ending

JIS symbol

- NC (Open when energized)



- NO (Closed when energized)



Common specifications

Item	SVB1W	SVB2W
Actuation	NC (open when energized)	NO (closed when energized)
Working fluid	Water/non-corrosive liquid (*1)	
Fluid viscosity mm ² /s	500 or less	
Working pressure MPa	0 to 0.7 (*2)	0 to 1
Proof pressure (water pressure) MPa	2.0	
Fluid temperature °C	-10 to 60 (no freezing)	
Ambient temperature °C	-10 to 60	
Valve seat leakage cm ³ /min	0 (water pressure)	
Mounting orientation	Unrestricted	
Pilot fluid	Air	
Water hammer value (reference) MPa	1 or less (pursuant to the Water Supply Act)	

*1 : Refer to the working fluid check list on Intro Page 39.

*2 : Note that this differs with the type, so refer to the working pressure in the individual specifications.

Electrical specifications

Rated voltage	100 VAC (50/60 Hz) / 110 VAC (60 Hz), 200 VAC (50/60 Hz) / 220 VAC (60 Hz), 24 VDC	
Apparent power(VA)	When holding	3.6 (50Hz), 2.8 (60Hz)
	When starting	11 (50Hz), 9 (60Hz)
Power consumption (W)	AC	1.9 (50Hz), 1.5 (60Hz)
	DC	2.0
Thermal class	Class 130 (B)	
Degree of protection (IEC standards 529)	Grommet lead wire	IPX2
	With DIN terminal box (Pg9)	IPX5
	With T type terminal box (G1/2)	IPX5

*1: Use the product within ±10% of the rated voltage.

Individual specifications

Item Model No.	Port size	Orifice size (mm)	Cv	Working pressure (MPa)		Pilot pressure (MPa)		Pilot port size	Weight (kg)	
				NC	NO	NC	NO		NC	NO
				1 MPa = 10 bar						
SVB*W-8A	Rc1/4	10	2.3	0 (≈0 psi) to 0.7 (≈100 psi)	0 (≈0 psi) to 1 (≈150 psi)	0.35 (≈51 psi) to 0.7 (≈100 psi)	(*1)	Rc1/8	0.5	
SVB*W-10A	Rc3/8	10	2.6						0.5	
SVB*W-15A	Rc1/2	15	5.6						0.8	
SVB*W-20A	Rc3/4	16	8						1	
SVB*W-25A	Rc1	20	12						1.3	
SVB*W-32A	Rc1 1/4	26	20	0 (≈0 psi) to 0.5 (≈73 psi)	0 (≈0 psi) to 1 (≈150 psi)	0.25 (≈36 psi) to 0.7 (≈100 psi)	(*1)	Rc1/8	2.5	2.4
SVB*W-32F	32 flange	26	20						5.5	5.4
SVB*W-40A	Rc1 1/2	32	32						3.6	3.4
SVB*W-40F	40 flange	32	32						6.7	6.5
SVB*W-50A	Rc2	42	50						5.7	5.4
SVB*W-50F	50 flange	42	50						9.6	9.3
SVB*W-65F(*2)	65 flange	65	70						20.5	19
SVB*W-80F(*2)	80 flange	79	100						25	23

- *1 : Refer to page 568 for pilot air pressure for the NO.
 *2 : Port sizes 65 flange/80 flange are made-to-order products.
 *3 : Female thread is available in G thread and NPT thread.

EXA
FWD
HNB/G
USB/G
FAB/G
FGB/G
FVB
FWB/G
FHB
FLB
AB
AG
AP/ AD
APK/ ADK
DryAir
EX- XPLNprf
XPLNprf
HVB/ HVL
S ↑ B / NAB
LAD / NAD
Water- Rela
NP/NAP/ NVP
SNP
CHB/G
MXB/G
Other valves
SWD/ MWD
DustColl
CVE/ CVSE
CCH/ CPE/D
LifeSci
Gas- Combus
Auto- Water
Outdoor
SpecFld
Custom
Ending

How to order

● With solenoid valve



Model No.	A Actuation			
	B Port size			
	C Type of thread/flange			
	D Body/sealant combination *1			
	E Coil			

⚠ Precautions for model No. selection

- *1 : The body/sealant combination code is O or B for port size 65F and 80F. Note that the body is made of cast iron.
- *2 : The mounting plate (Item **F**) can be attached to only the female thread of port size 8 to 32.
- *3 : To add both the surge suppressor and mounting plate options, specify **F** as SB.
- *4 : The surge suppressor is attached with the lead wire coil. When selecting a coil with a terminal box, the surge suppressor is mounted in the terminal box.
- *5 : Manual override (non-locking) is provided as standard.
- *6 : Assembly direction option can be selected for 8 to 50 only.

[Example of model No.]
SVB1W-15A-B2GS-AC100V

- Model: SVB
- A** Actuation : NC (open when energized)
 - B** Port size : 1/2
 - C** Type of thread/flange : Rc
 - D** Body/sealant combination : Body - bronze, sealant - fluoro rubber
 - E** Coil : With DIN terminal box (Pg9)
 - F** Other options : With surge suppressor
 - G** Assembly direction : No option
 - H** Voltage : 100 VAC 50/60 Hz, 110 VAC 60 Hz

Code	Description
A Actuation	
1	NC (Open when energized)
2	NO (Closed when energized)

B Port size	
8	1/4
10	3/8
15	1/2
20	3/4
25	1
32	1 1/4, 32 (Flange)
40	1 1/2, 40 (Flange)
50	2, 50 (Flange)
65	65 (Flange)(Made-to-order product)
80	80 (Flange)(Made-to-order product)

C Type of thread/flange	
A	Rc (8A to 50A)
F	Flange (32F to 80F)
G	G (8G to 50G)
N	NPT (8N to 50N)

D Body/sealant combination			
		Body	Seal
O	Standard	Bronze	Nitrile rubber
B	Option	Bronze	Fluoro rubber
P		Bronze	Ethylene propylene rubber
D		Stainless steel	Nitrile rubber
E		Stainless steel	Fluoro rubber
R		Stainless steel	Ethylene propylene rubber

E Coil		
2C	Standard	Grommet lead wire
2G	Option	With DIN terminal box (Pg9)
2H		DIN terminal box with lamp (Pg9)
3T		With T type terminal box (G1/2)
3R		T type terminal box with lamp (G1/2)

F Other options	
Blank	No option
S	With surge suppressor
B	Mounting plate *2

G Assembly direction	
Blank	No option
X	Cylinder cover rotated 90°
Y	Cylinder cover rotated 180°
Z	Cylinder cover rotated 270°
R	Coil reversed 180° (with solenoid valve) Mounting plate/coil reversed 180° (with solenoid valve)

Refer to page 525 for the layout drawing.

H Voltage	
AC100V	100 VAC 50/60 Hz 110 VAC 60 Hz
AC200V	200 VAC 50/60 Hz 220 VAC 60 Hz
DC24V	24 VDC

Item ③ Assembly direction

SVB [With solenoid valve] *7					
Code	Blank (standard)	X *6	Y *6	Z *6	R *6
Direction	No rotation	Cylinder cover rotated 90°	Cylinder cover rotated 180°	Cylinder cover rotated 270°	Coil reversed
Layout					

SVB [With solenoid valve] *2/7					
Code	B (with mounting plate)	B-X *6	B-Y *6/8	B-Z *6/8	B-R *6/9
Direction	No rotation	Cylinder cover rotated 90°	Cylinder cover rotated 180° Mounting plate reversed	Cylinder cover rotated 270° Mounting plate reversed	Coil reversed Mounting plate reversed
Layout					

*7 : Clockwise angle when viewed from above with the port A on the right.

*8 : The mounting plate will be reversed 180° and attached.

*9 : The mounting plate for port size 10A is installed at the bottom, so only the coil position is reversed.

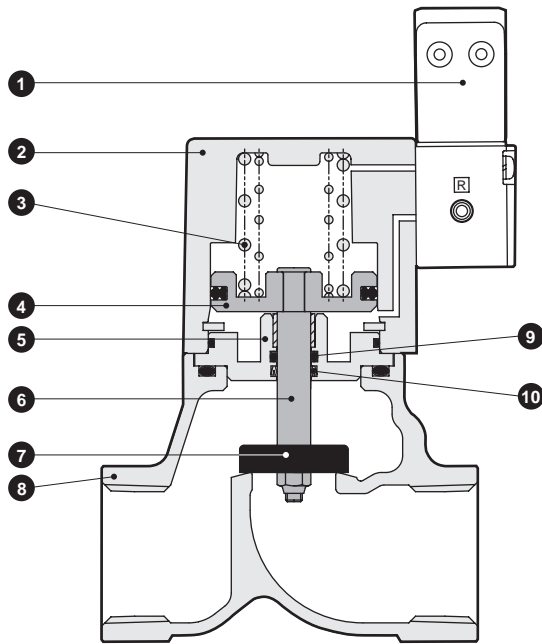
← shows pilot port IN.

EXA
FWD
HNB/G
USB/G
FAB/G
FGB/G
FVB
FWB/G
FHB
FLB
AB
AG
AP/ AD
APK/ ADK
DryAir
EX- XPLNprf
XPLNprf
HVB/ HVL
S↕B/ NAB
LAD/ NAD
Water- Rela
NP/NAP/ NVP
SNP
CHB/G
MXB/G
Other valves
SWD/ MWD
DustColl
CVE/ CVSE
CCH/ CPE/D
LifeSci
Gas- Combus
Auto- Water
Outdoor
SpecFld
Custom
Ending

- EXA
- FWD
- HNB/G
- USB/G
- FAB/G
- FGB/G
- FVB
- FWB/G
- FHB
- FLB
- AB
- AG
- AP/AD
- APK/ADK
- DryAir
- EX-XPLNprf
- XPLNprf
- HVB/HVL
- S◇B/NAB**
- LAD/NAD
- Water-Rela
- NP/NAP/NVP
- SNP
- CHB/G
- MXB/G
- Other valves
- SWD/MWD
- DustColl
- CVE/CVSE
- CCH/CPE/D
- LifeSci
- Gas-Combus
- Auto-Water
- Outdoor
- SpecFld
- Custom
- Ending

Internal structure and parts list

● SVB1W



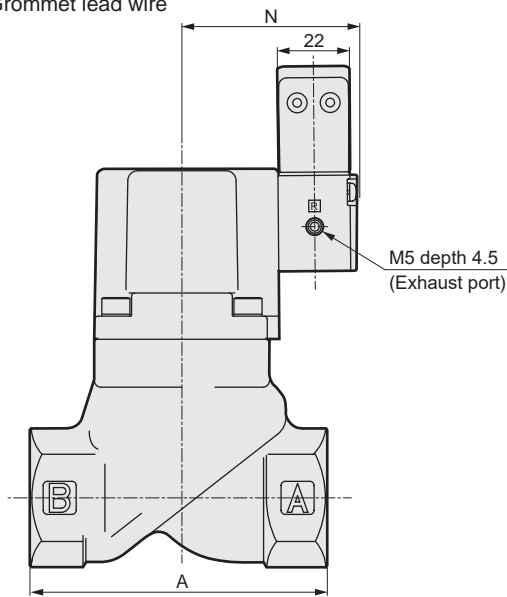
No.	Part name	Material	
1	Pilot solenoid valve	-	-
2	Cylinder guard	ADC12	Aluminum die-casting
3	Spring	SWP	Piano wire
4	Piston	A2017	Aluminum
5	Adaptor	C3604(SUS304)	Copper alloy (stainless steel)
6	Piston rod	SUS304	Stainless steel
7	Main valving element	NBR(FKM, EPDM) SUS304	Nitrile rubber (fluoro rubber, ethylene propylene rubber) stainless steel
8	Body	CAC408(SCS13)	Bronze casting (stainless steel casting)
9	O-ring	NBR(FKM, EPDM)	NBR (FPM, EPM rubber)
10	MY packing	NBR(FKM, EPDM)	NBR (FPM, EPM rubber)

*1 : () shows options.

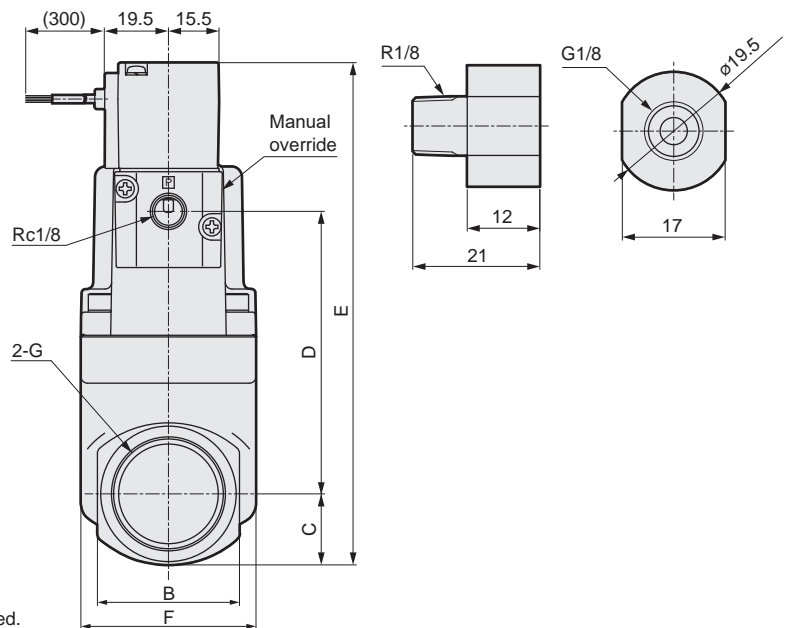
*2 : For 65F and 80F, the body is FC250 (cast iron), and the main valving element material is FKM.

Dimensions

- SVB*W-8* to 50F-*2C (female thread)
Grommet lead wire



- G thread conversion connector

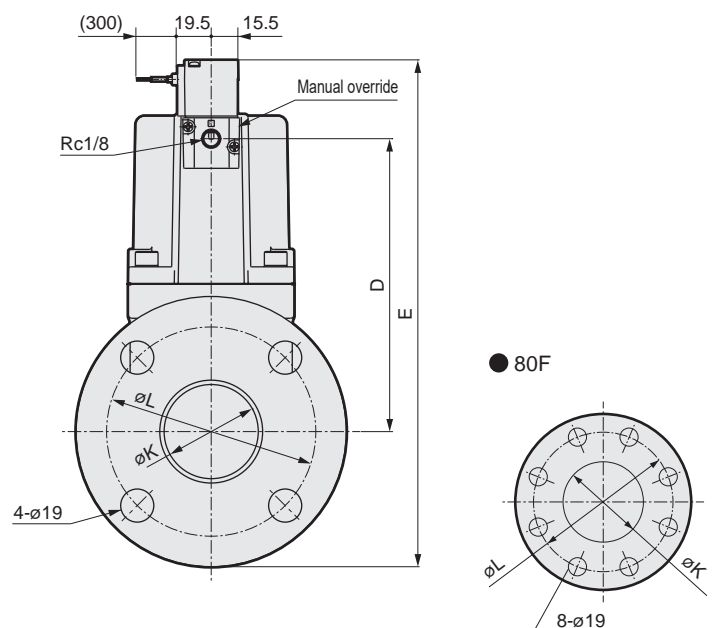
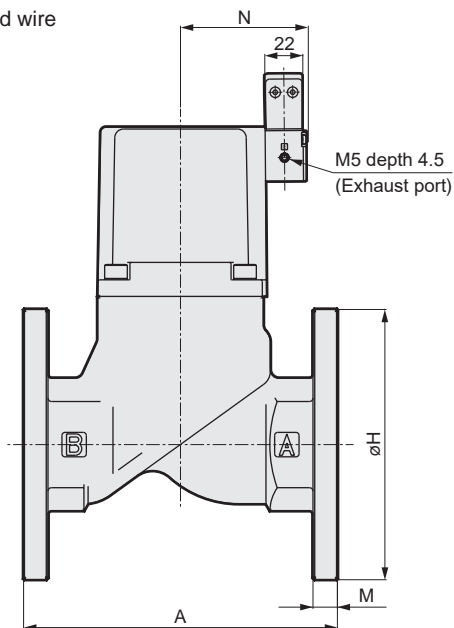


* The figure shows the unit with no assembly direction option selected.

Model No.	A	B	C	D	E	F	G	N
SVB*W-8A/G/N	50	24	12	45.5	102.5	32	Rc1/4 / G1/4 / 1/4-18NPT	48.5
SVB*W-10A/G/N							Rc3/8 / G3/8 / 3/8-18NPT	
SVB*W-15A/G/N	71	28	14.5	65.5	125	43	Rc1/2 / G1/2 / 1/2-14NPT	49.5
SVB*W-20A/G/N	80	35	17.5	75	137.5	43	Rc3/4 / G3/4 / 3/4-14NPT	49.5
SVB*W-25A/G/N	90	43	21	85.5	151.5	53	Rc1/G1/1-11.5NPT	53
SVB*W-32A/G/N	125	55	27.5	113.5	186	63	Rc1 1/4 / G1 1/4 / 1 1/4-11.5 NPT	57.5
SVB*W-40A/G/N	140	61	30.5	134.5	210	77	Rc1 1/2 / G1 1/2 / 1 1/2-11.5 NPT	64.5
SVB*W-50A/G/N	160	76	38	168	251	95	Rc2/G2/2-11.5NPT	72.5

*1: For G thread, a G thread conversion connector is inserted to port P.

- SVB*W-32F to 80F-*2C (flange)
Grommet lead wire



* The figure shows the unit with no assembly direction option selected.

Model No.	A	D	E	H	K	L	M	N
SVB*W-32F	170	113.5	226	135	36	100	12	57.5
SVB*W-40F	180	134.5	249.5	140	42	105	12	64.5
SVB*W-50F	180	168	291	155	54	120	14	72.5
SVB*W-65F	210	203	347.5	175	68	140	16	113
SVB*W-80F	240	218	367.5	185	82	150	16	123

EXA
FWD
HNB/G
USB/G
FAB/G
FGB/G
FVB
FWB/G
FHB
FLB
AB
AG
AP/AD
APK/ADK
DryAir
EX-XPLNprf
XPLNprf
HVB/HVL
S/B/NAB
LAD/NAD
Water-Rela
NP/NAP/NVP
SNP
CHB/G
MXB/G
Other valves
SWD/MWD
DustColl
CVE/CVSE
CCH/CPE/D
LifeSci
Gas-Combust
Auto-Water
Outdoor
SpecFld
Custom
Ending



Optional dimensions

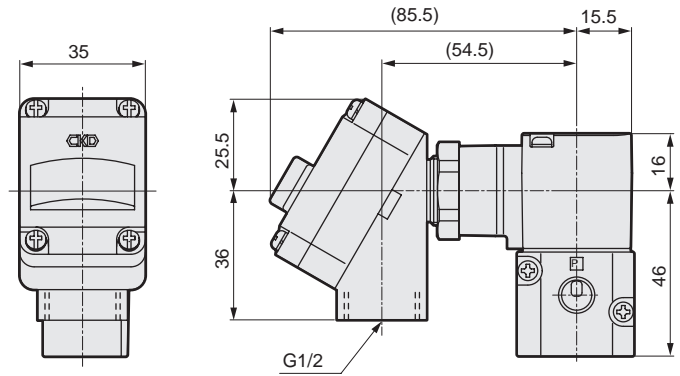
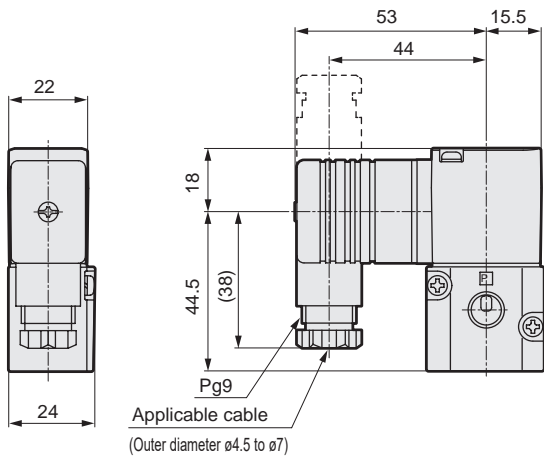
EXA
FWD
HNB/G
USB/G
FAB/G
FGB/G
FVB
FWB/G
FHB
FLB
AB
AG
AP/AD
APK/ADK
DryAir
EX-XPLNprf
XPLNprf
HVB/HVL
S∇B/NAB
LAD/NAD
Water-Rela
NP/NAP/NVP
SNP
CHB/G
MXB/G
Other valves
SWD/MWD
DustColl
CVE/CVSE
CCH/CPE/D
LifeSci
Gas-Combus
Auto-Water
Outdoor
SpecFld
Custom
Ending

● With DIN terminal box (Pg9) DIN terminal box with lamp (Pg9)

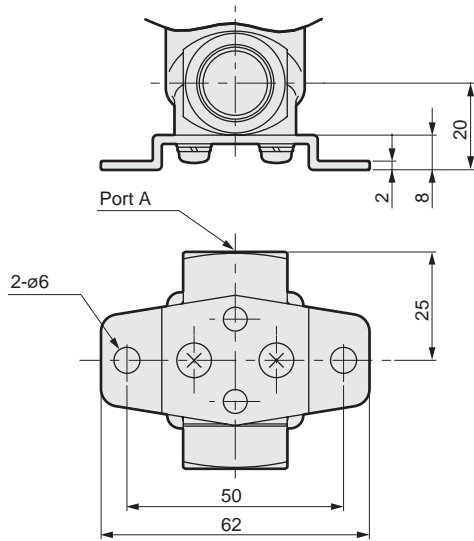
SVB*W-*.* 2G
2H

● With T type terminal box (G1/2) T type terminal box with lamp (G1/2)

SVB*W-*.* 3T
3R



● Mounting plate
SVB*W-8*/10*-*.* B Material: Steel Zinc plated



*Use the body mounting screw when fixing without a mounting plate.
(Thread size: M4 depth 8 pitch 19)

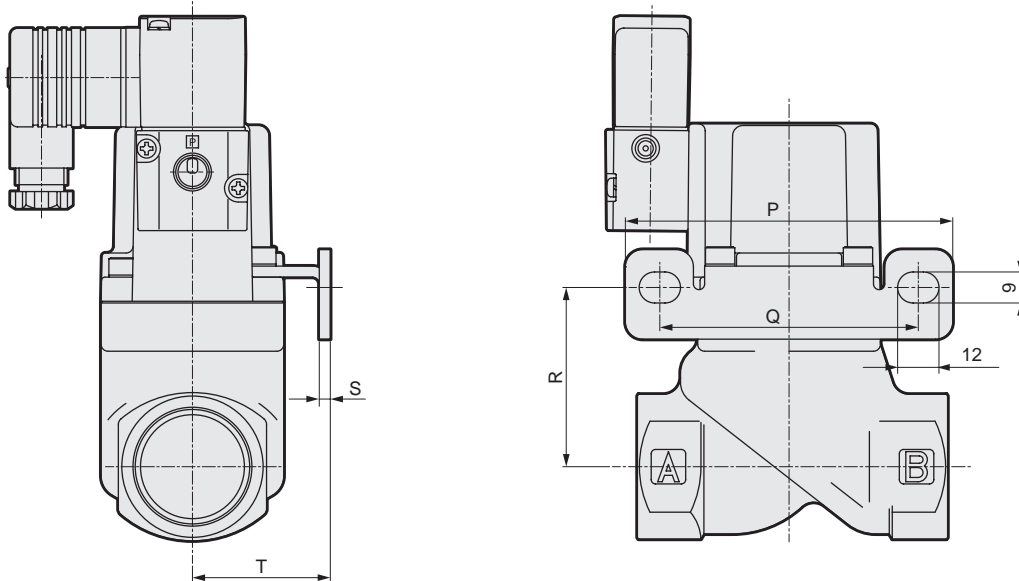
Optional dimensions



● Mounting plate

SVB*W-15* to 32*-** **B** / **B-R** / **B-Y**

Material: Steel
Zinc plated

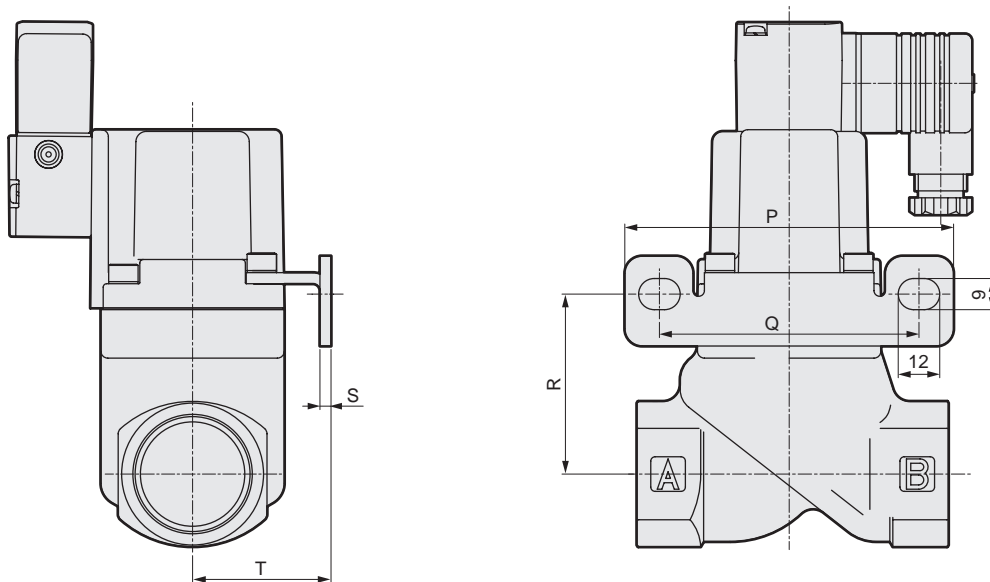


* The figure shows **B**.

● Mounting plate

SVB*W-15* to 32*-** **B-X** / **B-Z**

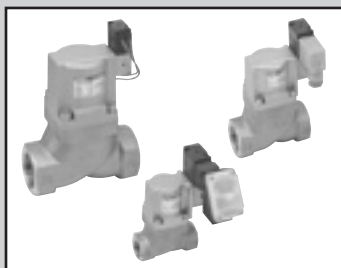
Material: Steel
Zinc plated



* The figure shows **B-X**.

Model No.	P	Q	R	S	T
SVB*W-15A/G/N	90	70	39	2.3	30
SVB*W-20A/G/N	90	70	48.5	2.3	30
SVB*W-25A/G/N	95	75	52	3.2	40
SVB*W-32A/G/N	105	85	66.5	3.2	45

EXA
FWD
HNB/G
USB/G
FAB/G
FGB/G
FVB
FWB/G
FHB
FLB
AB
AG
AP/ AD
APK/ ADK
DryAir
EX- XPLNprf
XPLNprf
HVB/ HVL
S↕B/ NAB
LAD/ NAD
Water- Rela
NP/NAP/ NVP
SNP
CHB/G
MXB/G
Other valves
SWD/ MWD
DustColl
CVE/ CVSE
CCH/ CPE/D
LifeSci
Gas- Combus
Auto- Water
Outdoor
SpecFld
Custom
Ending



Air operated 2-port valve with solenoid valve
(cylinder valve)

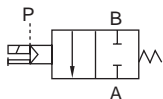
SVB*A Series

- NC (open when energized), NO (closed when energized)
- Port size: Rc1/4 to Rc2, 32 to 80 flange
- Working fluid: Air, inert gas

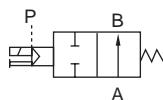


JIS symbol

- NC (Open when energized)



- NO (Closed when energized)



Common specifications

Item	SVB1A	SVB2A
Actuation	NC (open when energized)	NO (closed when energized)
Working fluid	Air/inert gas (*1)	
Working pressure MPa	0 to 0.9	0 to 1
Proof pressure (water pressure) MPa	2.0	
Fluid temperature °C	-10 to 60 (no freezing)	
Ambient temperature °C	-10 to 60	
Valve seat leakage cm ³ /min	0.12 or less (Pneumatic pressure)	
Pilot fluid	Air	
Pilot pressure MPa	0.35 to 0.7	Refer to page 568.
Mounting orientation	Unrestricted	

*1: Refer to the working fluid check list on Intro Page 39.

Electrical specifications

Rated voltage	100 VAC (50/60 Hz) / 110 VAC (60 Hz), 200 VAC (50/60 Hz) / 220 VAC (60 Hz), 24 VDC	
Apparent power (VA)	When holding	3.6 (50Hz), 2.8 (60Hz)
	When starting	11 (50Hz), 9 (60Hz)
Power consumption (W)	AC	1.9 (50Hz), 1.5 (60Hz)
	DC	2.0
Thermal class	Class 130 (B)	
Degree of protection (IEC standards 529)	Grommet lead wire	IPX2
	With DIN terminal box (Pg9)	IPX5
	With T type terminal box (G1/2)	IPX5

*1: Use the product within ±10% of the rated voltage.

Individual specifications

Item	Port size	Orifice size (mm)	C [dm ³ /(s·bar)]	b	S (mm ²)	Allowable back pressure (MPa)	Pilot port size	Weight (kg)
NC (normally closed)								
SVB1A-8A	Rc 1/4	10	8.3	0.4	-	0.5	Rc 1/8	0.5
SVB1A-10A	Rc 3/8	10	11	0.4	-			0.5
SVB1A-15A	Rc 1/2	15	-	-	120	0.1		0.8
SVB1A-20A	Rc 3/4	16	-	-	150			1
SVB1A-25A	Rc 1	20	-	-	240			1.3
SVB1A-32A	Rc 1 1/4	26	-	-	390			2.4
SVB1A-32F	32 flange	26	-	-	390			5.4
SVB1A-40A	Rc 1 1/2	32	-	-	610			3.4
SVB1A-40F	40 flange	32	-	-	610			6.5
SVB1A-50A	Rc 2	42	-	-	920			5.4
SVB1A-50F	50 flange	42	-	-	920		9.3	
SVB1A-65F(*2)	65 flange	65	-	-	1290		19.5	
SVB1A-80F(*2)	80 flange	79	-	-	1840	23.5		
NO (normally open)								
SVB2A-8A	Rc 1/4	10	8.9	0.4	-	0.1	Rc 1/8	0.5
SVB2A-10A	Rc 3/8	10	12	0.3	-			0.5
SVB2A-15A	Rc 1/2	15	-	-	140	0.05		0.8
SVB2A-20A	Rc 3/4	16	-	-	180			1
SVB2A-25A	Rc 1	20	-	-	280			1.3
SVB2A-32A	Rc 1 1/4	26	-	-	450			2.4
SVB2A-32F	32 flange	26	-	-	450			5.4
SVB2A-40A	Rc 1 1/2	32	-	-	680			3.4
SVB2A-40F	40 flange	32	-	-	680			6.5
SVB2A-50A	Rc 2	42	-	-	1020			5.4
SVB2A-50F	50 flange	42	-	-	1020		9.3	
SVB2A-65F(*2)	65 flange	65	-	-	1290		19	
SVB2A-80F(*2)	80 flange	79	-	-	1840	23		

*1 : Refer to page 568 for pilot air pressure for the NO.

*2 : Port sizes 65 flange/80 flange are made-to-order products.

*3 : Effective cross-sectional area S and sonic conductance C are converted as $S \approx 5.0 \times C$.

*4 : Female thread is available in G thread and NPT thread.

How to order

● With solenoid valve

SVB 1 A - 15 A - B 2G S - AC100V

Model No. **A** Actuation Working fluid (For air/gas)

B Port size

C Type of thread/flange

D Body/sealant combination *1

E Coil

F Other options *2 *3 *4 *5

G Assembly direction *6

H Voltage

Code	Description		
A Actuation			
1	NC (open when energized)		
2	NO (closed when energized)		
B Port size			
8	1/4		
10	3/8		
15	1/2		
20	3/4		
25	1		
32	1 1/4, 32 (Flange)		
40	1 1/2, 40 (Flange)		
50	2, 50 (Flange)		
65	65 (Flange)(Made-to-order product)		
80	80 (Flange)(Made-to-order product)		
C Type of thread/flange			
A	Rc (8A to 50A)		
F	Flange (32F to 80F)		
G	G (8G to 50G)		
N	NPT (8N to 50N)		
D Body/sealant combination			
		Body	Seal
0	Standard	Bronze	Nitrile rubber
B	Option	Bronze	Fluoro rubber
P		Bronze	Ethylene propylene rubber
D		Stainless steel	Nitrile rubber
E		Stainless steel	Fluoro rubber
R		Stainless steel	Ethylene propylene rubber
E Coil			
2C	Standard	Grommet lead wire	
2G	Option	With DIN terminal box(Pg9)	
2H		DIN terminal box with lamp(Pg9)	
3T		With T type terminal box(G1/2)	
3R		T type terminal box with lamp(G1/2)	
F Other options			
Blank	No option		
S	With surge suppressor		
B	Mounting plate *2		
G Assembly direction			
Blank	No option		
X	Cylinder cover rotated 90°		
Y	Cylinder cover rotated 180°		
Z	Cylinder cover rotated 270°		
R	Coil reversed 180° [With solenoid valve] Mounting plate/coil reversed 180° [With solenoid valve]		
Refer to page 525 for the layout drawing.			
H Voltage			
AC100V	100 VAC 50/60 Hz 110 VAC 60 Hz		
AC200V	200 VAC 50/60 Hz 220 VAC 60 Hz		
DC24V	24 VDC		

⚠ Precautions for model No. selection

- *1 : The body/sealant combination code is O or B for port size 65F and 80F. Note that the body is made of cast iron.
- *2 : The mounting plate (Item **F**) can be attached to only the female thread of port size 8 to 32.
- *3 : To add both the surge suppressor and mounting plate options, specify **F** as SB.
- *4 : The surge suppressor is attached with the lead wire coil. When selecting a coil with a terminal box, the surge suppressor is mounted in the terminal box.
- *5 : Manual override (non-locking) is provided as standard.
- *6 : Assembly direction option can be selected for 8 to 50 only.

[Example of model No.]

SVB1A-15A-B2GS-AC100V

Model: SVB

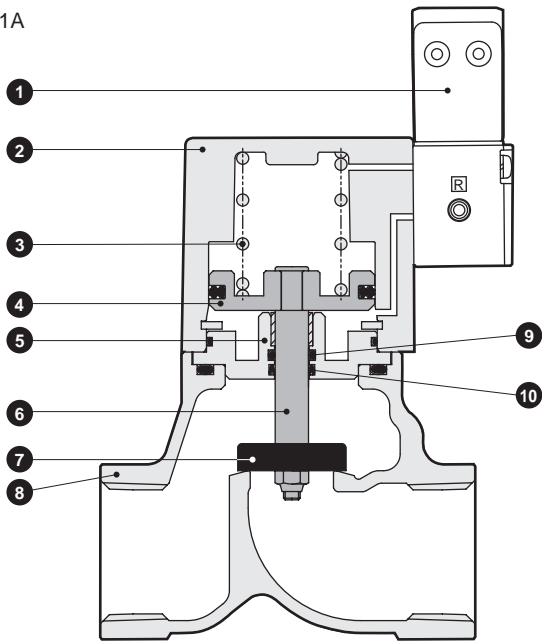
- A** Actuation : NC (open when energized)
- B** Port size : 1/2
- C** Type of thread/flange : Rc
- D** Body/sealant combination : Body - bronze, sealant - fluoro rubber
- E** Coil : With DIN terminal box (Pg9)
- F** Other options : With surge suppressor
- G** Assembly direction : No option
- H** Voltage : 100 VAC 50/60 Hz, 110 VAC 60 Hz

EXA
FWD
HNB/G
USB/G
FAB/G
FGB/G
FVB
FWB/G
FHB
FLB
AB
AG
AP/AD
APK/ADK
DryAir
EX-XPLNprf
XPLNprf
HVB/HVL
S [↑] B/ [↓] NAB
LAD/NAD
Water-Rela
NP/NAP/NVP
SNP
CHB/G
MXB/G
Other valves
SWD/MWD
DustColl
CVE/CVSE
CCH/CPE/D
LifeSci
Gas-Combus
Auto-Water
Outdoor
SpecFld
Custom
Ending

EXA
FWD
HNB/G
USB/G
FAB/G
FGB/G
FVB
FWB/G
FHB
FLB
AB
AG
AP/
AD
APK/
ADK
DryAir
EX-
XPLNprf
XPLNprf
HVB/
HVL
S♦B/
NAB
LAD/
NAD
Water-
Rela
NP/NAP/
NVP
SNP
CHB/G
MXB/G
Other
valves
SWD/
MWD
DustColl
CVE/
CVSE
CCH/
CPE/D
LifeSci
Gas-
Bus
Auto-
Water
Outdoor
SpecFld
Custom
Ending

Internal structure and parts list

● SVB1A



No.	Part name	Material	
1	Pilot solenoid valve	-	-
2	Cylinder guard	ADC12	Aluminum die-casting
3	Spring	SWP	Piano wire
4	Piston	A2017	Aluminum
5	Adaptor	C3604(SUS304)	Copper alloy (stainless steel)
6	Piston rod	SUS304	Stainless steel
7	Main valving element	NBR(FKM, EPDM) SUS304	Nitrile rubber (fluoro rubber, ethylene propylene rubber) stainless steel
8	Body	CAC408(SCS13)	Bronze casting (stainless steel casting)
9	O-ring	NBR(FKM, EPDM)	NBR (FPM, EPM rubber)
10	MY packing	NBR(FKM, EPDM)	NBR (FPM, EPM rubber)

*1 : () shows options.

*2 : For 65F and 80F, the body is FC250 (cast iron), and the main valving element material is FKM.

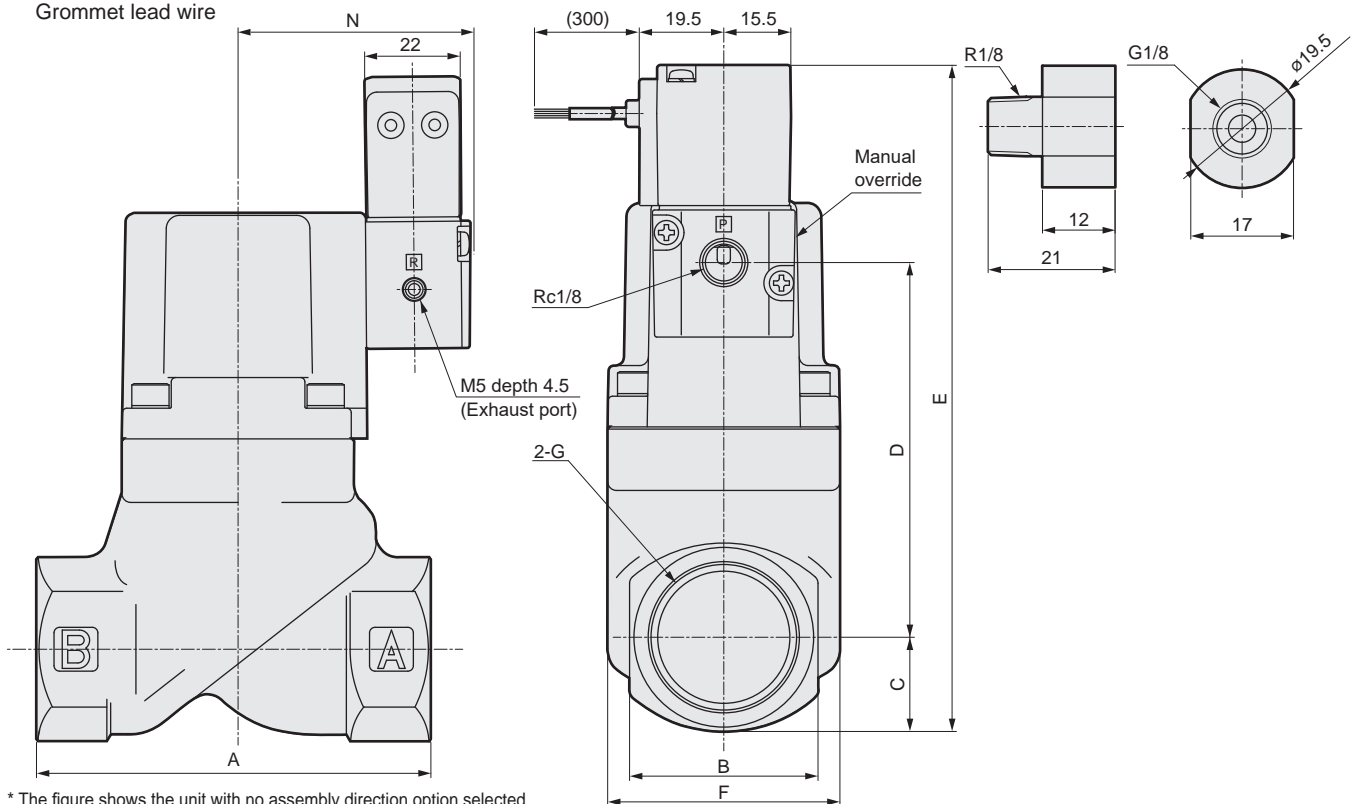
Dimensions



● SVB*A-8* to 50*-*2C (female thread)

Grommet lead wire

● G thread conversion connector



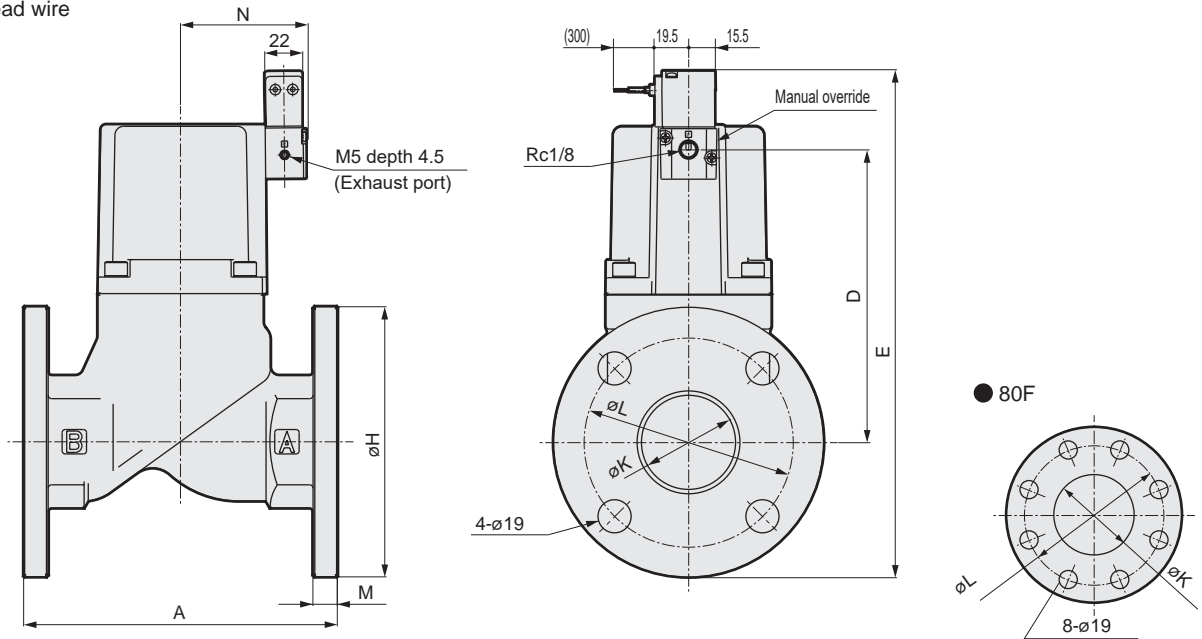
* The figure shows the unit with no assembly direction option selected.

Model No.	A	B	C	D	E	F	G	N
SVB*A-8A/G/N	50	24	12	45.5	102.5	32	Rc1/4 / G1/4 / 1/4-18NPT	48.5
SVB*A-10A/G/N							Rc3/8 / G3/8 / 3/8-18NPT	
SVB*A-15A/G/N	71	28	14.5	65.5	125	43	Rc1/2 / G1/2 / 1/2-14NPT	49.5
SVB*A-20A/G/N	80	35	17.5	75	137.5	43	Rc3/4 / G3/4 / 3/4-14NPT	49.5
SVB*A-25A/G/N	90	43	21	85.5	151.5	53	Rc1/G1/1-11.5NPT	53
SVB*A-32A/G/N	125	55	27.5	113.5	186	63	Rc1 1/4 / G1 1/4 / 1 1/4-11.5 NPT	57.5
SVB*A-40A/G/N	140	61	30.5	134.5	210	77	Rc1 1/2 / G1 1/2 / 1 1/2-11.5 NPT	64.5
SVB*A-50A/G/N	160	76	38	168	251	95	Rc2/G2/2-11.5NPT	72.5

*1: For G thread, a G thread conversion connector is inserted to port P.

Dimensions

- SVB*A-32F to 80F*2C (flange)
Grommet lead wire



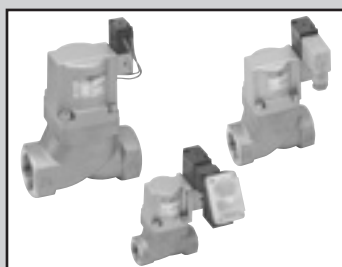
* The figure shows the unit with no assembly direction option selected.

Model No.	A	D	E	H	K	L	M	N
SVB*A-32F	170	113.5	226	135	36	100	12	57.5
SVB*A-40F	180	134.5	249.5	140	42	105	12	64.5
SVB*A-50F	180	168	291	155	54	120	14	72.5
SVB*A-65F	210	203	347.5	175	68	140	16	113
SVB*A-80F	240	218	367.5	185	82	150	16	123

Optional dimensions

Dimensions of DIN terminal box, T type terminal box and mounting plate are the same as those of SVB*W Series. Refer to pages 528 and 529.

EXA
FWD
HNB/G
USB/G
FAB/G
FGB/G
FVB
FWB/G
FHB
FLB
AB
AG
AP/ AD
APK/ ADK
DryAir
EX- XPLNprf
XPLNprf
HVB/ HVL
S/B/ NAB
LAD/ NAD
Water- Rela
NP/NAP/ NVP
SNP
CHB/G
MXB/G
Other valves
SWD/ MWD
DustColl
CVE/ CVSE
CCH/ CPE/D
LifeSci
Gas- Combus
Auto- Water
Outdoor
SpecFld
Custom
Ending



Air operated 2-port valve with solenoid valve
(cylinder valve)

SVB*V Series

- NC (open when energized), NO (closed when energized)
- Port size: Rc1/4 to Rc2, 32 to 50 flange
- Working fluid: Low vacuum

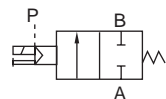
Refer to the Ending for details.



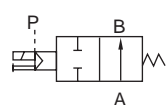
- EXA
- FWD
- HNB/G
- USB/G
- FAB/G
- FGB/G
- FVB
- FWB/G
- FHB
- FLB
- AB
- AG
- AP/AD
- APK/ADK
- DryAir
- EX-XPLNprf
- XPLNprf
- HVB/HVL
- S \diamond B/NAB
- LAD/NAD
- Water-Rela
- NP/NAP/NVP
- SNP
- CHB/G
- MXB/G
- Other valves
- SWD/MWD
- DustColl
- CVE/CVSE
- CCH/CPE/D
- LifeSci
- Gas-Combus
- Auto-Water
- Outdoor
- SpecFld
- Custom
- Ending

JIS symbol

● NC (normally closed)



● NO (closed when energized)



Common specifications

Item	SVB1V	SVB2V
Actuation	NC (normally closed)	NO (closed when energized)
Working fluid	Low vacuum (Air/water) (*1)	
Working pressure Pa (abs)	1.3 x 10 ² to 7 x 10 ⁵ (Refer to the working pressure range in the individual specifications.)	
Proof pressure (water pressure) MPa	2.0	
Fluid temperature °C	-10 to 60 (no freezing)	
Ambient temperature °C	-10 to 60	
Valve seat leakage Pa·m ³ /s He	1.33 x 10 ⁻³ or less	
Pilot fluid	Air	
Mounting orientation	Unrestricted	

*1: Refer to the working fluid check list on Intro Page 39.

Electrical specifications

Rated voltage	100 VAC (50/60 Hz) / 110 VAC (60 Hz), 200 VAC (50/60 Hz) / 220 VAC (60 Hz), 24 VDC	
Apparent power (VA)	When holding	3.6 (50 Hz), 2.8 (60 Hz)
	When starting	11 (50 Hz), 9 (60 Hz)
Power consumption (W)	AC	1.9 (50 Hz), 1.5 (60 Hz)
	DC	2.0
Thermal class	Class 130 (B)	
Degree of protection (IEC rule status 529)	Grommet lead wire	IPX2
	With DIN terminal box (Pg9)	IPX5
	With T type terminal box (G1/2)	IPX5

*1: Use the product within $\pm 10\%$ of the rated voltage.

Individual specifications

Item Model No.	Port size	Orifice size (mm)	C [dm ³ /(s·bar)]	b	S (mm ²)	Working pressure Pa (abs)		Pilot pressure (MPa)		Pilot port size	Weight (kg)	
						NC	NO	NC	NO		NC	NO
SVB*V-8A	Rc 1/4	10	8.3	0.4	-	1.3 x 10 ² to 7 x 10 ⁵	1.3 x 10 ² to 1 x 10 ⁶	0.35 to 0.7	(*1)	Rc 1/8	0.5	
SVB*V-10A	Rc 3/8	10	12	0.3	0.5							
SVB*V-15A	Rc 1/2	15	-	-	140						0.8	
SVB*V-20A	Rc 3/4	16	-	-	180						1	
SVB*V-25A	Rc 1	20	-	-	280						1.3	
SVB*V-32A	Rc 1 1/4	26	-	-	450	1.3 x 10 ² to 5 x 10 ⁵	1.3 x 10 ² to 1 x 10 ⁶	0.25 to 0.7	(*1)	Rc 1/8	2.5	2.4
SVB*V-32F	32 flange	26	-	-	450						5.5	5.4
SVB*V-40A	Rc 1 1/2	32	-	-	680						3.6	3.4
SVB*V-40F	40 flange	32	-	-	680						6.7	6.5
SVB*V-50A	Rc 2	42	-	-	1020						5.7	5.4
SVB*V-50F	50 flange	42	-	-	1020						9.6	9.3

*1 : Refer to page 568 for pilot air pressure for the NO.

*2 : Female thread is available in G thread and NPT thread.

How to order

● With solenoid valve

SVB 1 V - 15 A - B 2G S - 100 VAC

Model No. **A** Actuation

Working fluid (for low vacuum)

B Port size

C Type of thread/flange

D Body/sealant combination

E Coil

F Other options

G Assembly direction

H Voltage

⚠ Precautions for model No. selection

- *1 : The mounting plate (Item **F** B) can be attached to only the female thread of port size 8 to 32.
- *2 : To add both the surge suppressor and mounting plate options, specify Item **F** as SB.
- *3 : The surge suppressor is attached with the lead wire coil. When selecting a coil with a terminal box, the surge suppressor is mounted in the terminal box.
- *4 : Manual override (non-locking) is provided as standard.

[Example of model No.]

SVB1V-15A-B2GS-AC100V

Model: SVB

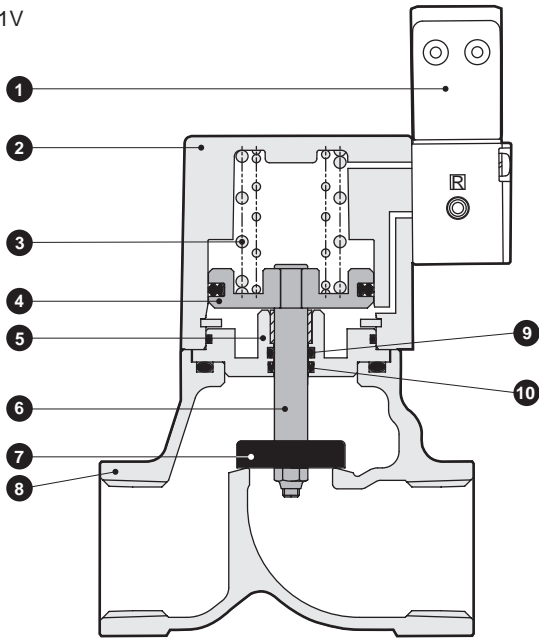
- A** Actuation : NC (open when energized)
- B** Port size : 1/2
- C** Type of thread/flange : Rc
- D** Body/sealant combination : Body - bronze, sealant - fluoro rubber
- E** Coil : With DIN terminal box (Pg9)
- F** Other options : With surge suppressor
- G** Assembly direction : No option
- H** Voltage : 100 VAC 50/60 Hz, 110 VAC 60 Hz

Code	Description		
A Actuation			
1	NC (Open when energized)		
2	NO (Closed when energized)		
B Port size			
8	1/4		
10	3/8		
15	1/2		
20	3/4		
25	1		
32	1 1/4, 32 (Flange)		
40	1 1/2, 40 (Flange)		
50	2, 50 (Flange)		
C Type of thread/flange			
A	Rc (8A to 50A)		
F	Flange (32F to 50F)		
G	G (8G to 50G)		
N	NPT (8N to 50N)		
D Body/sealant combination			
		Body	Seal
0	Standard	Bronze	Nitrile rubber
B	Option	Bronze	Fluoro rubber
P		Bronze	Ethylene propylene rubber
D		Stainless steel	Nitrile rubber
E		Stainless steel	Fluoro rubber
R		Stainless steel	Ethylene propylene rubber
E Coil			
2C	Standard	Grommet lead wire	
2G	Option	With DIN terminal box (Pg9)	
2H		DIN terminal box with lamp (Pg9)	
3T		With T type terminal box (G1/2)	
3R		T type terminal box with lamp (G1/2)	
F Other options			
Blank	No option		
S	With surge suppressor		
B	Mounting plate *1		
G Assembly direction			
Blank	No option		
X	Cylinder cover rotated 90°		
Y	Cylinder cover rotated 180°		
Z	Cylinder cover rotated 270°		
R	Coil reversed 180° (with solenoid valve) Mounting plate/coil reversed 180° (with solenoid valve)		
Refer to page 525 for the layout drawing.			
H Voltage			
AC100V	100 VAC 50/60 Hz 110 VAC 60 Hz		
AC200V	200 VAC 50/60 Hz 220 VAC 60 Hz		
DC24V	24 VDC		

EXA
FWD
HNB/G
USB/G
FAB/G
FGB/G
FVB
FWB/G
FHB
FLB
AB
AG
AP/AD
APK/ADK
DryAir
EX-XPLNprf
XPLNprf
HVB/HVL
S†B/NAB
LAD/NAD
Water-Rela
NP/NAP/NVP
SNP
CHB/G
MXB/G
Other valves
SWD/MWD
DustColl
CVE/CVSE
CCH/CPE/D
LifeSci
Gas-Combust
Auto-Water
Outdoor
SpecFld
Custom
Ending

Internal structure and parts list

● SVB1V



No.	Part name	Material	
1	Pilot solenoid valve	-	-
2	Cylinder guard	ADC12	Aluminum die-casting
3	Spring	SWP	Piano wire
4	Piston	A2017	Aluminum
5	Adaptor	C3604 (SUS304)	Copper alloy (stainless steel)
6	Piston rod	SUS304	Stainless steel
7	Main valving element	NBR (FKM, EPDM) SUS304	Nitrile rubber (fluoro rubber, ethylene propylene rubber) stainless steel
8	Body	CAC408 (SCS13)	Bronze casting (stainless steel casting)
9	O-ring	NBR (FKM, EPDM)	NBR (FPM, EPM rubber)
10	MY packing	NBR (FKM, EPDM)	NBR (FPM, EPM rubber)

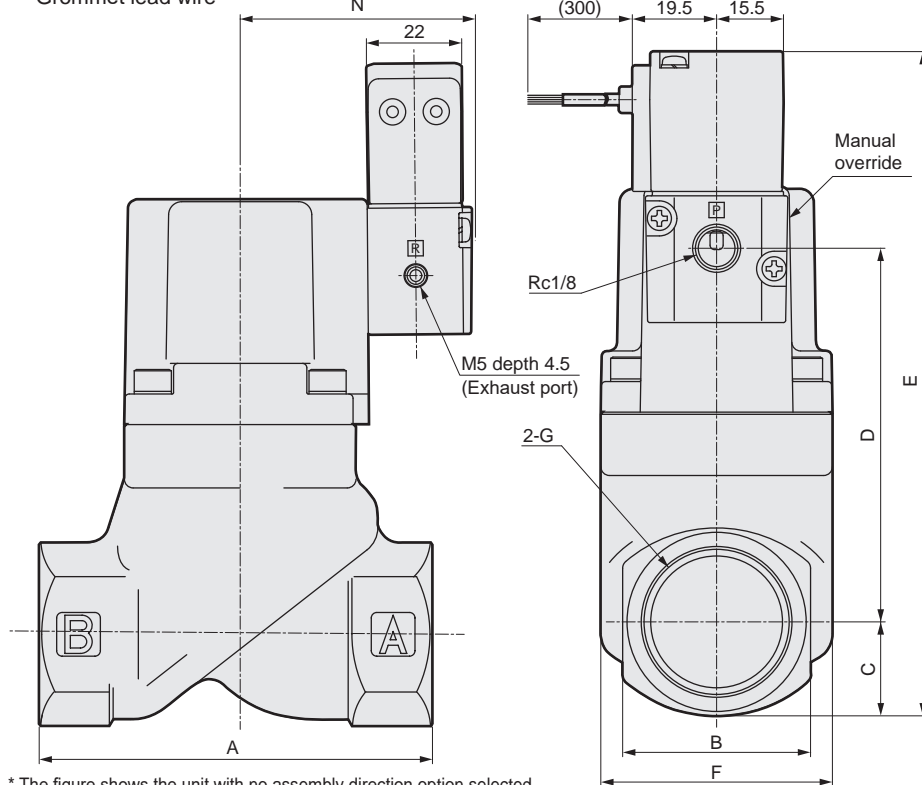
() shows options.

Dimensions

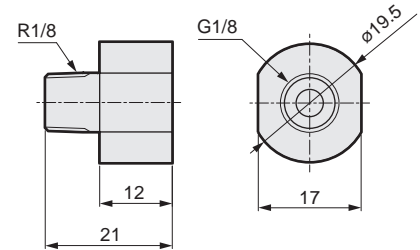


● SVB*V-8* to 50*-*2C (female thread)

Grommet lead wire



● G thread conversion connector



* The figure shows the unit with no assembly direction option selected.

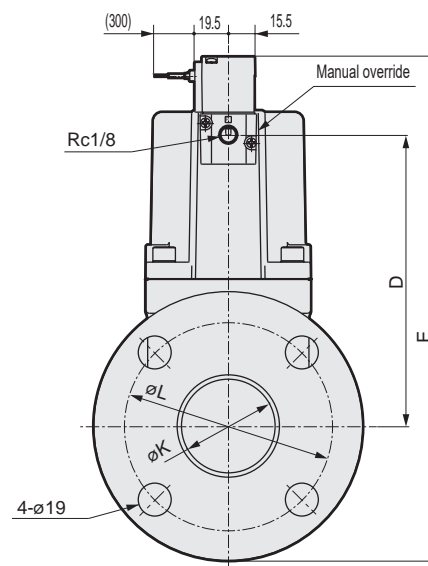
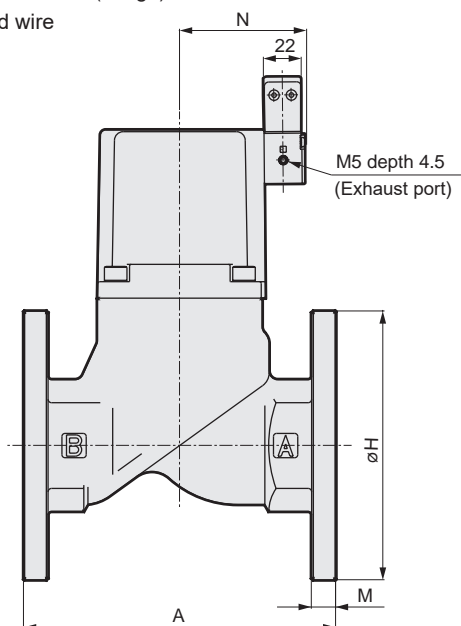
Model No.	A	B	C	D	E	F	G	N
SVB*V-8A	50	24	12	45.5	102.5	32	Rc1/4 / G1/4 / 1/4-18NPT	48.5
SVB*V-10A							Rc3/8 / G3/8 / 3/8-18NPT	
SVB*V-15A	71	28	14.5	65.5	125	43	Rc1/2 / G1/2 / 1/2-14NPT	49.5
SVB*V-20A	80	35	17.5	75	137.5	43	Rc3/4 / G3/4 / 3/4-14NPT	49.5
SVB*V-25A	90	43	21	85.5	151.5	53	Rc1/G1/1-11.5NPT	53
SVB*V-32A	125	55	27.5	113.5	186	63	Rc1 1/4 / G1 1/4 / 1 1/4-11.5 NPT	57.5
SVB*V-40A	140	61	30.5	134.5	210	77	Rc1 1/2 / G1 1/2 / 1 1/2-11.5 NPT	64.5
SVB*V-50A	160	76	38	168	251	95	Rc2/G2/2-11.5NPT	72.5

*1: For G thread, a G thread conversion connector is inserted to port P.

Dimensions



- SVB*V-32F to 50F-*2C (flange)
Grommet lead wire



* The figure shows the unit with no assembly direction option selected.

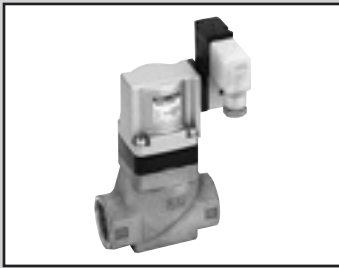
Model No.	A	D	E	H	K	L	M	N
SVB*V-32F	170	113.5	226	135	36	100	12	57.5
SVB*V-40F	180	134.5	249.5	140	42	105	12	64.5
SVB*V-50F	180	168	291	155	54	120	14	72.5

Optional dimensions



Dimensions of DIN terminal box, T type terminal box and mounting plate are the same as those of SVB*W Series. Refer to pages 528 and 529.

EXA
FWD
HNB/G
USB/G
FAB/G
FGB/G
FVB
FWB/G
FHB
FLB
AB
AG
AP/ AD
APK/ ADK
DryAir
EX- XPLNprf
XPLNprf
HVB/ HVL
S ↑ B / NAB
LAD / NAD
Water- Rela
NP/NAP/ NVP
SNP
CHB/G
MXB/G
Other valves
SWD/ MWD
DustColl
CVE/ CVSE
CCH/ CPE/D
LifeSci
Gas- Combus
Auto- Water
Outdoor
SpecFld
Custom
Ending



Air operated 2-port valve with solenoid valve
(cylinder valve)

SVB*S Series

- NC (open when energized), NO (closed when energized)
- Port size: Rc1/4 to Rc2, 32 to 50 flange
- Working fluids: Steam, water, air



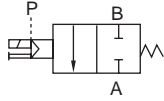
Refer to the Ending for details.



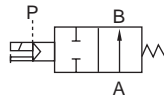
- EXA
- FWD
- HNB/G
- USB/G
- FAB/G
- FGB/G
- FVB
- FWB/G
- FHB
- FLB
- AB
- AG
- AP/AD
- APK/ADK
- DryAir
- EX-XPLNprf
- XPLNprf
- HVB/HVL
- S♦B/NAB
- LAD/NAD
- Water-Rela
- NP/NAP/NVP
- SNP
- CHB/G
- MXB/G
- Other valves
- SWD/MWD
- DustColl
- CVE/CVSE
- CCH/CPE/D
- LifeSci
- Gas-Combus
- Auto-Water
- Outdoor
- SpecFld
- Custom
- Ending

JIS symbol

● NC (normally closed)



● NO (closed when energized)



Common specifications

Item	SVB1S	SVB2S
Actuation	NC (normally closed)	NO (closed when energized)
Working fluid	Steam/water/air/non-corrosive liquid (*1)	
Fluid viscosity mm ² /s	500 or less	
Working pressure MPa	0 to 1	
Proof pressureForce (water pressure)MPa	2.0	
Fluid temperature °C	-10 to 184 (no freezing)	
Ambient temperature °C	-10 to 60	
Valve seat leakagecm ³ /min	300 or less (at pneumatic pressure 0.02 to 1 MPa)	
Pilot fluid	Air	
Pilot pressure MPa	0.35 to 0.7	Refer to page 568.
Mounting orientation	Unrestricted	

*1: Refer to the working fluid check list on Intro Page 39.

Electrical specifications

Rated voltage	100 VAC (50/60 Hz) / 110 VAC (60 Hz), 200 VAC (50/60 Hz) / 220 VAC (60 Hz), 24 VDC		
Apparent power (VA)	When holding	3.6 (50Hz), 2.8 (60Hz)	
	When starting	11 (50Hz), 9 (60Hz)	
Power consumption (W)	AC	1.9 (50Hz), 1.5 (60Hz)	
	DC	2.0	
Thermal class	Class 130 (B)		
Degree of protection (IEC standards 529)	Grommet lead wire	IPX2	
	With DIN terminal box (Pg9)	IPX5	
	With T type terminal box (G1/2)	IPX5	

*1: Use the product within ±10% of the rated voltage.

Individual specifications

Item	Port size	Orifice size (mm)	C [dm ³ /(s·bar)]	b	S (mm ²)	Cv	Pilot port size	Weight (kg)
NC: Normally closed								
SVB1S-8A	Rc 1/4	10	8.3	0.4	-	2.1	Rc 1/8	0.5
SVB1S-10A	Rc 3/8	10	11	0.4	-	2.5		0.5
SVB1S-15A	Rc 1/2	15	-	-	120	5.5		0.8
SVB1S-20A	Rc 3/4	16	-	-	150	7		1
SVB1S-25A	Rc 1	20	-	-	240	11		1.4
SVB1S-32A	Rc 1 1/4	26	-	-	390	18.5		2.6
SVB1S-32F	32 flange	26	-	-	390	18.5		5.6
SVB1S-40A	Rc 1 1/2	32	-	-	610	29		3.7
SVB1S-40F	40 flange	32	-	-	610	29		6.8
SVB1S-50A	Rc 2	42	-	-	920	43		5.6
SVB1S-50F	50 flange	42	-	-	920	43	9.5	
NO: Normally open type								
SVB2S-8A	Rc 1/4	10	8.9	0.4	-	2.3	Rc 1/8	0.5
SVB2S-10A	Rc 3/8	10	12	0.3	-	2.6		0.5
SVB2S-15A	Rc 1/2	15	-	-	140	5.6		0.8
SVB2S-20A	Rc 3/4	16	-	-	180	8		1
SVB2S-25A	Rc 1	20	-	-	280	12		1.4
SVB2S-32A	Rc 1 1/4	26	-	-	450	20		2.6
SVB2S-32F	32 flange	26	-	-	450	20		5.6
SVB2S-40A	Rc 1 1/2	32	-	-	680	32		3.7
SVB2S-40F	40 flange	32	-	-	680	32		6.8
SVB2S-50A	Rc 2	42	-	-	1020	50		5.6
SVB2S-50F	50 flange	42	-	-	1020	50	9.5	

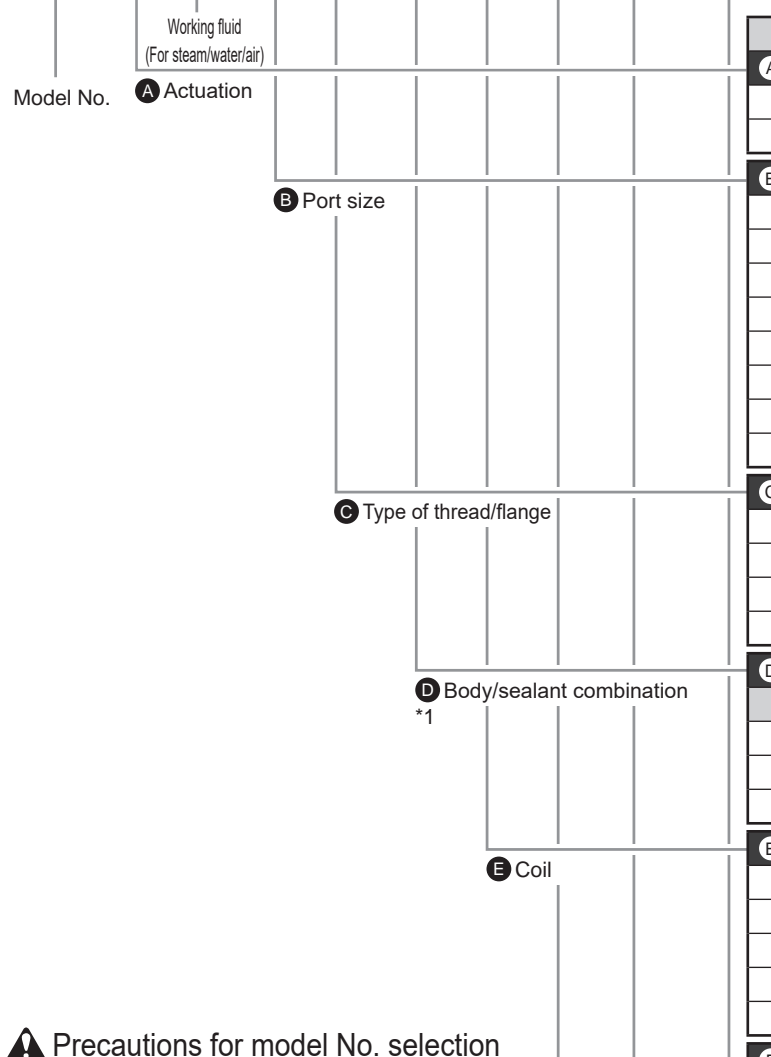
*1 : Refer to page 568 for pilot air pressure for the NO.

*2 : Female thread is available in G thread and NPT thread.

How to order

● With solenoid valve

SVB **1** **S** - **15** **A** - **E** **2G** **L** - **100 VAC**



⚠ Precautions for model No. selection

- *1 : When the working fluid is steam, select C or E.
- *2 : The mounting plate (Item **F** B) can be attached to only the female thread of port size 8 to 32.
- *3 : Indicator (Item **F** L) can be attached to only the NC (actuation 1).
- *4 : To add multiple options for Item **F**, specify as below.
Surge suppressor + mounting plate → SB
Surge suppressor + indicator → SL
Mounting plate + indicator → BL
Surge suppressor + mounting plate + indicator → SBL
- *5 : The surge suppressor is attached with the lead wire coil. When selecting a coil with a terminal box, the surge suppressor is mounted in the terminal box.
- *6 : Manual override (non-locking) is provided as standard.

[Example of model No.]

SVB1S-15A-E2GL-AC100V

Model: SVB

- A** Actuation : NC (open when energized)
- B** Port size : 1/2
- C** Type of thread/flange : Rc
- D** Body/sealant combination : Body - stainless steel, sealant - tetrafluoroethylene resin
- E** Coil : With DIN terminal box (Pg9)
- F** Other options : Indicator
- G** Assembly direction : No option
- H** Voltage : 100 VAC 50/60 Hz, 110 VAC 60 Hz

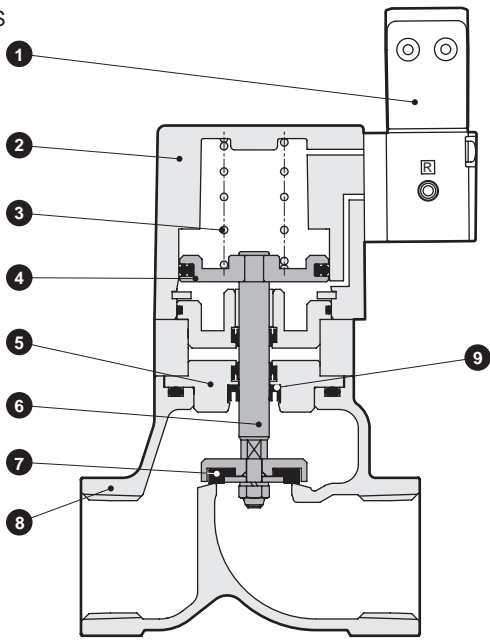
Code	Description			
A Actuation				
1	NC (normally closed)			
2	NO (closed when energized)			
B Port size				
8	1/4			
10	3/8			
15	1/2			
20	3/4			
25	1			
32	1 1/4, 32 (Flange)			
40	1 1/2, 40 (Flange)			
50	2, 50 (Flange)			
C Type of thread/flange				
A	Rc (8A to 50A)			
F	Flange (32F to 50F)			
G	G (8G to 50G)			
N	NPT (8N to 50N)			
D Body/sealant combination				
	Body	Seal	O-ring	Remarks
C	Bronze	Tetrafluoroethylene resin	Fluoro rubber	Steam/air/
E	Stainless steel	Tetrafluoroethylene resin	Fluoro rubber	water
F	Stainless steel	Tetrafluoroethylene resin	Tetrafluoroethylene resin	Solvent-based
E Coil				
2C	Standard	Grommet lead wire		
2G	Option	With DIN terminal box (Pg9)		
2H		DIN terminal box with lamp (Pg9)		
3T		With T type terminal box (G1/2)		
3R		T type terminal box with lamp (G1/2)		
F Other options				
Blank	No option			
S	With surge suppressor			
B	Mounting plate *2			
L	With indicator			
G Assembly direction				
Blank	No option			
X	Cylinder cover rotated 90°			
Y	Cylinder cover rotated 180°			
Z	Cylinder cover rotated 270°			
R	Coil reversed 180° (with solenoid valve)			
	Mounting plate/coil reversed 180° (with solenoid valve)			
Refer to page 525 for the layout drawing.				
H Voltage				
AC100V	100 VAC 50/60 Hz			
	110 VAC 60 Hz			
AC200V	200 VAC 50/60 Hz			
	220 VAC 60 Hz			
DC24V	24 VDC			

- EXA
- FWD
- HNB/G
- USB/G
- FAB/G
- FGB/G
- FVB
- FWB/G
- FHB
- FLB
- AB
- AG
- AP/AD
- APK/ADK
- DryAir
- EX-XPLNprf
- XPLNprf
- HVB/HVL
- S** **B** / **NAB**
- LAD/NAD
- Water-Rela
- NP/NAP/NVP
- SNP
- CHB/G
- MXB/G
- Other valves
- SWD/MWD
- DustColl
- CVE/CVSE
- CCH/CPE/D
- LifeSci
- Gas-Combus
- Auto-Water
- Outdoor
- SpecFld
- Custom
- Ending

- EXA
- FWD
- HNB/G
- USB/G
- FAB/G
- FGB/G
- FVB
- FWB/G
- FHB
- FLB
- AB
- AG
- AP/
AD
- APK/
ADK
- DryAir
- EX-
XPLNprf
- XPLNprf
- HVB/
HVL
- S♦B/
NAB**
- LAD/
NAD
- Water-
Rela
- NP/NAP/
NVP
- SNP
- CHB/G
- MXB/G
- Other
valves
- SWD/
MWD
- DustColl
- CVE/
CVSE
- CCH/
CPE/D
- LifeSci
- Gas-
Combus
- Auto-
Water
- Outdoor
- SpecFld
- Custom
- Ending

Internal structure and parts list

● SVB1S



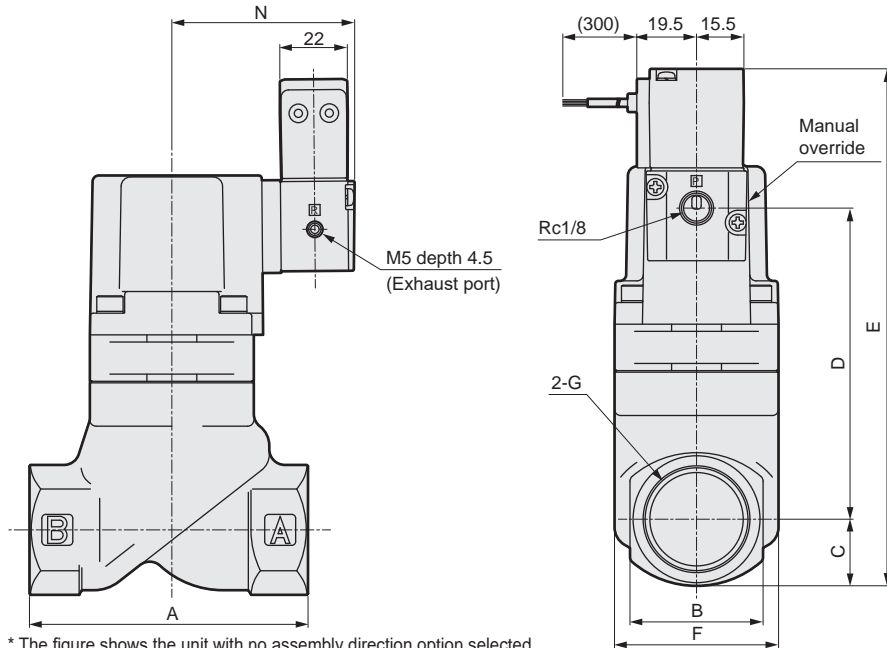
No.	Part name	Material	
1	Pilot solenoid valve	-	-
2	Cylinder guard	ADC12	Aluminum die-casting
3	Spring	SWP	Piano wire
4	Piston	A2017	Aluminum
5	Adaptor	C3604 (SUS304)	Copper alloy (stainless steel)
6	Piston rod	SUS304	Stainless steel
7	Main valving element	PTFE	Tetrafluoroethylene resin
8	Body	CAC408 (SUS13)	Bronze casting (stainless steel casting)
9	Rod packing	PTFE	Tetrafluoroethylene resin

() shows options.

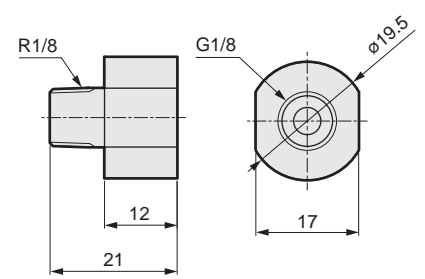
Dimensions



- SVB*S-8* to 50*-*2C (female thread)
Grommet lead wire



- G thread conversion connector

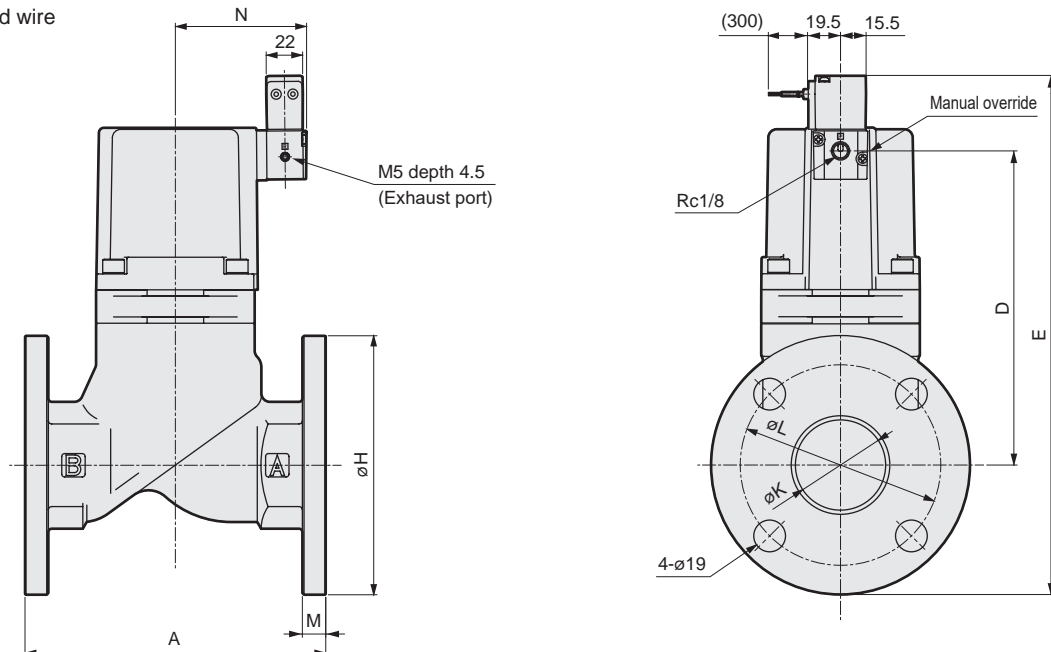


* The figure shows the unit with no assembly direction option selected.

Model No.	A	B	C	D	E	F	G	N
SVB*S-8A/G/N	50	24	12	56.5	113.5	32	Rc1/4 / G1/4 / 1/4-18NPT	54.5
SVB*S-10A/G/N							Rc3/8 / G3/8 / 3/8-18NPT	
SVB*S-15A/G/N	71	28	14.5	81.5	141	43	Rc1/2 / G1/2 / 1/2-14NPT	55.5
SVB*S-20A/G/N	80	35	17.5	91	153.5	43	Rc3/4 / G3/4 / 3/4-14NPT	55.5
SVB*S-25A/G/N	90	43	21	102	168	53	Rc1/G1/1-11.5NPT	59
SVB*S-32A/G/N	125	55	27.5	128.5	201	63	Rc1 1/4 / G1 1/4 / 1 1/4-11.5 NPT	63.5
SVB*S-40A/G/N	140	61	30.5	154.5	230	77	Rc1 1/2 / G1 1/2 / 1 1/2-11.5 NPT	70.5
SVB*S-50A/G/N	160	76	38	188	271	95	Rc2/G2/2-11.5NPT	78.5

*1: For G thread, a G thread conversion connector is inserted to port F.

- SVB*S-32F to 50F-*2C (flange)
Grommet lead wire



* The figure shows the unit with no assembly direction option selected.

Model No.	A	D	E	H	K	L	M	N
SVB*S-32F	170	128.5	241	135	36	100	12	63.5
SVB*S-40F	180	154.5	269.5	140	42	105	12	70.5
SVB*S-50F	180	188	311	155	54	120	14	78.5

EXA
FWD
HNB/G
USB/G
FAB/G
FGB/G
FVB
FWB/G
FHB
FLB
AB
AG
AP/AD
APK/ADK
DryAir
EX-XPLNprf
XPLNprf
HVB/HVL
S&B/NAB
LAD/NAD
Water-Rela
NP/NAP/NVP
SNP
CHB/G
MXB/G
Other valves
SWD/MWD
DustColl
CVE/CVSE
CCH/CPE/D
LifeSci
Gas-Combust
Auto-Water
Outdoor
SpecFld
Custom
Ending

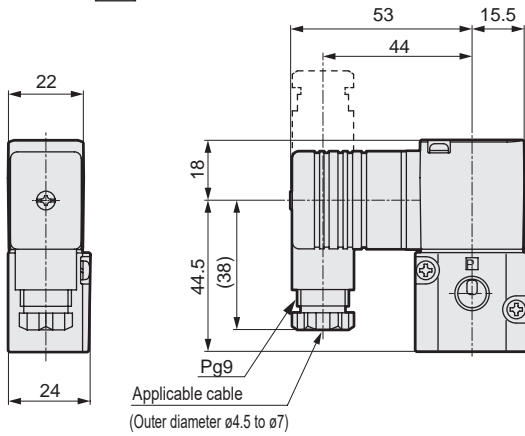


Optional dimensions

- EXA
- FWD
- HNB/G
- USB/G
- FAB/G
- FGB/G
- FVB
- FWB/G
- FHB
- FLB
- AB
- AG
- AP/AD
- APK/ADK
- DryAir
- EX-XPLNprf
- XPLNprf
- HVB/HVL
- S ∇ B/NAB**
- LAD/NAD
- Water-Rela
- NP/NAP/NVP
- SNP
- CHB/G
- MXB/G
- Other valves
- SWD/MWD
- DustColl
- CVE/CVSE
- CCH/CPE/D
- LifeSci
- Gas-Combus
- Auto-Water
- Outdoor
- SpecFld
- Custom
- Ending

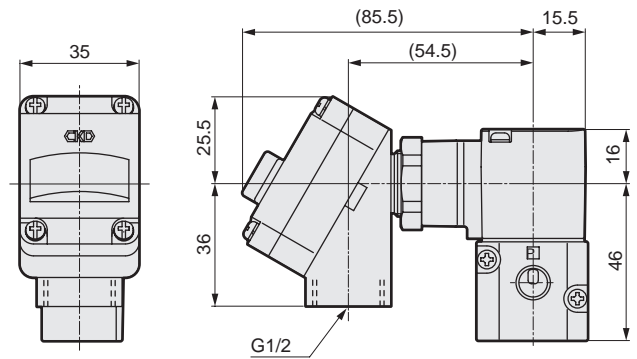
● DIN terminal box (Pg9) DIN terminal box with lamp (Pg9)

SVB*S-**-****2G**
2H



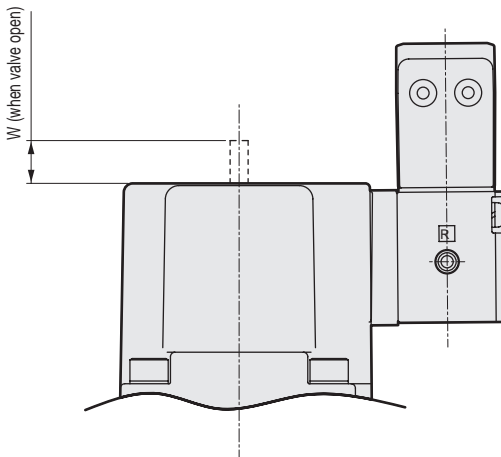
● T type terminal box (G1/2) T type terminal box with lamp (G1/2)

SVB*S-**-****3T**
3R



● Indicator

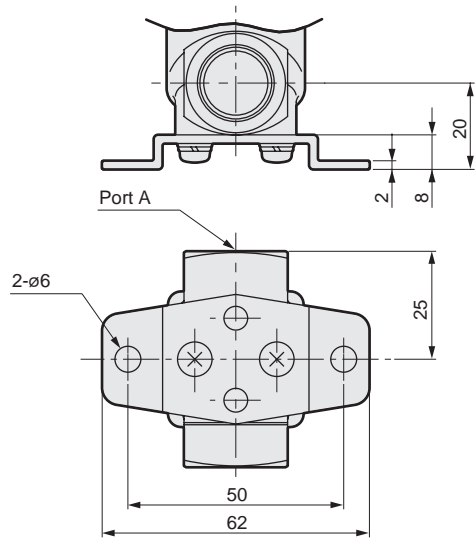
SVB1S-8* to 50*-****L**



● Mounting plate

SVB*S-8*/10*-****B**

Material: Steel Zinc plated



Model No.	W
SVB1S-8A/G/N	4
SVB1S-10A/G/N	4
SVB1S-15A/G/N	6.5
SVB1S-20A/G/N	6.5
SVB1S-25A/G/N	7
SVB1S-32A/G/N/F	8
SVB1S-40A/G/N/F	10.5
SVB1S-50A/G/N/F	13

Optional dimensions

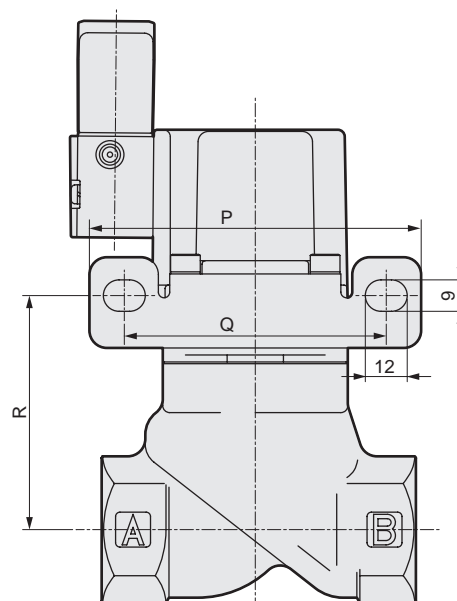
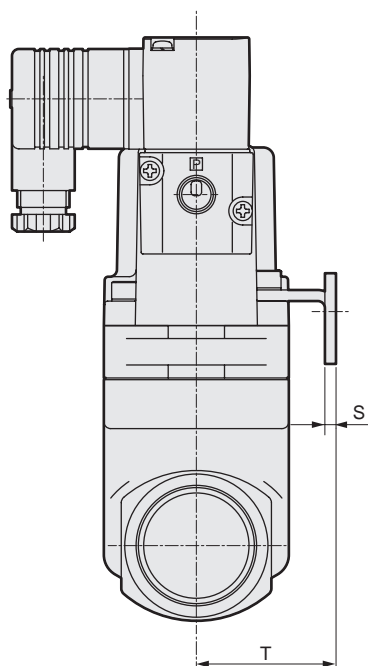


● Mounting plate

SVB*S-15* to 32*-** **B** / **B-R** / **B-Y**

Material: Steel

Zinc plated



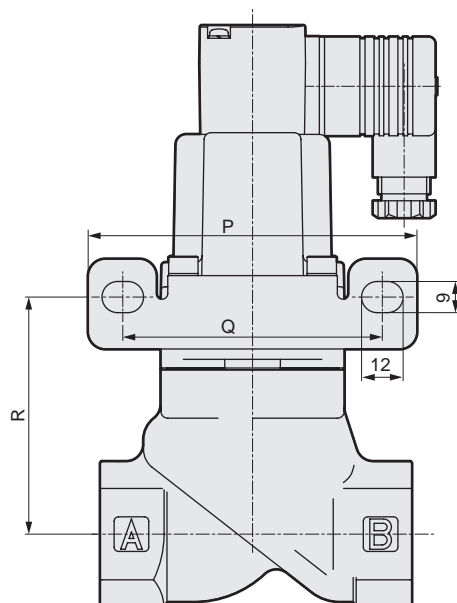
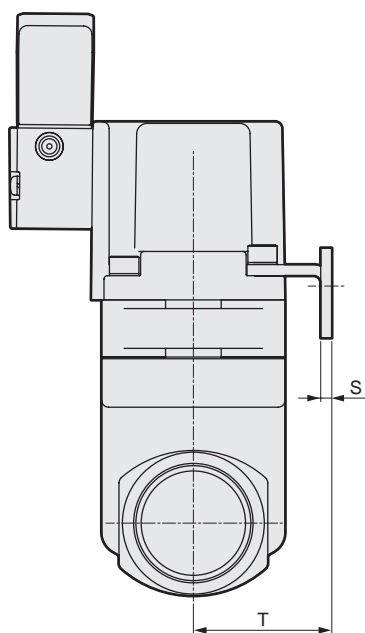
* The figure shows **B**.

● Mounting plate

SVB*S-15* to 32*-** **B-X** / **B-Z**

Material: Steel

Zinc plated



* The figure shows **B-X**.

Model No.	P	Q	R	S	T
SVB*S-15A/G/N	90	70	55	2.3	30
SVB*S-20A/G/N	90	70	64.5	2.3	30
SVB*S-25A/G/N	95	75	68.5	3.2	40
SVB*S-32A/G/N	105	85	81.5	3.2	45

EXA
FWD
HNB/G
USB/G
FAB/G
FGB/G
FVB
FWB/G
FHB
FLB
AB
AG
AP/AD
APK/ADK
DryAir
EX-XPLNprf
XPLNprf
HVB/HVL
S / B / NAB
LAD / NAD
Water-Rela
NP/NAP/NVP
SNP
CHB/G
MXB/G
Other valves
SWD/MWD
DustColl
CVE/CVSE
CCH/CPE/D
LifeSci
Gas-Combus
Auto-Water
Outdoor
SpecFld
Custom
Ending