

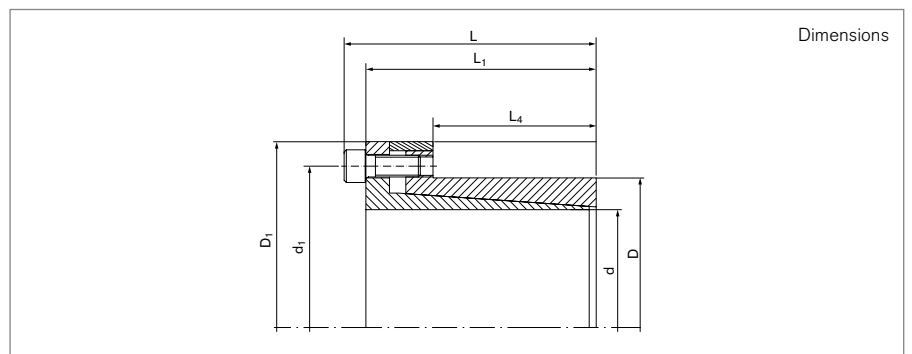
# Locking Assemblies

## RINGFEDER® RfN 7110

Specially small dimensioned self-centering Locking Assembly without axial displacement



self-centering | without axial displacement | with low surface pressure



Locking Assembly dimensions									Transmissible torques or axial forces		Surface pressure		Locking screws			
d	x	D	d <sub>1</sub>	D <sub>B1</sub>	L	L <sub>1</sub>	L <sub>4</sub>	L <sub>8</sub>	T	F <sub>ax</sub>	Shaft PW	Hub PN	n <sub>Sc</sub>	D <sub>G</sub>	T <sub>A</sub>	Gw
mm		mm							Nm	kN	N/mm <sup>2</sup>				Nm	kg
8	x	15	19	27	28	24	12	21	30	7	230	120	4	M4 x 10	4	0,06
9	x	16	20	28	31	27	14	23	34	7	170	100	4	M4 x 12	4	0,07
10	x	16	20	28	31	27	14	23	37	7	160	100	4	M4 x 12	4	0,06
11	x	18	23	32	31	27	14	23	51	10	180	110	4	M4 x 12	5	0,07
12	x	18	23	32	31	27	14	23	56	10	155	110	4	M4 x 12	5	0,07
13	x	23	28	38	31	27	14	23	61	10	150	85	4	M4 x 12	5	0,12
14	x	23	28	38	31	27	14	23	65	10	140	85	4	M4 x 12	5	0,12
15	x	24	31	44	42	36	16	29	110	17	180	115	3	M6 x 18	17	0,21
16	x	24	31	44	42	36	16	29	120	17	170	115	3	M6 x 18	17	0,2
17	x	26	33	47	44	38	18	31	165	22	190	135	4	M6 x 18	17	0,22
18	x	26	33	47	44	38	18	31	180	22	180	135	4	M6 x 18	17	0,24
19	x	27	34	48	44	38	18	31	190	22	170	125	4	M6 x 18	17	0,25
20	x	28	35	49	44	38	18	31	200	22	150	115	4	M6 x 18	17	0,25
22	x	32	39,5	53	51	45	25	38	230	22	115	80	4	M6 x 18	17	0,34
24	x	34	41,5	55	51	45	25	38	255	21	105	75	4	M6 x 18	17	0,36
25	x	34	41,5	55	51	45	25	38	255	21	100	75	4	M6 x 18	17	0,35
28	x	39	46	60	51	45	25	38	370	31	110	80	5	M6 x 18	17	0,43
30	x	41	48	62	51	45	25	38	475	31	125	90	6	M6 x 18	17	0,43
32	x	43	50,5	64	56	50	30	43	505	31	95	75	6	M6 x 18	17	0,46
35	x	47	54	68	56	50	30	43	740	42	120	90	8	M6 x 18	17	0,52
38	x	50	57	71	56	50	30	43	800	42	110	85	8	M6 x 18	17	0,61
40	x	53	60	74	58	52	32	45	950	53	110	85	9	M6 x 18	17	0,67
42	x	55	62	77	58	52	32	45	995	78	105	80	9	M6 x 18	17	0,74
45	x	59	68,5	85	72	64	40	56	1750	78	130	100	8	M8 x 22	41	1,12

To continue see next page

### Locking Assemblies RINGFEDER® RfN 7110

Locking Assembly dimensions									Transmissible torques or axial forces		Surface pressure		Locking screws			
d	x	D	d <sub>1</sub>	D <sub>B1</sub>	L	L <sub>1</sub>	L <sub>4</sub>	L <sub>8</sub>	T	F <sub>ax</sub>	Shaft p <sub>w</sub>	Hub p <sub>N</sub>	n <sub>Sc</sub>	D <sub>G</sub>	T <sub>A</sub>	G <sub>w</sub>
mm		mm							Nm	kN	N/mm <sup>2</sup>				Nm	kg
48	x	62	71,5	87	72	64	40	56	1870	78	120	95	8	M8 x 22	41	1,14
50	x	65	74,5	91	82	74	50	66	2430	97	115	90	10	M8 x 22	41	1,3
55	x	71	80	98	82	74	50	66	2670	97	105	80	10	M8 x 22	41	1,99
60	x	77	86	104	82	74	50	66	2920	97	95	75	10	M8 x 22	41	2,22
65	x	84	93	110	82	74	50	66	3160	97	90	70	10	M8 x 22	41	2,6
70	x	90	101	119	101	91	60	80	4330	123	85	70	8	M10 x 25	83	3,76
75	x	95	106	126	101	91	60	80	5310	142	90	75	9	M10 x 25	83	4,08
80	x	100	111	131	106	96	65	85	7580	190	110	85	12	M10 x 25	83	4,41
85	x	106	117	137	106	96	65	85	7990	190	100	80	12	M10 x 25	83	4,83
90	x	112	123	143	106	96	65	85	9960	222	110	90	14	M10 x 25	83	5,26
95	x	120	131	153	106	96	65	85	10500	222	105	85	14	M10 x 25	83	6,26
100	x	125	138	162	114	102	65	89	13600	273	125	100	12	M12 x 30	145	7,66
110	x	140	153	177	119	107	70	94	15000	273	105	80	12	M12 x 30	145	9,89
120	x	155	168	195	139	127	90	114	21800	364	100	75	16	M12 x 30	145	13,64
130	x	165	178	205	139	127	90	114	23700	364	90	70	16	M12 x 30	145	14,58

More sizes on request

### Explanation

<b>d</b> = Inner diameter	<b>L<sub>8</sub></b> = Length L <sub>4</sub> + length spacer bushing L <sub>8</sub>	<b>T<sub>A</sub></b> = Tightening torque of the clamping screws
<b>D</b> = Outer diameter	<b>T</b> = Transmissible torque at given T <sub>A</sub>	<b>G<sub>w</sub></b> = Weight
<b>d<sub>1</sub></b> = Pitch circle diameter	<b>F<sub>ax</sub></b> = Transmissible axial force	
<b>D<sub>B1</sub></b> = Collar outer diameter	<b>p<sub>w</sub></b> = Surface pressure on shaft at given T <sub>A</sub>	
<b>L</b> = Overall length	<b>p<sub>N</sub></b> = Surface pressure on hub at given T <sub>A</sub>	
<b>L<sub>1</sub></b> = Overall length (without screws)	<b>n<sub>Sc</sub></b> = Quantity of screws	
<b>L<sub>4</sub></b> = installation length up to collar	<b>D<sub>G</sub></b> = Thread	

### Ordering example

Locking Assembly	d	D
RfN 7110	70	90

#### Technical Information

- Surface finishes: Shaft and hub bores R<sub>a</sub> ≤ 1,6 μm
- Tolerances: Shaft: h8 · Hub: H8

Further information on  
**RINGFEDER® RfN 7110**  
 on [www.ringfeder.com](http://www.ringfeder.com)

#### Disclaimer of liability

All technical details and notes are non-binding and cannot be used as a basis for legal claims. The user is obligated to determine whether the represented products meet his requirements. We reserve the right carry out modifications at any time in the interests of technical progress.