



Thin parallel hand (bush/bearing guide) Double acting

HLA/HLB Series

- Operational stroke length: HLA 15, 20, 25 mm
HLB 13, 18, 23 mm

Double acting



Specifications

Item	HLA			HLB			
	12CS	15CS	20CS	12CS	15CS	20CS	
Size	12CS	15CS	20CS	12CS	15CS	20CS	
Bore size	mm	ø12	ø15	ø20	ø12	ø15	ø20
Actuation	Double acting						
Working fluid	Compressed air						
Max. working pressure	MPa	0.7 (≈100 psi, 7 bar)					
Min. working pressure	MPa	0.3 (≈44 psi, 3 bar)		0.1 (≈15 psi, 1 bar)			
Ambient temperature	°C	5 (41°F) to 60 (140°F)					
Port size	M5						
Operating stroke length	mm	15	20	25	13	18	23
Volumetric capacity (reciprocating)	cm ³	1.69	3.53	7.85	1.47	3.18	7.22
Repeatability	mm	±0.03			±0.01		
Weight	kg	0.152	0.276	0.504	0.214	0.402	0.678
Lubrication	Not required (use turbine oil class 1 ISO VG32 if necessary for lubrication)						

Switch specifications and variations

Item	Proximity 2-wire	Proximity 3-wire
	K2H, K2V	K3H, K3V
Applications	Dedicated for programmable controller	For programmable controller, relay
Output method	-	NPN output
Power supply voltage	-	10 to 28 VDC
Load voltage/current	10 to 30 VDC, 5 to 20 mA (*1)	30 VDC or less, 50 mA or less
Indicator lamp	LED (Lit when ON)	
Leakage current	1 mA or less	10 µA or less
Weight	1 m:18 g 3 m:49 g 5 m:80 g	

Item	Reed 2-wire	
	K0H/K0V	K5H/K5V
Applications	For programmable controller, relay	For programmable controller, relay, IC circuit (without indicator lamp), serial connection
Power supply voltage	—	
Load voltage/current	12/24 VDC, 5 to 50 mA 110 VAC, 7 to 20 mA	5/12/24 VDC, 50 mA or less 110 VAC, 20 mA or less
Indicator lamp	LED (Lit when ON)	None
Leakage current	0 mA	
Weight	1 m:18 g 3 m:49 g 5 m:80 g	

*1 : The above max. load current is 20 mA at 25°C. The current is lower than 20 mA if the operating ambient temperature around the switch is higher than 25°C. (5 to 10 mA at 60°C)

*2 : Refer to Ending Page 1 for detailed switch specifications and dimensions.

LCM
LCR
LCG
LCW
LCX
STM
STG
STS/STL
STR2
UCA2
ULK*
JSK/M2
JSG
JSC3/JSC4
USSD
UFGD
USC
UB
JSB3
LMB
LML
HCM
HCA
LBC
CAC4
UCAC2
CAC-N
UCAC-N
RCS2
RCC2
PCC
SHC
MCP
GLC
MFC
BBS
RRC
GRC
RV3*
NHS
HRL
LN
Hand
Chuk
MecHnd/Chuk
ShkAbs
FJ
FK
SpdContr
Ending
LSH-HP
LSH
FH100
BSA2
BHA/BHG
LHA
LHAG
HAP
HKP
HCP
HGP
HLF2
HLA/HLB
HLAG/HLBG
HLC
HLD
HMF
HMF-G
HMF-B
HFP
FH500
HBL
HJL
HMD
HDL
HJD
BHE

How to order

Without switch (built-in magnet for switch)

HLA - 12CS

With switch (built-in magnet for switch)

HLA - 12CS - K2H - R

A Model No.

B Size

C Switch model No.
*1

D Switch quantity

Code	Description					
A Model No.						
HLA	Bush guide					
HLB	Bearing guide					
B Size						
12CS						
15CS						
20CS						
C Switch model No.						
Axial lead wire	Radial lead wire	Contact	Voltage		Display	Lead wire
			AC	DC		
K0H*	K0V*	Reed	●	●	1-color display	2-wire
K5H*	K5V*		●	●	no indicator lamp	
K2H*	K2V*	Proximity		●	1-color display	2-wire
K3H*	K3V*			●	display	3-wire
* Lead wire length						
Blank	1 m (standard)					
3	3 m (option)					
5	5 m (option)					
D Switch quantity						
R	1 on open side					
H	1 on closed side					
D	2					

⚠ Precautions for model No. selection

*1: Switches other than © Switch model No. are also available. (Made to order)
Refer to Ending Page 1 for details.

[Example of model No.]

HLB-12CS-K2H-R

Model: Thin parallel hand

A Model No. : Bearing guide HLB

B Size : 12CS

C Switch model No. : Proximity K2H switch, lead wire 1 m

D Switch quantity : 1 on open side

How to order switch

SW - K2H

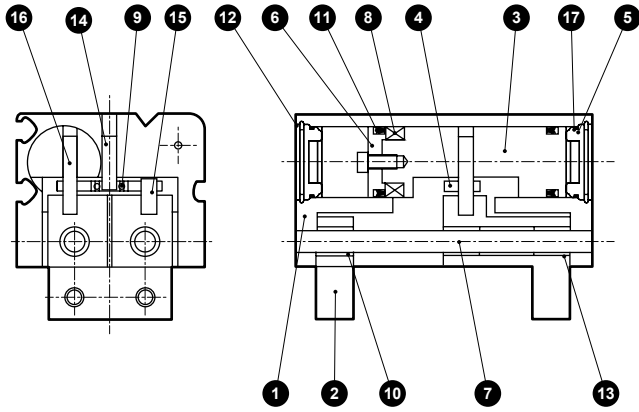
Switch model No.
(Item © above)

LCM
LCR
LCG
LCW
LCX
STM
STG
STS/STL
STR2
UCA2
ULK*
JSK/M2
JSG
JSC3/JSC4
USSD
UFCD
USC
UB
JSB3
LMB
LML
HCM
HCA
LBC
CAC4
UCAC2
CAC-N
UCAC-N
RCS2
RCC2
PCC
SHC
MCP
GLC
MFC
BBS
RRC
GRC
RV3*
NHS
HRL
LN
Hand
Chuk
MechHnd/Chuk
ShkAbs
FJ
FK
SpdContr
Ending
LSH-HP
LSH
FH100
BSA2
BHA/BHG
LHA
LHAG
HAP
HKP
HCP
HGP
HLF2
HLA/HLB
HLAG/HLBG
HLC
HLD
HMF
HMF-G
HMFB
HFP
FH500
HBL
HJL
HMD
HDL
HJD
BHE

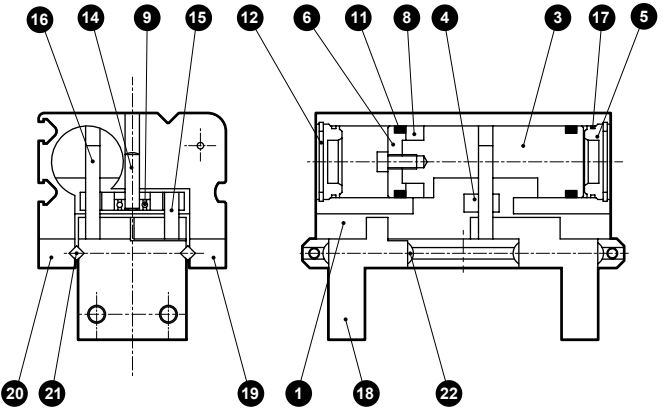
HLA/HLB Series

Internal structure and parts list

● HLA-12CS to 20CS



● HLB-12CS to 20CS



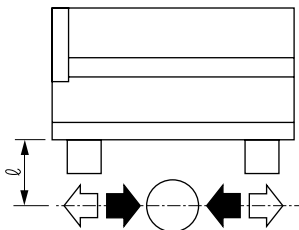
Cannot be disassembled

No.	Part name	Material	Remarks	No.	Part name	Material	Remarks
1	Body	Aluminum alloy		12	Snap ring	Stainless steel	
2	Finger	Aluminum alloy		13	Bush	Sintering oil impregnated alloy	
3	Piston	Stainless steel		14	Parallel pin	Steel	
4	Cam	Stainless steel		15	Needle roller A	Alloy steel	
5	Cylinder guard	Acetal resin		16	Needle roller B	Alloy steel	
6	Magnet holder	Aluminum alloy		17	Cylinder gasket	Nitrile rubber	
7	Guide rod	Alloy steel		18	Master key	Steel	
8	Magnet			19	Bearing guide A	Steel	
9	Small diameter sphere bearing	Alloy steel		20	Bearing guide B	Steel	
10	Bush	Sintering oil impregnated alloy		21	Cross roller	Alloy steel	
11	Piston packing	Nitrile rubber		22	Truss machine screw	Stainless steel	

Gripping power performance data

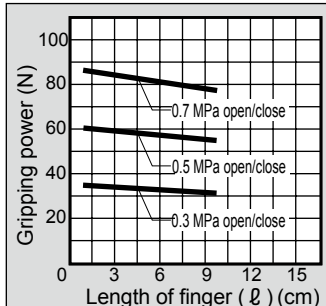
- Gripping power represents the thrust (per one finger) in the arrow direction shown in the figure.
- The gripping power in the opening/closing directions with finger length L of hand with a supply pressure of 0.3, 0.5 and 0.7 MPa is shown.

● Both open direction (←) and closed direction (→) ——— (shown with continuous line)

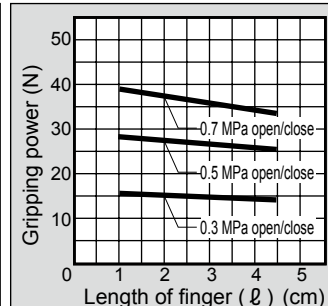


(Note) When making a selection, read the precautions for design and selection on page 1764.

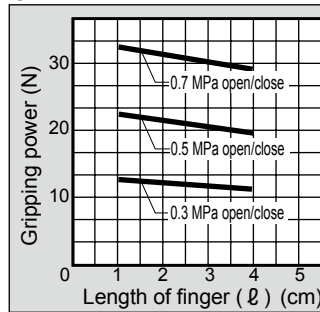
● HLA-20CS



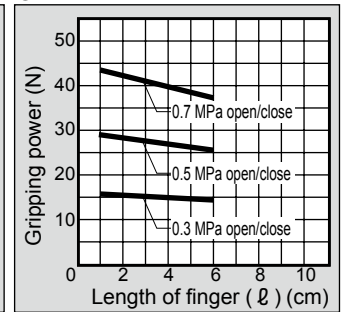
● HLB-12CS



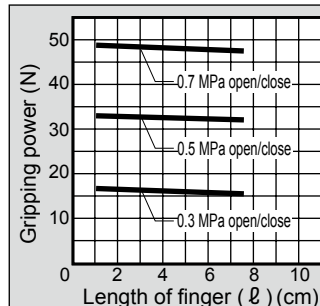
● HLA-12CS



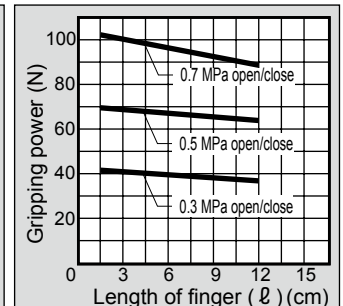
● HLA-15CS



● HLB-15CS



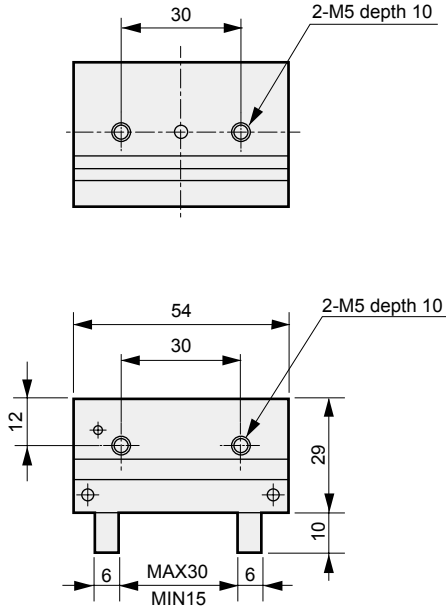
● HLB-20CS



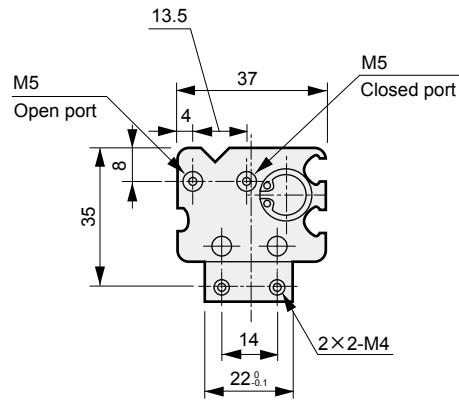
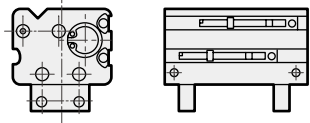
Dimensions



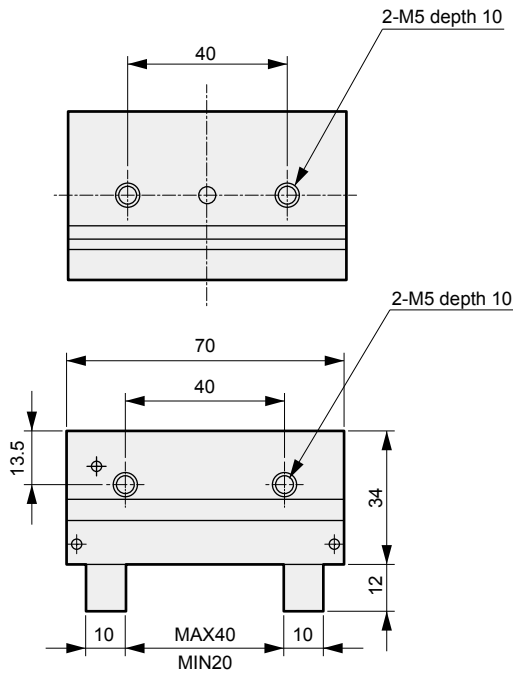
● HLA-12CS Standard



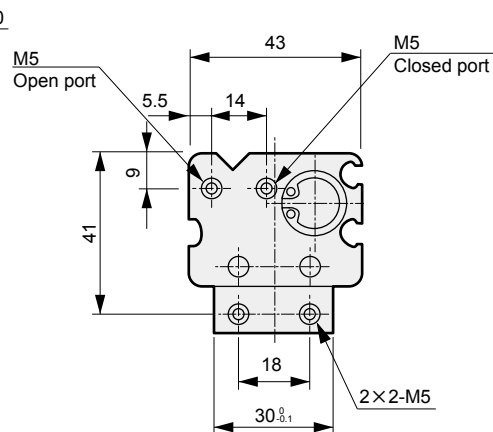
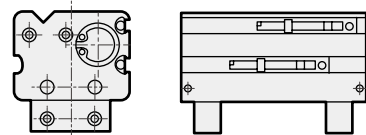
● With switch



● HLA-15CS Standard



● With switch



LCM
LCR
LCG
LCW
LCX
STM
STG
STS/STL
STR2
UCA2
ULK*
JSK/M2
JSG
JSC3/JSC4
USSD
UFCD
USC
UB
JSB3
LMB
LML
HCM
HCA
LBC
CAC4
UCAC2
CAC-N
UCAC-N
RCS2
RCC2
PCC
SHC
MCP
GLC
MFC
BBS
RRC
GRC
RV3*
NHS
HRL
LN

Hand
Chuk
MechHnd/Chuk
ShkAbs
FJ
FK
SpdContr
Ending

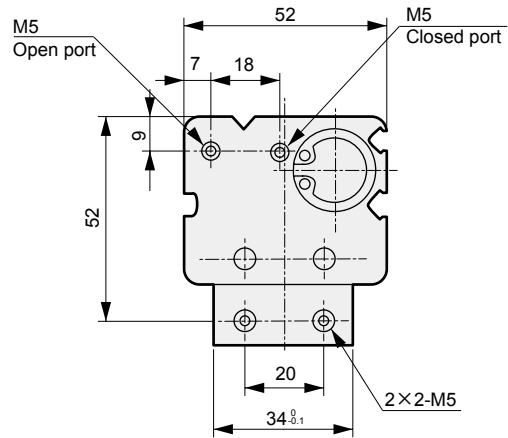
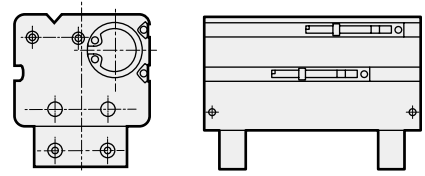
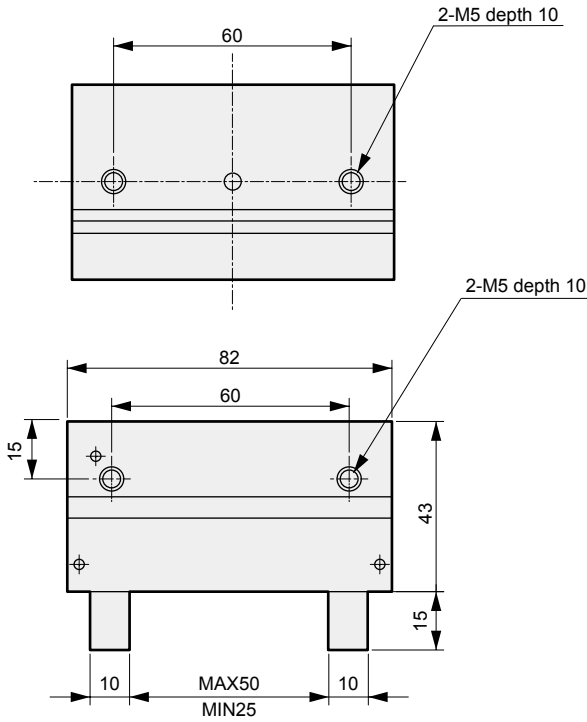
LSH-HP
LSH
FH100
BSA2
BHA/BHG
LHA
LHAG
HAP
HKP
HCP
HGP
HLF2
HLA/HLB
HLAG/HLBG
HLC
HLD
HMF
HMF-G
HMFB
HFP
FH500
HBL
HJL
HMD
HDL
HJD
BHE

Dimensions



● HLA-20CS Standard

● With switch



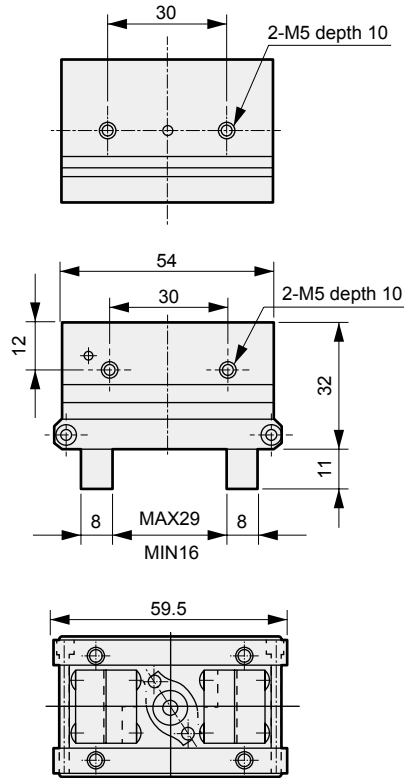
LCM
LCR
LCG
LCW
LCX
STM
STG
STS/STL
STR2
UCA2
ULK*
JSK/M2
JSG
JSC3/JSC4
USSD
UFCD
USC
UB
JSB3
LMB
LML
HCM
HCA
LBC
CAC4
UCAC2
CAC-N
UCAC-N
RCS2
RCC2
PCC
SHC
MCP
GLC
MFC
BBS
RRC
GRC
RV3*
NHS
HRL
LN
Hand
Chuk
MecHnd/Chuk
ShkAbs
FJ
FK
SpdContr
Ending

LSH-HP
LSH
FH100
BSA2
BHA/BHG
LHA
LHAG
HAP
HKP
HCP
HGP
HLF2
HLA/HLB
HLAG/HLBG
HLC
HLD
HMF
HMF-G
HMFB
HFP
FH500
HBL
HJL
HMD
HDL
HJD
BHE

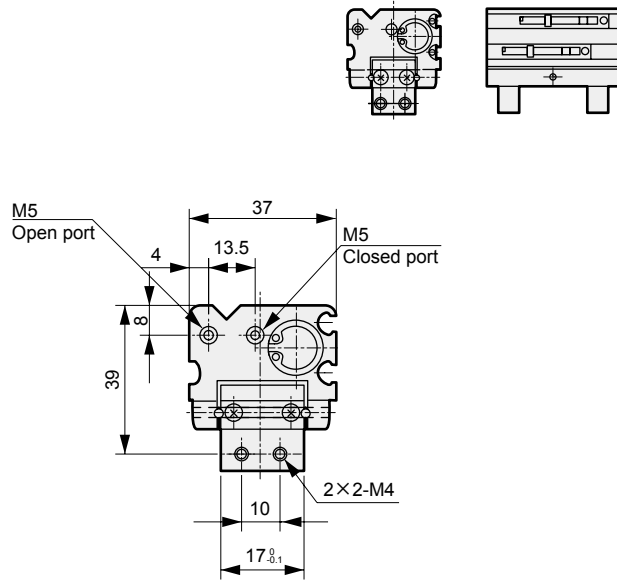
Dimensions



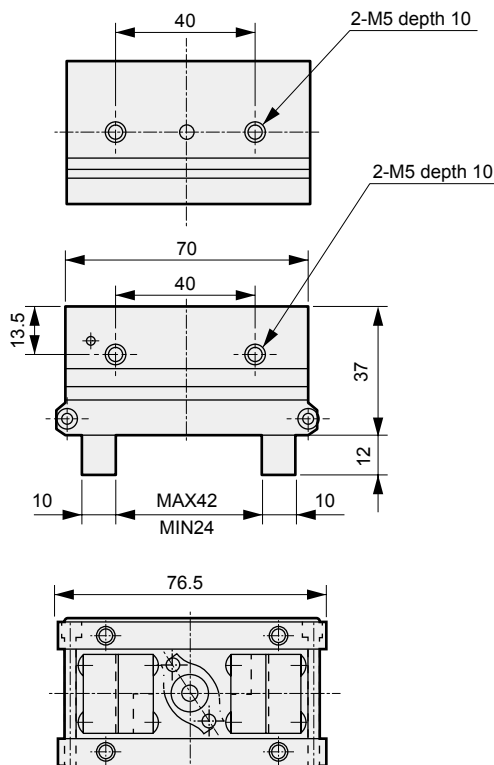
● HLB-12CS Standard



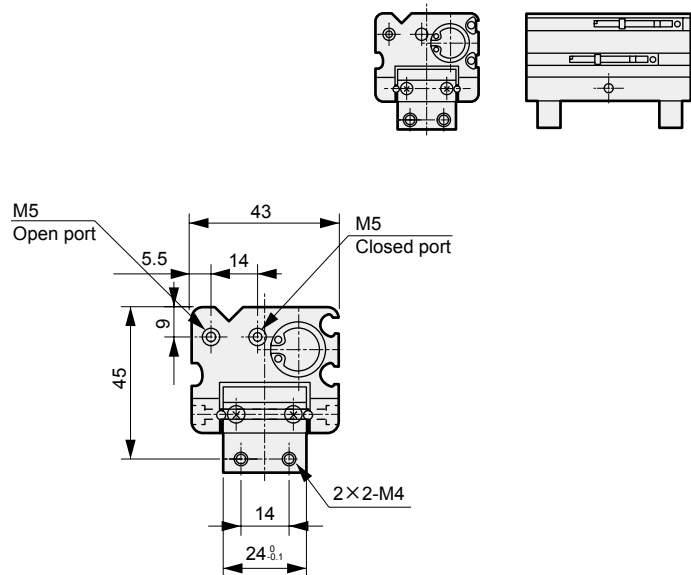
● With switch



● HLB-15CS Standard



● With switch



LCM
LCR
LCG
LCW
LCX
STM
STG
STS/STL
STR2
UCA2
ULK*
JSK/M2
JSG
JSC3/JSC4
USSD
UFCD
USC
UB
JSB3
LMB
LML
HCM
HCA
LBC
CAC4
UCAC2
CAC-N
UCAC-N
RCS2
RCC2
PCC
SHC
MCP
GLC
MFC
BBS
RRC
GRC
RV3*
NHS
HRL
LN

Hand

Chuk
MechHnd/Chuk
ShkAbs
FJ
FK
SpdContr

Ending

LSH-HP
LSH
FH100
BSA2
BHA/BHG
LHA
LHAG
HAP
HKP
HCP
HGP
HLF2
HLA/HLB
HLAG/HLBG
HLC
HLD
HMF
HMF-G
HMFB
HFP
FH500
HBL
HJL
HMD
HDL
HJD
BHE