

BIBUS

BIBUS SINDBY



Kabinet- og handskerumslåse

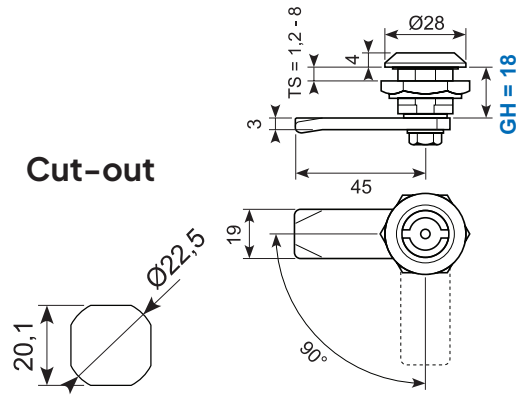
Compartment locks

Hus: Støbt zink, forkromet eller sortmalet
Indlæg: Støbt zink, forkromet eller sortmalet
Møtrik: Galvaniseret, støbt zink
Tunge: Plastik eller galvaniseret stål
XXX: uden tunge
Tunger: side 51 – 53. **Nøgler:** side 59 – 60.

Housing: Die-cast zinc, chrome plated or black coated
Insert: Die-cast zinc, chrome plated or black coated
Nut: Galvanized, die-cast zinc
Cam: Plastic or galvanized steel
XXX: without cam
Cams: page 51 – 53. Keys: page 59 – 60.



Cut-out

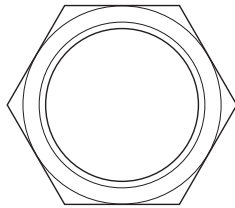


GH = 18

	Indlægstype Insert types	Forkromet Chrome plated	Sortmalet Black coated	Forkromet med flad tunge Chrome plated with flat cam
	Dobbelt bit Double bit 3 mm	56.1821-201-XXX	56.1831-301-XXX	* 56.1821-201-218
	Dobbelt bit Double bit 5 mm	56.1821-202-XXX	56.1831-302-XXX	* 56.1821-202-218
	Trekantet Triangular 8 mm	56.1821-203-XXX	56.1831-303-XXX	* 56.1821-203-218
	Trekantet Triangular 9 mm	56.1821-209-XXX	56.1831-309-XXX	* 56.1821-209-218 *
	Firkantet Square 7 mm	56.1821-204-XXX	56.1831-304-XXX	* 56.1821-204-218
	Firkantet Square 8 mm	56.1821-205-XXX	56.1831-305-XXX	* 56.1821-205-218
	Kærvet Slotted	56.1821-208-XXX	56.1831-308-XXX	* 56.1821-208-218 *
	Østeuropa Eastern Europe	56.1821-210-XXX *	56.1831-310-XXX *	

56.YZE117TCK

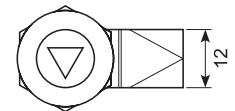
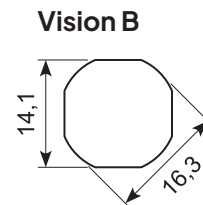
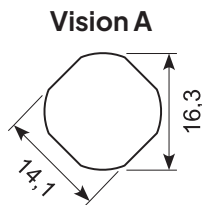
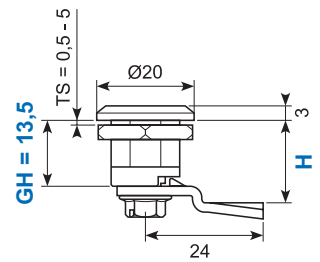
Møtrik til 1801/1821 hus, galvaniseret.
 Nut for 1801/1821 housing, galvanized.



Mini kvartomdrejningslås Mini quarter turn

Hus: Støbt zink, sortmalet eller forkromet
Indlæg: Støbt zink, sortmalet eller forkromet
Møtrik: Galvaniseret støbt zink
Tunge: Galvaniseret stål
XXX: uden tunge
Tunger: 56.1900-6XX - side 51
Nøgler: side 59 – 60

Housing: Die-cast zinc, black coated or chrome plated
Insert: Die-cast zinc, black coated or chrome plated
Nut: Galvanized, die-cast zinc
Cam: Galvanized steel
XXX: without cam
Cams: 56.1900-6XX - page 51
Keys: page 59 – 60



GH = 13,5

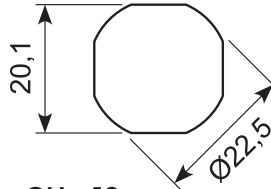
	Indlægstype Insert types	Forkromet Chrome plated Cutout version A	Sortmalet Black coated Cutout version A	Forkromet Chrome plated Cutout version B	Sortmalet Black coated Cutout version B
	Firkantet Square 6 mm	56.1824-201-XXX *	56.1824-301-XXX *	56.1824-201-XXX *	56.1824-301-XXX *
	Trekantet Triangular 6,5 mm	56.1824-202-XXX *	56.1824-302-XXX *	56.1824-202-XXX *	56.1824-302-XXX *
	Kærvet Slotted	56.1824-203-XXX *	56.1824-303-XXX *	56.1824-203-XXX *	56.1824-303-XXX *

Hus: Polyamid (PA6 GFR30), sort støbt zink, forkromet eller sortmalet
Indlæg: Polyamid (PA6 GFR30), sort støbt zink, forkromet eller sortmalet
Møtrik: Plastik eller galvaniseret støbt zink
Tunge: Plastik eller galvaniseret stål
XXX: uden tunge.
Tunger: side 51 – 53. **Nøgler:** side 59 – 60.

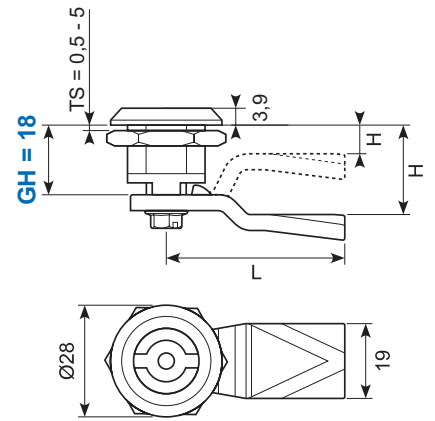
Housing: Polyamide (PA6 GFR30), black die-cast zinc, chrome plated or black coated
Insert: Polyamide (PA6 GFR30), black die-cast zinc, chrome plated or black coated
Nut: Plastic or zinc die, galvanized
Cam: Plastic or galvanized steel
XXX: without cam.
Cams: page 51 - 53. Keys: page 59 - 60.



Cut-out



GH = 18



	Indlægstype Insert types	PA med tunge PA with cam	Nylon PA	Forkromet Chrome plated	Sortmalet Black coated
	Dobbelt bit Double bit 3 mm		56.1810-101-XXX *	56.1820-201-XXX *	56.1830-301-XXX *
	Dobbelt bit Double bit 3 mm				56.1830-201-XXX Krom insert Chrome insert
	Dobbelt bit Double bit 5 mm	56.1810-102-230 H = 30			
		56.1810-102-101 H = 18	56.1810-102-XXX *	56.1820-202-XXX *	56.1830-302-XXX *
	Trekantet Triangular 8 mm	56.1810-103-101 H = 18	56.1810-103-XXX *	56.1820-203-XXX *	56.1830-303-XXX *
	Trekantet Triangular 9 mm		56.1810-109-XXX *	56.1820-209-XXX *	56.1830-309-XXX *
	Firkantet Square 7 mm		56.1810-104-XXX *	56.1820-204-XXX *	56.1830-304-XXX *
	Firkantet Square 8 mm	56.1810-105-101 H = 18	56.1810-105-XXX *	56.1820-205-XXX *	56.1830-305-XXX *
	Kærvet Slotted		56.1810-108-XXX *	56.1820-208-XXX *	56.1830-308-XXX *
	Østeuropa		56.1810-110-XXX *	56.1820-210-XXX *	56.1830-310-XXX *
	Indvendig sekskant 8 mm			56.1820-206-XXX *	56.1830-306-226 Med tunge H=26 With cam H=26

Rustfri kvartomdrejningslås Stainless quarter turn

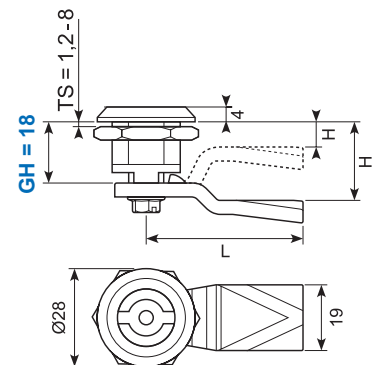
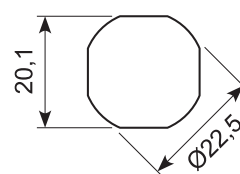
Hus og indlæg: Rustfrit stål, AISI 316
Tunge: Rustfrit stål, AISI 304
XXX: uden tunge.
Tunger: Side 51 – 53. **Nøgler:** Side 59 – 60.

Housing and Insert: Stainless steel, AISI 316
Cam: Stainless steel, AISI 304
XXX: without cam.
Cams: Page 51 – 53. Keys: Page 59 – 60.

GH = 18



Cut-out



	Indlægstype Insert types	Rustfri, uden tunge Stainless, without cam	Sortmalet, med tunge Black coated, with cam
	Dobbelt bit Double bit 3 mm	56.1511-001-XXX	* 56.1511-001-5226 H = 26
	Dobbelt bit Double bit 5 mm	56.1511-002-XXX	*
	Trekantet Triangular 8 mm	56.1511-003-XXX	*
	Firkantet Square 8 mm	56.1511-005-XXX	* 56.1511-005-5226 H = 26
	Kærvet Slotted	56.1511-008-XXX	*

Sikret kvartomdrejningslås Secure quarter turn

Hus: Støbt zink, forkromet eller sortmalet
 Indlæg: Støbt zink, forkromet eller sortmalet
 Møtrik: Støbt zink, galvaniseret
 Tunge: Plastik eller stål, galvaniseret
 XXX: uden tunge.
 Tunger: side 51 - 53. Nøgler: side 59 - 60.

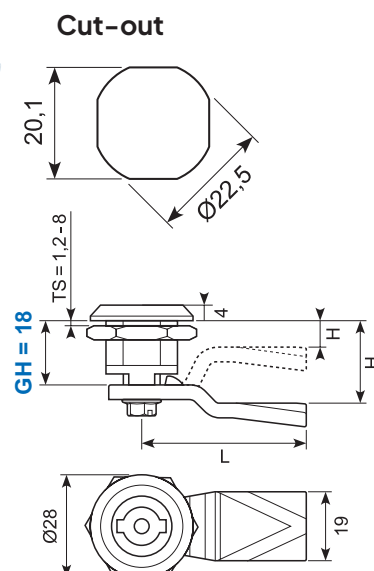
Housing: Die-cast zinc, chrome plated or black coated
 Insert: Die-cast zinc, chrome plated or black coated
 Nut: Zinc die, galvanized
 Cam: Plastic or steel, galvanized
 XXX: without cam
 Cams: page 51 - 53. Keys: page 59 - 60.

Pga. næsen på huset er det nødvendigt at skubbe og dreje kvartomdrejningslåsen for at låse den op. Den kan ikke åbnes ved vibration.

Due to the nose on the housing it is necessary to push and turn the quarter turn to unlock it. It cannot be opened by vibration.



GH = 18

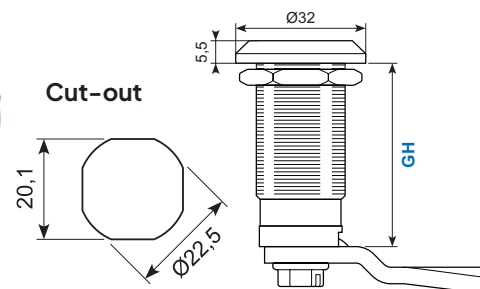


	Indlægstyper Insert types	Forkromet Chrome plated	Forkromet m. tunge Chrome plated w. cam	Sortmalet Black coated	Sortmalet med tunge Black coated w. cam
	Dobbelt bit Double bit 3 mm	56.1842-201-XXX *		56.1852-301-XXX *	56.1852-301-206 H = 6
	Dobbelt bit Double bit 5 mm	56.1842-202-XXX *		56.1852-302-XXX *	
	Trekantet Triangular 8 mm	56.1842-203-XXX *		56.1852-303-XXX *	
	Trekantet Triangular 9 mm	56.1842-209-XXX	56.1842-209-218 H = 18	56.1852-309-XXX *	
	Firkantet Square 7 mm	56.1842-204-XXX *		56.1852-304-XXX *	
	Firkantet Square 8 mm	56.1842-205-XXX		56.1852-305-XXX *	
	Kærvet Slotted	56.1842-208-XXX *		56.1852-308-XXX *	
	Østeuropa Eastern Europe	56.1842-210-XXX *		56.1852-310-XXX *	

Lang kvartomdrejningslås Long quarter turn

Hus: Støbt zink, forkromet eller sortmalet
 Indlæg: Støbt zink, forkromet eller sortmalet
 Møtrik: Støbt zink, galvaniseret
 XXX: uden tunge
 Tunger: side 51 - 53. Nøgler: side 59 - 60.

Housing: Die-cast zinc, chrome plated or black coated
 Insert: Die-cast zinc, chrome plated or black coated
 Nut: Zinc die, galvanized
 XXX: without cam
 Cams: page 51 - 53. Keys: page 59 - 60.

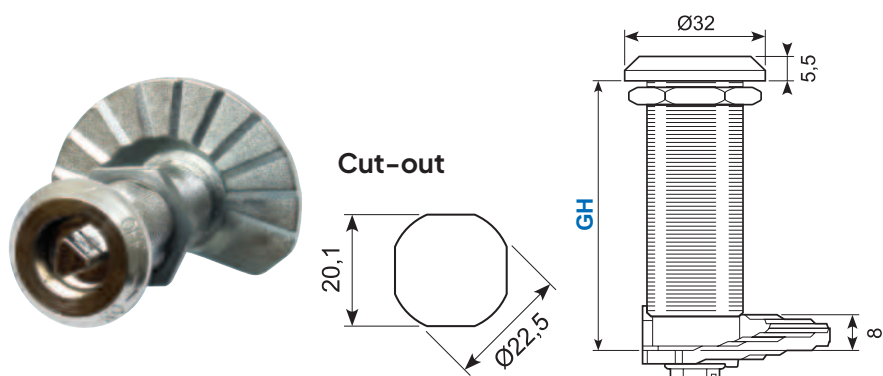


	Indlægstyper Insert types	GH = 35	GH = 45	GH = 55	GH = 65
	Dobbelt bit Double bit 3 mm	56.1123-201-XXX *	56.1124-201-XXX *	56.1125-201-XXX *	56.1126-201-XXX *
	Dobbelt bit Double bit 5 mm	56.1123-202-XXX *	56.1124-202-XXX *	56.1125-202-XXX *	56.1126-202-XXX *
	Trekantet Triangular 8 mm	56.1123-203-XXX *	56.1124-203-XXX *	56.1125-203-XXX *	56.1126-203-XXX *
	Trekantet Triangular 9 mm	56.1123-209-XXX	56.1124-209-XXX *	56.1125-209-XXX	56.1126-209-XXX
	Firkantet Square 7 mm	56.1123-204-XXX *	56.1124-204-XXX *	56.1125-204-XXX *	56.1126-204-XXX *
	Firkantet Square 8 mm	56.1123-205-XXX	56.1124-205-XXX	56.1125-205-XXX	56.1126-205-XXX
	Kærvet Slotted	56.1123-208-XXX	56.1124-208-XXX *	56.1125-208-XXX *	56.1126-208-XXX *
	Østeuropa Eastern Europe	56.1123-210-XXX *	56.1124-210-XXX *	56.1125-210-XXX *	56.1126-210-XXX *
	Trekantet Triangular 8 mm			56.1125-203-222	med tunge

Trinvis kvartomdrejningslås Stepped quarter turn

Hus: Støbt zink, forkromet eller sortmalet
Indlæg: Støbt zink, forkromet eller sortmalet
Møtrik: Støbt zink, galvaniseret
Nøgler: side 59 - 60

Housing:
 Die-cast zinc, chrome plated or black coated
Insert:
 Die-cast zinc, chrome plated or black coated
Nut: Zinc die, galvanized
Keys: page 59 - 60

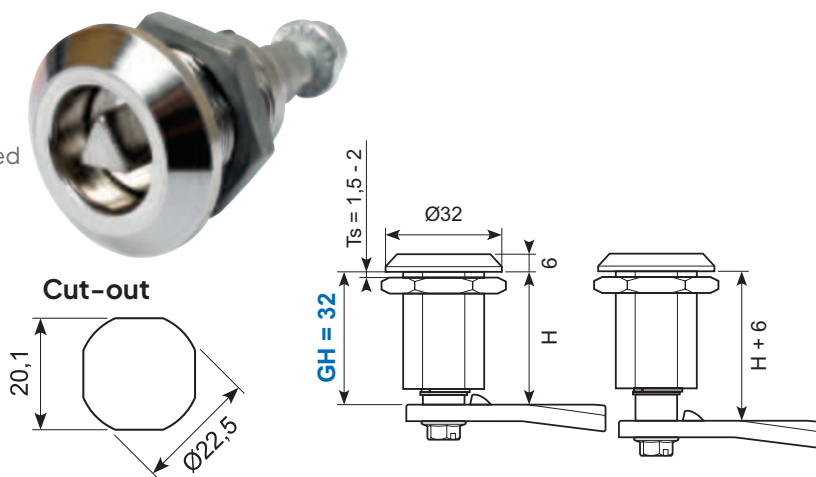


	Indlægstyper Insert types	GH = 30	GH = 40	GH = 50	GH = 60
	Dobbelt bit Double bit 3 mm	56.1023-201 *	56.1024-201 *	56.1025-201 *	56.1026-201 *
	Dobbelt bit Double bit 5 mm	56.1023-202 *	56.1024-202 *	56.1025-202 *	56.1026-202 *
	Trekantet Triangular 8 mm	56.1023-203 *	56.1024-203 *	56.1025-203 *	56.1026-203 *
	Trekantet Triangular 9 mm	56.1023-209 *	56.1024-209 *	56.1025-209 *	56.1026-209 *
	Firkantet Square 7 mm	56.1023-204 *	56.1024-204 *	56.1025-204 *	56.1026-204 *
	Firkantet Square 8 mm	56.1023-205 *	56.1024-205 *	56.1025-205 *	56.1026-205 *
	Kærvet Slotted	56.1023-208 *	56.1024-208 *	56.1025-208 *	56.1026-208 *
	Østeuropa Eastern Europe	56.1023-210 *	56.1024-210 *	56.1025-210 *	56.1026-210 *

Kompressionslås Compression latch

Hus: Støbt zink, forkromet eller sortmalet
Indlæg: Støbt zink, forkromet eller sortmalet
Møtrik: Støbt zink, galvaniseret
Tunge: Plastik eller galvaniseret stål
XXX: uden tunge.
Tunger: side 51 - 53
Nøgler: side 59 - 60

Housing: Die-cast zinc, chrome plated or black coated
Insert: Die-cast zinc, chrome plated or black coated
Nut: Die-cast zinc, galvanized
Cam: Plastic or galvanized steel
XXX: uden tunge.
Cams: page 51 - 53
Keys: page 59 - 60



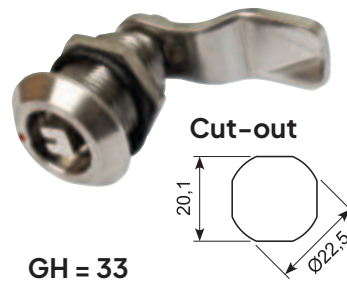
GH = 32

	Indlægstyper Insert types	Forkromet Chrome plated	Sortmalet Black coated
	Dobbelt bit Double bit 3 mm	56.1044-201-XXX *	56.1044-301-XXX *
	Dobbelt bit Double bit 5 mm	56.1044-202-XXX *	56.1044-302-XXX *
	Trekantet Triangular 8 mm	56.1044-203-XXX *	56.1044-303-XXX *
	Trekantet Triangular 9 mm	56.1044-209-XXX *	56.1044-309-XXX *
	Firkantet Square 7 mm	56.1044-204-XXX *	56.1044-304-XXX *
	Firkantet Square 8 mm	56.1044-205-XXX *	56.1044-305-XXX *
	Kærvet Slotted	56.1044-208-XXX *	56.1044-308-XXX *
	Østeuropa Eastern Europe	56.1044-210-XXX *	56.1044-310-XXX *

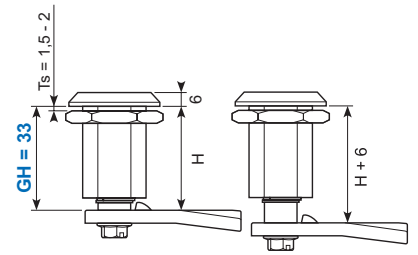
Rustfri kompressionslås *Stainless compression latch*

Hus og indlæg: Rustfrit stål, AISI 316
Tunge: Rustfrit stål, AISI 304
Anti-vibrationsspændeskive: Rustfrit stål, AISI 304
XXX: uden tunge.
Tunger: side 51 - 53.
Nøgler: side 59 - 60.

Housing and insert: Stainless steel, AISI 316
Cam: Stainless steel, AISI 304
Anti-vibration washer: Stainless steel, AISI 304
XXX: without cam.
Cams: page 51 - 53
Keys: page 59 - 60



GH = 33



Indlægstype <i>Insert types</i>	Rustfri uden tunge <i>Stainless without cam</i>	Rustfri med tunge <i>Stainless with cam</i>
⊗ Dobbelt bit Double bit 3 mm	56.1544-001-XXX *	
⊗ Dobbelt bit Double bit 5 mm	56.1544-002-XXX *	
△ Trekantet Triangular 7 mm	56.1544-007-XXX *	
△ Trekantet Triangular 8 mm	56.1544-003-XXX *	
◊ Firkantet Square 8 mm	56.1544-005-XXX *	56.1544-005-5210 H = 25 56.1544-005-5216 H = 31 56.1544-005-5218 H = 33
⊘ Kærvet Slotted	56.1544-008-XXX *	56.1544-005-5226 H = 41

56.1544-100

50.15349

56.1501-000-XXX

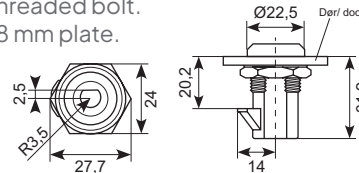
Anti-vibrationsspændeskive.
 Ø36 mm.
 Anti-vibration washer. Ø36 mm.



16.382

Kabinet smæklås,
 krom. Med pakning
 og møtrik.
 Maks. 8 mm plade.

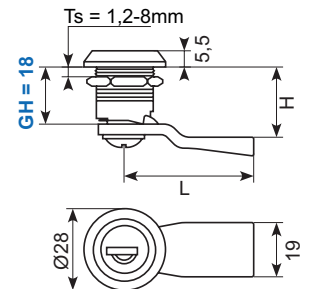
Cabinet latch,
 chrome. With gasket
 and threaded bolt.
 Max. 8 mm plate.



16.390

Kvartomdrejningslås,
 kode 3333. *

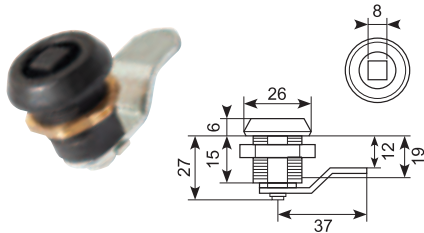
Quarter
 turn lock,
 code 3333.



16.395

Sortlakeret kabinetlås med rund front.
 Til 8 mm firkantnøgle.

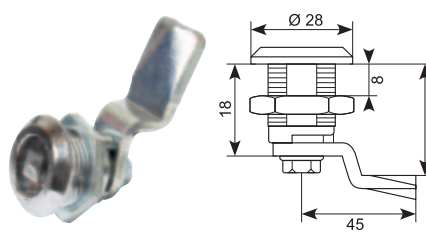
Black coated compartment lock with
 round front. With 8 mm square plug.



16.398

Skabslås med kort hus og lang tunge.
 8 mm firkant. H = 28

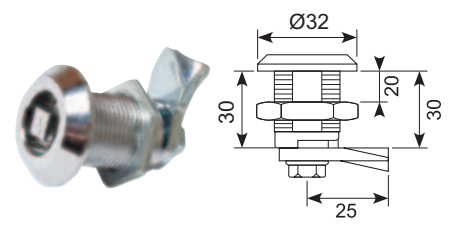
Compartment lock with short house and
 long cam. 8 mm square. H = 28



16.381

Skabslås med langt hus og kort tunge.
 8 mm firkant. H = 30

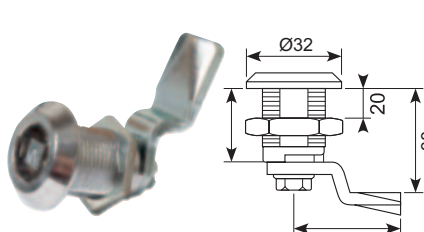
Compartment lock with long house and
 short cam. 8 mm square. H = 30



50.13197-4

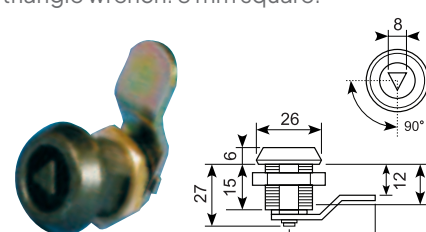
Skabslås med langt hus og lang tunge.
 8 mm firkant. H = 38

Compartment lock with long house and
 long tongue. 8 mm square. H = 38



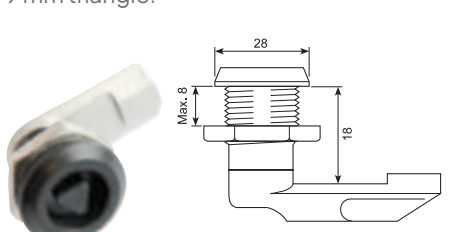
Kabinetlås med rund front.
 Til trekantnøgle. 8 mm trekant.

Compartment lock with round front. For
 triangle wrench. 8 mm square.



Kabinetlås i nylonhus.
 Rustfri tunge. 9 mm trekant. ●

Nylon compartment lock. Stainless cam.
 9 mm triangle.



Mini kvartomdrejningslås med T-greb *Mini quarter-turn wing knob*

Kvartomdrejningslås med T-greb.

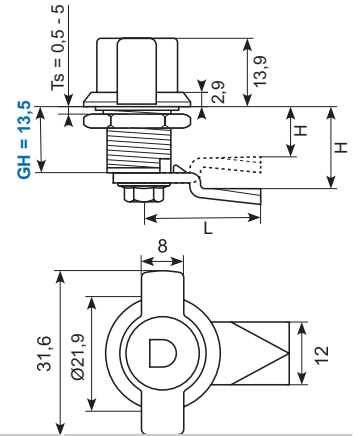
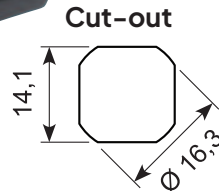
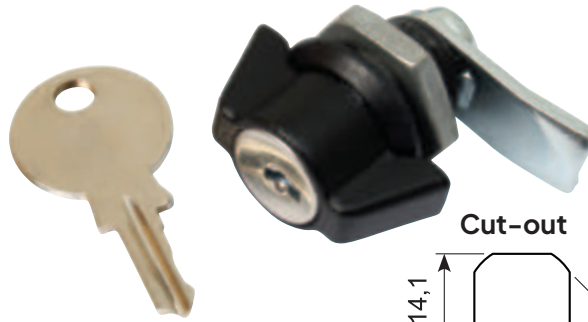
XXX: uden tunge.

Tunger: side 51 - 53

Quarter turn lock with T-handle.

XXX: without cam.

Cams: page 51 - 53



	Forkromet uden tunge <i>Chrome plated without cam</i>	Forkromet med tunge <i>Chrome plated with cam</i>	Sortmalet uden tunge <i>Black coated without cam</i>	Sortmalet med tunge <i>Black coated with cam</i>
Uden lås Without lock	56.1014-210-XXX *		56.1014-220-XXX	56.1014-220-602 H=13,5
Nøglekode Key code 2222	56.1014-910-XXX *	56.1014-910-602 H=13,5	56.1014-920-XXX	56.1014-920-602 H=13,5

Kvartomdrejningslås med T-greb *Quarter-turn wing knob*

Kvartomdrejningslås med T-greb.

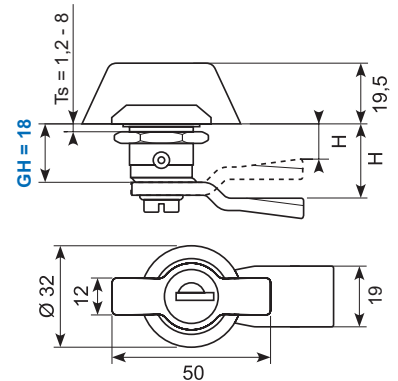
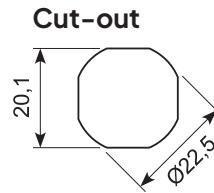
XXX: uden tunge.

Tunger: side 51 - 53

Quarter turn lock with T-handle.

XXX: without cam.

Cams: page 51 - 53



	PA på støbt zink uden tunge <i>PA over zinc cast without cam</i>	PA på støbt zink med tunge <i>PA over zinc cast with cam</i>	Forkromet uden tunge <i>Chrome plated without cam</i>	Forkromet med tunge <i>Chrome plated with cam</i>	Sortmalet uden tunge <i>Black coated without cam</i>	Sortmalet med tunge <i>Black coated with cam</i>
Uden lås Without lock	56.1015-100-XXX	56.1015-100-222 H=22	56.1015-210-XXX *		56.1015-220-XXX	56.1015-220-224 H=24
Nøglekode Key code 3333	56.1015-900-XXX	56.1015-900-218 H=18 56.1015-900-222 H=22	56.1015-910-XXX	56.1015-910-218 H=18	56.1015-920-XXX	56.1015-920-224 H=24

Rustfri lås med T-greb *Stainless wing knob*

Hus og indlæg: Rustfrit stål, AISI 316

Tunge: Rustfrit stål, AISI 316

XXX: uden tunge

Tunger: side 51 - 53

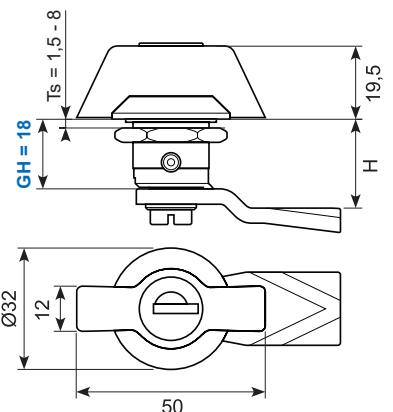
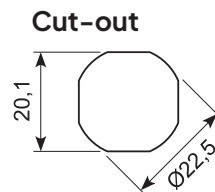
Housing and insert:

Stainless steel, AISI 316

Cam: Stainless steel, AISI 304

XXX: without cam

Cams: page 51 - 53



	Rustfri stål AISI 316 Stainless steel AISI 316
Uden lås Non-Locking	56.1515-500-XXX
Nøglekode Key code 3333	56.1515-503-XXX *

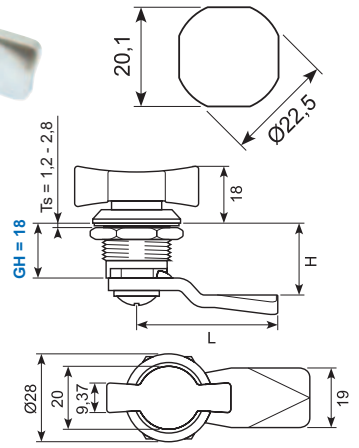
Kvartomdrejningslås med T-greb *Quarter turn wing knob*

PA: Nylon PA6 6FR30

XXX: uden tunge **Tunger:** side 51 - 53

XXX: without cam **Cams:** page 51 - 53

Cut-out



Hus og T-greb: PA <i>Housing and Wing knob: PA</i>	Hus: PA T-greb: PA på støbt zink Housing: PA Wing knob: PA over zinc cast	Med tunge Hus: PA T-greb: PA på støbt zink With cam Housing: PA Wing knob: PA over zinc cast	Hus: Sortmalet støbt zink T-greb: PA på støbt zink Housing: Zinc cast, black coated Wing Knob: PA over zinc cast
56.1001-200-XXX	56.1001-220-XXX *	56.1001-220-226 H=26	56.1011-320-XXX *

T-greb med langt hus *Long body wing knob*

Zink hus og nylon 1011A T-greb

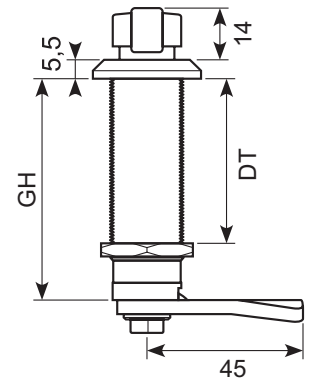
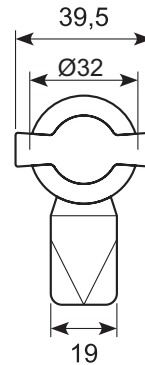
Flad tunge: L: 45 mm

Huslængde: 64,5 mm

Zinc housing and nylon 1011A T-handle

Straight cam, L: 45 mm

Housing length: 64,5 mm



Varenummer <i>Item no.</i>	DT mm	GH mm
56.1123-295-218	*	20
56.1124-295-218		30
56.1125-295-218	*	40
56.1126-295-218		50

Kvartomdrejnings-mini-T-greb *Mini wing knob quarter turn*

Hus: Sort trykstøbt zink, forkromet eller sortmalet

Indlæg: Sort trykstøbt zink, forkromet eller sortmalet

Møtrik: Trykstøbt zink, galvaniseret

Tunge: Galvaniseret stål

XXX: uden tunge

Tunger: side 51 - 53

Housing: Zinc die, black coated or chrome plated

Insert: Zinc die, black coated or chrome plated

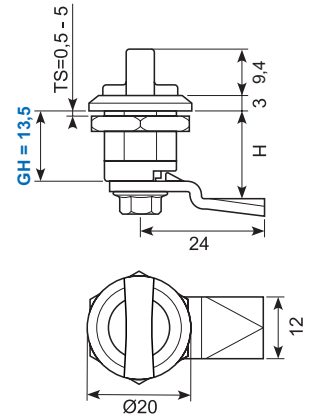
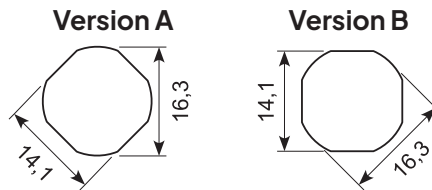
Nut: Zinc die, galvanized

Cam: Galvanized steel

XXX: without cam.

Cams: page 51 - 53

GH = 13,5

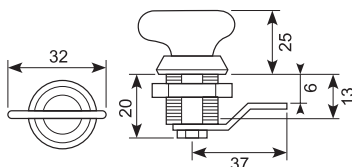


Cutout	Forkromet <i>Chrome plated</i>	Sortmalet <i>Black coated</i>	Sortmalet med tunge <i>Black coated with cam</i>
Version A	56.1825-204-XXX	56.1825-304-XXX	56.1825-304-602 H=13,5
Version B	56.1824-204-XXX	56.1824-304-XXX *	

16.363

Handskerumslås med rund front og en sortlakeret fast nøgle.

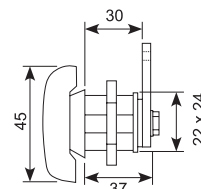
Compartment lock with rounded tongue and black coated fixed key.



11.240

Alloy/krom mini T-greb med lås. Inkl. 2 nøgler.

Alloy/chrome mini T-handle with locking. Incl. 2 keys.



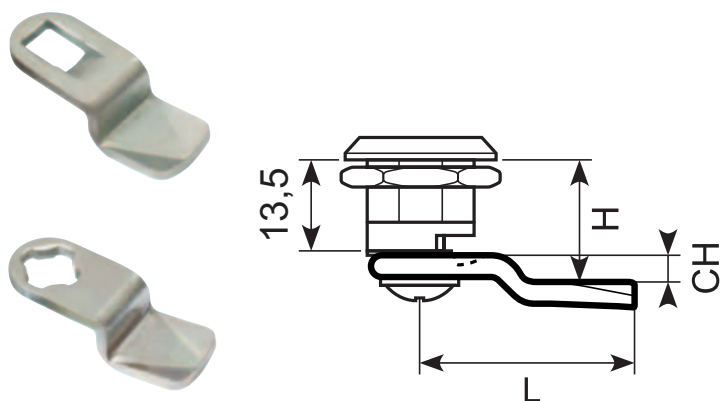
Rotation: 180°



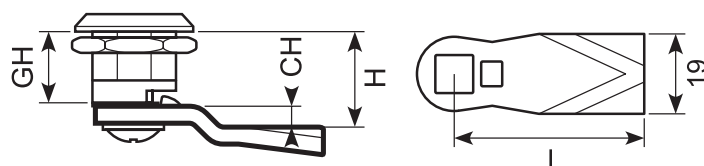
Udstansede ståltunger Punched steel cams

Varenummer Item no.	XXX	CH	L	H
56.1900-604	604	-6	24	7,5
56.1900-602	602	0	24	13,5
56.1900-603	603	6	24	19,5

Varenummer Item no.	XXX	CH	L	H
56.1900-704	704	-6	24	7,5
56.1900-702	702	0	24	13,5
56.1900-705S *	705S	1,5	30	15
56.1900-703	703	6	24	19,5



Udstansede ståltunger Punched steel cams



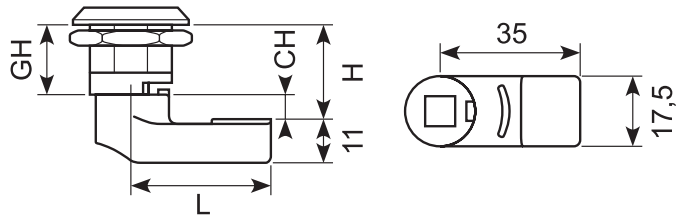
L: 35

Varenummer Item no.	XXX	CH	L	GH=15 H	GH=18 H	GH=20 H	GH=30 H	GH=40 H	GH=50 H	GH=60 H
56.1900-316 *	316	-2	35	13	16	18	28	38	48	58
56.1900-318 *	318	0	35	15	18	20	30	40	50	60
56.1900-320 *	320	2	35	17	20	22	32	42	52	62
56.1900-322 *	322	4	35	19	22	24	34	44	54	64
56.1900-324 *	324	6	35	21	24	26	36	46	56	66
56.1900-325 *	325	7	35	22	25	27	37	47	57	67
56.1900-326 *	326	8	35	23	26	28	38	48	58	68
56.1900-328	328	10	35	25	28	30	40	50	60	70
56.1900-330 *	330	12	35	27	30	32	42	52	62	72

L: 45 / 55

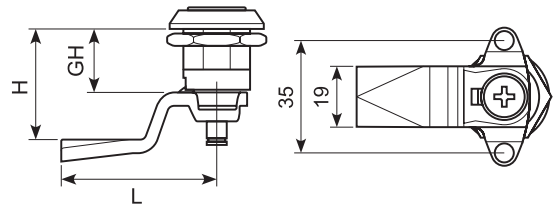
Varenummer Item no.	XXX	CH	L	GH=15 H	GH=18 H	GH=20 H	GH=30 H	GH=40 H	GH=50 H	GH=60 H
56.1900-204	204	-14	45	1	4	6	16	26	36	46
56.1900-206	206	-12	45	3	6	8	18	28	38	48
56.1900-210	210	-8	45	7	10	12	22	32	42	52
56.1900-212	212	-6	45	9	12	14	24	34	44	54
56.1900-214	214	-4	45	11	14	16	26	36	46	56
56.1900-218	218	0	45	15	18	20	30	40	50	60
56.1900-218S	218	0	55	15	18	20	30	40	50	60
56.1900-220	220	2	45	17	20	22	32	42	52	62
56.1900-222	222	4	45	19	22	24	34	44	54	64
56.1900-224	224	6	45	21	24	26	36	46	56	66
56.1900-225	225	7	45	22	25	27	37	47	57	67
56.1900-226	226	8	45	23	26	28	38	48	58	68
56.1900-227	227	9	45	24	27	29	39	49	59	69
56.1900-228	228	10	45	25	28	30	40	50	60	70
56.1900-230	230	12	45	27	30	32	42	52	62	72
56.1900-234	234	16	45	31	34	36	46	56	66	76
56.1900-235 *	235	17	45	32	35	37	47	57	67	77
56.1900-236	236	18	45	33	36	38	48	58	68	78
56.1900-242	242	24	45	39	42	44	54	64	74	84
56.1900-244	244	26	45	41	44	46	56	66	76	86

Plasttunger *Plastic cams*



Varenummer Item no.	XXX	CH	L	GH=15 H	GH=18 H	GH=20 H	GH=30 H	GH=40 H	GH=50 H	GH=60 H
56.1900-101 *	101	0	35	15	18	30	30	40	50	60
56.1900-102 *	102	4	35	19	22	24	34	44	54	64
56.1900-104 *	104	4	40	19	22	24	34	44	54	64
56.1900-103 *	103	6	35	21	24	26	36	46	56	66
56.1900-105 *	105	6	40	21	24	26	36	46	56	66

Udstansede ståltunger *Punched steel cams*

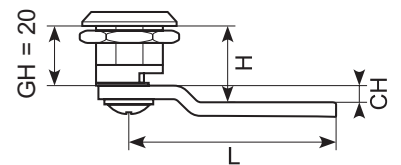


Varenummer Item no.	XXX	CH	L	GH=15 H	GH=18 H	GH=20 H	GH=30 H	GH=40 H	GH=50 H	GH=60 H
56.1900-155 *	418	0	55	15	18	20	30	40	50	60
56.1900-418	418	0	45	15	18	20	30	40	50	60
56.1900-420 *	420	2	45	17	20	22	32	42	52	62
56.1900-422 *	422	4	45	19	22	24	34	44	54	64
56.1900-424 *	424	6	45	21	24	26	36	46	56	66
56.1900-425 *	425	7	45	22	25	27	37	47	57	67
56.1900-426 *	426	8	45	23	26	28	38	48	58	68
56.1900-428 *	428	10	45	25	28	30	40	50	60	70
56.1900-430 *	430	12	45	27	30	32	42	52	62	72
56.1900-432 *	432	14	45	29	32	34	44	54	64	74

Udstansede ståltunger *Punched steel cams*



Varenummer Item no.	XXX	CH	L	GH=20 H
56.1900-801	801	0	53,5	20
56.1900-802	802	0	85	20
56.1900-803 *	803	1	53,5	21
56.1900-804	804	6	63	26
56.1900-805	805	13,5	76	33,5
56.1900-806 *	806	8	50	28



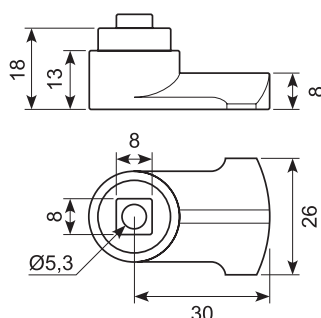
56.1900-605

56.1100-100-803

Flad zinkstøbt tunge.

Flat zinc casted cam.

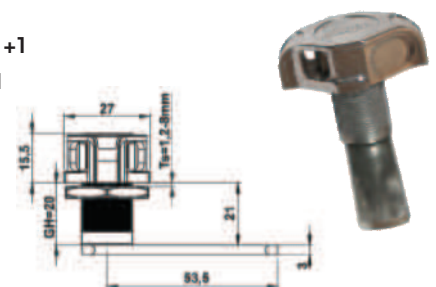
H: 25 mm

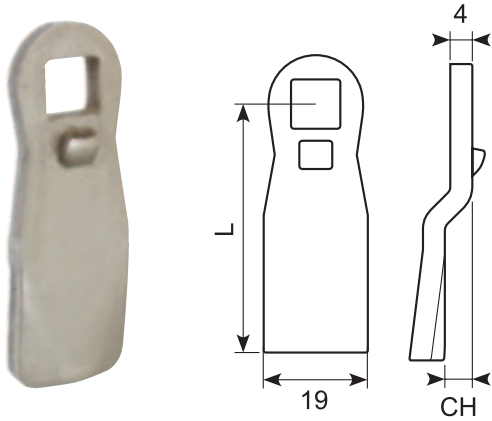


Garderobelås RH

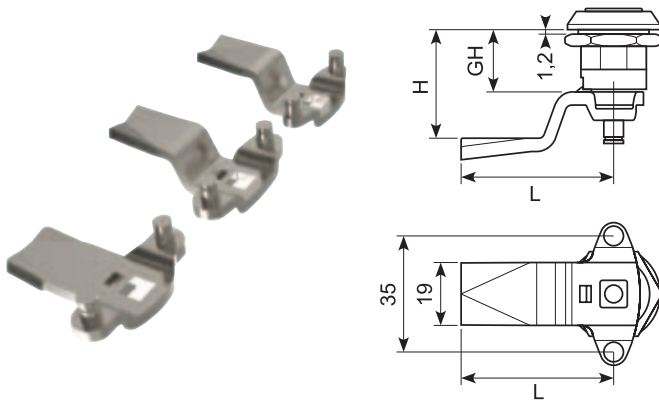
m/møtrik med tunge +1
53.5mm tunge, GH21

Wardrobe lock rh
with nut and cam +1
53,5mm cam, gh21





Varenummer Item no.	XXX	CH	L	GH=60 H
56.5900-206	5206	-12	45	6
56.5900-210	5210 *	-8	45	10
56.5900-214	5214 *	-4	45	14
56.5900-218	5218	0	45	18
56.5900-220	5220 *	2	45	20
56.5900-222	5222 *	4	45	22
56.5900-224	5224	6	45	24
56.5900-226	5226 *	8	45	26
56.5900-228	5228	10	45	28

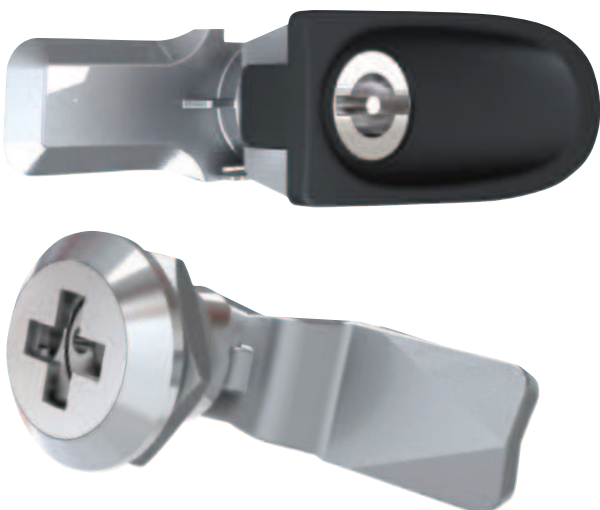


Varenummer Item no.	XXX	CH	L	GH=60 H
56.5900-422 *	5422	4	45	22
56.5900-428 *	5428	10	45	28

Elkomsan

I det nyeste katalog fra Elkomsan kan du finde flere tunger, låse og meget mere, som du kan bestille hos os. Find kataloget på vores hjemmeside bibus-sindby.dk

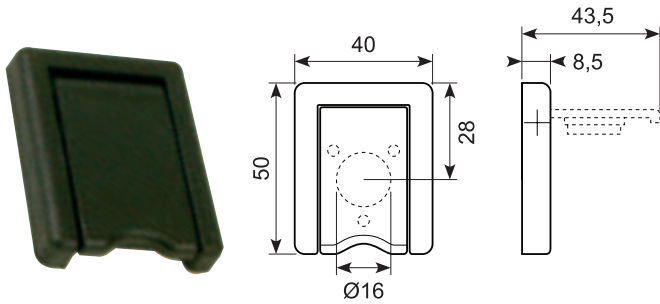
In the latest Elkomsan catalogue you can find more cams, locks and much more that you can order from us. Find the catalogue on our website bibus-sindby.dk



17.62583

Nøglehulsbeskytter - P144.

Keyhole protection - P144.

Fingregreb *Fingerpull*Varenummer
Item no.

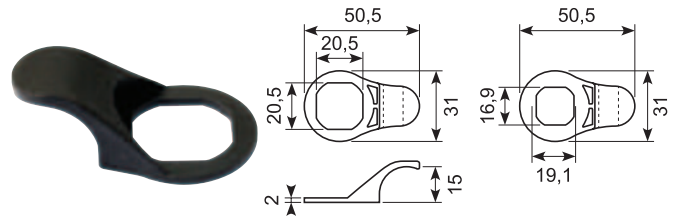
Applicable Cutouts

56.7203-001

20,1x22,5

56.7203-002

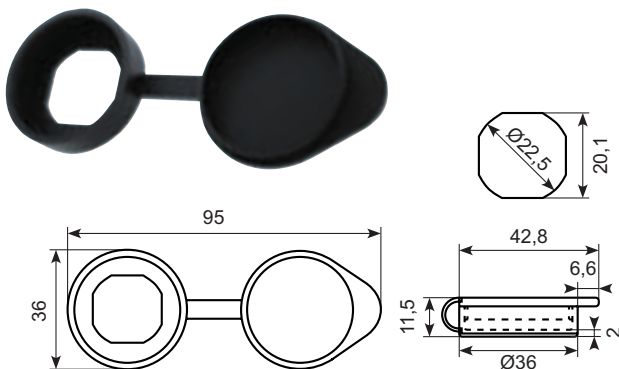
*

14,1x16,3
19,1x16,6

56.7210-001

Plastikcover.

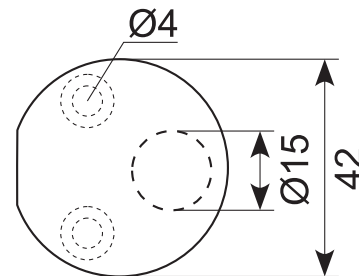
Plastic cover.



17.622

Forkrommet nøgleskilt med klap.

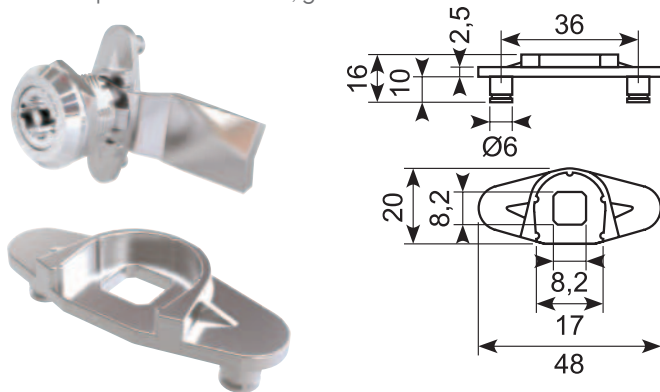
Chrome plated key plate with flap.



56.2900-405

Tungeadapter. Zinkstøbt, galvaniseret.

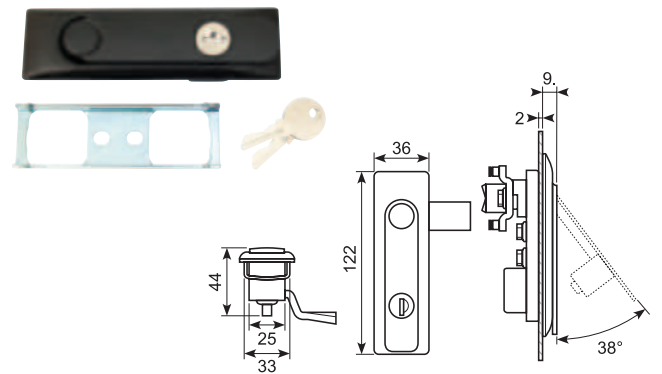
Cam adapter. Zinc die-cast, galvanized.



56.2102-113-XXX

Sort affæselig svinggreb uden tunge. Nøgle 3333.

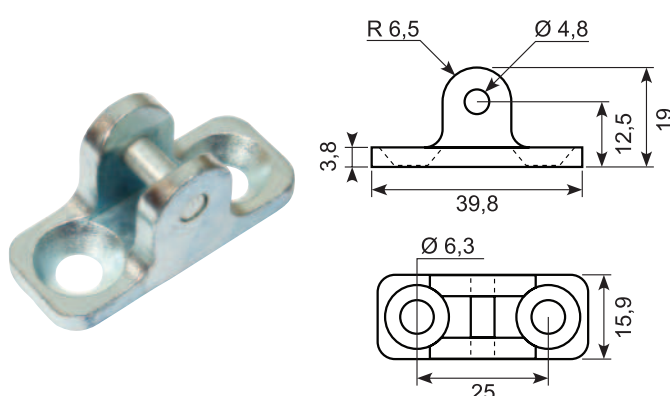
Black lockable swing handle without cam. Key 3333.



56.8513-001

Roller catcher. Zinkstøbt, rå.

Roller catcher. Zinc die-cast, raw.

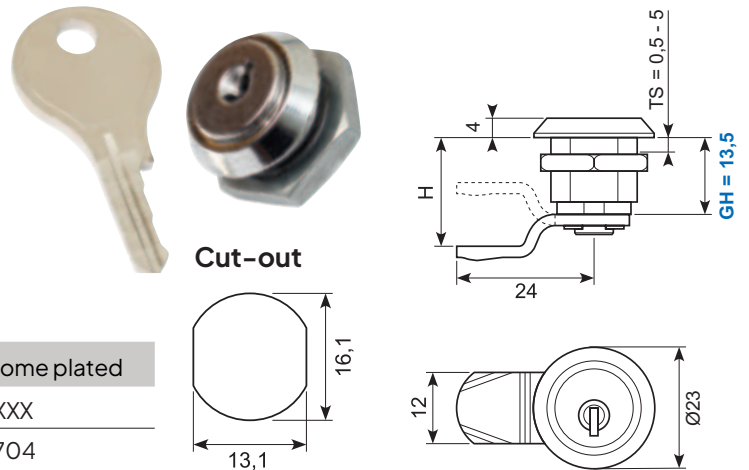


Mini kvartomdrejningslås med cylinder *Mini quarter turn with cylinder*

Hus: Trykstøbt zink, sortmalet eller forkromet
Indlæg: Trykstøbt zink, sortmalet eller forkromet
Møtrik: Trykstøbt, galvaniseret
Tunge: Stål, galvaniseret
Tunger: 56.1900-7XX (side 51) / 56.1900-8XX (side 52)
Housing: Zinc die, black coated or chrome plated
Insert: Zinc die, black coated or chrome plated
Nut: Zinc die, galvanized
Cam: Steel, galvanized
Cams: 56.1900-7XX (page 51) / 56.1900-8XX (page 52)

GH = 13,5

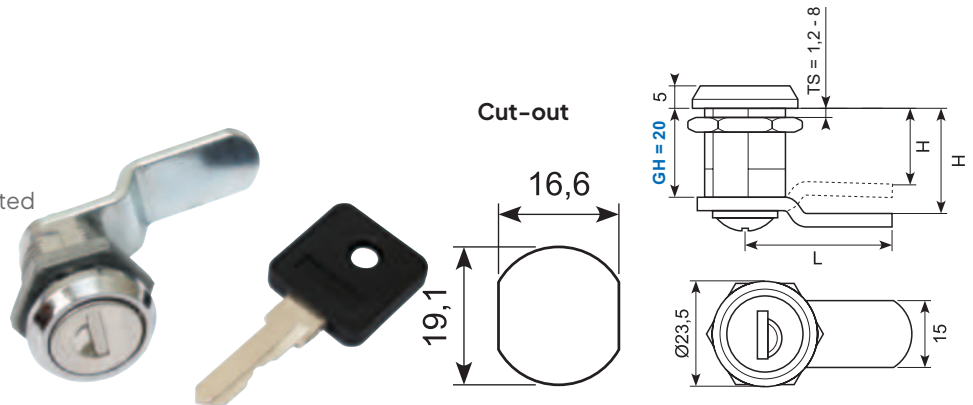
	Forkromet Chrome plated
Nøglekode Key code 2222	56.1890-910-XXX
Med tunge. Nøglekode 2222 With cam. Key code 2222	56.1890-910-704 H = 7,5
Forskellige koder Differend key codes	56.1890-919-XXX *



Kvartomdrejningslås med cylinder *Quarter turn with cylinder*

Hus: Forkromet eller sortmalet
Møtrik: Støbt zink, galvaniseret
Tunge: Stål, galvaniseret
Tunger: 56.1900-5XX
XXX: uden tunge

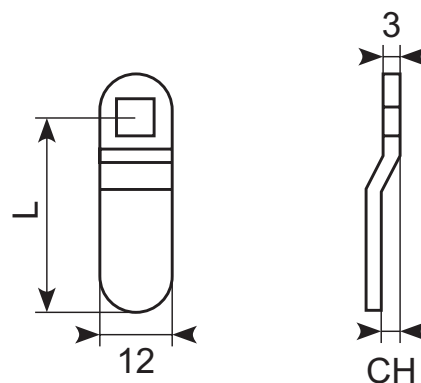
Housing: Chrome plated or black coated
Nut: Zinc die, galvanized
Cam: Steel, galvanized
Cams: 56.1900-5XX
XXX: without cam
GH = 20



	Forkromet Chrome Plated	Sortmalet Black Coated	H
Nøglekode Key code 3333	56.1004-910-XXX *	56.1004-920-XXX *	
Enslukkende Same key code	56.1004-917-XXX *	56.1004-927-XXX *	
Forskellige koder med hovednøgle Different key codes with master system	56.1004-918-XXX *	56.1004-928-XXX *	
Forskellige koder uden hovednøgle Different key codes without master system	56.1004-919-XXX		
Med tunge. Nøglekode 3333 With cam. Key code 3333	56.1004-910-512.7		H = 12,7
	56.1004-910-520		H = 20
	56.1004-910-527		H = 27
Med tunge. Forskellige koder With cam. Different key codes	56.1004-919-527 *		H = 27

Tunger til 56.1004 Cams for 56.1004

Varenr. Item no.	L mm	H mm	Gh=20 H mm
56.1900-512,7	20	12,7	-7,3
56.1900-516,5 *	20	16,5	-3,5
56.1900-520	35	20	0
56.1900-520S	45	50	0
56.1900-520S1	32	20	0
56.1900-523,5	20	23,5	3,5
56.1900-524	39	24	4
56.1900-527	42	27	7



Nylon omdrejningslås med cylinder Nylon quarter turn with cylinder

Hus: Polyamid (PA6: Nylon GFR30), sort trykstøbt zink.

Forkromet eller sortmalet

Møtrik: Plast eller trykstøbt zink, galvaniseret

XXX: uden tunge.

Tunge: plast eller trykstøbt zink, galvaniseret

Tunger: side 51 - 53

Housing: Polyamide (PA6: Nylon GFR30), black zinc die.

Chrome plated or black coated

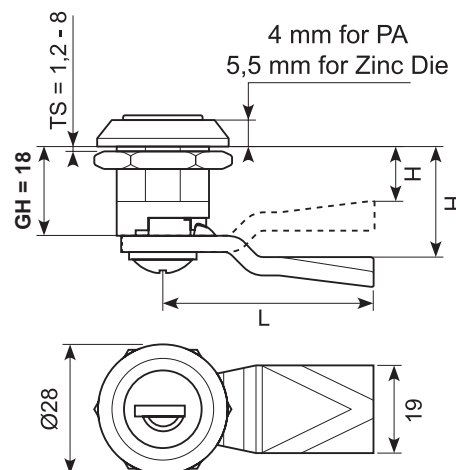
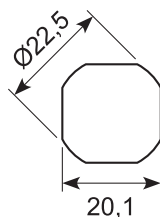
Nut: Plastic or zinc die, galvanized

XXX: without cam.

Cam: plastic or zinc die, zinc plated

Cams: page 51 - 53

Cut-out



GH = 18

	PA (PA6 GFR30)	Forkromet / Støbt zink Chrome plated / Zinc cast	Sortmalet / Støbt zink Black coated / Zinc cast
Nøglekode Key code 3333	56.1001-900-XXX	56.1011-910-XXX	56.1011-920-XXX *
Enslukkende Same key code	56.1001-907-XXX *	56.1011-917-XXX *	56.1011-927-XXX *
Forskellige koder Different key codes	56.1001-909-XXX *	56.1011-919-XXX *	56.1011-929-XXX *
Forskellige koder med hovednøgle Different key codes with master key	56.1001-908-XXX *	56.1011-918-XXX *	56.1011-928-XXX *

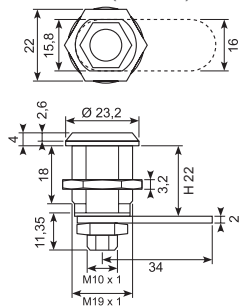
16.403

Kabinetlås med flad tunge. To nøgler og endemøtrik. 200 nøglekombinationer.

Alternativ: 56.1004-919-XXX + 56.1900-520 (H = 20)

Alloy compartment lock. Flat cam. Two keys and end nut. 200 key combinations.

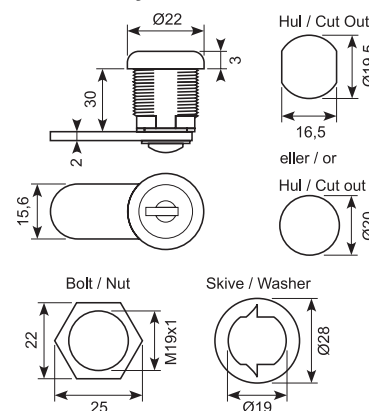
Alternative: 56.1004-919-XXX + 56.1900-520 (H = 20)



16.405X-30

Kabinetlås med flad tunge. 180 låsekombinationer.

Compartment lock with flat cam. 180 key combinations.

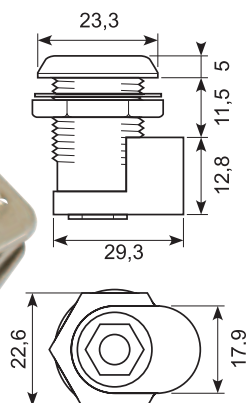


15.537J-5

Låsecylinder inkl. 4 nøgler. 10 ens koder x 250 kombinationer. **Min. ordre: 2.500 stk.**

Lock cylinder with 4 keys. 10 codes alike x 250 combinations.

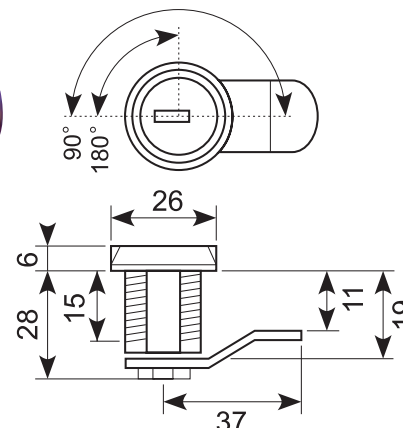
Min. order: 2.500 pcs.



16.362S

Handskerumslås.

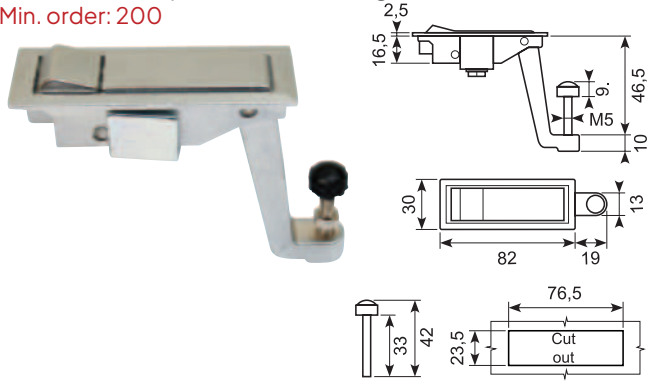
Compartment lock.



16.510

Galvaniseret kabinetlås med galvaniseret u-beslag.**Min. ordre: 200**

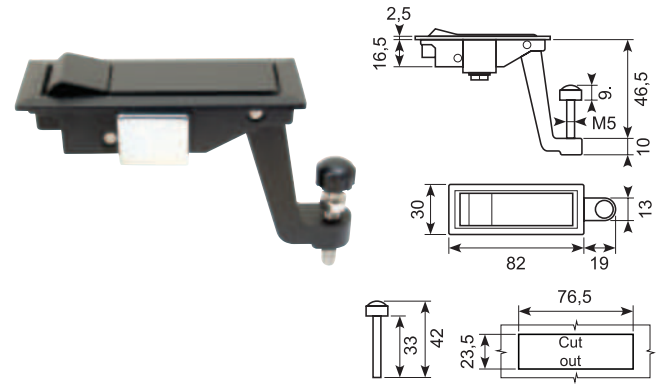
Galvanized compartment lock with galvanized u-bracket.

Min. order: 200

16.510S

Galvaniseret sort kabinetlås. Uden nøgler.

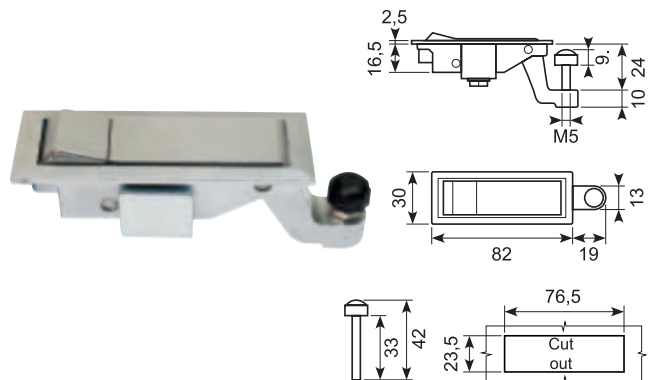
Galvanized black compartment lock. No key.



16.512

Galvaniseret kabinetlås med galvaniseret u-beslag.

Galvanized compartment lock with galvanized u-bracket.

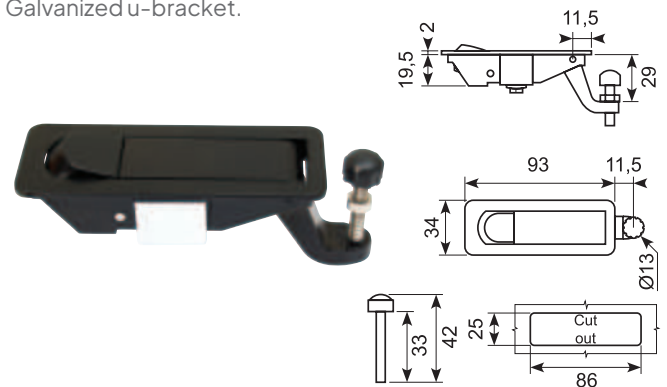


16.516

Sort kabinetlås uden nøgle. Med galvaniseret u-beslag.

Black coated compartment lock without key.

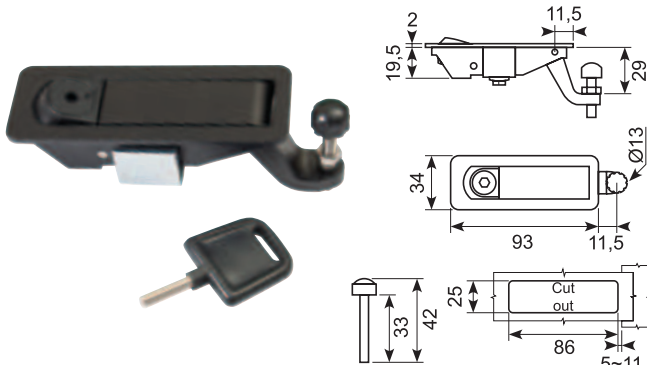
Galvanized u-bracket.



16.514

Sort kabinetlås med 6 kant nøgle. Med galvaniseret u-beslag.

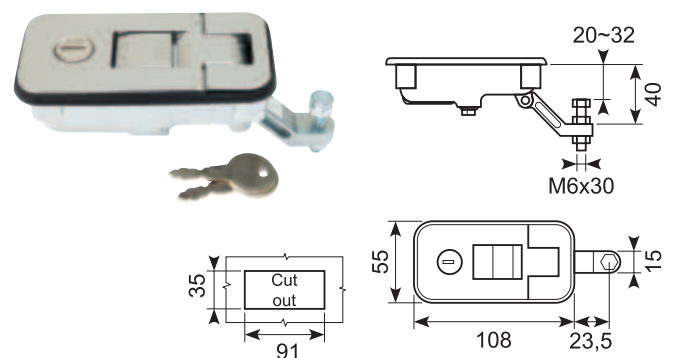
Black coated compartment lock with galvanized u-bracket.



16.521

Kabinetlås. Kromhus med galvaniseret u-beslag.

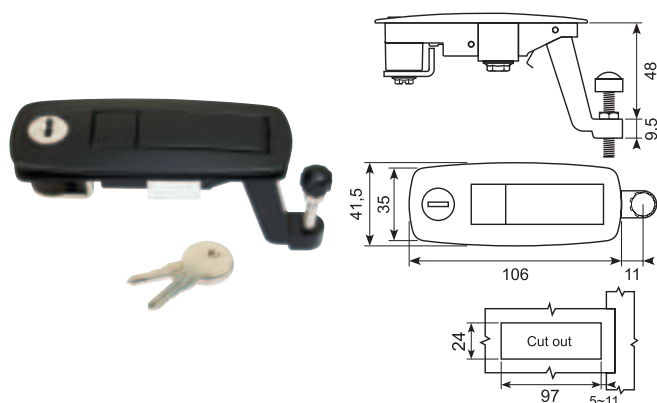
Compartment lock. Chrome housing with galvanized u-bracket.



16.519

Sort kabinetlås med galvaniseret u-beslag.

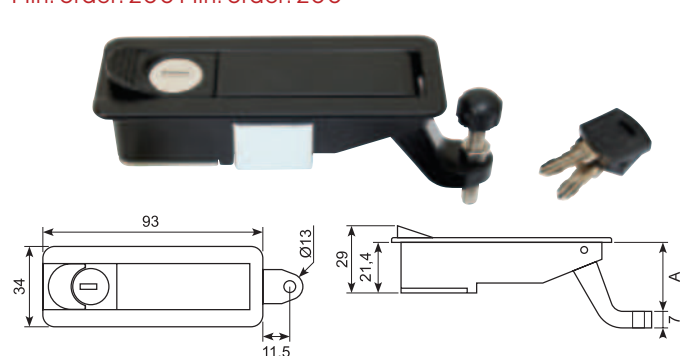
Black coated compartment lock with galvanized u-bracket.



16.514A

Sort kabinetlås med galvaniseret u-beslag.**Min. ordre: 200**

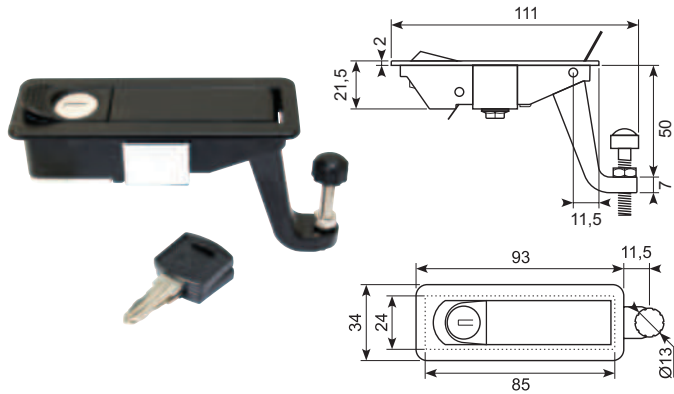
Black coated compartment lock with galvanized u-bracket.

Min. order: 200

16.515A

Sort kabinetlås med galvaniseret u-beslag.

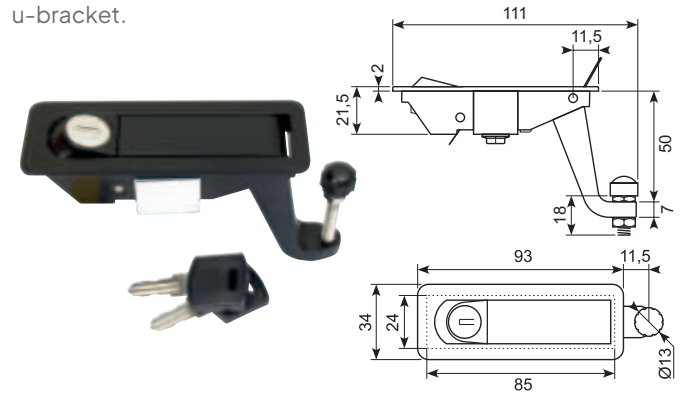
Black coated compartment lock with galvanized u-bracket.



16.515

Sort kabinetlås med galvaniseret u-beslag.

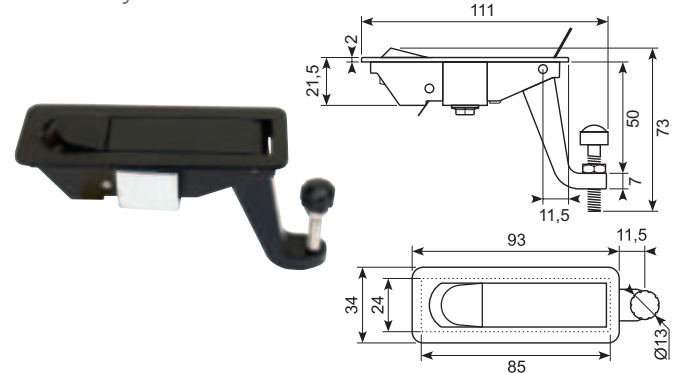
Black coated compartment lock with galvanized u-bracket.



16.517

Sort kabinetlås med galvaniseret u-beslag. Uden nøgle.

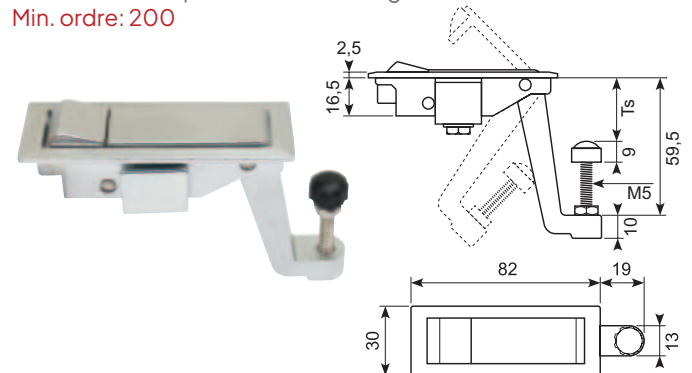
Black coated compartment lock with galvanized u-bracket. Without keys.



16.511

Galvaniseret kabinetlås med galvaniseret u-beslag.**Min. ordre: 200**

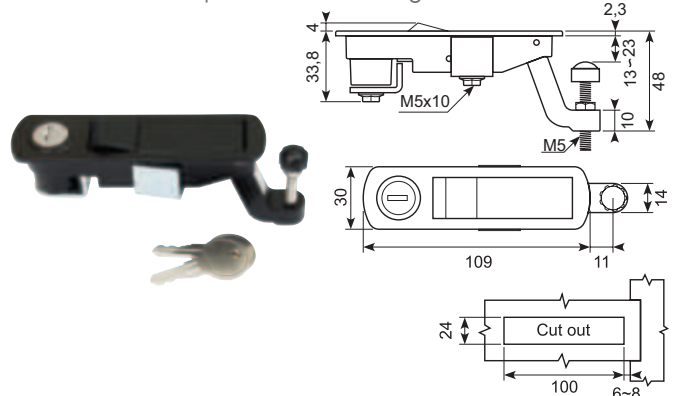
Galvanized compartment lock with galvanized u-bracket.

Min. ordre: 200

16.513

Sort kabinetlås med galvaniseret u-beslag.

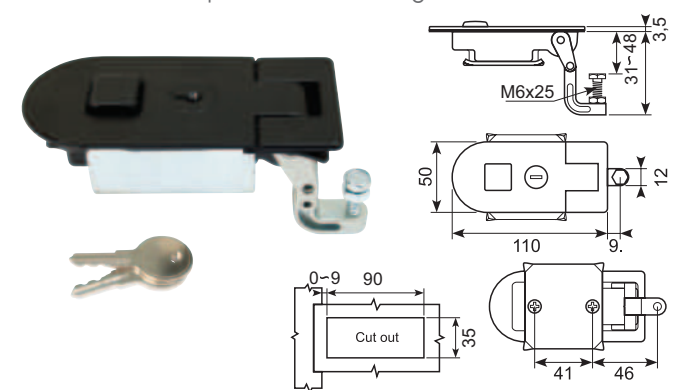
Black coated compartment lock with galvanized u-bracket.



16.520

Sort kabinetlås med galvaniseret u-beslag.

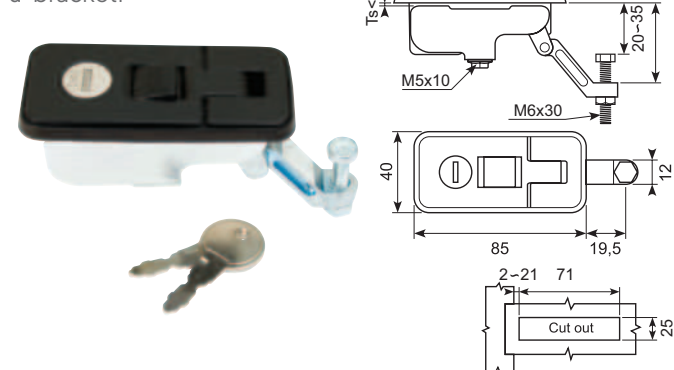
Black coated compartment lock with galvanized u-bracket.



16.518

Kabinetlås med sort hus og galvaniseret u-beslag.

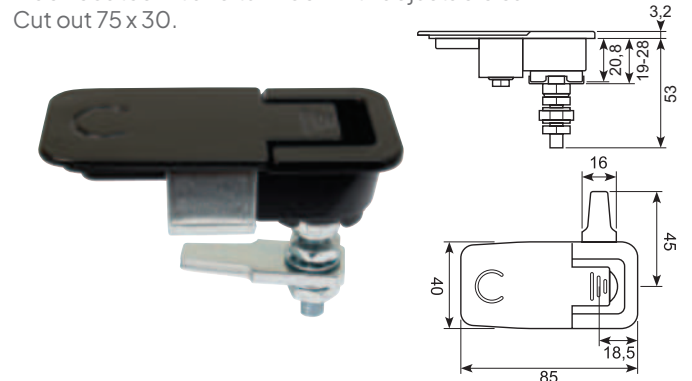
Compartment lock with black house and galvanized u-bracket.



16.501

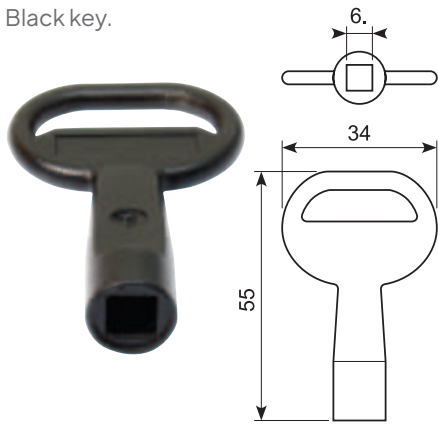
Sort pulverlakeret løft og drej lås med justerbar tunge.**Cut out 73 x 30.**

Black coated lift and turn lock with adjustable cam.

Cut out 75 x 30.

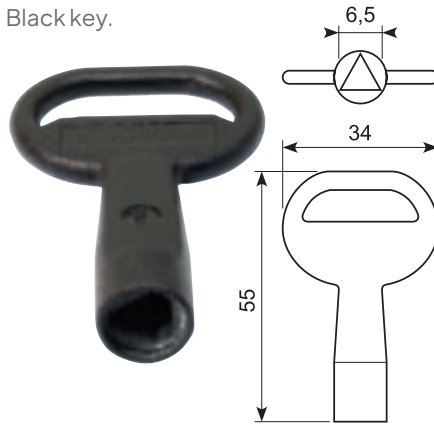
56.1000-518

Sort nøgle.
Black key.



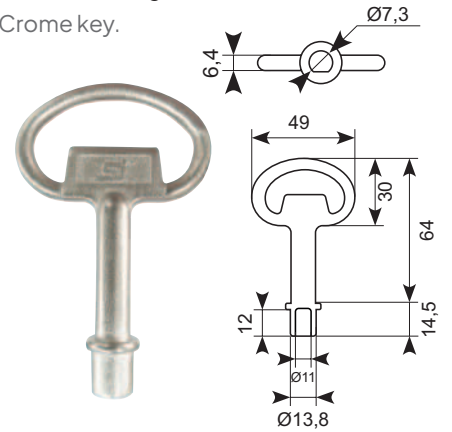
56.1000-517

Sort nøgle.
Black key.



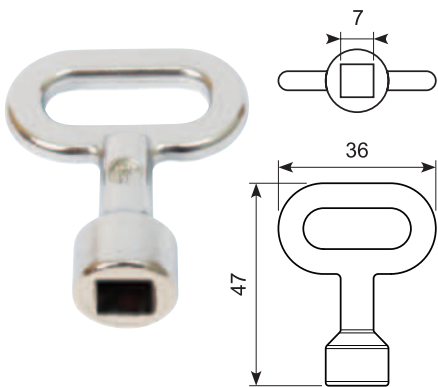
50.15349K

Forkrommet nøgle.
Chrome key.



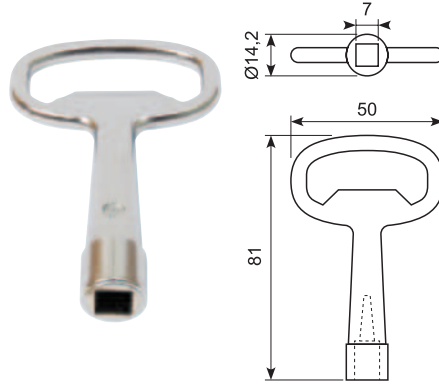
56.1000-820

Krom nøgle. 7 mm firkant.
Chrome key. 7 mm square.



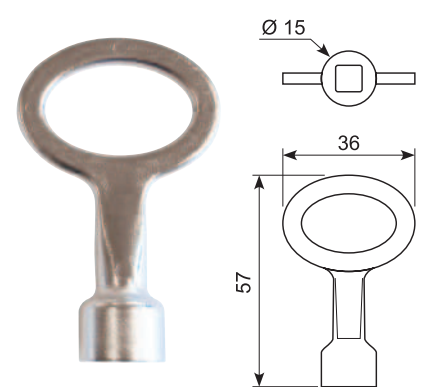
56.1000-620

Krom nøgle. 7 mm firkant.
Chrome key. 7 mm square.



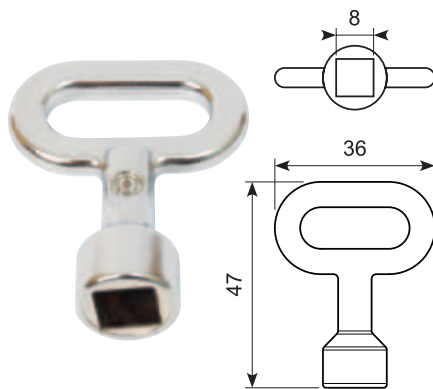
16.410-1XS

Forkrommet nøgle. 7 mm firkant.
Key, chrome. 7 mm square.



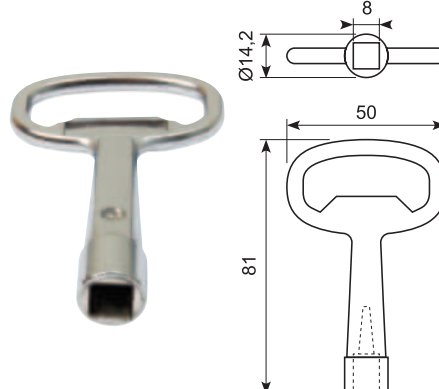
56.1000-814

Krom nøgle. 8 mm firkant.
Chrome key. 8 mm square.



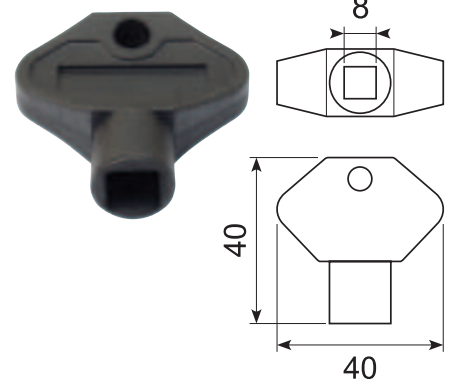
56.1000-614

Krom nøgle. 8 mm firkant.
Chrome key. 8 mm square.



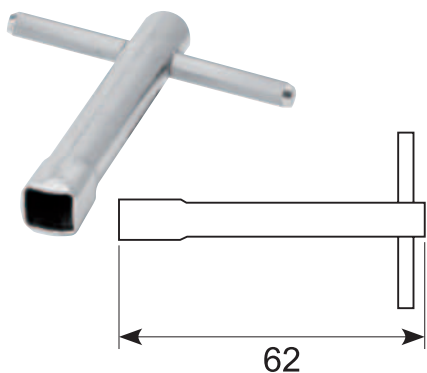
56.1000-504

Nylon nøgle. PA.
Nylon key. PA.



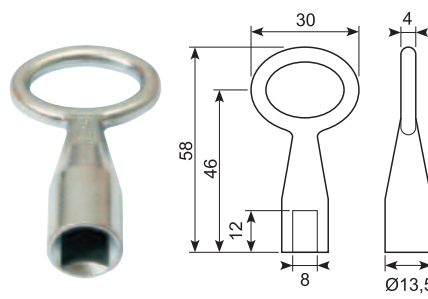
16.382N

Stålnøgle til firkantlås. 8 mm firkant.
Steel key for square-drive lock.
8 mm square.



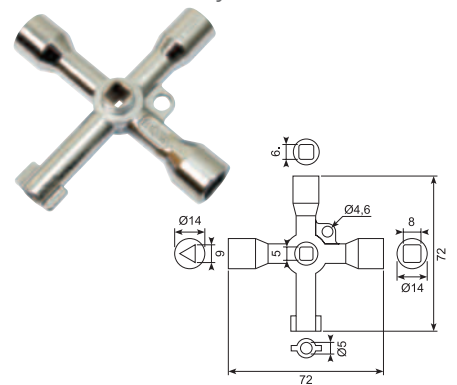
18.0956170

Skabsnøgle. 8 mm firkant. *
DSB-model. Uvendig diameter:
13,5 mm. Min. ordre: 20
Locker key. 8 mm square.
Exterior diameter: 13,5 mm.
Min. ordre: 20



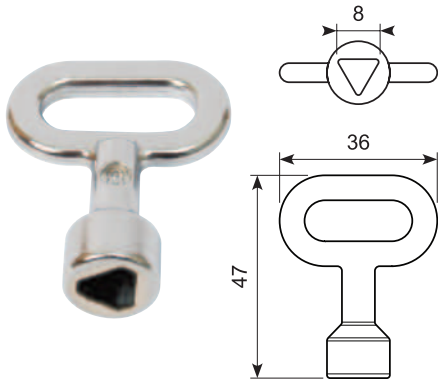
18.095646X

Galvaniseret multi-stjernesnøgle.
T9-6FK-8FK-D5.
Galvanized multi key. T9-6FK-8FK-D5.



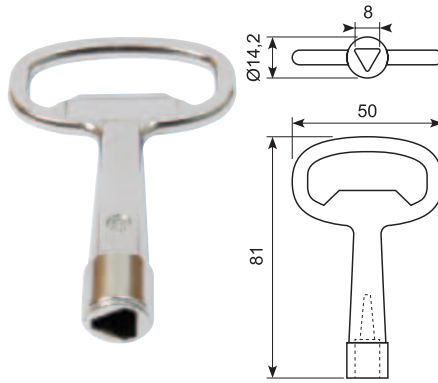
56.1000-813

Krom nøgle. 8 mm trekant.
 Chrome key. 8 mm triangle.



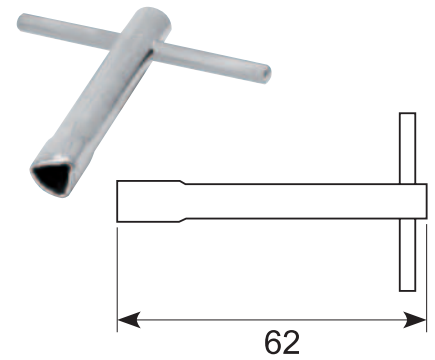
56.1000-613

Krom nøgle. 8 mm trekant.
 Chrome key. 8 mm triangle.



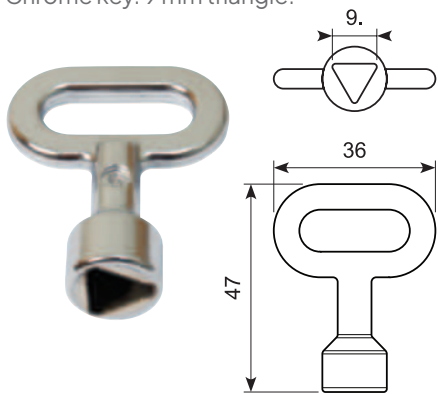
16.381N

Stålnøgle til trekantlås. 8 mm trekant.
For 16.381.
 Steel key for tri-lock. 8 mm triangle.
For 16.381.



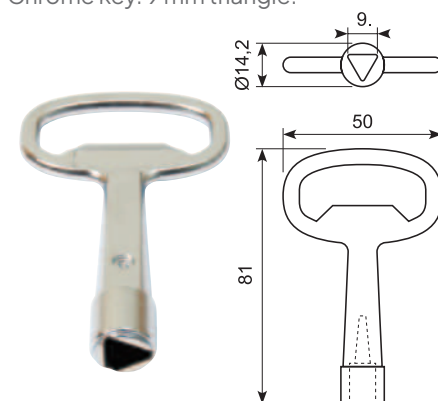
56.1000-821

Krom nøgle. 9 mm trekant.
 Chrome key. 9 mm triangle.



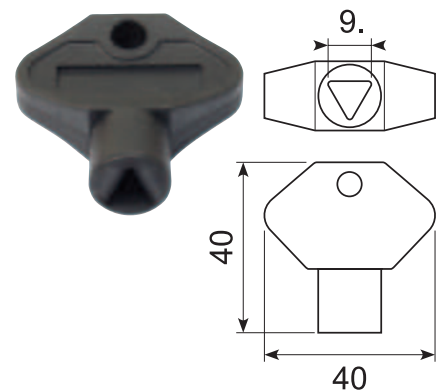
56.1000-621

Krom nøgle. 9 mm trekant.
 Chrome key. 9 mm triangle.



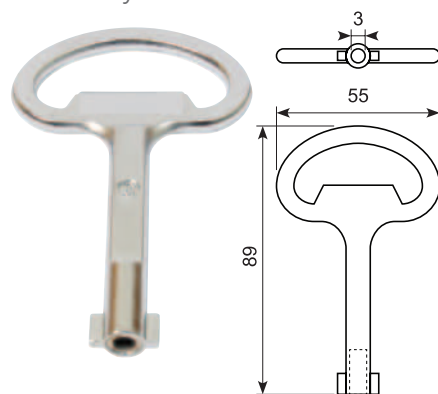
56.1000-521P

Nylon nøgle. 9 mm trekant.
 Nylon key. 9 mm triangle.



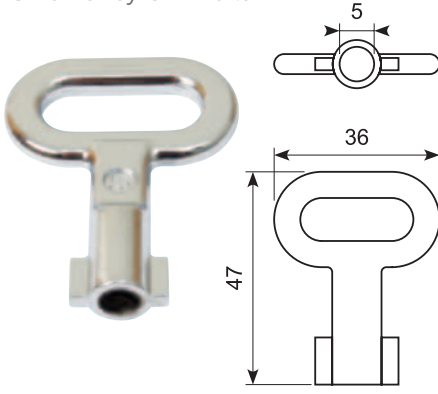
56.1000-612

Krom nøgle. 3 mm bits.
 Chrome key. 3 mm bits.



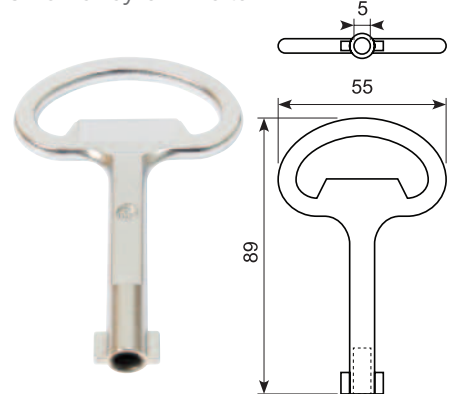
56.1000-812

Krom nøgle. 5 mm bits.
 Chrome key. 5 mm bits.



56.1000-611

Krom nøgle. 5 mm bits.
 Chrome key. 5 mm bits.



56.1000-502

Sort nøgle. Nylon PA6. 5 mm bits.
 Black key. Nylon PA6. 5 mm bit.

