



Air operated valve for process gas

AGD0₂R Series

- Metal diaphragm
- Compact

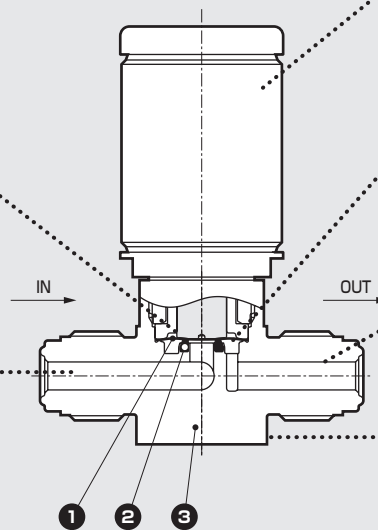


Model No. Actuation Cv
AGD01R NC Cv=0.1

Model No. Actuation Cv
AGD02R NO Cv=0.1

Basic performance is maintained
Space saving performance is pursued.

- Zero particle generation is achieved with optimal seal structure and improved surface roughness
- Electrolytic polishing specification



- Slim actuator with an outer diameter of $\varnothing 26$
- High corrosion resistance and long service life (4 million times track record²Ni-Co alloy diaphragm of)
- Connection with JXR fitting^{*1}as standard
- □21 mm compact body

Gas contacting parts material

Part No.	Part name	Material
1	Diaphragm	Ni-Co alloy
2	Valve seat	PCTFE
3	Body	SUS316L

*1: JXR fitting can be connected to VCR fitting.
*2: Service life when the working fluid is inert gas within the specified range and does not contain solids such as reaction products.

Specifications

Item	AGD01R	AGD02R
Working fluid	Inert gas/process gas	
Working pressure Pa(abs)-MPa(G)	1.3 x 10 ⁻⁶ to 0.99	
Fluid temperature °C	5 to 80	
Operating ambient temperature °C	5 to 80	
Storage ambient temperature °C	-10 to 80	
Valve seat leakage Pa·m ³ /s(He)	1.0 x 10 ⁻¹⁰ or less	
External leakage Pa·m ³ /s(He)	2.8 x 10 ⁻¹² or less	
Cv (23°C, under pressurization)	0.1	
Connection	1/4" JXR male fitting 1/4" JXR female fitting	
Actuation	NC (Normally Closed)	NO (Normally Open)
Operating pressure MPa	0.4 to 0.6	0.4 to 0.5
Operating port	M5	
Weight kg	0.15 *1	

Safety precautions

Read the Safety Precautions on Intro Page 9 and pages 84 to 85 to ensure correct and safe use of the product.

*1: Values with AGD01R-4RM (1/4"JXR male fitting).

Components for process gases
 High durability
 Other valves for process gas
 Regulator
 Integrated gas supply system
 Safety precautions
 Air operated valve
 Manual valve
 High vacuum components
 Vacuum pressure control valves
 Safety precautions
 Related products

How to order

AGD0 **1** R - **4R**

A Actuation

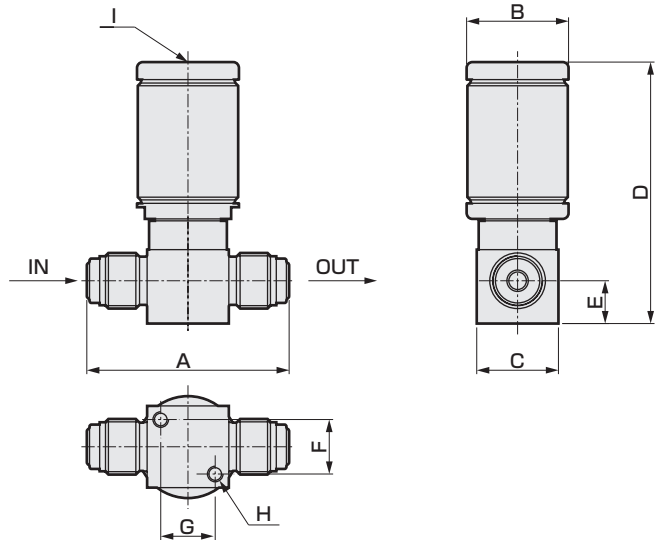
B Connection

Code	Description
A Actuation	
1	NC (Normally Closed)
2	NO (Normally Open)
B Connection	
4RM	1/4" JXR male fitting
4R	1/4" JXR female fitting

Dimensions

AGD0*R-4RM

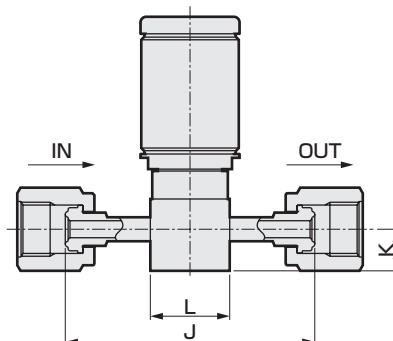
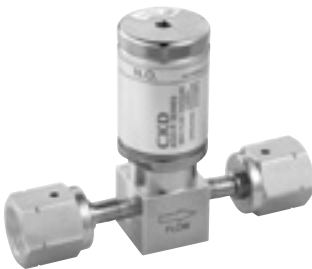
● JXR male fitting



Model No.	Code	Actuation	A	B	C	D	E	F	G	H	I
AGD01R-4RM		NC	52	ø26	□ 21	67	11	14	14	2-M4 depth 5	M5
AGD02R-4RM		NO	52	ø26	□ 21	67	11	14	14	2-M4 depth 5	M5

AGD0*R-4R

● JXR female fitting



Model No.	Code	Actuation	J	K	L
AGD01R-4R		NC	66	11	□ 21
AGD02R-4R		NO	66	11	□ 21

LGD Series
 AGD/OGD/MGD-R Series
 High durability
 Other valves for process gas
 Regulator
 Integrated gas supply system
 Safety precautions
 Air operated valve
 Manual valve
 Vacuum pressure control valves
 Safety precautions
 Related products
 Components for process gases



Air operated valve for process gas

AGD1¹/₂R Series

AGD2¹/₂R Series

- Metal diaphragm
- Standard



Model No. Actuation Cv

AGD11R NC Cv=0.3

AGD12R NO Cv=0.3

Model No. Actuation Cv

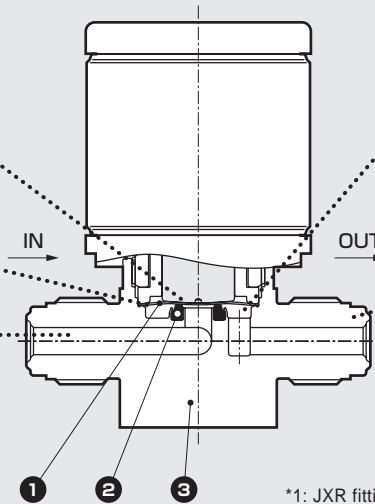
AGD21R NC Cv=0.65

AGD22R NO Cv=0.65

Created in pursuit of contamination control

Diaphragm valve R Series standard.

- Zero particle generation is achieved with optimal seal structure and improved surface roughness
- Reduced valving element dead space to the limit
- Electrolytic polishing specification



- Ni-Co alloy diaphragm with high corrosion resistance and long service life (4 million times track record ^{*2})
- JXR fitting ^{*1} and double barbed fitting are used as standard for connection

Gas contacting parts material

Part No.	Part name	Material
①	Diaphragm	Ni-Co alloy
②	Valve seat	PCTFE
③	Body	SUS316L

*1: JXR fitting can be connected to VCR fitting.

*2: Service life when the working fluid is inert gas within the specified range and does not contain solids such as reaction products.

Specifications

Item	AGD1*R	AGD2*R
Working fluid	Inert gas/process gas	
Working pressure Pa(abs)-MPa(G)	1.3 x 10 ⁻⁶ to 0.99	
Fluid temperature °C	5 to 80	
Operating ambient temperature °C	5 to 80	
Storage ambient temperature °C	-10 to 80	
Valve seat leakage Pa·m ³ /s(He)	1.0 x 10 ⁻¹⁰ or less	
External leakage Pa·m ³ /s(He)	2.8 x 10 ⁻¹² or less	
Cv (23°C, under pressurization)	0.3	0.65
Connection	1/4" JXR male fitting 1/4" JXR female fitting 1/4" double barbed fitting	3/8" JXR male fitting 3/8" JXR female fitting 3/8" double barbed fitting
Actuation	NC (Normally Closed) NO (Normally Open)	
Operating pressure MPa	NC:0.4 to 0.6 NO:0.4 to 0.5	
Operating port	M5	
Weight kg	0.26 *1	0.59 *1

*1: Values with AGD11R-4RM (1/4"JXR male fitting) and AGD21R-6RM (3/8"JXR male fitting).

Safety precautions

Read the Safety Precautions on Intro Page 9 and pages 84 to 85 to ensure correct and safe use of the product.

Components for process gases
 Other valves for process gas
 High durability
 Regulator
 Integrated gas supply system
 Safety precautions
 Air operated valve
 Manual valve
 High vacuum components
 Vacuum pressure control valves
 Safety precautions
 Related products

LGD Series

AGD/OGD/ MGD-R Series

High durability

Other valves for process gas

Regulator

Integrated gas supply system

Safety precautions

Air operated valve

Manual valve

High vacuum components
Vacuum pressure control valves

Safety precautions

Related products

AGD1¹/₂R/AGD2¹/₂R Series

How to order / Dimensions

How to order

AGD1 **1** R - **4RM**
 Model No.

A Actuation

B Connection

Code	Description
A Actuation	
1	NC (Normally Closed)
2	NO (Normally Open)
B Connection	
4RM	1/4" JXR male fitting
4R	1/4" JXR female fitting
4S	1/4" double barbed fitting

AGD2 **1** R - **6R**
 Model No.

A Actuation

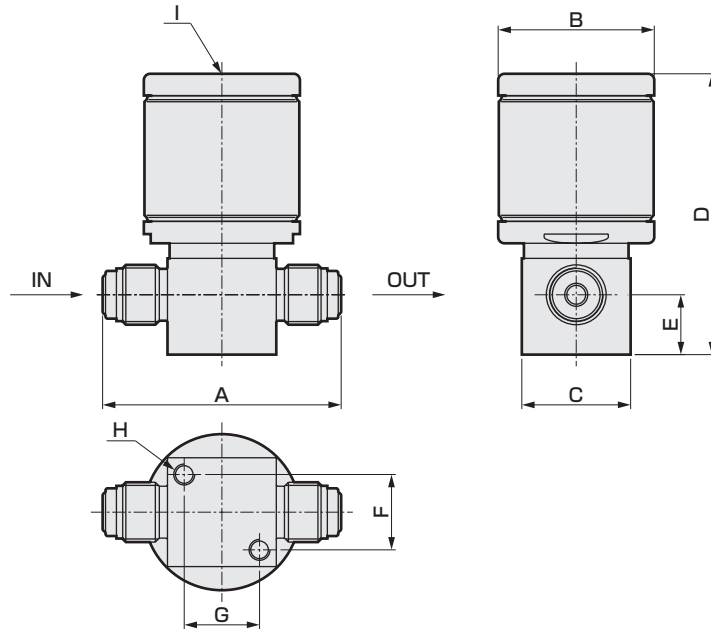
B Connection

Code	Description
A Actuation	
1	NC (Normally Closed)
2	NO (Normally Open)
B Connection	
6RM	3/8" JXR male fitting
6R	3/8" JXR female fitting
6S	3/8" double barbed fitting

Dimensions

AGD1*R-4RM AGD2*R-6RM

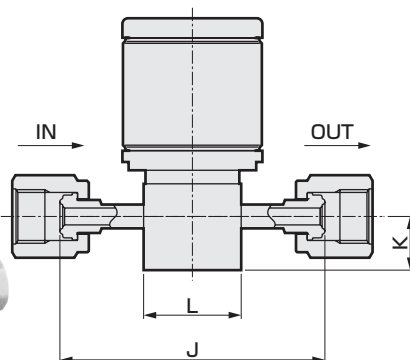
● JXR male fitting



Model No.	Code	Actuation	A	B	C	D	E	F	G	H	I
AGD11R-4RM		NC	57	ø37	□ 26	67	14.3	18	18	2-M5 depth 6	M5
AGD12R-4RM		NO									
AGD21R-6RM		NC	76	ø48	□ 34	88	16	20.2	20.2	2-M5 depth 8	M5
AGD22R-6RM		NO									

AGD1*R-4R AGD2*R-6R

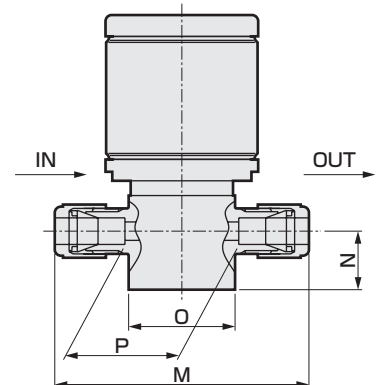
● JXR female fitting



Model No.	Code	Actuation	J	K	L
AGD11R-4R		NC	70.6	14.3	□ 26
AGD12R-4R		NO			
AGD21R-6R		NC	83	16	□ 34
AGD22R-6R		NO			

AGD1*R-4S AGD2*R-6S

● Double barbed fitting



Model No.	Code	Actuation	M	N	O	P
AGD11R-4S		NC	62	14.3	□ 26	27.8
AGD12R-4S		NO				
AGD21R-6S		NC	80	16	□ 34	44.3
AGD22R-6S		NO				

LGD Series
 AGD/OGD/MGD-R Series
 High durability
 Other valves for process gas
 Regulator
 Integrated gas supply system
 Safety precautions
 Air operated valve
 Manual valve
 High vacuum components
 Vacuum pressure control valves
 Safety precautions
 Related products

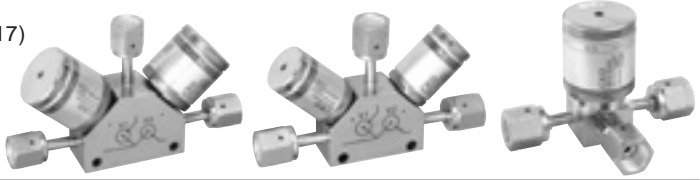
Air operated valve for process gas

Variation-compatible products

AGD**R Series

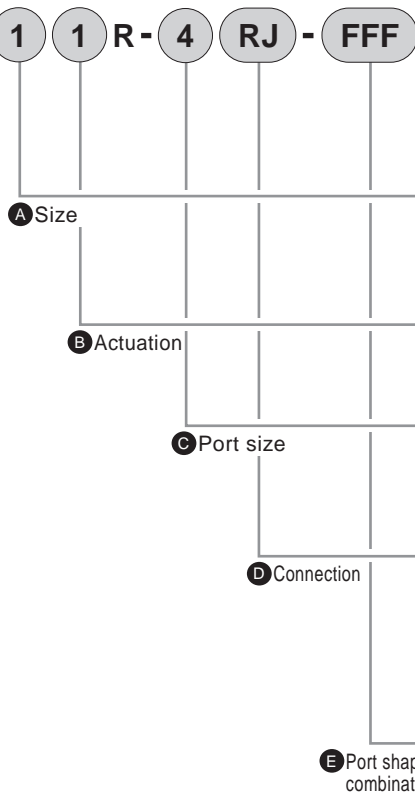


Made-to-order product

Model	Variation contents
<p>AGD0*R AGD1*R AGD2*R</p>	<p>Body options (pages 14 to 17)</p> <ul style="list-style-type: none"> ● Flow path direction ● NC/NO combination ● Connection ● Port shape combinations 

How to order **2-way valve, 3-way flow valve**

AGD **1** **1** R- **4** **RJ** - **FFF**



Model No.

Code	Description	AGD0	AGD1	AGD2
A Size				
0	1/8"	●		
1	1/4"		●	
2	3/8"			●
B Actuation				
1	NC	●	●	●
2	NO	●	●	●
C Port size				
4	1/4"	●	●	
6	3/8"			●
8	1/2"			●
D Connection				
RJ	JXR female fitting(With bearing)	●	●	●
R	JXR female fitting	●	●	●
RM	JXR male fitting	●	●	●
W	Auto welded fitting	●	●	●
S	Double barbed fitting	●	●	●
E Port shape combinations				
2-way valve				
Blank	IN/OUT common fitting	●	●	●
MF	IN: Male OUT: Female	●	●	●
FM	IN: Female OUT: Male	●	●	●
3-way flow valve				
FFF	abc female/female/female	●	●	●
FFM	abc female/female/male	●	●	●
FMM	abc female/male/male	●	●	●
MMM	abc male/male/male	●	●	●
WWW	abc auto welded fitting	●	●	●
□□□	abc □/□/□*1	●	●	●

D Connection					
Code	RJ	R	RM	W	S
2-way valve					
Blank	●	●	●	●	●
MF	●	●			
FM	●	●			
3-way flow valve					
FFF	●	●			
FFM	●	●			
FMM	●	●			
MMM			●		
WWW				●	
□□□	●	●		●	

*1 F: Female, M: Male, W: Auto welded fitting Free combination

Components for process gases
 Other valves for process gas
 Regulator
 Integrated gas supply system
 Safety precautions
 Air operated valve
 Manual valve
 High vacuum components
 Vacuum pressure control valves
 Safety precautions
 Related products

How to order 2-station 3-way valve

AGD **1** 1R- **Y** **11** - **4** **RJ** - **FFF**

A Size

B Flow path direction

C NC/NO combination

D Port size

E Connection

F Port shape combinations

Model No.

Code	Description	AGD0	AGD1	AGD2
A Size				
0	1/8"	●		
1	1/4"		●	
2	3/8"			●
B Flow path direction				
Y	Selector	●	●	●
T	Divider	●	●	●
C NC/NO combination				
11	V1:NC V2:NC	●	●	●
12	V1:NC V2:NO	●	●	●
21	V1:NO V2:NC	●	●	●
22	V1:NO V2:NO	●	●	●
D Port size				
4	1/4"	●	●	
6	3/8"			●
E Connection				
RJ	JXR female fitting(With bearing)	●	●	●
R	JXR female fitting	●	●	●
RM	JXR male fitting	●	●	●
F Port shape combinations				
FFF	abc female/female/female	●	●	●
MMM	abc male/male/male	●	●	●
□□□	abc □ / □ / □ *2	●	●	●

Code	RJ	R	RM
FFF	●	●	
MMM			●
□□□	●	●	

*2 F: Female, M: Male Free combination

LGD Series	AGD/OGD/MGD-R Series	High durability	Other valves for process gas	Regulator	Integrated gas supply system	Safety precautions	Air operated valve	Manual valve	Vacuum pressure control valves	Safety precautions	Related products
Components for process gases											
High vacuum components											

AGD0*R 2-way valve

Made-to-order product

Dimensions

AGD0*R-4RJ (1/4" JXR female fitting (with bearing))

AGD0*R-4S (1/4" double barbed fitting)

AGD0*R-4W (1/4" auto welded fitting)

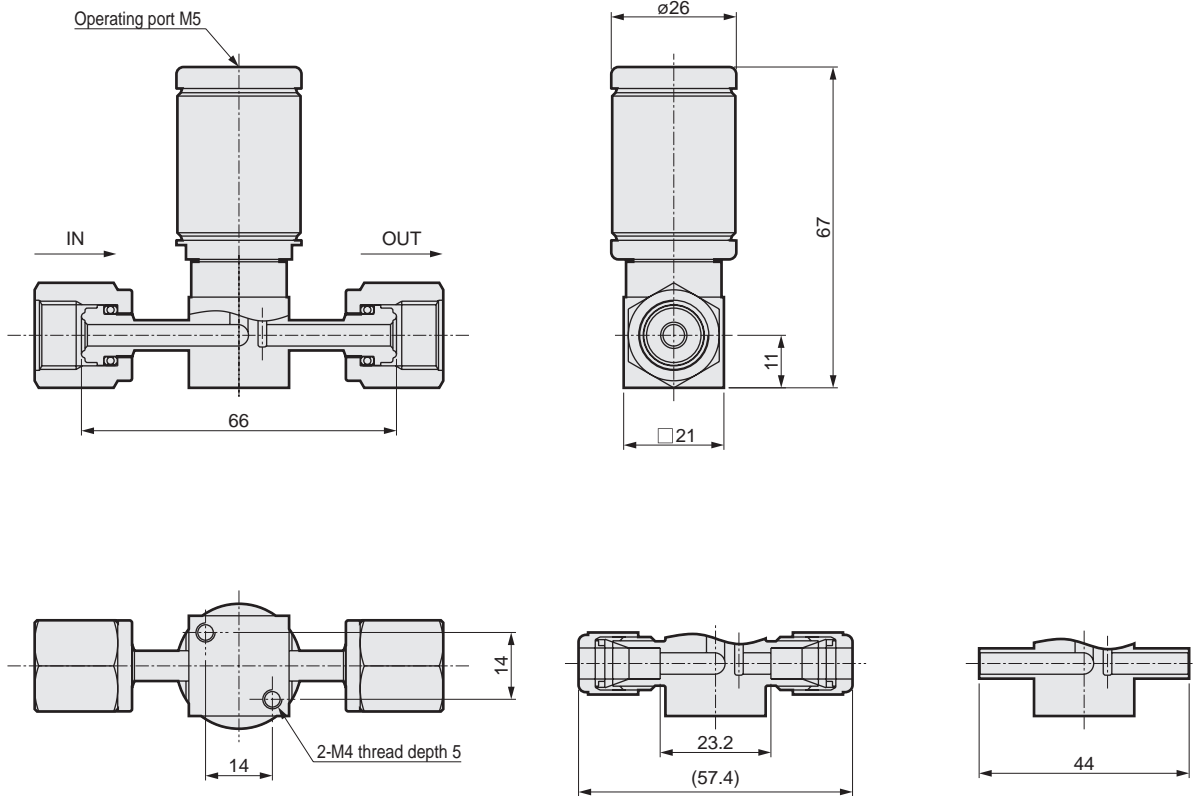


Figure shows AGD01R-4RJ
Female fitting (with bearing)

Double barbed fitting: 4S

Welded fitting: 4W

AGD0*R-4RJ-FM (1/4" JXR female (with bearing)-male mix)

AGD0*R-4R-FM (1/4" JXR female-male mix)

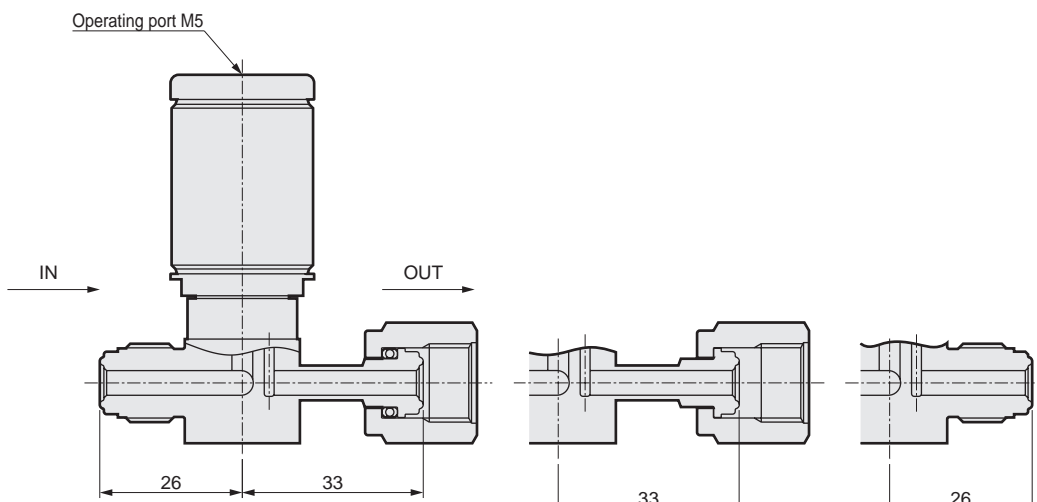


Figure shows AGD01R-4RJ-FM
Female fitting (with bearing)

Female fitting: 4R

Male fitting: 4RM

AGD0*R 3-way flow divider valve

Made-to-order product

Dimensions

AGD0*R-4RJ- (1/4" JXR female fitting (with bearing) mix)

AGD0*R-4R- (1/4" JXR female fitting mix)

AGD0*R-4RM-MMM (1/4" JXR male fitting)

AGD0*R-4W- (1/4" auto welded fitting mix)

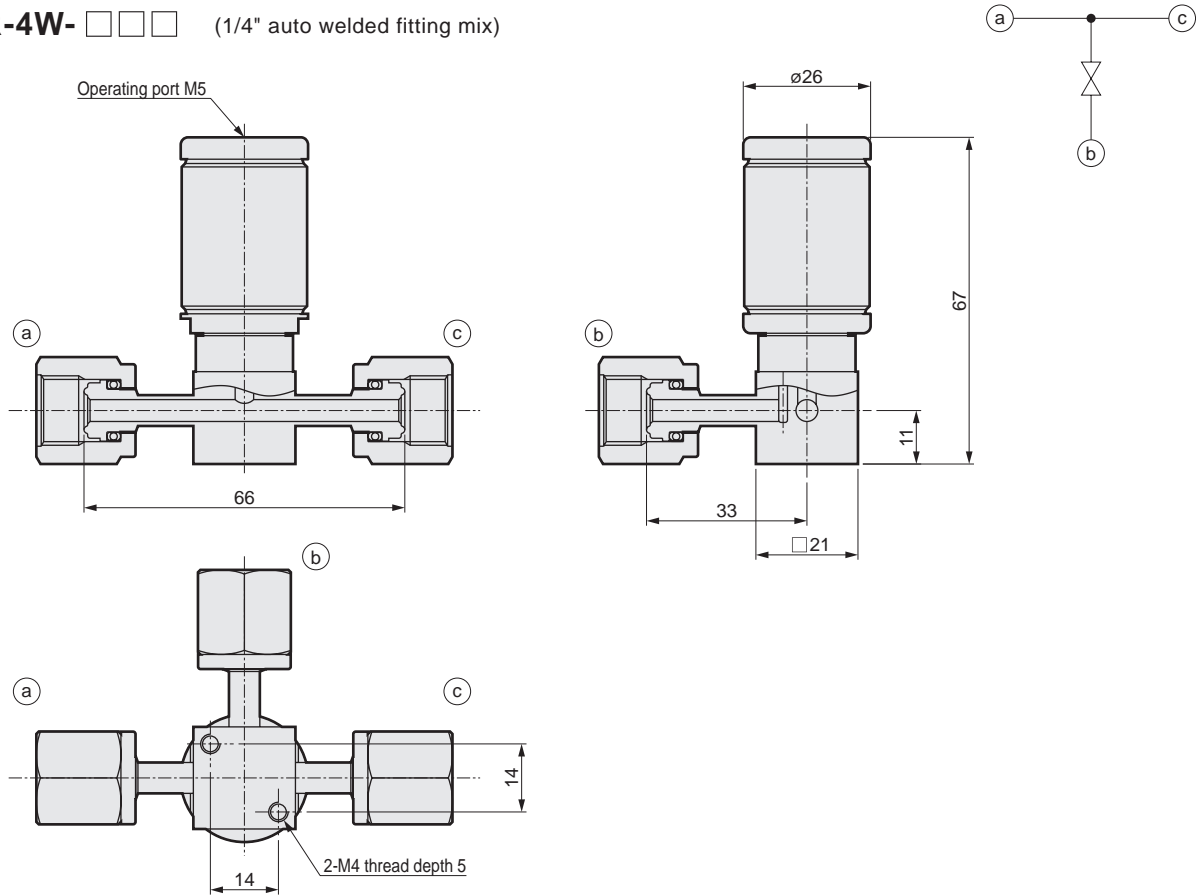
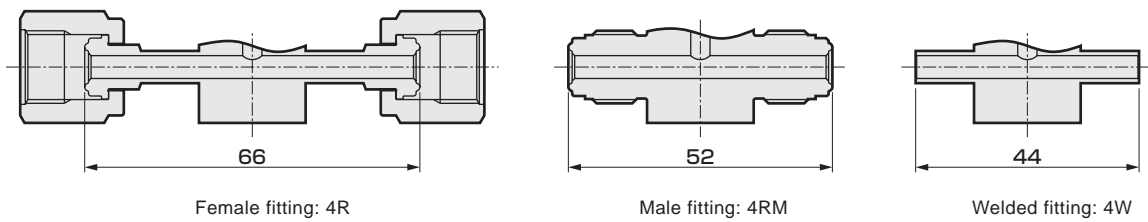


Figure shows AGD01R-4RJ-FFF
Female fitting (with bearing)

[Main port]

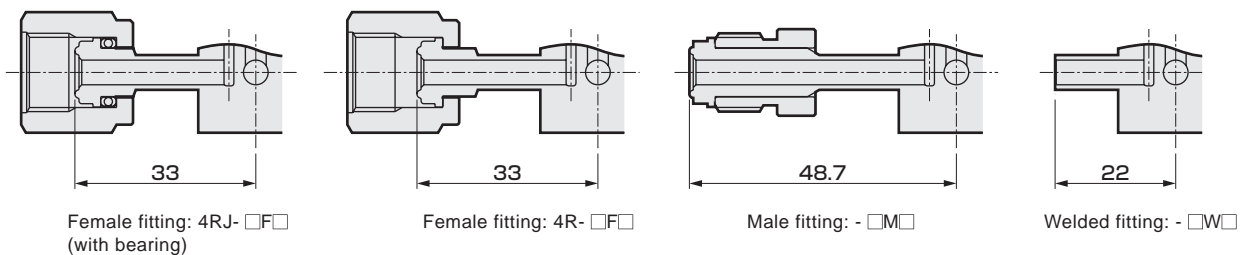


Female fitting: 4R

Male fitting: 4RM

Welded fitting: 4W

[Branching ports]



Female fitting: 4RJ-
(with bearing)

Female fitting: 4R-

Male fitting: -

Welded fitting: -

LGD Series	AGD/OGD/ MGD-R Series	High durability for process gas	Regulator	Integrated gas supply system	Safety precautions	Air operated valve	Manual valve	Vacuum pressure control valves	Safety precautions	Related products
------------	--------------------------	------------------------------------	-----------	---------------------------------	--------------------	--------------------	--------------	-----------------------------------	--------------------	------------------

Components for process gases

High vacuum components

AGD0*R Series

AGD0*R 2-station 3-way valve

Made-to-order product

Dimensions

AGD01R-□****-4RJ**-□□□ (1/4" JXR female fitting (with bearing) mix)

AGD01R-□****-4R**-□□□ (1/4" JXR female fitting mix)

AGD01R-□****-4RM**-MMM (1/4" JXR male fitting)

[Y: Selector]

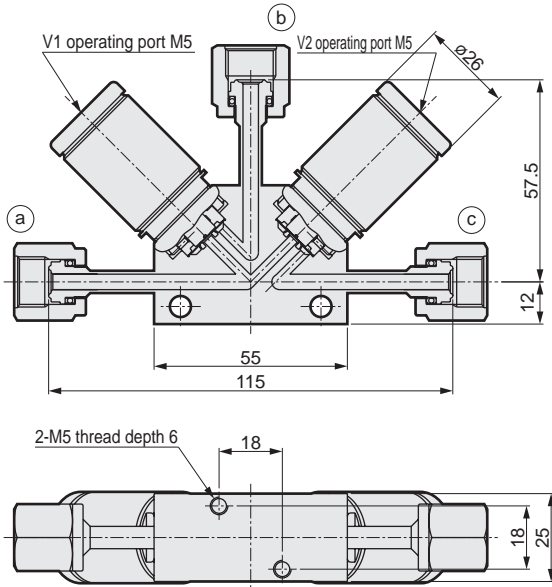
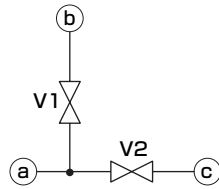


Figure shows AGD01R-Y11-4RJ-FFF
Female fitting (with bearing)



[T: Divider]

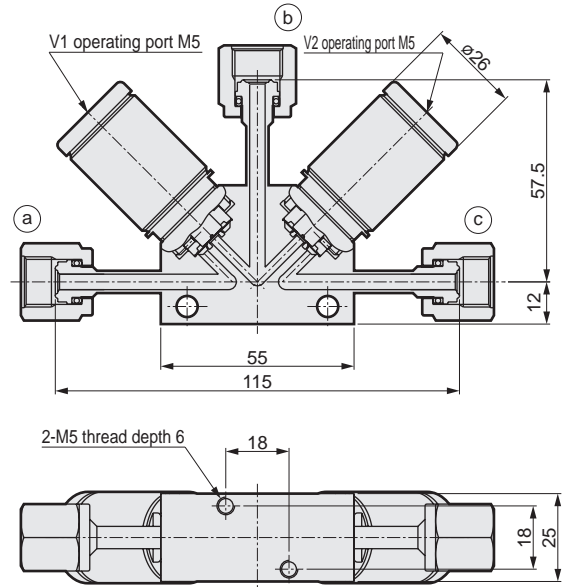
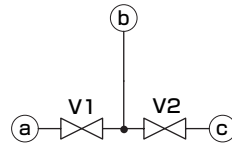
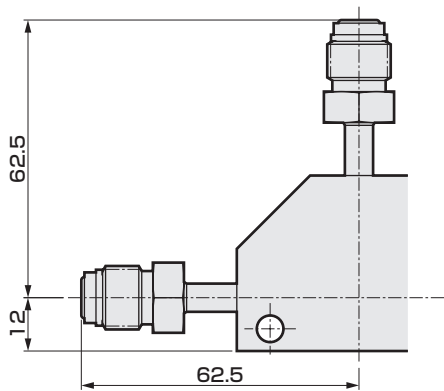


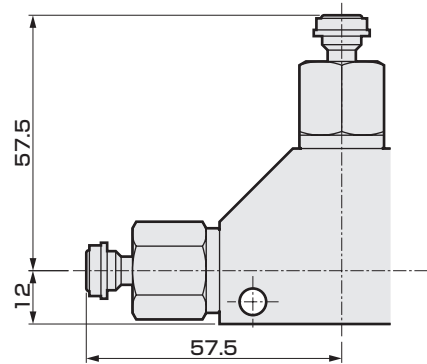
Figure shows AGD01R-T11-4RJ-FFF
Female fitting (with bearing)



[Other fitting dimensions]



Male fitting: 4RM



Female fitting: 4R

AGD1*R 2-way valve

Made-to-order product

Dimensions

AGD1*R-4RJ (1/4" JXR female fitting (with bearing))

AGD1*R-4W (1/4" auto welded fitting)

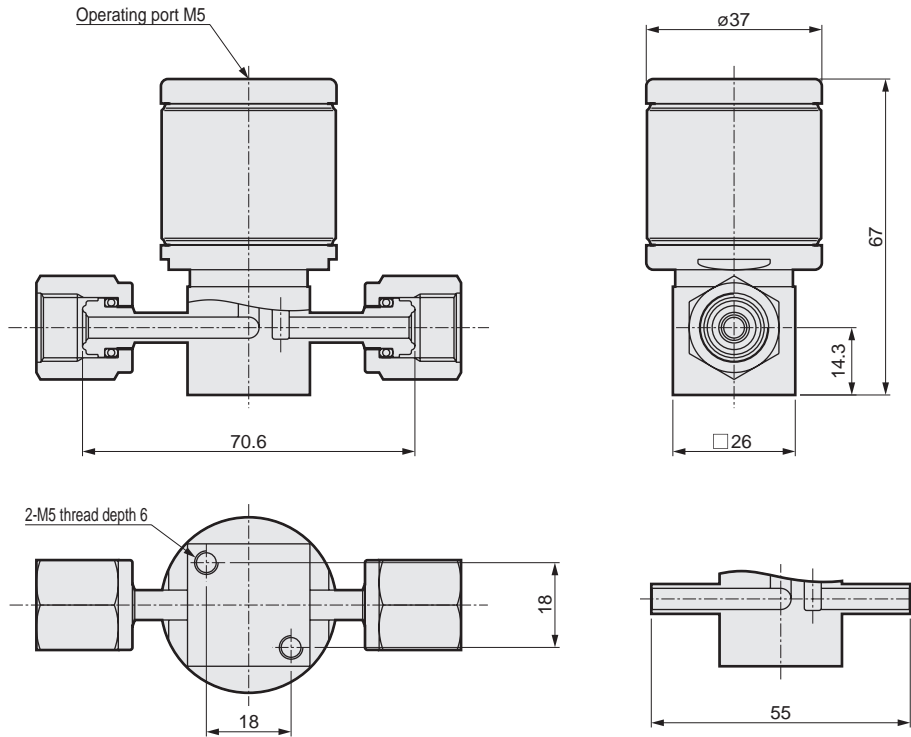


Figure shows AGD11R-4RJ
Female fitting (with bearing)

Welded fitting: 4W

AGD1*R-4RJ-FM (1/4" JXR female fitting (with bearing) male mix)

AGD1*R-4R-MF (1/4" JXR female-male mix)

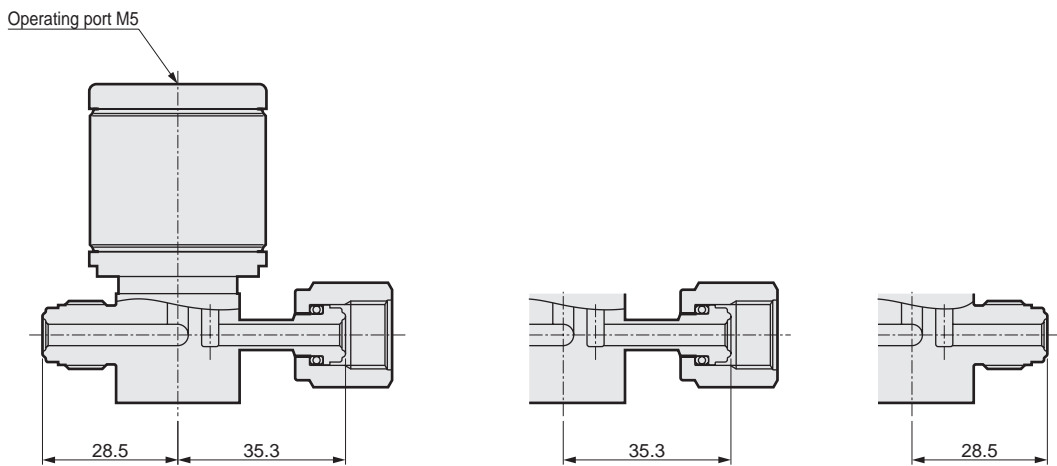


Figure shows AGD11R-4RJ-MF
Female fitting (with bearing)

Female fitting: 4R

Male fitting: 4RM

LGD Series	AGD/OGD/ MGD-R Series	High durability	Other valves for process gas	Regulator	Integrated gas supply system	Safety precautions	Air operated valve	Manual valve	Vacuum pressure control valves	Safety precautions	Related products
Components for process gases											
High vacuum components											

AGD1*R 3-way flow valve

Made-to-order product

Dimensions

AGD1*R-4RJ- □□□ (1/4" JXR female fitting (with bearing) mix)

AGD1*R-4R- □□□ (1/4" JXR female fitting mix)

AGD1*R-4RM-MMM (1/4" JXR male fitting)

AGD1*R-4W- □□□ (1/4" auto welded fitting mix)

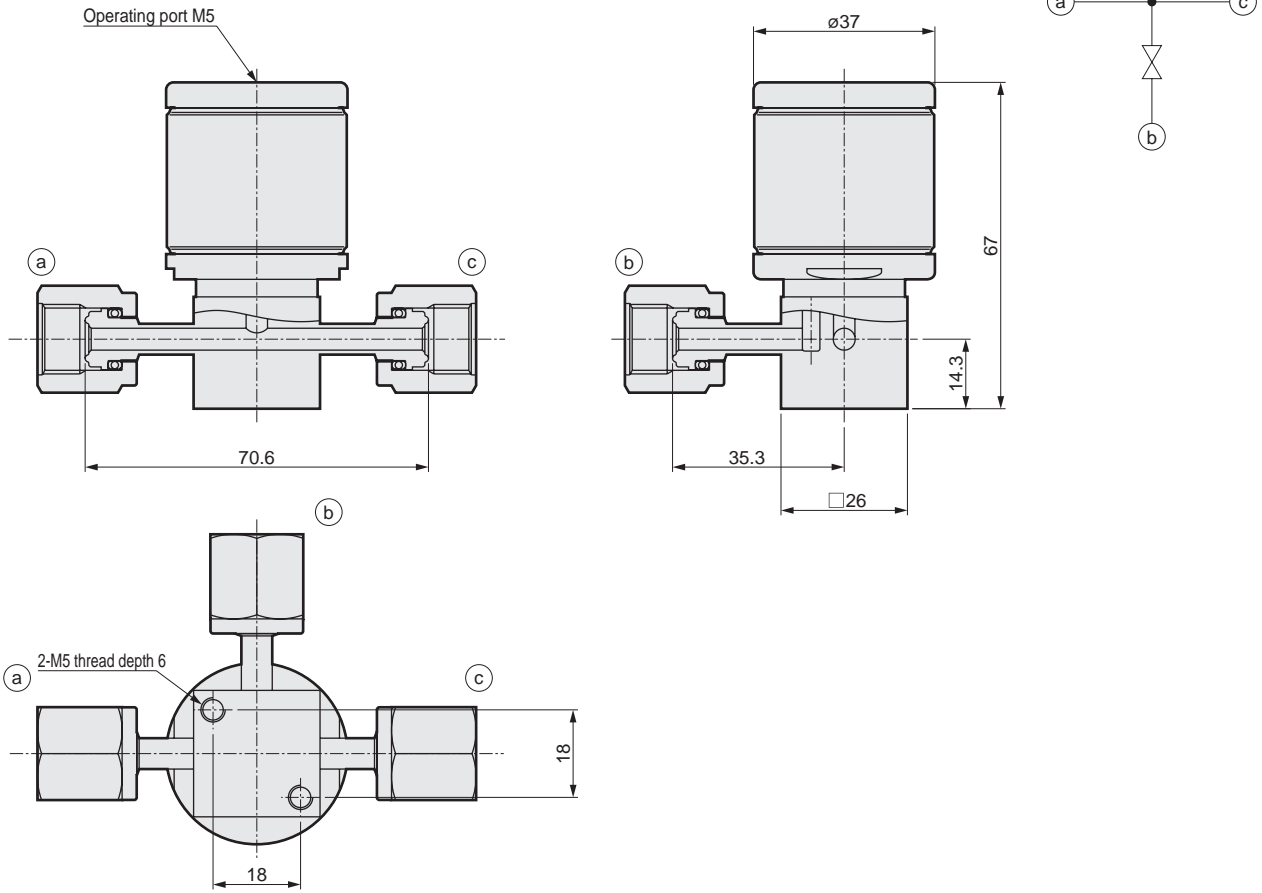
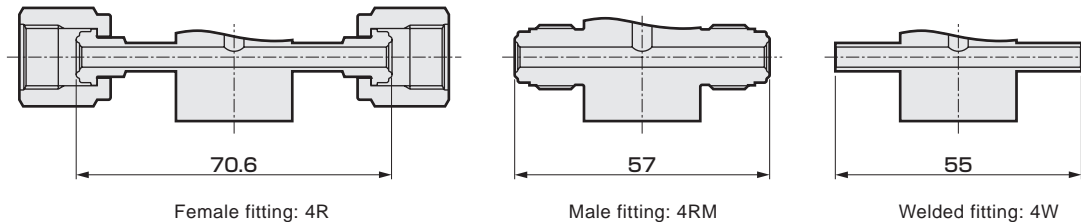
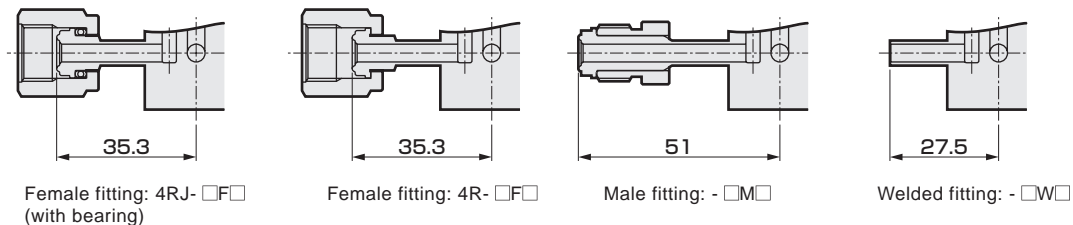


Figure shows AGD11R-4RJ-FFF
Female fitting (with bearing)

[Main port]



[Branching ports]



AGD11R 2-station 3-way valve

Made-to-order product

Dimensions

AGD11R-□****-4RJ**-□□□ (1/4" JXR female fitting (with bearing) mix)

AGD11R-□****-4R**-□□□ (1/4" JXR female fitting mix)

AGD11R-□****-4RM**-MMM (1/4" JXR male fitting)

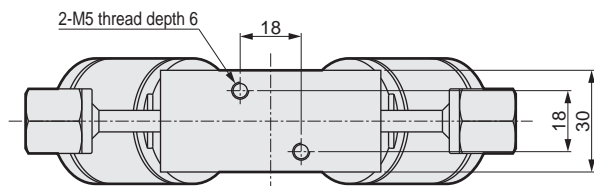
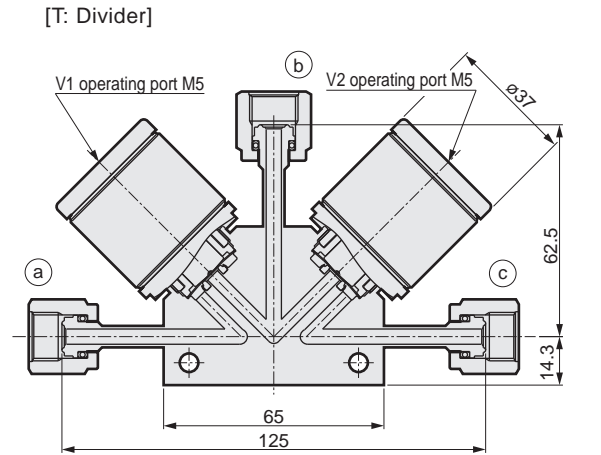
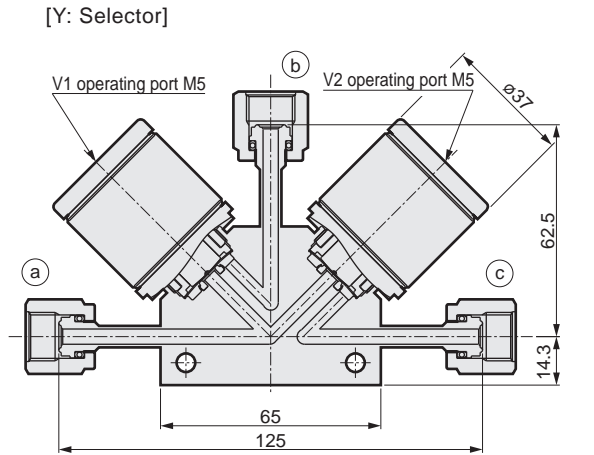


Figure shows AGD11R-Y11-4RJ-FFF
Female fitting (with bearing)

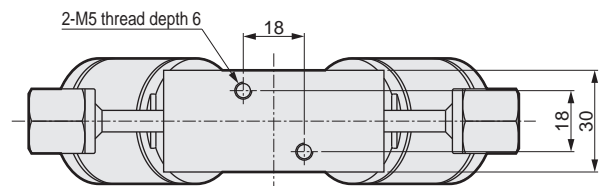
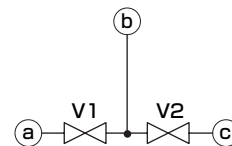
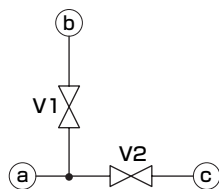
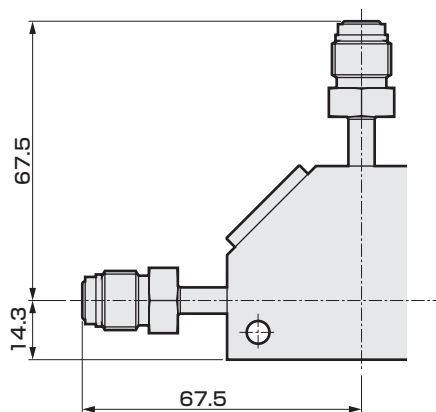


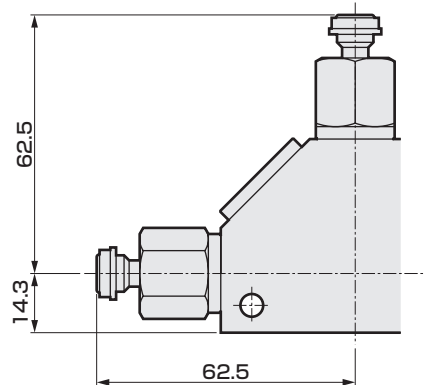
Figure shows AGD11R-T11-4RJ-FFF
Female fitting (with bearing)



[Other fitting dimensions]



Male fitting: 4RM



Female fitting: 4R

LGD Series	AGD/OGD/MGD-R Series	High durability for process gas	Regulator	Integrated gas supply system	Safety precautions	Air operated valve	Manual valve	Vacuum pressure control valves	Safety precautions	Related products
------------	----------------------	---------------------------------	-----------	------------------------------	--------------------	--------------------	--------------	--------------------------------	--------------------	------------------

Components for process gases

High vacuum components

AGD2*R 2-way valve

Made-to-order product

Dimensions

- AGD2*R-6RJ** (3/8" JXR female fitting (with bearing))
- AGD2*R-6W** (3/8" auto welded fitting)
- AGD2*R-8S** (1/2" double barbed fitting)
- AGD2*R-8RM** (1/2" JXR male fitting)
- AGD2*R-8R** (1/2" JXR female fitting)
- AGD2*R-8RJ** (1/2" JXR female fitting (with bearing))
- AGD2*R-8W** (1/2" auto welded fitting)

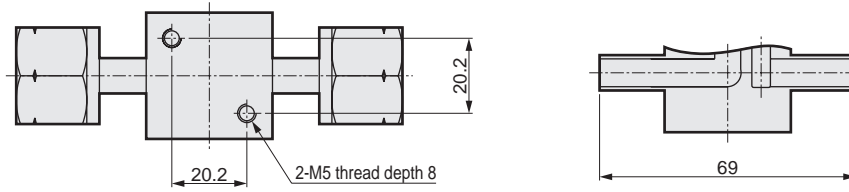
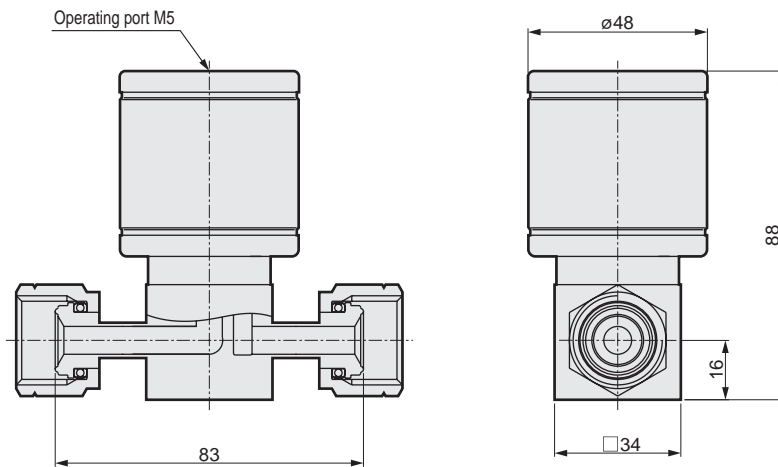
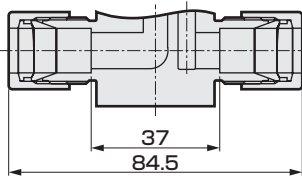
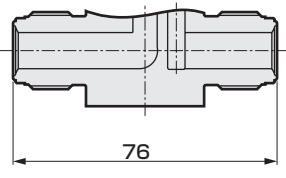


Figure shows AGD21R-6RJ
Female fitting (with bearing)

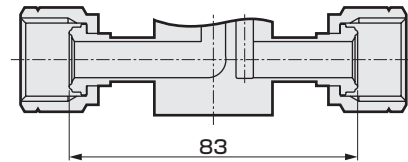
Welded fitting: 6W



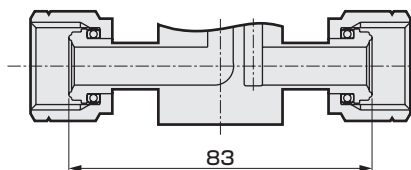
Double barbed fitting: 8S



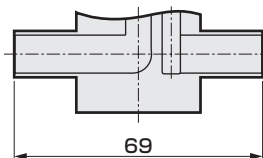
Male fitting: 8RM



Female fitting: 8R



Female fitting: 8RJ
(with bearing)



Welded fitting: 8W

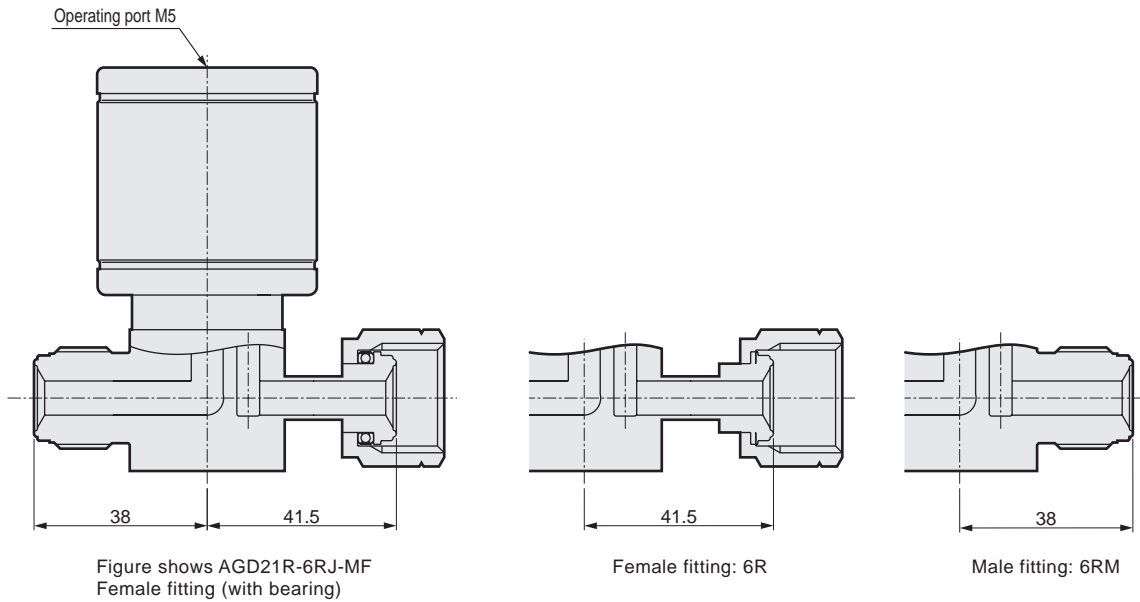
AGD2*R 2-way valve

Made-to-order product

Dimensions

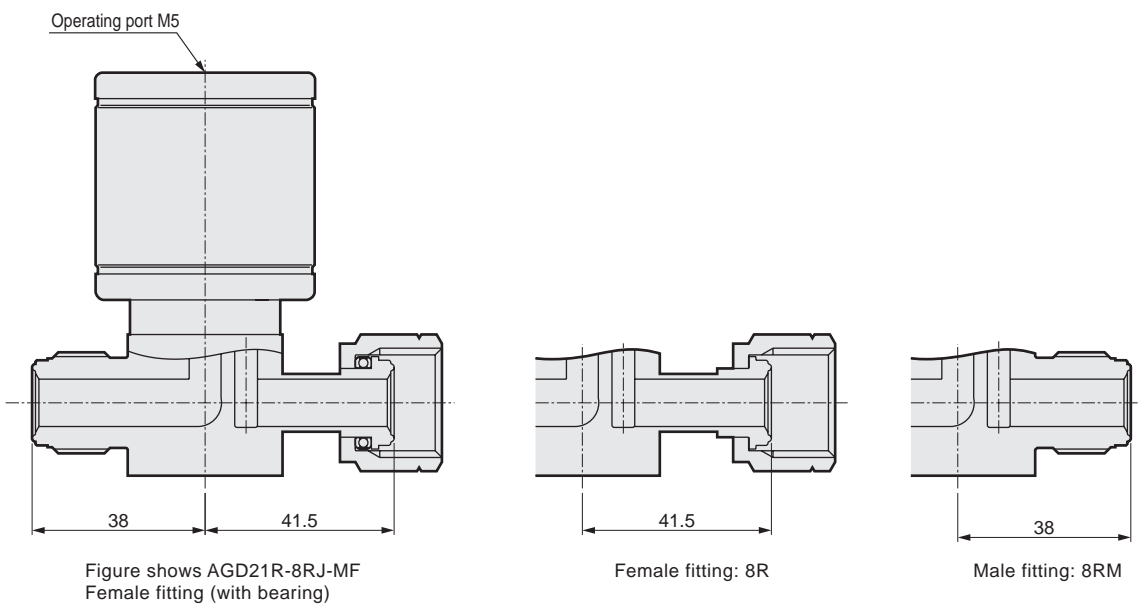
AGD2*R-6RJ-FM (3/8"JXR female fitting (with bearing) male mix)

AGD2*R-6R-MF (3/8"JXR female-male mix)



AGD2*R-8RJ-FM (1/2"JXR female fitting (with bearing) male mix)

AGD2*R-8R-MF (1/2"JXR female-male mix)



LGD Series	AGD/OGD/ MGD-R Series	High durability	Other valves for process gas	Regulator	Integrated gas supply system	Safety precautions	Air operated valve	Manual valve	Vacuum pressure control valves	Safety precautions	Related products
Components for process gases											
High vacuum components											

AGD2*R 3-way flow valve

Made-to-order product

Dimensions

AGD2*R-6RJ- □□□ (3/8" JXR female fitting (with bearing) mix)

AGD2*R-6R- □□□ (3/8" JXR female fitting mix)

AGD2*R-6RM-MMM (3/8" JXR male fitting)

AGD2*R-6W- □□□ (3/8" auto welded fitting mix)

• 1/2" size is also available. The interface is the same as the 3/8" size.

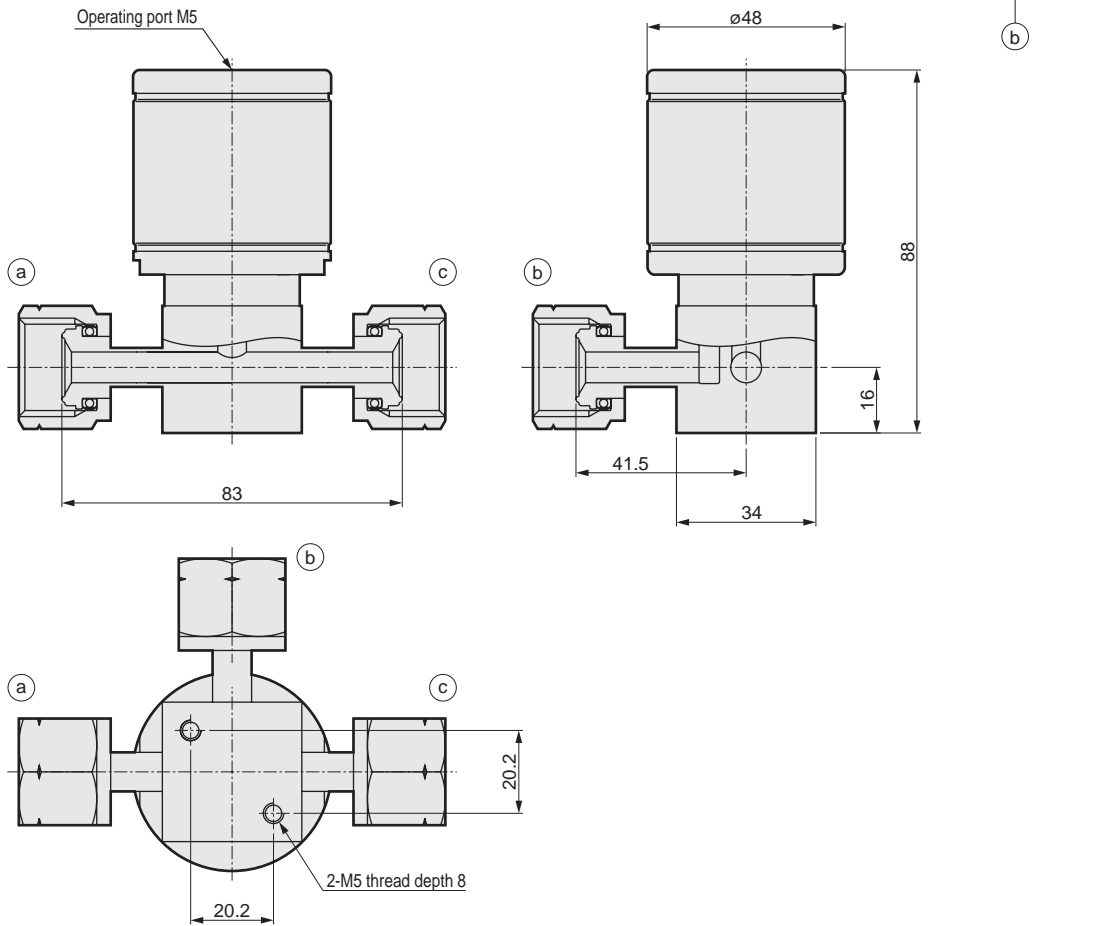
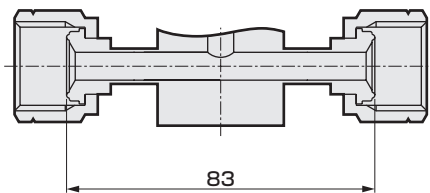
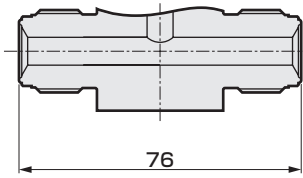


Figure shows AGD21R-6RJ-FFF
Female fitting (with bearing)

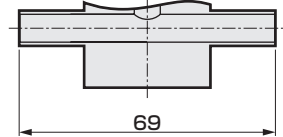
[Main port]



Female fitting: 6R

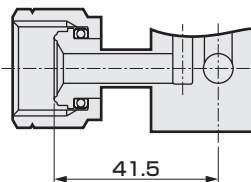


Male fitting: 6RM

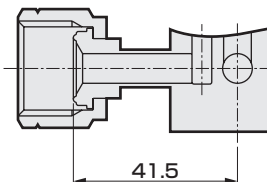


Welded fitting: 6W

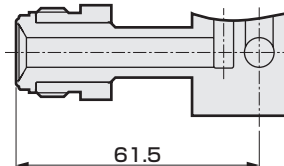
[Branching ports]



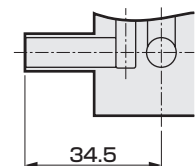
Female fitting: 6RJ- □F□
(with bearing)



Female fitting: 6R- □F□



Male fitting: - □M□



Welded fitting: - □W□

AGD21R 2-station 3-way valve

Made-to-order product

Dimensions

AGD21R-□**-6R**J-□□□** (3/8" JXR female fitting (with bearing) mix)

AGD21R-□**-6R**-□□□** (3/8" JXR female fitting mix)

AGD21R-□**-6R**M-**MMM**** (3/8" JXR male fitting)

[Y: Selector]

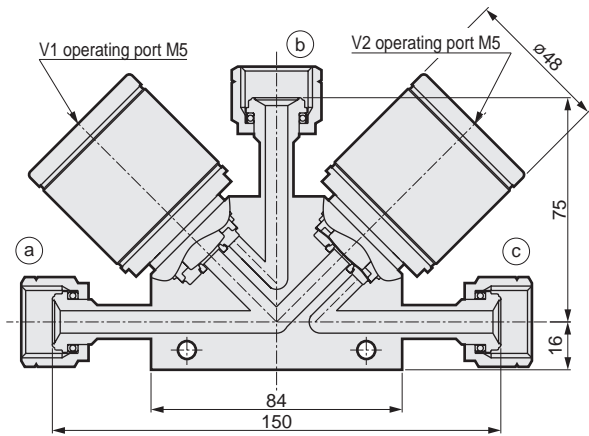
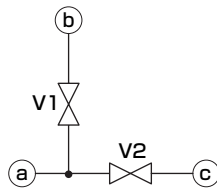


Figure shows AGD21R-Y11-6RJ-FFF
Female fitting (with bearing)



[T: Divider]

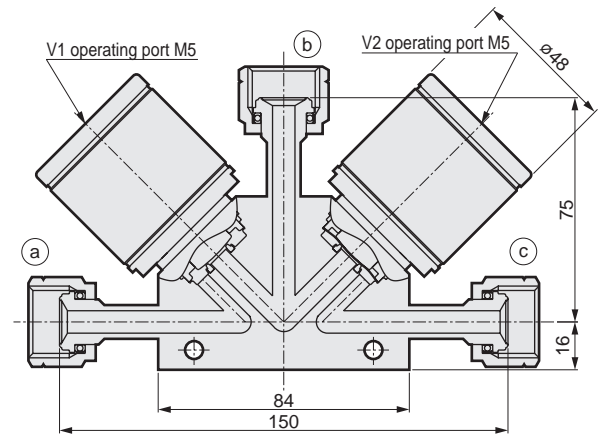
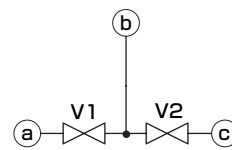
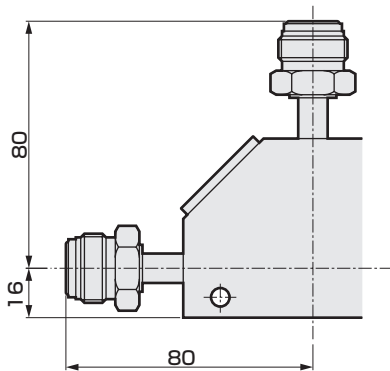


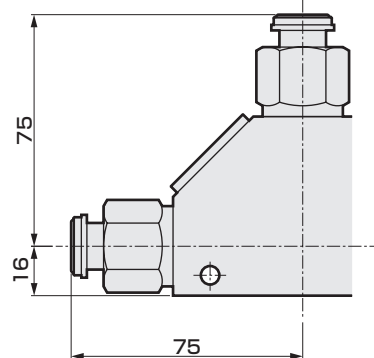
Figure shows AGD21R-T11-6RJ-FFF
Female fitting (with bearing)



[Other fitting dimensions]



Male fitting: 6RM



Female fitting: 6R

LGD Series	AGD/OGD/ MGD-R Series	High durability for process gas	Regulator	Integrated gas supply system	Safety precautions	Air operated valve	Manual valve	Vacuum pressure control valves	Safety precautions	Related products
------------	--------------------------	------------------------------------	-----------	---------------------------------	--------------------	--------------------	--------------	-----------------------------------	--------------------	------------------

Components for process gases

High vacuum components

Air operated valve for process gas

Option compatible products

AGD Series

Made-to-order product

- With valve opening adjustment mechanism



- Flow rate is adjusted when the valve is open by rotating the knob on top of the actuator.

Specifications

Item	AGD0*V	AGD1*V	AGD2*V
Working fluid	Inert gas/process gas		
Working pressure Pa(abs)-MPa(G)	1.3 x 10 ⁻⁶ to 0.5	1.3 x 10 ⁻⁶ to 0.99	
Fluid temperature °C	-10 to 80		
Ambient temperature °C	-10 to 80		
Valve seat leakage Pa·m ³ /s(He)	1.3 x 10 ⁻⁹ or less		
External leakage Pa·m ³ /s(He)	2.8 x 10 ⁻¹² or less		
Cv(23°C under pressurization)	0.1	0.26	0.6
Connection Note	1/4" JXR male fitting 1/4" JXR female fitting	1/4" JXR male fitting 1/4" JXR female fitting 1/4" double barbed fitting	3/8" JXR male fitting 3/8" JXR female fitting 3/8" double barbed fitting
Actuation	NC (Normally Closed) NO (Normally Open)		
Operating pressure MPa	NC:0.4 to 0.6 NO:0.4 to 0.45	NC:0.4 to 0.6 NO:0.4 to 0.5	
Operating port	M5	Rc1/8	

Note: JXR fitting can be connected to VCR fitting.

- With proximity switch



- Valve open/close can be detected.
Contact CKD regarding equipped switches.

Specifications

Item	AGD0*R	AGD1*R	AGD2*R
Working fluid	Inert gas/process gas		
Working pressure Pa(abs)-MPa(G)	1.3 x 10 ⁻⁶ to 0.99		
Fluid temperature °C	5 to 80 (70°C or below for proximity sensor section)		
Ambient temperature °C	5 to 80 (70°C or below for proximity sensor section)		
Storage ambient temperature °C	-10 to 80		
Valve seat leakage Pa·m ³ /s(He)	1.0 x 10 ⁻¹⁰ or less		
External leakage Pa·m ³ /s(He)	2.8 x 10 ⁻¹² or less		
Cv(23°C under pressurization)	0.1	0.3	0.65
Connection Note	1/4" JXR male fitting 1/4" JXR female fitting	1/4" JXR male fitting 1/4" JXR female fitting 1/4" double barbed fitting	3/8" JXR male fitting 3/8" JXR female fitting 3/8" double barbed fitting
Actuation	NC (Normally Closed) NO (Normally Open)		
Operating pressure MPa	NC:0.4 to 0.6 NO:0.4 to 0.5		
Operating port	M5		

Note: JXR fitting can be connected to VCR fitting.

- For high temperature fluids



- High temperature fluids up to 180°C can be used.

Specifications

Item	AGD0*V	AGD1*V	AGD2*V
Working fluid	Inert gas/process gas		
Working pressure Pa(abs)-MPa(G)	1.3 x 10 ⁻⁶ to 0.5	1.3 x 10 ⁻⁶ 0.99	
Fluid temperature °C	-10 to 180		
Ambient temperature °C	-10 to 80		
Valve seat leakage Pa·m ³ /s(He)	1.3 x 10 ⁻⁹ or less		
External leakage Pa·m ³ /s(He)	2.8 x 10 ⁻¹² or less		
Cv(23°C under pressurization)	0.1	0.26	0.6
Connection Note	1/4" JXR male fitting 1/4" JXR female fitting	1/4" JXR male fitting 1/4" JXR female fitting 1/4" double barbed fitting	3/8" JXR male fitting 3/8" JXR female fitting 3/8" double barbed fitting
Actuation	NC (Normally Closed) NO (Normally Open)		
Operating pressure MPa	NC:0.4 to 0.6 NO:0.4 to 0.45	NC:0.4 to 0.6 NO:0.4 to 0.5	
Operating port	M5	Rc1/8	

Note: JXR fitting can be connected to VCR fitting.

* Contact CKD for option-compatible product model numbers and other details

LGD Series	AGD/OGD/ MGD-R Series	High durability	Other valves for process gas	Regulator	Integrated gas supply system	Safety precautions	Air operated valve	Manual valve	Vacuum pressure control valves	Safety precautions	Related products
Components for process gases											
High vacuum components											