

Oil Level Dipsticks

C4.0410 · C4.0412 · C4.0421 · C4.0431 · C4.0450 · C4.0464

With mounting bolts · Bolt thread M10 · Dipstick length up to 640 mm / 25.2 inch



Oil Level Dipstick C4.0410-00330

Description

Application

Controlling the oil level in hydraulic oil or lubricant reservoirs.

Construction and function

ARGO-HYTOS oil level dipsticks are robust semicircular metal rods with an O-ring seal. A mounting bolt with a suitable hole is supplied with each dipstick. Dipsticks are available in various lengths, with various markings, and with various mounting bolts (see selection chart).

Special features

- › The robust material withstands even the most severe operating conditions.
- › Absolutely leak-free due to the integrated O-ring.
- › The supplied dipstick mounting bolt can also replace one of the mounting bolts of an in-tank, return or suction filter.

Mounting

The bolt supplied with the oil level dipstick is installed either in a separate threaded hole or in an already existing mounting hole for an in-tank filter.

If used as a filter mounting bolt, a separate threaded hole is eliminated. Care should be taken to provide a proper seal between the tank, the filter and the mounting bolt.

Selection Chart

Part No.	Dipstick dimension L1		Dipstick dimension L2		Dipstick dimension L3		Mounting bolt	Grade	Remarks
	mm	inch	mm	inch	mm	inch			
1	2		3		4		5	6	7
C4.0410-00330¹	100	3.94	-	-	-	-	SV.2810.05	8.8	-
C4.0410-01330	100	3.94	95	3.74	64	2.52	SV.2810.05	8.8	-
C4.0412-00330¹	120	4.72	-	-	-	-	SV.2810.05	8.8	-
C4.0412-03330	120	4.72	97	3.82	47	1.85	SV.2810.05	8.8	-
C4.0412-04330	120	4.72	100	3.94	75	2.95	SV.2810.05	8.8	-
C4.0421-00330¹	210	8.27	-	-	-	-	SV.2810.05	8.8	-
C4.0421-04330	210	8.27	118	4.65	88	3.46	SV.2810.05	8.8	-
C4.0421-06330	210	8.27	71	2.80	46	1.81	SV.2810.05	8.8	-
C4.0431-00330¹	310	12.20	-	-	-	-	SV.2810.05	8.8	-
C4.0431-01330	310	12.20	190	7.48	160	6.30	SV.2810.05	8.8	-
C4.0450-00330¹	500	19.68	-	-	-	-	SV.2810.05	8.8	-
C4.0464-00330¹	640	25.20	-	-	-	-	SV.2810.05	8.8	-
C4.0464-01330	640	25.20	630	24.80	90	3.54	SV.2810.05	8.8	-

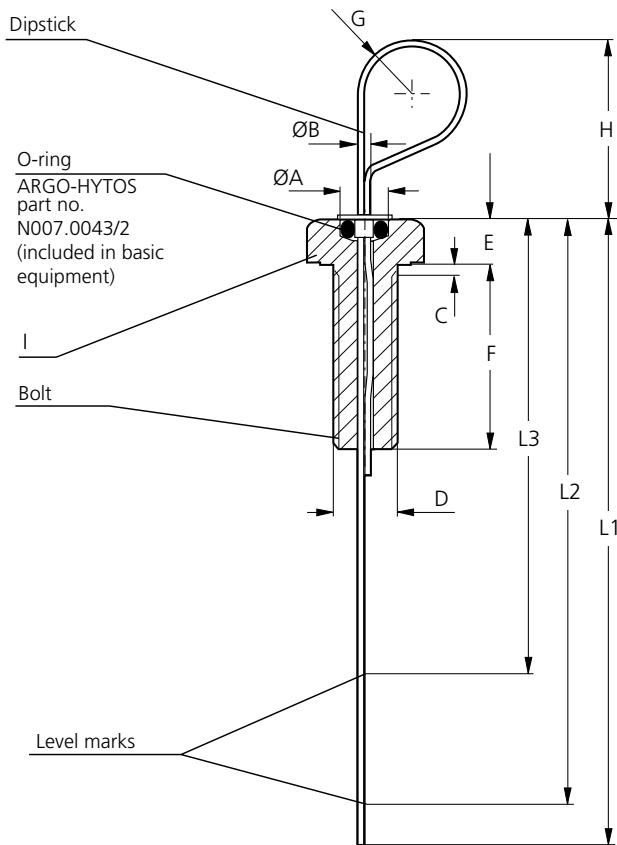
¹ Preferred type, no minimum order quantity required

Remarks:

The dipsticks listed in the chart are standard dipsticks. If modifications are required, e.g. for the use in pressurized tanks, we kindly ask for your request.

Dimensions

Dipstick with bolt



Measurements in mm

Mounting bolt	A	B	C	D	E	F	G	H	I
SV.2810.05	10	3.7	4.5	M10	7	30	10	39	AF 17

Measurements in inch

Mounting bolt	A	B	C	D	E	F	G	H	I mm
SV.2810.05	0.39	0.15	0.18	M10	0.28	1.18	0.39	1.54	AF 17



Characteristics

Operating pressure

Max. 1 bar / 14.5 psi (abs.)
(not suitable for use in pressurized hydraulic oil tanks)

Connection

Threaded ports according to ISO 228 or DIN 13.
Sizes see section Dimensions
(other port threads on request).

Hydraulic fluids

Mineral oil and biodegradable fluids
(HEES and HETG, see info-sheet 00.20).

Temperature range

-30 °C ... +100 °C (temporary +125 °C)
-22 °F ... +212 °F (temporary +257 °F)

Ambient temperature range

-30 °C ... + 80 °C (temporary +100 °C)
-22 °F ... +176 °F (temporary +212 °F)

Materials

Dipsticks: Steel, zinc plated
Bolts: Steel, zinc plated
Seals: NBR (FPM on request)

Mounting position

Preferably in vertical position

Quality Assurance

Quality management according to DIN EN ISO 9001

Various quality controls during the production process guarantee the leakfree function and solidity of our products.

Illustrations may sometimes differ from the original. ARGO-HYTOS is not responsible for any unintentional mistake in this specification sheet.

Oil Level Gauges

C5.3511 · C5.3516 · C5.3529

Indication range up to 194 mm / 7.64 inch · With thermometer · Temperature indication up to 80 °C / 180 °F



Oil Level Gauges C5.3516-50

Description

Application

Indicates the oil level and the oil temperature in hydraulic oil or lubricant reservoirs.

Design and function

ARGO-HYTOS oil level gauges consist of a robust metal housing equipped with a sight level tube and built-in thermometer. The fluid enters the thermometer chamber through the mounting bolts, which are hollow. O-rings provide a seal against the housing and the reservoir wall.

Special features

- › The robust metal housing is designed to withstand even the most severe operating conditions.
- › The integrated aluminum scale comes with MIN-/MAX marking and a glass thermometer, showing the oil temperature in °C and °F.

Mounting

The hollow screws and the locking nuts supplied with the gauge, enable installation on the reservoir wall. With the locking nuts, the bolts can be retightened from the outside (tightening torque: 8 Nm). If the wall of the reservoir is more than 8 mm / 0.32 inch thick, no locking nuts are needed. Threaded holes are required instead of smooth bore holes.

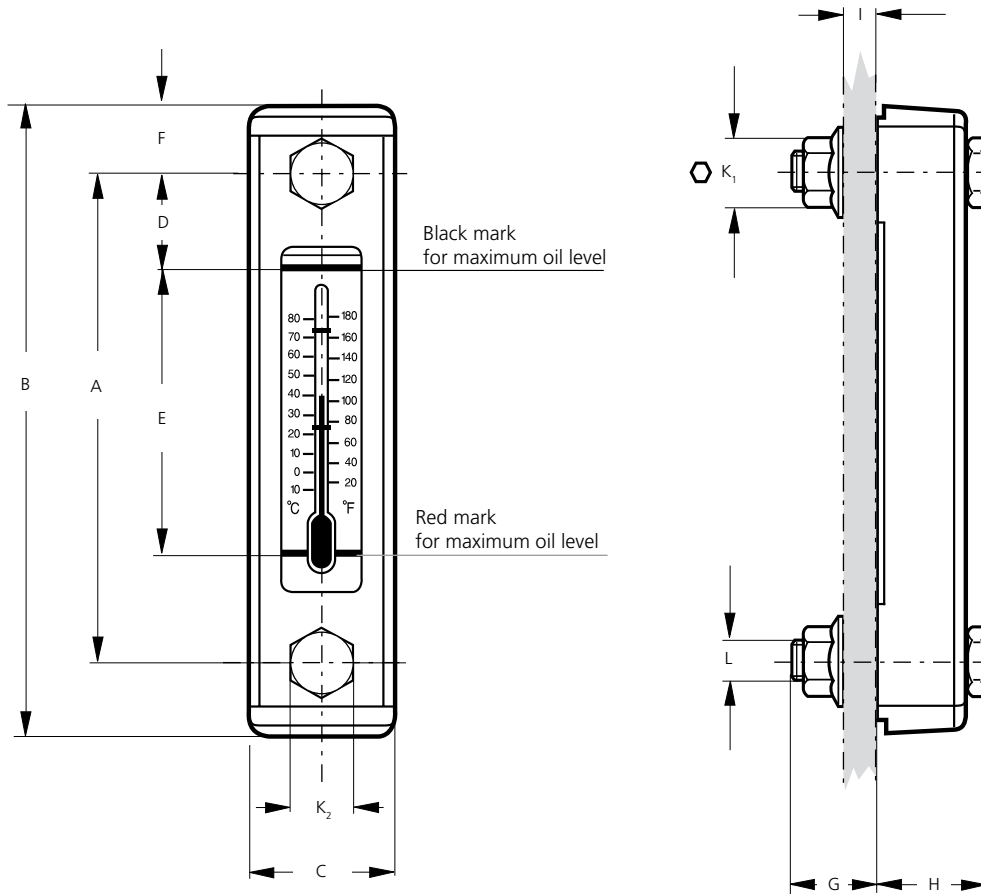
Selection Chart

Part No.	Oil level indicating range E		Total height B		Temperature indicating range		Mounting bolts	Weight		Remarks
	mm	inch	mm	inch	°C	°F		kg	lbs	
1	2	3	4	5	6	7	8			
C5.3511-50	33	1.30	108	4.25	+20 ... +80	80 ... 180	M10	0.18	0.40	-
C5.3516-50	74	2.91	159	6.26	-10 ... +80	20 ... 180	M12	0.24	0.53	-
C5.3529-50	194	7.64	285	11.22	-10 ... +80	20 ... 180	M12	0.32	0.71	-

Remarks:

The gauges listed in the chart are standard gauges. If modifications are required, we kindly ask for your request.

Dimensions



At the housing C5.3529-50 the vision panel is divided in two sections.

Measurements in mm

Type	A	B	C	D	E	F	G	H	I max.*	K1	K2	L
C5.3511-50	76	108	34.5	22.5	33	16	17	28	8	AF 15	AF 17	M10
C5.3516-50	127	159	34.5	27.5	74	16	17	28	8	AF 18	AF 17	M12
C5.3529-50	254	286	34.5	31	194	16	17	28	8	AF 18	AF 17	M12

Measurements in inch

Type	A	B	C	D	E	F	G	H	I max.*	K1 mm	K2 mm	L
C5.3511-50	2.99	4.25	1.36	0.89	1.30	0.63	0.67	1.10	0.31	AF 15	AF 17	M10
C5.3516-50	5.00	6.26	1.36	1.08	2.91	0.63	0.67	1.10	0.31	AF 18	AF 17	M12
C5.3529-50	10.00	11.26	1.36	1.22	7.64	0.63	0.67	1.10	0.31	AF 18	AF 17	M12

* With a reservoir wall thickness of more than 8 mm / 0.32 inch, threaded holes are required instead of smooth bore holes.

Characteristics

Operating pressure

Max. 2 bar / 29 psi (abs.)

Connection

Threaded ports according to DIN 13. Sizes see Selection Chart, column 6 and section Dimensions.

Hydraulic fluids

Mineral oil and biodegradable fluids (HEES and HETG, see info-sheet 00.20).

Temperature range

-20 °C ... + 80 °C
- 4 °F ... +180 °F

Ambient temperature range

-25 °C ... + 80 °C
-13 °F ... +180 °F

Materials

Housing: Steel, powder coated, black
Sight level tube: Polyamide
Scale: Aluminum
Thermometer: Glass
Bolts: Steel, zinc plated
Seals: NBR (FPM on request)

Mounting position

In the min. / max. oil level range on the side wall of the hydraulic oil reservoir.

Quality Assurance

Quality management according to DIN EN ISO 9001

Various quality controls during the production process guarantee the leakfree function and solidity of our products.

Illustrations may sometimes differ from the original. ARGO-HYTOS is not responsible for any unintentional mistake in this specification sheet.



1

2

3

4

5

6

7

8



Oil Drain Valves

AV · TV

For mobile and industrial applications · Connection up to M32 x 1.5 / R1"



Oil drain valves

Description

Application

Alternatively to oil drain plugs at oil tanks you can also insert ARGO-HYTOS oil drain valves of type series AV20 or TV. The oil can precisely be discharged over the drain hole into a container or be sucked off by connected oil pumps or ARGO-HYTOS oil service units. Oil change or oil service is being simplified and can be effected almost without losing any oil. Examples for applications: Oil storage tanks in all industries, gear boxes, test benches, axles of rail vehicles.

Design and function

ARGO-HYTOS oil drain valves consist of a housing with spindle and poppet sealing. The poppet is opened by the spindle and the oil then will be drained. Threads at the oil drain hole allow connection of oil pumps or ARGO-HYTOS oil service units.

Special design features

- › Sealing by precise steel ball
- › With Type AV additional sealing of the spindle

Fixing

At the bottom of the tank by screw connection.

Operating pressure

Max. 1 bar / 14.5 psi absolute
(not applicable with pressurized containers)

Connection

Threaded port – see Measurements

Hydraulic fluids

Mineral oil and biodegradable hydraulic fluids
(HEES and HETG, see info-sheet 00.20)

Temperature range of fluids

-30 °C ... +100 °C
-22 °F ... +212 °F

Ambient temperature range

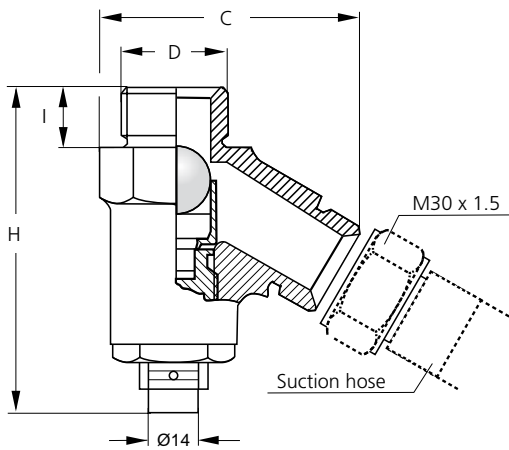
-30 °C ... + 80 °C
-22 °F ... +212 °F

Materials

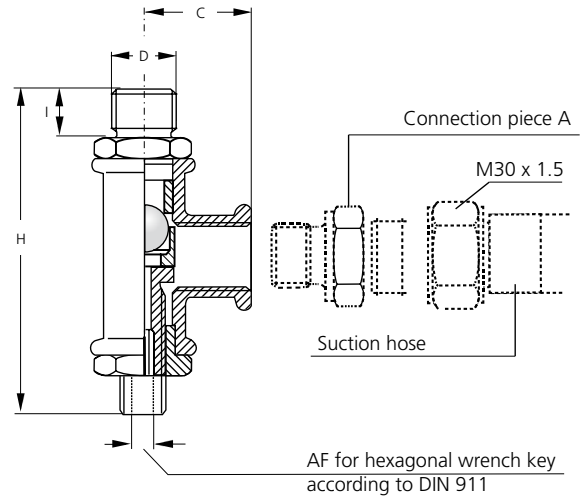
Housing: Malleable iron powder-coated
Spindle and ball: steel
Operating position: vertical or horizontal

Dimensions

Type AV



Type TV



Measurements

Type AV

Part No.	Type	D	C		H		I		AF mm
			mm	inch	mm	inch	mm	inch	
EC330400	AV20	M32 x 1.5	75	2.95	93	3.66	16	0.63	14
EC330410	AV20/1	M30 x 1.5	75	2.95	93	3.66	16	0.63	14

Type TV

Part No.	Type	D	C		H		I		Connection A	AF mm
			mm	inch	mm	inch	mm	inch		
EC330110	TV R 1/2"	R 1/2"	28	1.10	92	3.62	15	0.59	M30 x 1.5 to R 1/2"	6
EC330120	TV R 3/4"	R 3/4"	33	1.30	102	4.02	16	0.63	M30 x 1.5 to R 3/4"	8
EC330130	TV R1"*	R 1"	38	1.50	125	4.92	18	0.71	M30 x 1.5 to R 1"	8

* For type TV R1" (EC330130), the spindle is additionally sealed with cap nut and flat gasket (not shown in drawing).