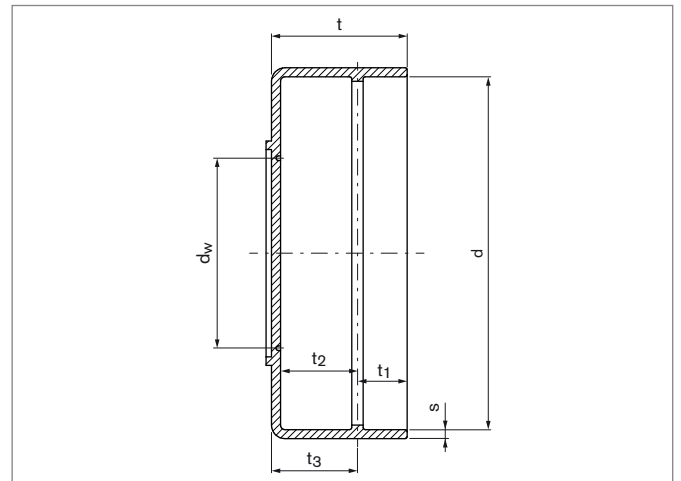


Shrink Discs

RINGFEDER® Safety Covers

Suited for Series RfN 4061 and RfN 4161



No.	Safety Covers							Shrink Discs	
	d	d _w	s	t	t ₁	t ₂	t ₃	RfN 4061	RfN 4161
	mm	mm	mm	mm	mm	mm	mm	d x D	d x D
SC01	49	26	2,4	22,5	6,0	14,1	16,5	21 x 50	24 x 50
								24 x 50	26 x 51,5
								30 x 52	
SC02	59	26	2	23	7,0	15	17	30 x 60	30 x 60
SC03	70	33	2	27	5,5	19,5	21,5	36 x 72	36 x 72
								38 x 72	38 x 72
								40 x 72	
SC04	78	40	2	29	7,5	19,5	21,5	44 x 80	40 x 80
								48 x 80	44 x 80
SC05	88	42	2	30,5	8,3	20,25	22,25	50 x 90	50 x 90
SC06	107	60	3	33,5	8,8	21,75	24,75	62 x 110	60 x 110
								68 x 115	62 x 110
									68 x 115
SC07	135	70	3	36,8	9,0	24,8	27,8	75 x 138	75 x 138
								80 x 145	80 x 141
SC08	151	75	3	44,8	13,0	28,8	31,8	85 x 155	85 x 155
								90 x 155	90 x 155

To continue see next page

Shrink Discs RINGFEDER® Safety Covers

No.	Safety Covers							Shrink Discs	
	d	d _w	s	t	t ₁	t ₂	t ₃	RfN 4061 d x D	RfN 4161 d x D
	mm	mm	mm	mm	mm	mm	mm	mm	mm
SC09	180	95	3	58,4	18,5	36,9	39,9	110 x 185 115 x 185	100 x 185 105 x 185 110 x 185
SC10	166	80	3	51,5	15,6	32,9	35,9	95 x 170 100 x 170	95 x 170
SC11	195	95	3,5	61,5	16,0	42	45,5	---	115 x 200 120 x 200
SC12	210	100	3,5	59,4	16,0	39,9	43,4	125 x 215	125 x 215
SC13	225	115	3,5	67	19,3	44,25	47,75	140 x 230	130 x 230 135 x 230 140 x 230

Explanations

d = Inner diameter	s = Material thickness	t₂ = Inner distance of lid to bar
D = Outer diameter	t = Length of cover	t₃ = Outer distance of lid to bar
d_w = Solid shaft diameter	t₁ = Distance of cover back to bar	

Ordering example

	No.
Shrink Discs Safety Covers	SC08

Further information on
RINGFEDER® Safety Covers
 on www.ringfeder.com

Disclaimer of liability

All technical details and notes are non-binding and cannot be used as a basis for legal claims. The user is obligated to determine whether the represented products meet his requirements. We reserve the right to carry out modifications at any time in the interests of technical progress.