

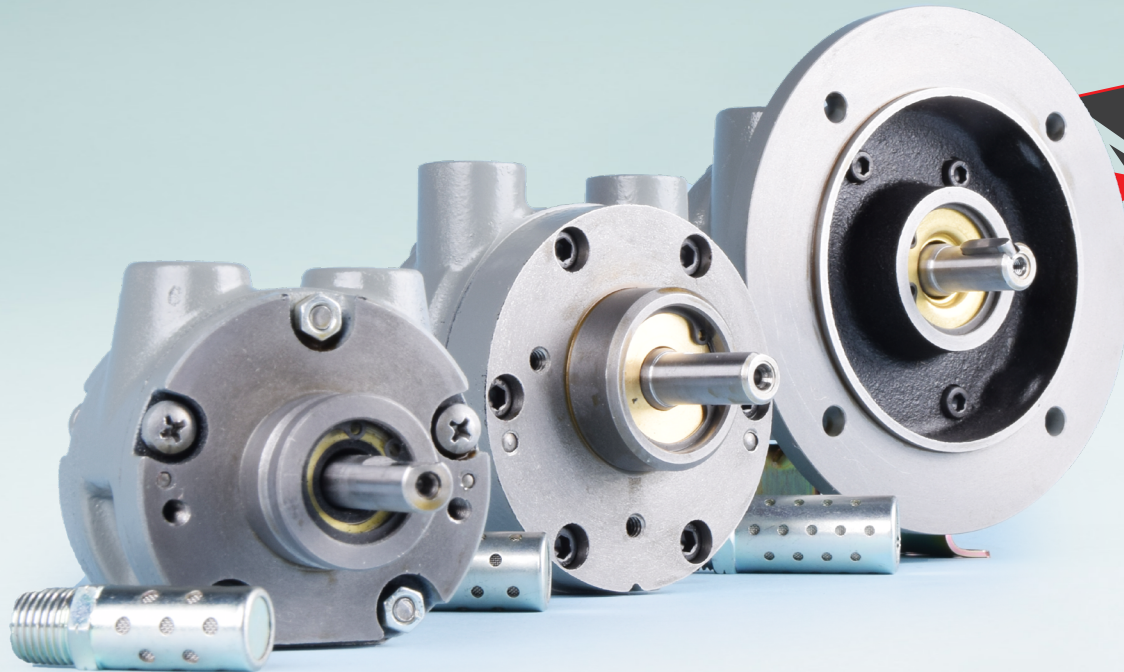


GLOBE AIRMOTORS B.V.

GLOBE Airmotors | Boerhaaveweg 9-11 | NL - 2408 AD Alphen a/d Rijn | Tel +31 172 426 608 | info@globe-benelux.nl

Specifications: VA10J&X-NL | VS10C-NL | VA10C-NL

Vane Air Motor Non Lubricated



Order your

VANE AIR MOTOR:

info@globe-benelux.nl

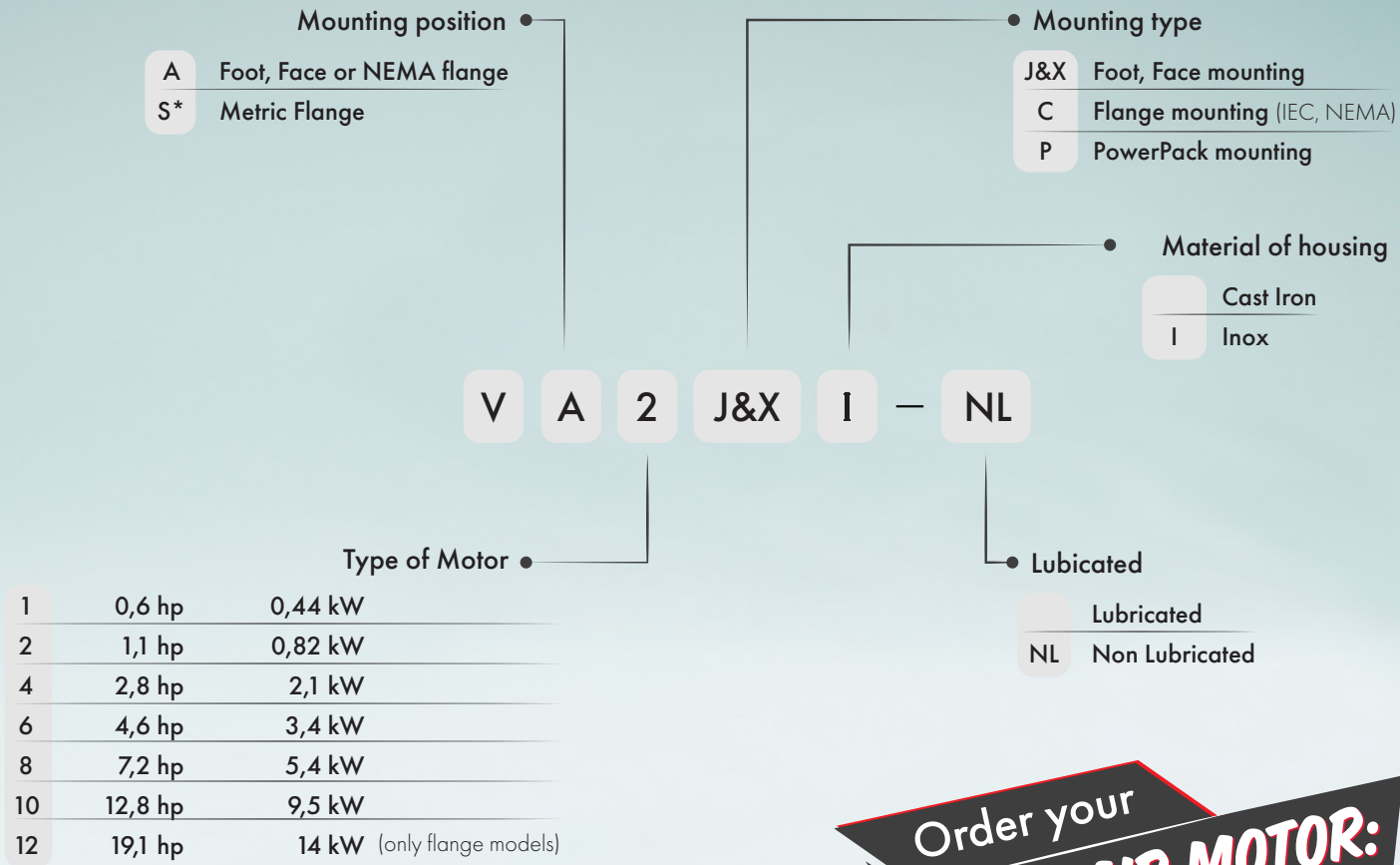
Contents

Performance	3
Main dimensions VA10J&X-NL	3
Main dimensions VS10C-NL	4
Main dimensions VA10C-NL	4
Accessories for the V10-NL	5




CE UK CA Ex II 2G Ex h IIC T4 Gb
II 2D Ex h IIIC T135°C Db
Ta = - 20° + 60°C

globe-airmotors.com

Ordering Code



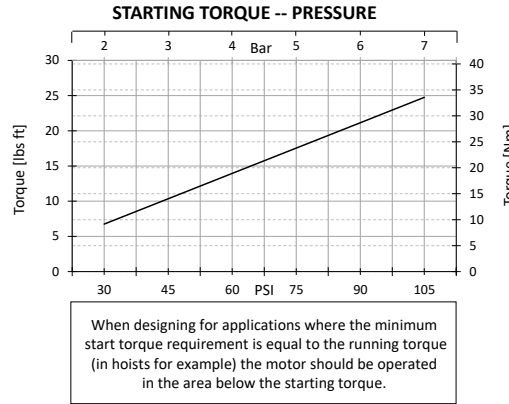
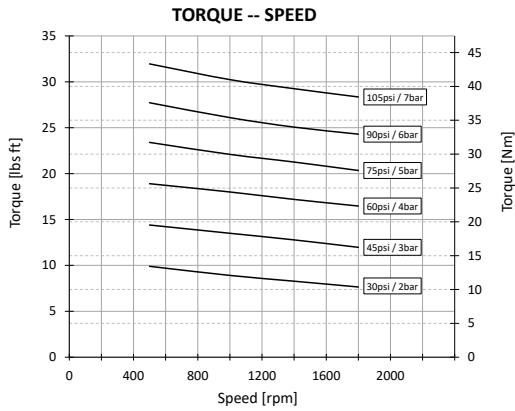
All our Vane Air Motors are delivered with the ATEX Certificate:




II 2G Ex h IIC T4 Gb
II 2D Ex h IIIC T135°C Db
 -20° ≤ Ta ≤ +60°C

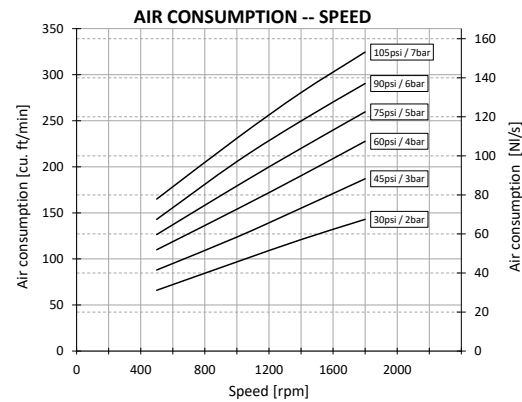
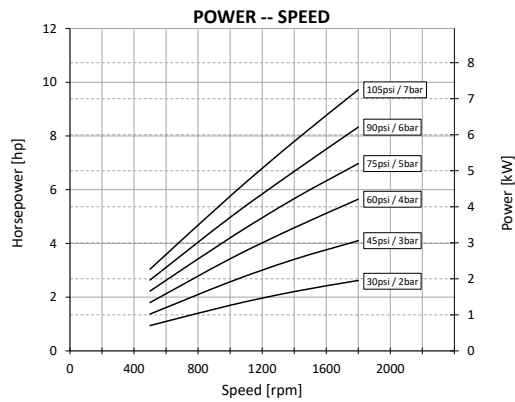
* The VS types are only available with mouting type C (for example VS8C).

Order your
VANE AIR MOTOR:
orders@globe-benelux.nl

Performances V10 Vane Air Motor



When designing for applications where the minimum start torque requirement is equal to the running torque (in hoists for example) the motor should be operated in the area below the starting torque.



Air quality and filtration:

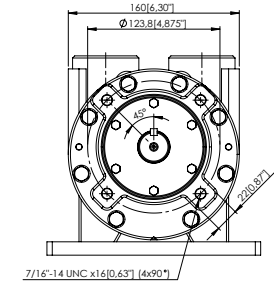
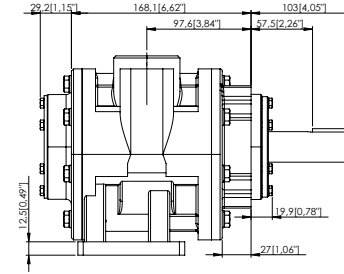
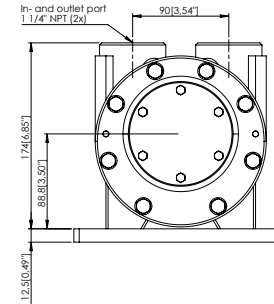
Use 5 micron filtration. The air has to be dry to prevent corrosion inside the motor when it is not in use. Advisable is to use an air dryer with set point of 20 degrees Celsius below lowest ambient temperature.

- » Silencer supplied with motor.
- » Motor is reversible.
- » Maximum temperature for ATEX applications -20°C to +60°C (-4°F to +140°F)
- » Maximum temperature for non-ATEX applications -20°C to +80°C (-4°F to +176°F)

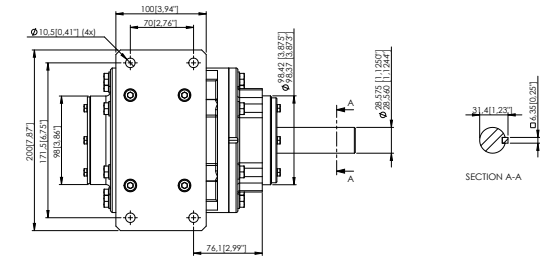
Maximum speed 1800 rpm | Continuous speed 1200 rpm

Life time depends highly on operational speed and air pressure. Continuous duty is best suited to non lubricated operation. Moisture in the air can cause corrosion problems during rest periods.

VA10J&X

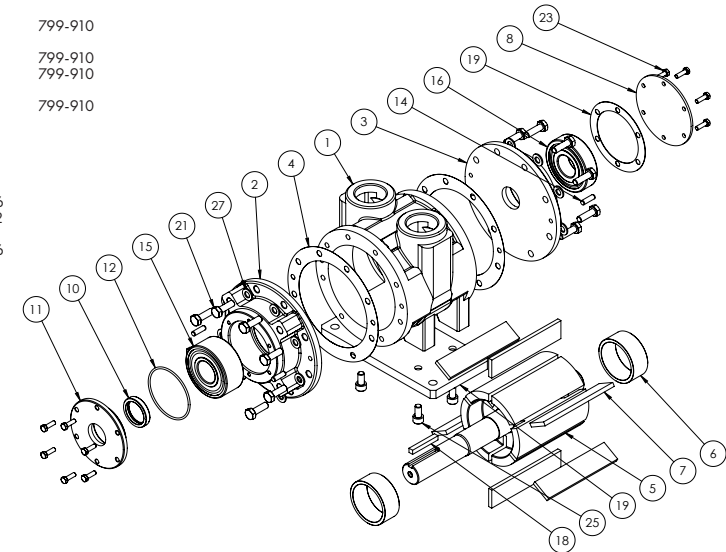


- » Maximum temperature -20°C to +60°C (-4°F to +140°F)
- » Silencer supplied with motor
- » Max. Overhung Force on shaft 1750 N (400 lbf.)
- » Axial loads should be kept to a minimum
- » Mass 22 kg



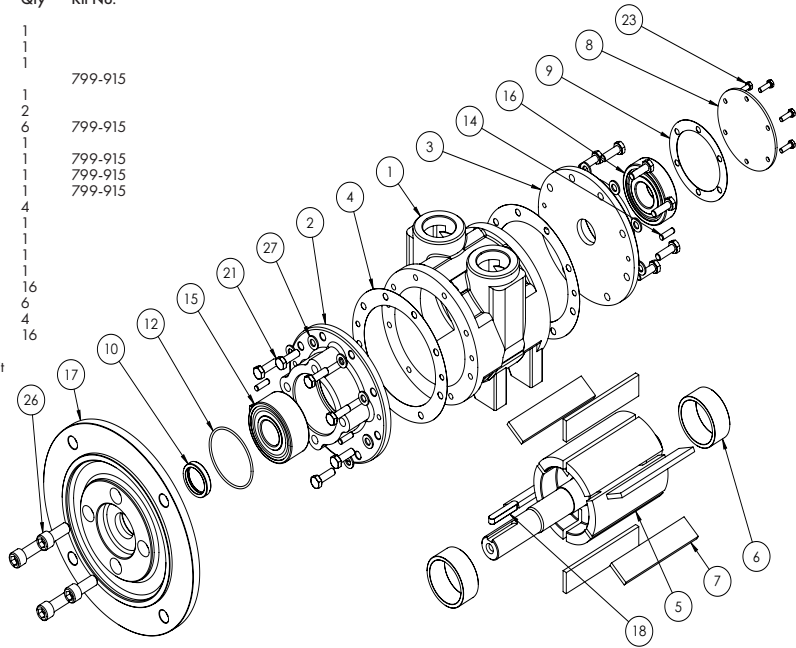
Note: With air inlet at port 'A', rotation is clockwise looking on shaft. For opposite rotation reverse ports.

Item	Part No.	Description	Qty	Kit No.
1	790-001	Body NPT	1	
2	790-003	Front plate	1	
3	790-002	Back plate	1	
4	790-062	Gasket	1	799-910
5	790-911	Rotor	1	
6	790-006	Ejection ring	2	
7	790-005	Rotor blade	6	799-910
8	790-008	Cover plate	1	
9	790-009	Gasket	1	799-910
10	808-058	Shaft seal	1	799-910
11	790-007	Seal housing	1	
12	808-038	O-ring	1	799-910
14	806-018	Dowel pin	4	
15	807-037	Bearing	1	
16	807-019	Bearing	1	
18	811-024	Key	1	
19	790-015	Foot (VA10J only)	1	
21	802-033	Screw	16	
23	802-007	Screw	12	
25	809-008	Screw (VA10J only)	4	
27	803-019	Washer	16	
	799-910	V10 Seal Kit		



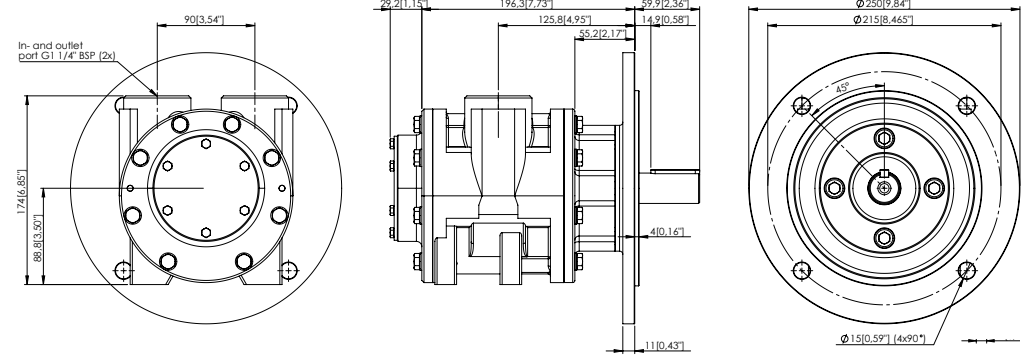
VS10C

Item	Part No.	Description	Qty	Kit No.
1	790-101	Body BSP	1	
2	790-026	Front plate	1	
3	790-002	Back plate	1	
4	-	Gasket	1	799-915
5	790-923	Rotor	1	
6	790-006	Ejection ring	2	
7	-	Rotor blade	6	799-915
8	790-008	Cover plate	1	
9	-	Gasket	1	799-915
10	808-058	Shaft seal	1	799-915
12	-	O-ring	1	799-915
14	806-018	Dowel pin	4	
15	807-037	Bearing	1	
16	807-019	Bearing	1	
17	790-037	Flange	1	
18	811-033	Key	1	
21	802-033	Screw	16	
23	802-007	Screw	6	
26	809-019	Screw	4	
27	803-019	Washer	16	
799-915	V10-NL Service Kit			

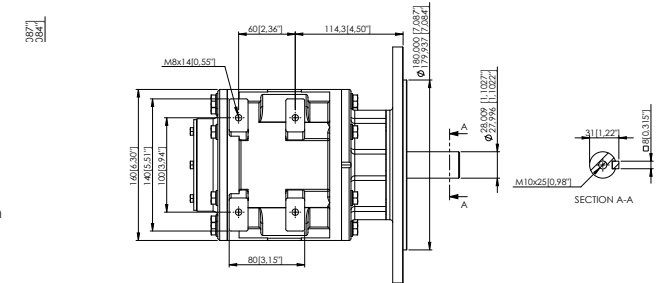


Note: With air inlet at port 'A', rotation is clockwise looking on shaft.

For opposite rotation, reverse ports.

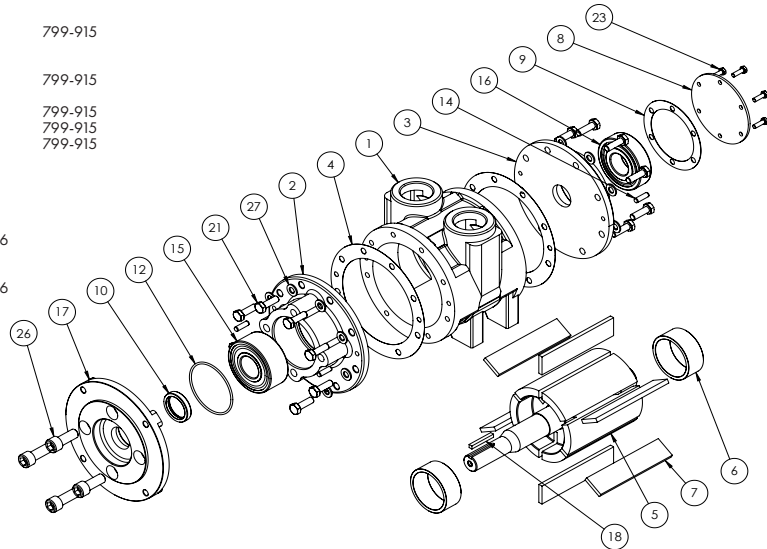


- » Maximum temperature -20°C to +60°C (-4°F to +140°F)
- » Silencer supplied with motor
- » Max. Overhung Force on shaft 1750 N (400 lbf.)
- » Axial loads should be kept to a minimum
- » Mass 27 kg



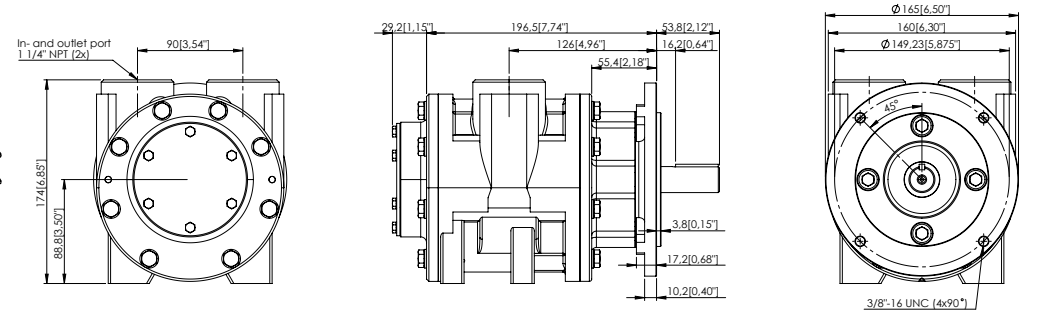
VA10C

Item	Part No.	Description	Qty	Kit No.
1	790-001	Body NPT	1	
2	790-026	Front plate	1	
3	790-002	Back plate	1	
4	-	Gasket	1	799-915
5	790-910	Rotor	1	
6	790-006	Ejection ring	2	
7	-	Rotor blade	6	799-915
8	790-008	Cover plate	1	
9	-	Gasket	1	799-915
10	808-058	Shaft seal	1	799-915
12	-	O-ring	1	799-915
14	806-018	Dowel pin	4	
15	807-019	Bearing	1	
16	807-037	Bearing	1	
17	790-018	Flange	1	
18	811-020	Key	1	
21	802-033	Screw	16	
23	802-007	Screw	6	
26	809-019	Screw	4	
27	803-019	Washer	16	
799-915	V10-NL Service Kit			

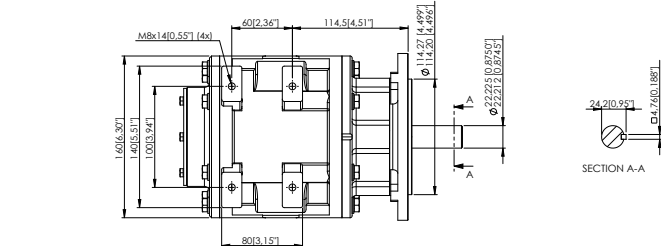


Note: With air inlet at port 'A', rotation is clockwise looking on shaft.

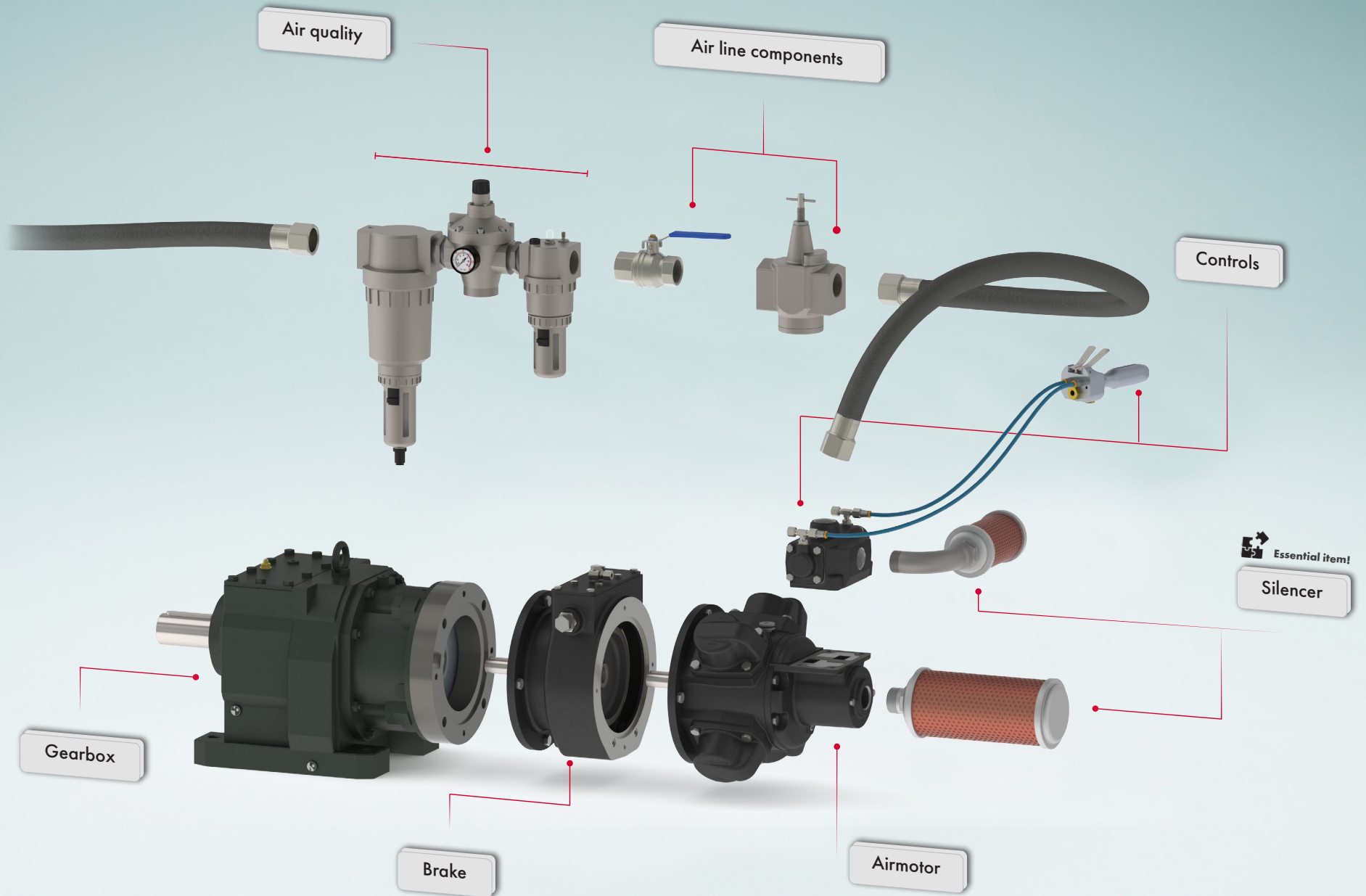
For opposite rotation, reverse ports.



- » Maximum temperature -20°C to +60°C (-4°F to +140°F)
- » Silencer supplied with motor
- » Max. Overhung Force on shaft 1750 N (400 lbf.)
- » Axial loads should be kept to a minimum
- » Mass 24 kg



Accessories for the GLOBE Air Motor



For specifications, see next page.

Accessories for the GLOBE V10-NL Vane Air Motor

Complete your V10-NL Vane Air Motor with many different accessories. Order your GLOBE air motor with the desired options, and have it delivered to you completely assembled. In addition, you are assured of GLOBE quality for your air motor and assembly.



For
VA10C-NL VA10J-NL
VA10X-NL VS10C-NL

Many of our accessories, including the brakes, are ATEX certified. With the GLOBE air motors & accessories you can always work safely in explosion-prone areas. See below which options we offer for your air motor.

Controls

We offer many different control valves for our air motors. For example we supply proportional control valves which are mounted directly onto the air motor. They allow you to not only change the direction of the motor, but also the speed of the motor. Besides the proportional control valves we also offer standard control valves suitable for our air motors.

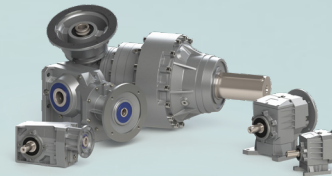
The following control valves are available for the GLOBE V10-NL Vane Air Motor:

Hand Controlled

ART. NR
433-900

Remote Controlled

ART. NR
431-900



Gearbox

The GLOBE vane air motors are available with worm, coaxial and planetary gearboxes. The gearboxes are mounted directly onto the vane motors. This design makes them compact and well protected from external influences. The gearboxes are compatible with all our vane air motors, available in stainless steel and with ATEX-Certification.

The following gearboxes are available for the GLOBE V10-NL Vane Air Motor:

Worm

Planetary

Coaxial

PFG

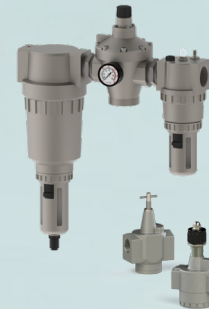
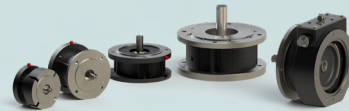
Brakes

The combination of motor with brake is widely used for winches, cranes and positioning devices. The ATEX approved brakes within the GLOBE program have a very compact built and are very robust. All brakes are built from cast iron or steel housings and are easy to install on our air motors and gearboxes.

BN100

Holding Torque	14 Nm / 13,3 lbs ft.
Release pressure	3,4 bar / 50 PSI
Flange type	71 B5
Mounting options	IEC, NEMA

ART. NR
A414BN100



Air quality & Air line components

FRL systems combine a shut off valve, filter, regulator and a lubricator in a ready to use set. It provides you with clean air and an efficient system that will extend the service life of air-powered tools and equipment. By using a speed control valve, you can set your air motor to a desired RPM without reducing its torque. It allows large airflows to pass while minimizing pressure loss at the same time.

1 1/4" FRL Unit

Port size	1 1/4 inch
Max. operating pressure	10 bar / 145 PSI
Housing material	Aluminium
Weight	1.41 KG / 3.11 lb

Speed regulator

Port size	1 1/4 inch
Port thread	NPT / BSP

Service Kits

Regular maintenance is important to ensure a long service life of your vane air motor. Our service kits are specifically designed for your vane air motor. One servicekit contains everything you need for a service maintenance. We recommend to always have at least one service kit available in case of unexpected maintenance.

ART. NR
799-910



Essential item!

1 1/4" Silencer

An air motor may produce noise that can be harmful to surrounding workers and/or cause noise problems in the application. The GLOBE Pneumatic air silencers are a simple and cost-effective solution to reduce noise levels and unwanted discharge of contaminants.

A GLOBE Silencer is required for optimal reach of maximum power. Choosing a GLOBE Silencer over other brands can prevent loss of power or motor malfunctions. The GLOBE silencers are designed specifically for our motors.

ART. NR
A31820007