

Miniature direct acting 2, 3-port solenoid valve

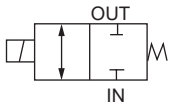
UMB1/UMG1 Series

- NC, universal
- Working fluid: Water/pure water
- Port size: O.D. $\phi 1.26 \times$ I.D. $\phi 0.9$
Stainless steel pipe

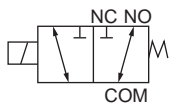


JIS symbol

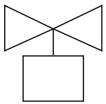
- UMB1 (2-port)
: NC



- UMG1 (3-port)
: Universal



Mounting orientation



Specifications

Item	UMB1	UMG1
Working fluid	Water/pure water	
Proof pressure MPa	0.6 (water pressure)	
Working pressure MPa	0 to 0.2	
Fluid temperature °C	5 to 55	
Ambient temperature °C	0 to 55	
Valve seat leakage cm ³ /min	0 (water pressure)	
Port size	Stainless steel pipe with O.D. $\phi 1.26 \times$ I.D. $\phi 0.9$	
Orifice size mm	0.9	
Cv	0.01	
Mounting orientation	Vertical direction with the coil down	
Weight kg	0.03	
Volumetric capacity $\mu\ell$	80 (*1)	
Response time ms	8 or less	
Electrical specifications		
Rated voltage	24 VDC/12 VDC	
Voltage fluctuation range	$\pm 10\%$	
Power consumption W	1.5	
Leakage current mA	0.4 or less (24VDC)/0.7 or less (12 VDC) (*2)	
Thermal class	Class 130 (B)	

*1: Volume of wetted parts formed by the body and main valving element. Note that piping volume is excluded.

*2: The leakage current from the control circuit must be equal to or less than the values shown in the table.

*3: Do not apply torque exceeding 0.3 N·m on the mounting bolt (M3).

*4: Make sure to read the safety precautions on pages 3 to 8 before use.

How to order

UMB1 - T1 - **DC12V**

Model No.

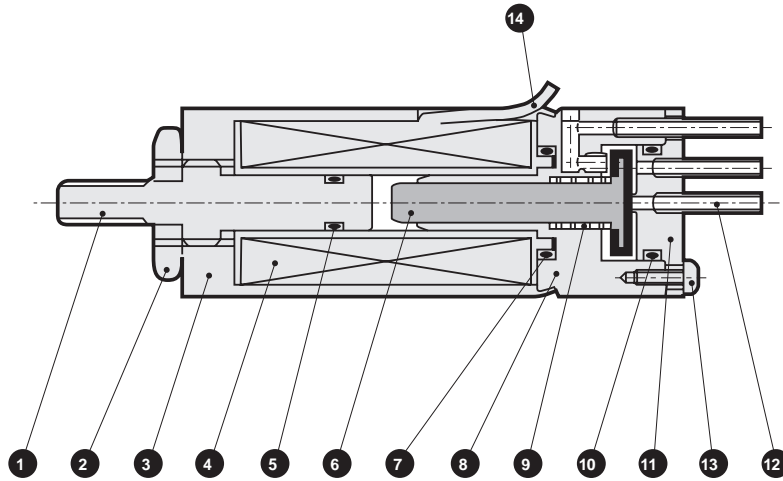
A No. of Ports

B Rated voltage

Code	Description
A No. of Ports	
B	2-port valve
G	3-port valve
B Rated voltage	
DC12V	12 VDC
DC24V	24 VDC

Internal structure and parts list

● UMG1-T1



Cannot be disassembled

Part No.	Part name	Material	Part No.	Part name	Material
1	Core A	SUS304 or equiv. Stainless steel	8	Body	SUS304 or equiv. Stainless steel
2	Hexagon nut	SWRM3 Steel	9	Spring	SUS304 Stainless steel
3	Bonnet	SUYB Iron	10	O-ring	FKM Fluoro rubber
4	Coil	- (Wetted parts: PBT) (Polybutylene terephthalate)	11	Cap	SUS304 or equiv. Stainless steel
5	O-ring	FKM Fluoro rubber	12	Connection pipe	SUS304 Stainless steel
6	Plunger	SUS304 or equiv., FKM Stainless steel, fluoro rubber	13	Cross-recessed pan head machine screw	SUS304 Stainless steel
7	O-ring	FKM Fluoro rubber	14	Lead wire	-

Dimensions



● UMB1-T1

● UMG1-T1

