

EXPLODED VIEW & PARTS LISTING

Air Operated Double Diaphragm pump

Model : NDP-80BP.

Yamada Europe B.V.



Material : PPG (Reinforced Polypropylene)



To Purchase:

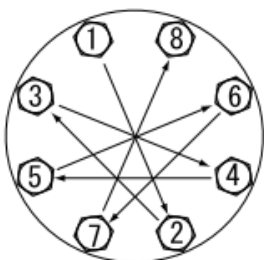
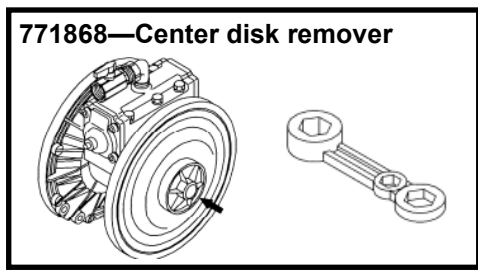
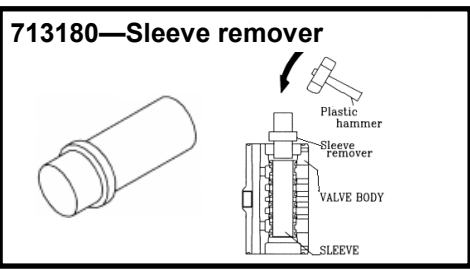
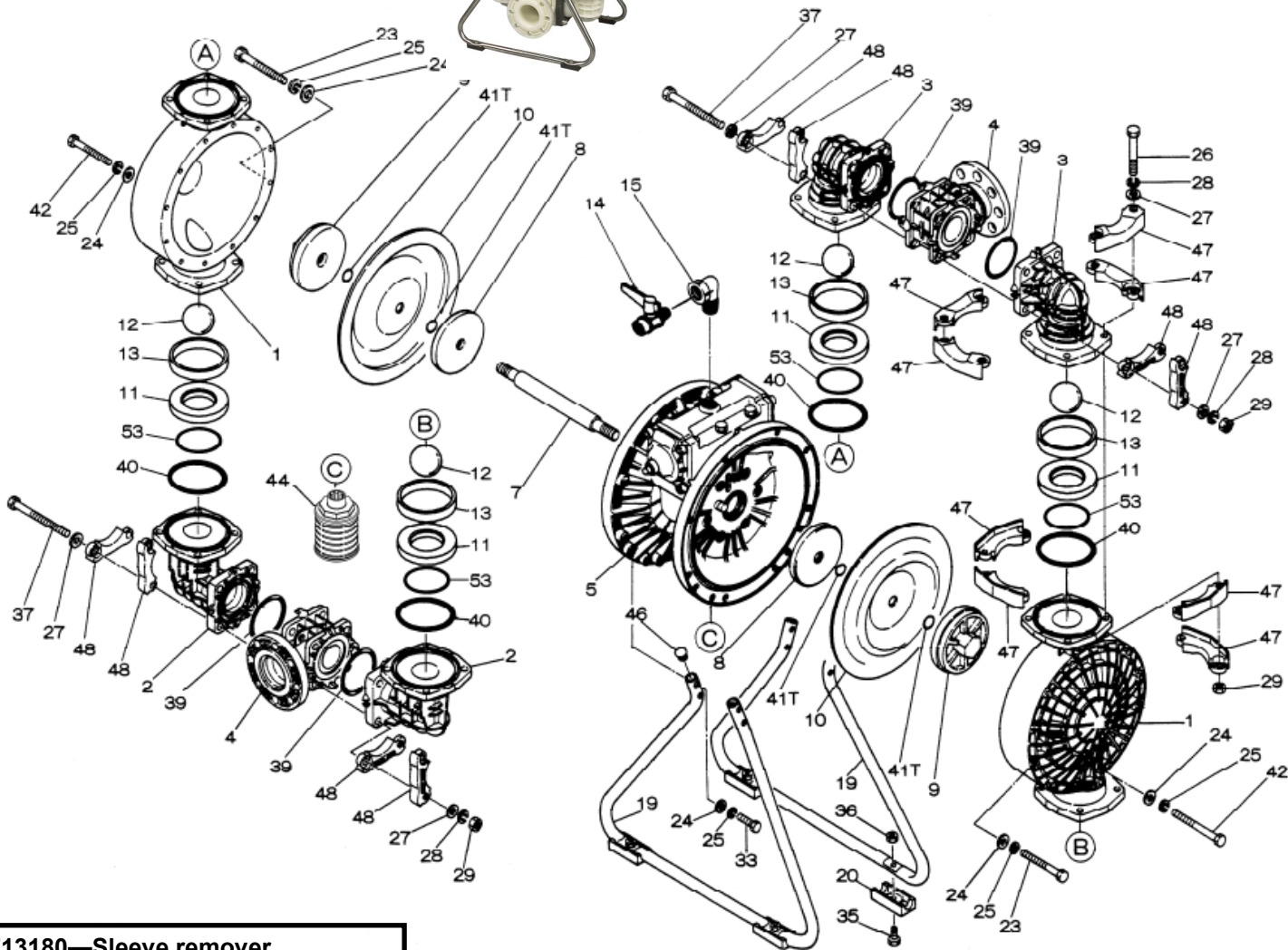
More information:

☎ 0031 (0)74 242 2032

▶ YouTube: [@yamadapump](https://www.youtube.com/@yamadapump)

✉ sales@yamada.nl

🌐 yamada-europe.com



Tighting torque for:

Center rod:	50 Nm
Center rod TU:	Hand tight
Out chamber:	35 Nm
Manifold:	25 Nm

Special tools (sold seperately)

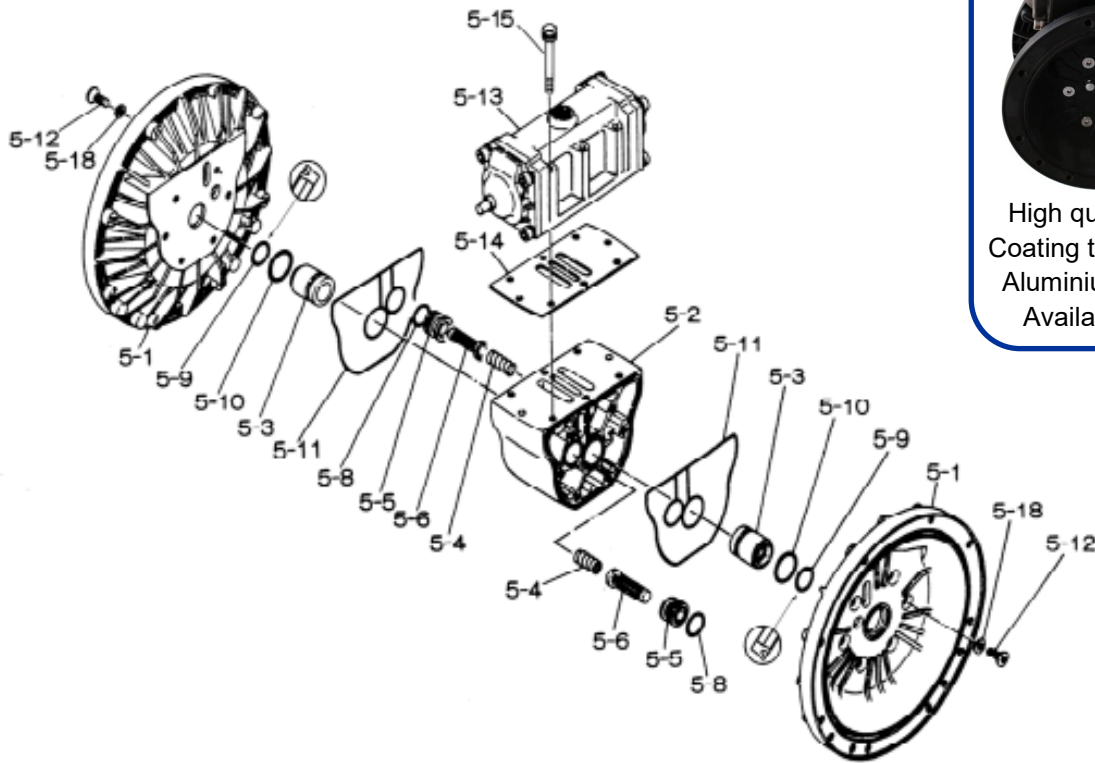
713180	Sleeve remover
771868	Center rod remover

Miscellaneous:

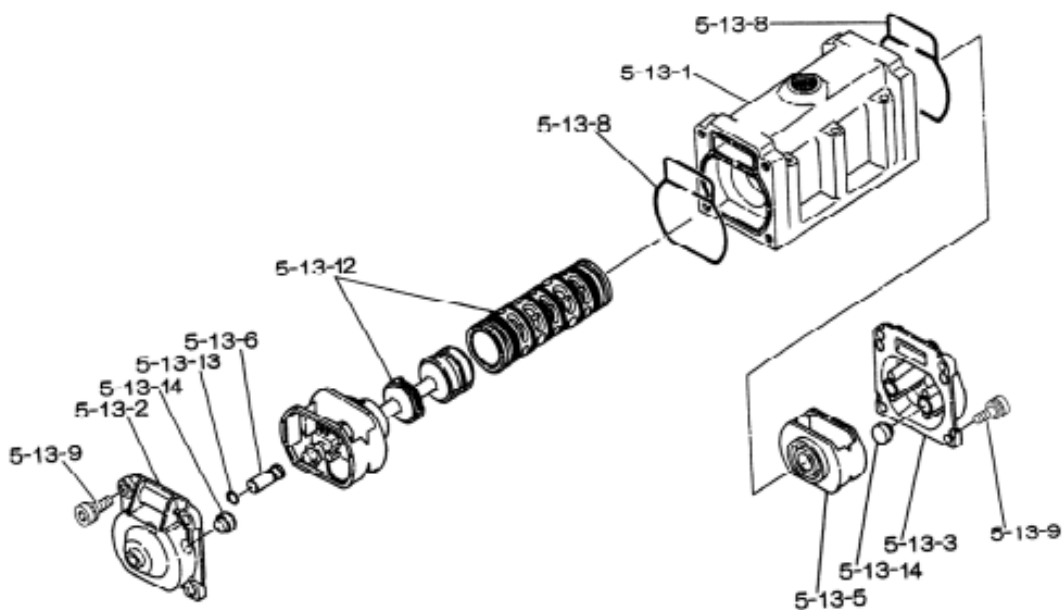
Assembly oil: use turbine oil none additional class 1
 Equiv. to ISO VGA32 grade
 Use Urea grease grade NLGI No. 2



Body Assembly



Valve Body Assembly



EXPLODED VIEW & PARTS LISTING

Model : NDP-80BP.

Yamada Europe B.V.



Air Operated Double Diaphragm pump

Material : PPG (Reinforced Polypropylene)



Diaphragm

Diessign #

REF.No.	DESCRIPTION	Q-TY.	Material								
			CR	NBR	EPDM	TPEE	TPO	FPM	PTFE	PTFE-EPDM	
			BPC	BPN	BPE	BPH	BPS	BPV	BPT	BPTU	
			852671	852344	852672	852345	852724	852318	852346	YE original	
Part No.	Part No.	Part No.	Part No.	Part No.	Part No.	Part No.	Part No.	Part No.	Part No.	Part No.	
1	OUT CHAMBER	2	780149	780149	780149	780149	780149	780149	780149	780149	780149
2	IN MANIFOLD	2	780246	780246	780246	780246	780246	780246	780246	780246	780246
3	OUT MANIFOLD	2	780152	780152	780152	780152	780152	780152	780152	780152	780152
4	CENTER MANIFOLD	2	780250	780250	780250	780250	780250	780250	780250	780250	780250
5	BODY ASSY	1	803123	803123	803123	803123	803123	803123	803123	803123	803123
5-1	AIR CHAMBER	2	711935	711935	711935	711935	711935	711935	711935	711935	711935
5-2	BODY	1	711947	711947	711947	711947	711947	711947	711947	711947	711947
*5-3	THROAT BEARING	2	772689	772689	772689	772689	772689	772689	772689	772689	772689
5-4	SPRING	2	711937	711937	711937	711937	711937	711937	711937	711937	711937
5-5	VALVE SEAT	2	771740	771740	771740	771740	771740	771740	771740	771740	771740
5-6	PILOT VALVE ASSY	2	832163	832163	832163	832163	832163	832163	832163	832163	832163
5-8	O RING	2	640020	640020	640020	640020	640020	640020	640020	640020	640020
5-9	PACKING	2	685444	685444	685444	685444	685444	685444	685444	685444	685444
5-10	O RING	2	640029	640029	640029	640029	640029	640029	640029	640029	640029
5-11	GASKET	2	771742	771742	771742	771742	771742	771742	771742	771742	771742
5-12	BOLT	12	683812	683812	683812	683812	683812	683812	683812	683812	683812
5-13	VALVE BODY ASSY	1	803120	803120	803120	803120	803120	803120	803120	803120	803120
5-13-1	VALVE BODY	1	711946	711946	711946	711946	711946	711946	711946	711946	711946
5-13-2	CAP A	1	580999	580999	580999	580999	580999	580999	580999	580999	580999
5-13-3	CAP B	1	581000	581000	581000	581000	581000	581000	581000	581000	581000
5-13-5	SPRING RETAINER	1	771735	771735	771735	771735	771735	771735	771735	771735	771735
5-13-6	RESET BUTTON	1	712976	712976	712976	712976	712976	712976	712976	712976	712976
5-13-8	GASKET	2	771738	771738	771738	771738	771738	771738	771738	771738	771738
5-13-9	BOLT	8	685036	685036	685036	685036	685036	685036	685036	685036	685036
5-13-12	C SPOOL ASSY	1	805084	805084	805084	805084	805084	805084	805084	805084	805084
5-13-13	O RING	1	640005	640005	640005	640005	640005	640005	640005	640005	640005
5-13-14	CUSHION	4	684128	684128	684128	684128	684128	684128	684128	684128	684128
5-14	GASKET	1	771712	771712	771712	771712	771712	771712	771712	771712	771712
5-15	BOLT & WASHER	6	684240	684240	684240	684240	684240	684240	684240	684240	684240
5-18	PLAIN WASHER	12	684987	684987	684987	684987	684987	684987	684987	684987	684987
7	CENTER ROD	1	711901	711901	711901	711901	711901	711901	711901	711940	717131
8	CENTER DISK	2	711906	711906	711906	711906	711906	711906	711906	711041	-
9	CENTER DISK	2	780064	780064	780064	780064	780064	780064	780064	771730	-
10	DIAPHRAGM	2	771857	771704	771858	771705	771977	771801	770934	770934	833231
11	VALVE SEAT	4	772098	772098	772098	772098	772098	772098	772098	772098	772098
12	BALL	4	770559	770587	770596	773144	773174	770605	770694	770694	770694
13	VALVE GUIDE	4	772099	772099	772099	772099	772099	772099	772099	772099	772099
14	VALVE	1	686973	686973	686973	686973	686973	686973	686973	686973	686973
15	ELBOW	1	634034	634034	634034	634034	634034	634034	634034	634034	634034
19	STAND	2	711927	711927	711927	711927	711927	711927	711927	711927	711927
20	RUBBER FOOT	4	771865	771865	771865	771865	771865	771865	771865	771865	771865
23	BOLT	20	683543	683543	683543	683543	683543	683543	683543	683543	683543
24	PLAIN WASHER	32	631330	631330	631330	631330	631330	631330	631330	631330	631330
25	SPRING WASHER	32	680257	680257	680257	680257	680257	680257	680257	680257	680257
26	BOLT	16	621213	621213	621213	621213	621213	621213	621213	621213	621213
27	PLAIN WASHER	32	631331	631331	631331	631331	631331	631331	631331	631331	631331
28	SPRING WASHER	24	680607	680607	680607	680607	680607	680607	680607	680607	680607
29	NUT	24	628014	628014	628014	628014	628014	628014	628014	628014	628014
33	BOLT	8	621179	621179	621179	621179	621179	621179	621179	621179	621179
35	BOLT	4	621149	621149	621149	621149	621149	621149	621149	621149	621149
36	FLANGED NUT	4	683837	683837	683837	683837	683837	683837	683837	683837	683837
37	BOLT	8	683544	683544	683544	683544	683544	683544	683544	683544	683544
39	O RING	4	640070	640070	684123	640070	684123	642070	643070	643070	643070
40	O RING	4	640080	640080	684125	640080	684125	642080	643080	643080	643080
41T	O RING	4	-	-	-	-	-	-	-	643015	-
42	BOLT	4	683552	683552	683552	683552	683552	683552	683552	683552	683552
44	MUFFLER	1	804764	804764	804764	804764	804764	804764	804764	804764	804764
46	CAP	4	683641	683641	683641	683641	683641	683641	683641	683641	683641
47	PROTECTOR A	32	771789	771789	771789	771789	771789	771789	771789	771789	771789
48	PROTECTOR B	16	771790	771790	771790	771790	771790	771790	771790	771790	771790
53	O RING	4	640143	640143	685443	640143	685443	642143	643143	643143	643143
KIT	DIAPHRAGM		K80D-PC	K80D-PN	K80D-PE	K80D-PH	K80D-PS	K80D-PV	K80D-PT	K80D-PTU	
KIT	VALVE		K80V-PC	K80V-PN	K80V-PE	K80V-PH	K80V-PS	K80V-PV	K80V-PT	K80V-PTU	
KIT	WET END REPAIR		K80-PC	K80-PN	K80-PE	K80-PH	K80-PS	K80-PV	K80-PT	K80-PTU	
KIT	AIR MOTOR										
KIT	AIR MOTOR SEAL										

! * Throat bearing position 5-3, 772689 is only available as an assembly. Positions 5-3, 5-9 and 5-10. Article code 020689

EXPLODED VIEW & PARTS LISTING

Air Operated Double Diaphragm pump



MODEL : NDP-80BP.

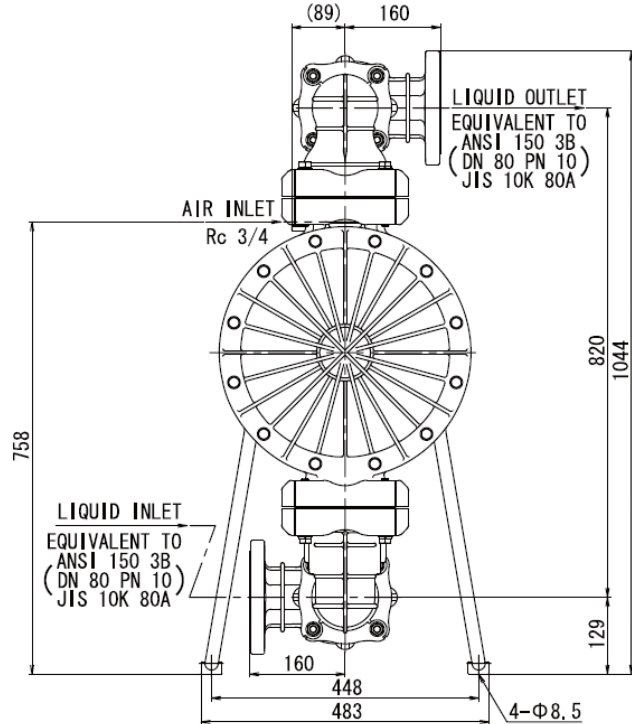
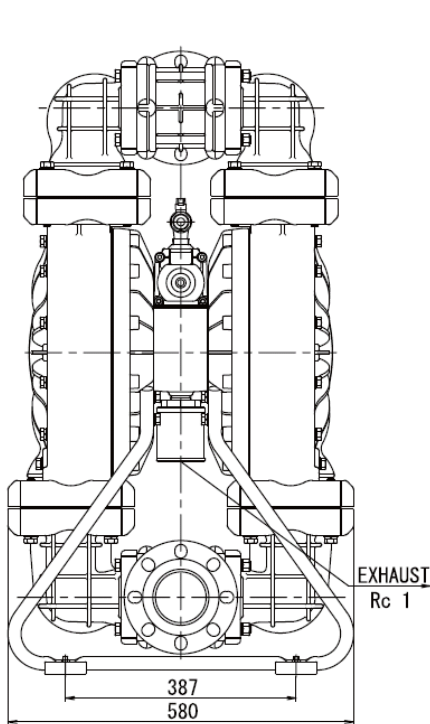
Model : NDP-80BP.

Yamada Europe B.V.



Material : PPG (Reinforced Polypropylene)

Diaphragm options	CR, EPDM, NBR, FPM, TPEE, TPO, PTFE, TU
Max performance	800 L/min (PTFE 580 L/min)
Manifold connection	Flange equivalent to DIN and ANSI + Inner Rc 3"
Net Weight	65,5 kg (PTFE 61,5 kg, TU 67,5 kg)



0,1MPa = 1Bar

