



Metal-free 2, 3-port solenoid valve

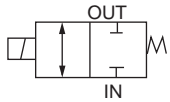
# MYB1/MYG1 Series

- NC, universal
- Working fluid: Water/pure water/chemical liquids
- Port size: M6

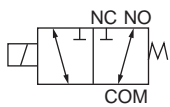


## JIS symbol

- MYB1 (2-port)  
: NC



- MYG1 (3-port)  
: Universal



## Specifications

Item	MYB1-M6	MYG1-M6				
Working fluid	Water/pure water/chemical liquids (fluids that do not corrode wetted part materials)					
Proof pressure MPa	0.3(water pressure)					
Working pressure MPa	Conditions	Fluid flow direction	Working pressure range of each port	Conditions	Fluid flow direction	Working pressure range of each port
			IN OUT			COM NC NO
	IN Positive pressure	IN→OUT	0 to 0.2 0 to 0.1	COM Positive pressure	COM→NO or NC	0 to 0.2 0 to 0.1 0 to 0.1
	OUT Positive pressure	OUT→IN	0 to 0.1 0 to 0.1	NC Positive pressure	NC→COM	0 to 0.1 0 to 0.1 0 to 0.1
IN Negative pressure	OUT→IN	-0.05 to 0 -0.05 to 0	NO Positive pressure	NO→COM	0 to 0.1 0 to 0.1 0 to 0.1	
			COM Negative pressure	NO or NC→COM	-0.05 to 0 -0.05 to 0 -0.05 to 0	
Fluid temperature °C	5 to 60					
Ambient temperature °C	0 to 50					
Atmosphere	No explosive or corrosive atmospheres					
Valve seat leakage cm <sup>3</sup> /min	0 (water pressure)					
Port size	M6					
Orifice size mm	2.0 or equiv.					
Cv	0.1					
Mounting orientation	Unrestricted					
Weight kg	0.14					
<b>Electrical specifications</b>						
Rated voltage	12 VDC/24 VDC/100 VAC(50/60Hz)					
Voltage fluctuation range	±10%					
Power consumption	AC	3.8				
	DC	3.0				
Leakage current mA	2 or less (12 VDC)/1 or less (24 VDC)/1.5 or less (100 VAC) (*1)					
Thermal class	Class 130 (B)					

\*1: The leakage current from the control circuit must be equal to or less than the values shown in the table.

\*2: Make sure to read the safety precautions on pages 3 to 8 before use.

## How to order

MY B 1 - M6 - DC12V

A No. of Ports

B Orifice size

C Port size

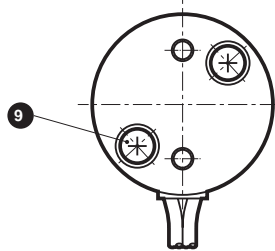
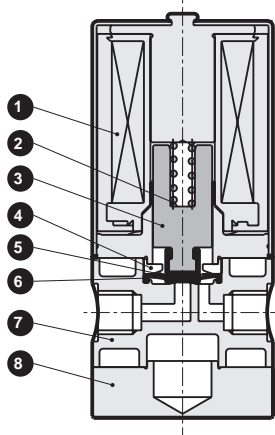
D Rated voltage

Code	Description
<b>A No. of Ports</b>	
B	2-port
G	3-port
<b>B Orifice size</b>	
1	ø2
<b>C Port size</b>	
M6	M6
<b>D Rated voltage</b>	
DC12V	12 VDC
DC24V	24 VDC
AC100V	100 VAC (50/60 Hz)

# MYB1/MYG1 Series

## Internal structure and parts list

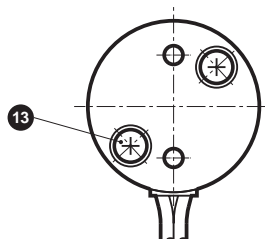
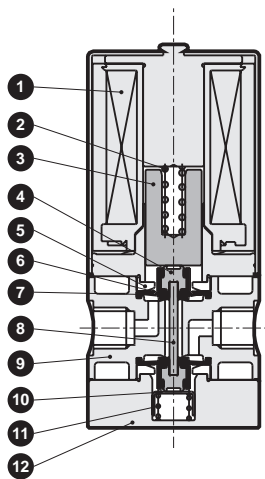
### ● MYB1-M6



**Cannot be disassembled**


Part No.	Part name	Material
1	Coil assembly	Class B molded coil
2	Spring	SUS304 Stainless steel
3	Plunger	SUS405 or equiv. Stainless steel
4	Diaphragm adaptor	PPS Polyphenylene sulfide
5	Protective sheet	PTFE Tetrafluoroethylene resin
6	Diaphragm	FKM Fluoro rubber
7	Body	PPS Polyphenylene sulfide
8	Mounting plate	SUS303 Stainless steel
9	Cross-recessed pan head machine screw with captive spring washer	SUSXM7 Stainless steel

### ● MYG1-M6

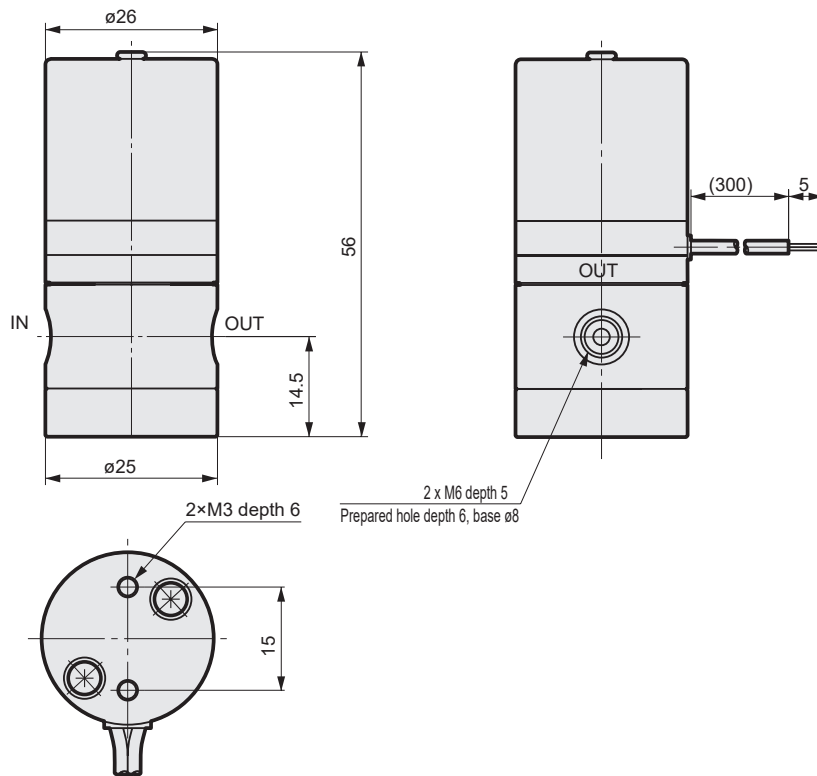


**Cannot be disassembled**

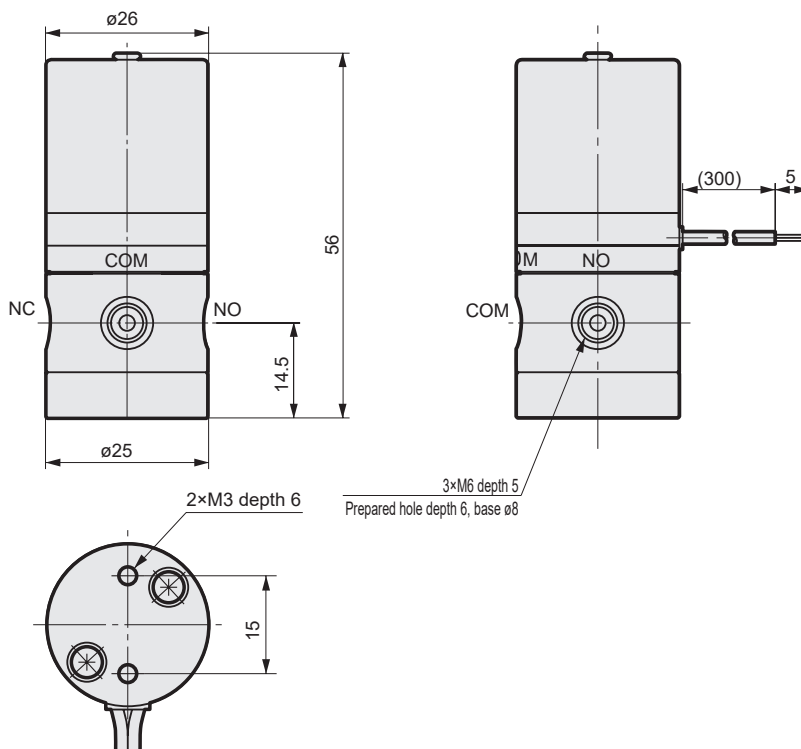
Part No.	Part name	Material
1	Coil assembly	Class B molded coil
2	Spring	SUS304 Stainless steel
3	Plunger	SUY Iron
4	Spacer	PPS Polyphenylene sulfide
5	Diaphragm adaptor	PPS Polyphenylene sulfide
6	Protective sheet	PTFE Tetrafluoroethylene resin
7	Diaphragm	FKM Fluoro rubber
8	Rod	Ceramic
9	Body	PPS Polyphenylene sulfide
10	Spring holder	SUS304 Stainless steel
11	Spring	SUS304 Stainless steel
12	Mounting plate	SUS303 Stainless steel
13	Cross-recessed pan head machine screw with captive spring washer	SUSXM7 Stainless steel

Dimensions 

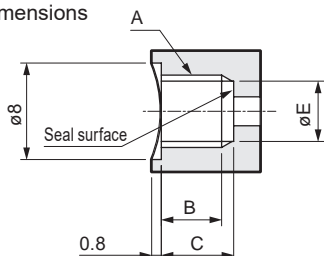
● MYB1-M6



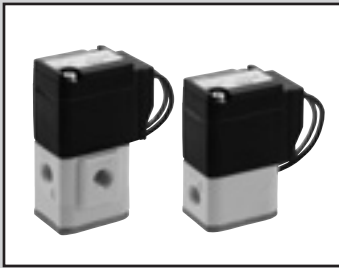
● MYG1-M6



● Port size dimensions



Model No.	A	B	C	E
MYB1	M6	5	6	4.9
MYG1	M6	5	6	4.9



Metal-free 2, 3-port solenoid valve

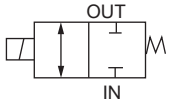
# MYB2/MYG2 Series

- NC, universal
- Working fluid: Water/pure water/chemical liquids
- Port size: Rc1/8

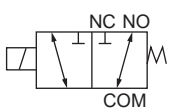


## JIS symbol

- MYB2 (2-port)  
: NC



- MYG2 (3-port)  
: Universal



## Specifications

Item	MYB2-6	MYG2-6			
Working fluid	Water/pure water/chemical liquids (fluids that do not corrode wetted part materials)				
Proof pressure MPa	0.3 (water pressure)				
Working pressure MPa	Conditions	Fluid flow direction	Working pressure of each port (MPa)		
			IN	OUT	
	IN Positive pressure	IN→OUT	0 to 0.2	0 to 0.1	
	OUT Positive pressure	OUT→IN	0 to 0.1	0 to 0.1	
	IN Negative pressure	OUT→IN	-0.05 to 0	-0.05 to 0	
	Conditions	Fluid flow direction	Working pressure of each port (MPa)		
			COM	NC	NO
	COM Positive pressure	COM→NO or NC	0 to 0.2	0 to 0.1	0 to 0.1
	NC Positive pressure	NC→COM	0 to 0.1	0 to 0.1	0 to 0.1
	NO Positive pressure	NO→COM	0 to 0.1	0 to 0.1	0 to 0.1
	COM Negative pressure	NO or NC→COM	-0.05 to 0	-0.05 to 0	-0.05 to 0
Fluid temperature °C	5 to 60				
Ambient temperature °C	0 to 50				
Atmosphere	No explosive or corrosive atmospheres				
Valve seat leakage cm <sup>3</sup> /min	0 (water pressure)				
Port size	Rc1/8				
Orifice size mm	3.0 or equiv.				
Cv	0.18				
Mounting orientation	Unrestricted				
Weight kg	0.22	0.24			
<b>Electrical specifications</b>					
Rated voltage	24 VDC, 100 VAC(50/60Hz)				
Voltage fluctuation range	±10%				
Power consumption W	5.5				
Starting current A	1 or less				
Leakage current mA	24 VDC: 1 or less, 100 VAC: 6 or less (*1)				
Thermal class	Class 130 (B)				

\*1: The leakage current from the control circuit must be equal to or less than the values shown in the table.

\*2: As this product generates noise from incorporating electronic oscillator circuits, use noise countermeasures on the same power line.

\*3: After the solenoid valve is completely switched OFF, set an interval of 0.5 seconds or more before switching it ON the next time.

\*4: Make sure to read the safety precautions on pages 3 to 8 before use.

## How to order

MY B 2 - 6 - DC24V

A No. of Ports

B Orifice size

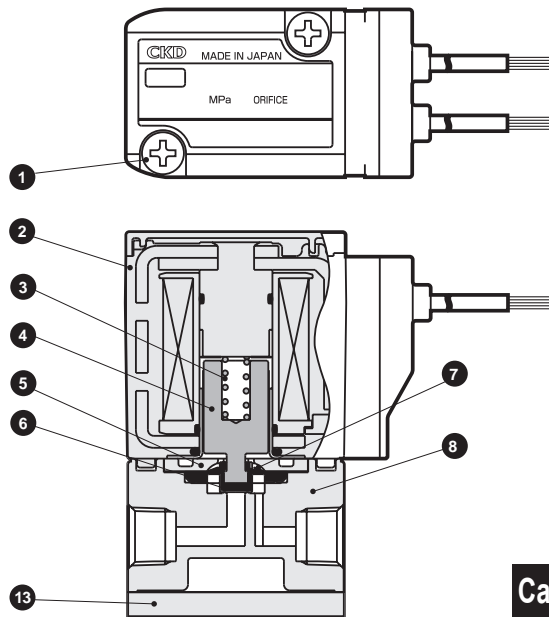
C Port size

D Rated voltage

Code	Description
<b>A No. of Ports</b>	
B	2-port
G	3-port
<b>B Orifice size</b>	
2	ø3
<b>C Port size</b>	
6	Rc1/8
<b>D Rated voltage</b>	
DC24V	24 VDC
AC100V	100 VAC (50/60 Hz)

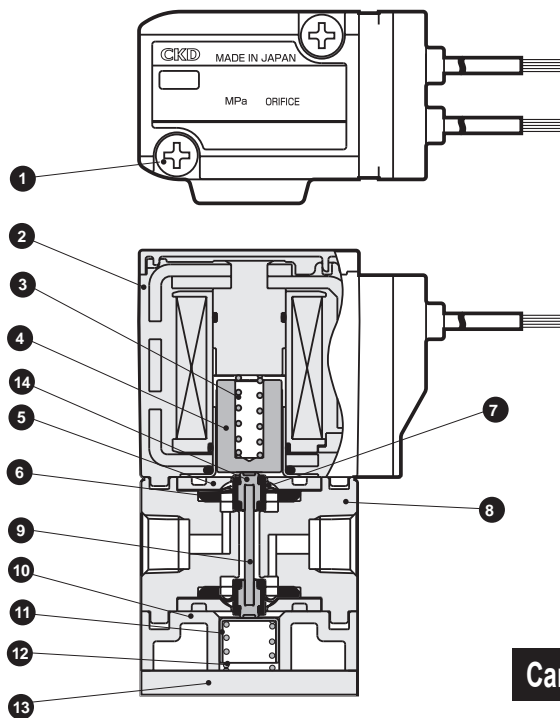
## Internal structure and parts list

### ● MYB2 (2-port valve)



**Cannot be disassembled**

### ● MYG2 (3-port valve)



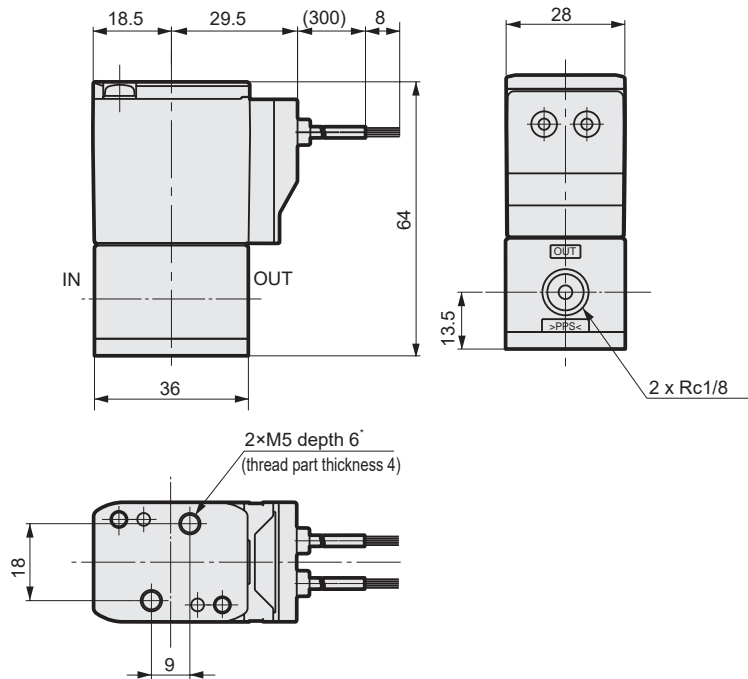
**Cannot be disassembled**

Part No.	Part name	Material	Part No.	Part name	Material
1	Cross-recessed pan head machine screw	SUSXM7 ; Stainless steel	8	Body	PPS ; Polyphenylene sulfide
2	Coil assembly	Class B molded coil	9	Rod	Ceramic
3	Spring	SUS304 ; Stainless steel	10	Base	PPS ; Polyphenylene sulfide
4	Plunger	SUS405 or equiv. ; Stainless steel	11	Spring holder	SUS304 ; Stainless steel
5	Diaphragm adaptor	PPS ; Polyphenylene sulfide	12	Spring	SUS304 ; Stainless steel
6	Diaphragm	FKM ; Fluoro rubber	13	Mounting plate	SUS304 ; Stainless steel
7	Protective sheet	PTFE ; Tetrafluoroethylene resin	14	Cap	PPS ; Polyphenylene sulfide

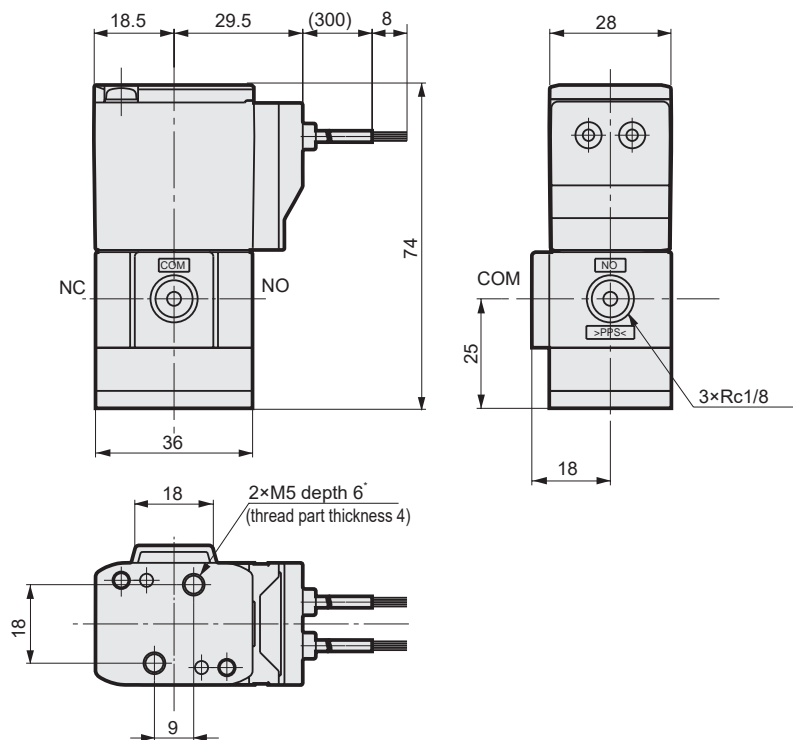
# MYB2/MYG2 Series

## Dimensions

### ● MYB2 (2-port valve)



### ● MYG2 (3-port valve)

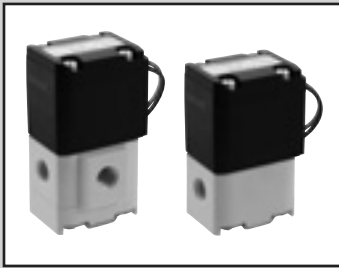


\*When the mounting 2xM5 is 6 mm or more from the bottom of the mounting plate, the screws will fit into the body or base and may cause cracks. Make sure that the length of the fitting is 6 mm or less from the bottom of the mounting plate.

---

MEMO

---



Metal-free 2, 3-port solenoid valve

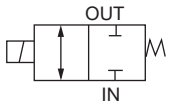
# MYB3/MYG3 Series

- NC, universal
- Working fluid: Water/pure water/chemical liquids
- Port size: Rc1/8, Rc1/4, Rc3/8

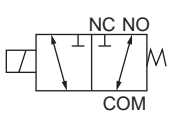


## JIS symbol

- MYB3 (2-port)  
: NC



- MYG3 (3-port)  
: Universal



## Specifications

Item	MYB3	MYG3			
Working fluid	Water/pure water/chemical liquids (fluids that do not corrode wetted part materials)				
Proof pressure MPa	0.3(water pressure)				
Working pressure MPa	Conditions	Fluid flow direction	Working pressure range of each port		
			IN	OUT	
	IN Positive pressure	IN→OUT	0 to 0.2	0 to 0.1	
	OUT Positive pressure	OUT→IN	0 to 0.1	0 to 0.1	
	IN Negative pressure	OUT→IN	-0.05 to 0	-0.05 to 0	
	Conditions	Fluid flow direction	Working pressure range of each port		
			COM	NC	NO
	COM Positive pressure	COM→NO or NC	0 to 0.2	0 to 0.1	0 to 0.1
	NC Positive pressure	NC→COM	0 to 0.1	0 to 0.1	0 to 0.1
	NO Positive pressure	NO→COM	0 to 0.1	0 to 0.1	0 to 0.1
	COM Negative pressure	NO or NC→COM	-0.05 to 0	-0.05 to 0	-0.05 to 0
Fluid temperature °C	5 to 60				
Ambient temperature °C	0 to 50				
Atmosphere	No explosive or corrosive atmospheres				
Valve seat leakage cm <sup>3</sup> /min	0 (water pressure)				
Port size	Rc1/8, Rc1/4, Rc3/8				
Orifice size mm	5.0 or equiv.				
Cv	0.5				
Mounting orientation	Unrestricted				
Weight kg	0.55	0.6			
<b>Electrical specifications</b>					
Rated voltage	12 VDC/24 VDC/100 VAC(50/60Hz)				
Voltage fluctuation range	±10%				
Power consumption W	AC	11			
	DC	11.5			
Leakage current mA	2 or less (12 VDC)/1 or less (24 VDC)/2 or less (100 VAC) (*1)				
Thermal class	Class 130 (B)				

\*1: The leakage current from the control circuit must be equal to or less than the values shown in the table.

\*2: Make sure to read the safety precautions on pages 3 to 8 before use.

## How to order

MY B 3 - 6 - DC12V

A No. of Ports

B Orifice size

C Port size

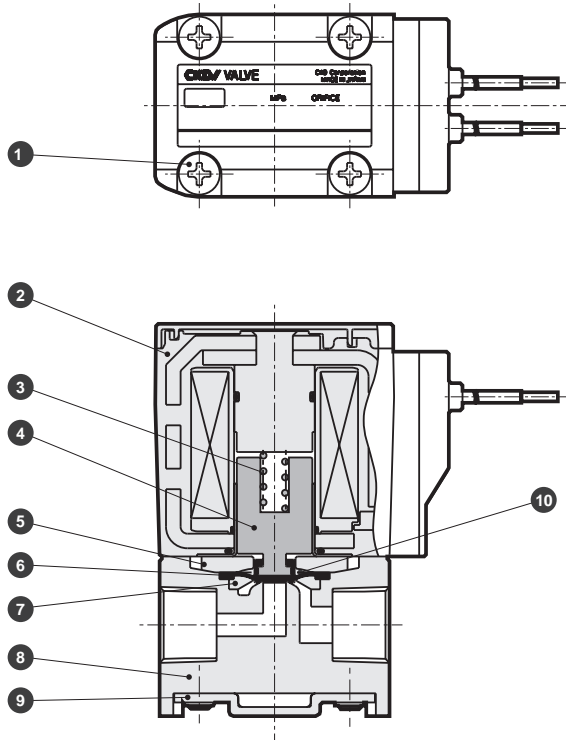
D Rated voltage

Code	Description
<b>A No. of Ports</b>	
B	2-port
G	3-port
<b>B Orifice size</b>	
3	ø5
<b>C Port size</b>	
6	Rc1/8
8	Rc1/4
10	Rc3/8
<b>D Rated voltage</b>	
DC12V	12 VDC
DC24V	24 VDC
AC100V	100 VAC (50/60 Hz)



## Internal structure and parts list

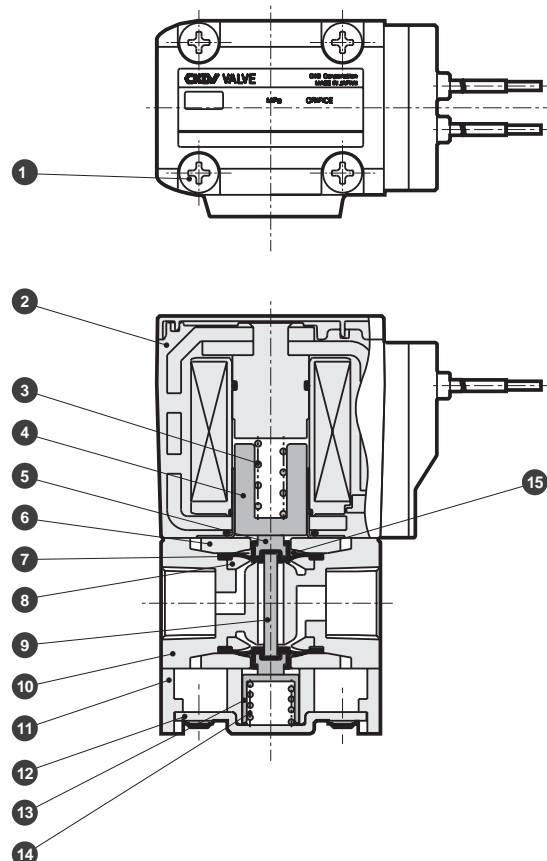
### ● MYB3



**Cannot be disassembled**

Part No.	Part name	Material
1	Cross-recessed pan head machine screw	SUSXM7 : Stainless steel
2	Coil assembly	Class B molded coil
3	Spring	SUS304 : Stainless steel
4	Plunger	SUS405 or equiv. : Stainless steel
5	Diaphragm adaptor	PPS : Polyphenylene sulfide
6	Diaphragm	FKM : Fluoro rubber
7	Diaphragm adaptor	PPS : Polyphenylene sulfide
8	Body	PPS : Polyphenylene sulfide
9	Mounting plate	SUS304 : Stainless steel
10	Protective sheet	PTFE : Tetrafluoroethylene resin

### ● MYG3



**Cannot be disassembled**

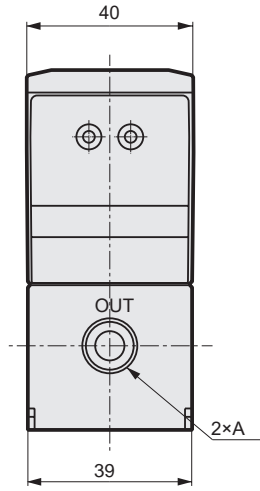
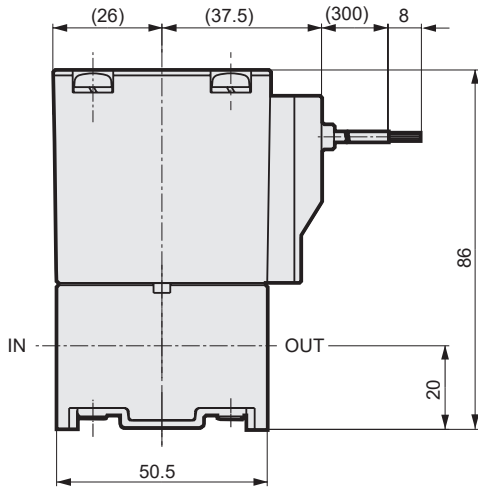
Part No.	Part name	Material
1	Cross-recessed pan head machine screw	SUSXM7 : Stainless steel
2	Coil assembly	Class B molded coil
3	Spring	SUS304 : Stainless steel
4	Plunger	SUS405 or equiv. : Stainless steel
5	Spacer	PPS : Polyphenylene sulfide
6	Diaphragm adaptor	PPS : Polyphenylene sulfide
7	Diaphragm	FKM : Fluoro rubber
8	Diaphragm adaptor	PPS : Polyphenylene sulfide
9	Rod	Ceramic
10	Body	PPS : Polyphenylene sulfide
11	Base	PPS : Polyphenylene sulfide
12	Mounting plate	SUS304 : Stainless steel
13	Spring holder	SUS304 : Stainless steel
14	Spring	SUS304 : Stainless steel
15	Protective sheet	PTFE : Tetrafluoroethylene resin

# MYB3/MYG3 Series

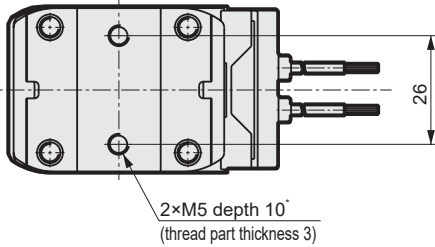
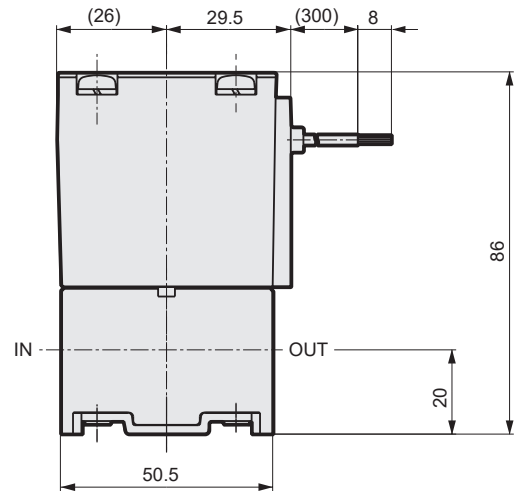
## Dimensions



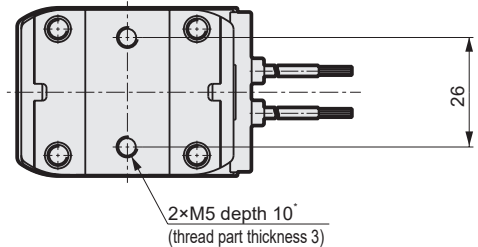
### ● MYB3 [For AC]



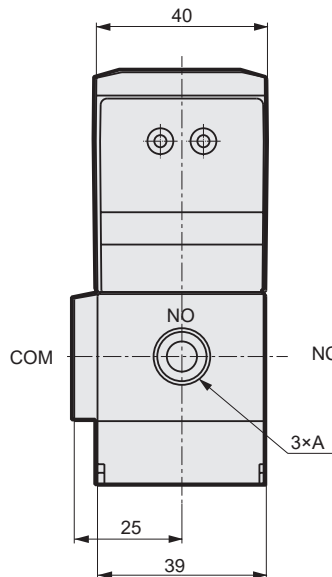
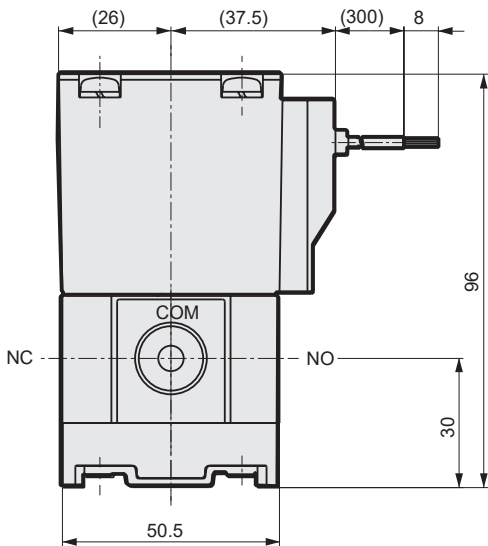
### [For DC]



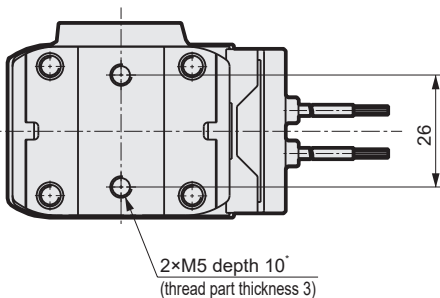
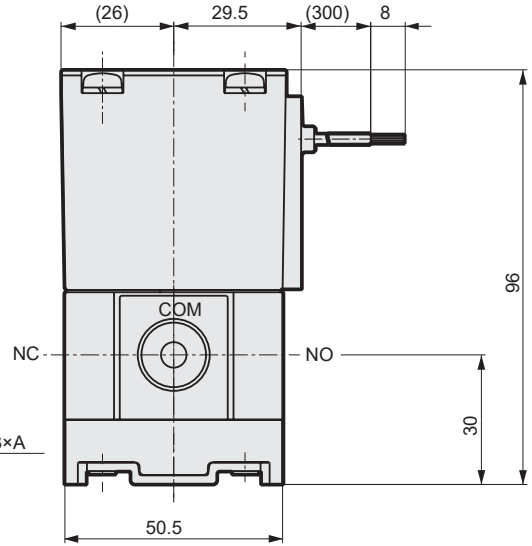
Model No.	A
MYB3-6	Rc1/8
MYB3-8	Rc1/4
MYB3-10	Rc3/8



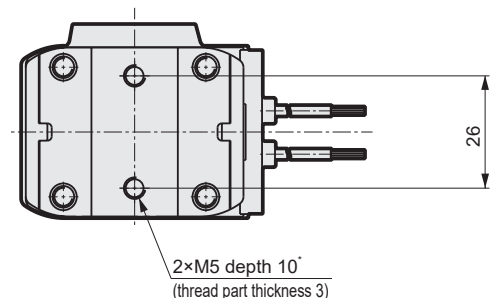
### ● MYG3 [For AC]



### [For DC]



Model No.	A
MYG3-6	Rc1/8
MYG3-8	Rc1/4
MYG3-10	Rc3/8



\*When the mounting 2×M5 is 6 mm or more from the bottom of the mounting plate, the screws will fit into the body or base and may cause cracks. Make sure that the length of the fitting is 6 mm or less from the bottom of the mounting plate.