

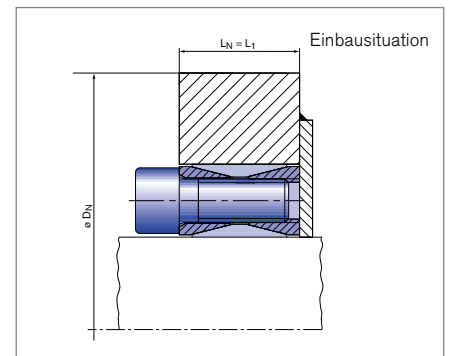
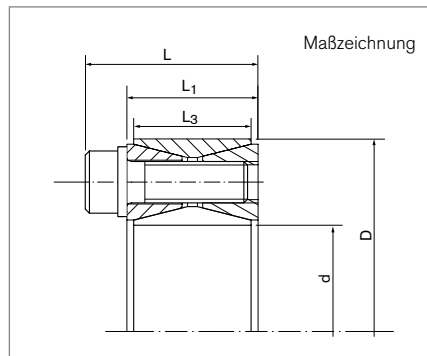
# Spannsätze für Biegemomente

## RINGFEDER® RfN 7012 M<sub>b</sub> 80%

### Extreme Belastungen in Bandtrommeln



selbstzentrierend    ohne Axialverschiebung    niedrige Flächenpressung



| Abmessungen Spannsätze |       | Spannschrauben ISO 4762-12.9 |                |                   | T              | PW                | PN             | M <sub>b</sub> 80% | T <sub>res</sub>       | PW <sub>max</sub>      | PN <sub>max</sub>      | PW <sub>min</sub>      | PN <sub>min</sub>      | F <sub>ax</sub>        | D <sub>N min</sub> bei R <sub>P0,2</sub> |        |        | Gw    |
|------------------------|-------|------------------------------|----------------|-------------------|----------------|-------------------|----------------|--------------------|------------------------|------------------------|------------------------|------------------------|------------------------|------------------------|--|--------|--------|-------|
| d                      | x D   | n <sub>Sc</sub>              | D <sub>G</sub> | T <sub>Ared</sub> | M <sub>b</sub> | M <sub>b</sub>    | M <sub>b</sub> | M <sub>b</sub> 80% | bei M <sub>b</sub> 80% | bei M <sub>b</sub> 80% | bei M <sub>b</sub> 80% | bei M <sub>b</sub> 80% | bei M <sub>b</sub> 80% | bei M <sub>b</sub> 80% | 250                                      | 350    | 450    |       |
| mm                     | mm    |                              | mm             | Nm                | Nm             | N/mm <sup>2</sup> |                | Nm                 |                        | N/mm <sup>2</sup>      |                        |                        | kN                     | mm                     |  |        | kg     |       |
| 50                     | x 80  | 12                           | 8 x 22         | 35                | 1777           | 189               | 118            | 1400               | 1094                   | 289                    | 180                    | 89                     | 55                     | 44                     | 200                                      | 142    | 123    | 0,6   |
| 55                     | x 85  | 14                           | 8 x 22         | 35                | 2267           | 199               | 129            | 910                | 2077                   | 258                    | 167                    | 140                    | 90                     | 76                     | 191                                      | 144    | 126    | 0,63  |
| 60                     | x 90  | 14                           | 8 x 22         | 35                | 2460           | 181               | 121            | 1520               | 1934                   | 272                    | 181                    | 91                     | 61                     | 64                     | 226                                      | 161    | 139    | 0,69  |
| 65                     | x 95  | 16                           | 8 x 22         | 35                | 3030           | 190               | 130            | 1040               | 2846                   | 247                    | 169                    | 133                    | 91                     | 88                     | 218                                      | 162    | 142    | 0,73  |
| 70                     | x 110 | 14                           | 10 x 25        | 70                | 4581           | 207               | 132            | 2520               | 3826                   | 300                    | 191                    | 113                    | 72                     | 109                    | 302                                      | 204    | 174    | 1,26  |
| 75                     | x 115 | 14                           | 10 x 25        | 70                | 4887           | 192               | 125            | 2520               | 4187                   | 280                    | 182                    | 105                    | 68                     | 112                    | 291                                      | 205    | 177    | 1,33  |
| 80                     | x 120 | 14                           | 10 x 25        | 70                | 5192           | 179               | 120            | 3380               | 3941                   | 289                    | 193                    | 69                     | 46                     | 99                     | 335                                      | 224    | 190    | 1,4   |
| 85                     | x 125 | 16                           | 10 x 25        | 70                | 6281           | 192               | 131            | 2300               | 5845                   | 263                    | 179                    | 122                    | 83                     | 138                    | 308                                      | 220    | 191    | 1,49  |
| 90                     | x 130 | 16                           | 10 x 25        | 70                | 6627           | 182               | 125            | 3140               | 5836                   | 272                    | 188                    | 90                     | 62                     | 130                    | 346                                      | 237    | 203    | 1,53  |
| 95                     | x 135 | 18                           | 10 x 25        | 70                | 7843           | 192               | 135            | 2062               | 7567                   | 249                    | 175                    | 136                    | 95                     | 159                    | 322                                      | 234    | 204    | 1,62  |
| 100                    | x 145 | 14                           | 12 x 30        | 125               | 9591           | 196               | 135            | 5768               | 7663                   | 304                    | 210                    | 87                     | 60                     | 153                    | ---                                      | 289,66 | 240,28 | 2,01  |
| 110                    | x 155 | 14                           | 12 x 30        | 125               | 10488          | 177               | 126            | 6272               | 8405                   | 284                    | 202                    | 70                     | 49                     | 153                    | ---                                      | 277    | 239    | 2,15  |
| 120                    | x 165 | 16                           | 12 x 30        | 125               | 13004          | 184               | 134            | 7168               | 10851                  | 297                    | 216                    | 72                     | 52                     | 181                    | ---                                      | 340    | 279    | 2,35  |
| 130                    | x 180 | 20                           | 12 x 35        | 125               | 17522          | 162               | 117            | 9048               | 15005                  | 261                    | 188                    | 63                     | 45                     | 231                    | ---                                      | 329    | 282    | 3,51  |
| 140                    | x 190 | 22                           | 12 x 35        | 125               | 20661          | 164               | 121            | 8128               | 18995                  | 247                    | 182                    | 82                     | 60                     | 271                    | ---                                      | 339    | 293    | 3,85  |
| 150                    | x 200 | 24                           | 12 x 35        | 125               | 24046          | 167               | 125            | 7216               | 22937                  | 235                    | 176                    | 98                     | 74                     | 306                    | 482                                      | 349    | 304    | 4,07  |
| 160                    | x 210 | 26                           | 12 x 35        | 125               | 27674          | 169               | 129            | 6296               | 26949                  | 225                    | 171                    | 113                    | 86                     | 337                    | 486                                      | 359    | 314    | 4,3   |
| 170                    | x 225 | 22                           | 14 x 40        | 190               | 32486          | 157               | 119            | 17256              | 27524                  | 265                    | 200                    | 49                     | 37                     | 324                    | ---                                      | 432    | 364    | 5,78  |
| 180                    | x 235 | 24                           | 14 x 40        | 190               | 37391          | 161               | 123            | 15168              | 34176                  | 250                    | 192                    | 72                     | 55                     | 380                    | ---                                      | 436    | 372    | 6,05  |
| 190                    | x 250 | 28                           | 14 x 45        | 190               | 45890          | 147               | 111            | 19256              | 41655                  | 223                    | 169                    | 70                     | 53                     | 438                    | 571                                      | 425    | 372    | 8,25  |
| 200                    | x 260 | 30                           | 14 x 45        | 190               | 51590          | 149               | 114            | 16920              | 48737                  | 212                    | 163                    | 85                     | 65                     | 487                    | 569                                      | 432    | 381    | 8,65  |
| 220                    | x 285 | 26                           | 16 x 50        | 295               | 66374          | 146               | 112            | 26136              | 61011                  | 223                    | 172                    | 68                     | 53                     | 555                    | 664                                      | 489    | 427    | 11,22 |
| 240                    | x 305 | 30                           | 16 x 50        | 295               | 83094          | 153               | 120            | 16264              | 81487                  | 197                    | 155                    | 109                    | 86                     | 679                    | 631                                      | 492    | 438    | 12,2  |
| 260                    | x 325 | 34                           | 16 x 50        | 295               | 101512         | 159               | 127            | 13448              | 100618                 | 193                    | 154                    | 126                    | 101                    | 774                    | 669                                      | 523    | 466    | 13,2  |

Fortsetzung auf nächster Seite

Spannsätze für Biegemomente RINGFEDER® RfN 7012 M<sub>b</sub> 80%

| Abmessungen Spannsätze |    |      | Spannschrauben ISO 4762-12.9 |                |                   | T              | P <sub>w</sub>    | P <sub>N</sub> | M <sub>b</sub> 80% | T <sub>res</sub>   | P <sub>w</sub> max | P <sub>N</sub> max | P <sub>w</sub> min | P <sub>N</sub> min | F <sub>ax</sub> | D <sub>N</sub> min bei R <sub>p0,2</sub> |      |                      | G <sub>w</sub> |
|------------------------|----|------|------------------------------|----------------|-------------------|----------------|-------------------|----------------|--------------------|--------------------|--------------------|--------------------|--------------------|--------------------|-----------------|--|------|----------------------|----------------|
| d                      | x  | D    | Gewinde                      |                |                   | ohne           | ohne              | ohne           | M <sub>b</sub> 80% | bei                | bei                | bei                | bei                | bei                | 250             | 350                                      | 450  | [N/mm <sup>2</sup> ] |                |
|                        |    |      | n <sub>Sc</sub>              | D <sub>G</sub> | T <sub>Ared</sub> | M <sub>b</sub> | M <sub>b</sub>    | M <sub>b</sub> |                    | M <sub>b</sub> 80% | M <sub>b</sub> 80% | M <sub>b</sub> 80% | M <sub>b</sub> 80% | M <sub>b</sub> 80% |                 |  |      |                      |                |
| mm                     | mm | mm   | Nm                           | Nm             | N/mm <sup>2</sup> | Nm             | N/mm <sup>2</sup> | Nm             | N/mm <sup>2</sup>  | N/mm <sup>2</sup>  | N/mm <sup>2</sup>  | N/mm <sup>2</sup>  | N/mm <sup>2</sup>  | kN                 | mm              | mm                                       | mm   |                      | kg             |
| 280                    | x  | 355  | 32                           | 18 x 60        | 405               | 124233         | 140               | 111            | 30752              | 120367             | 191                | 151                | 89                 | 70                 | 860             | 715                                      | 564  | 504                  | 19,2           |
| 300                    | x  | 375  | 36                           | 18 x 60        | 405               | 149101         | 146               | 117            | 19856              | 147773             | 177                | 142                | 116                | 93                 | 985             | 715                                      | 577  | 521                  | 20,5           |
| 320                    | x  | 405  | 36                           | 20 x 70        | 580               | 207104         | 149               | 118            | 29776              | 204952             | 180                | 142                | 118                | 93                 | 1281            | 774                                      | 624  | 563                  | 29,6           |
| 340                    | x  | 425  | 36                           | 20 x 70        | 580               | 219216         | 140               | 112            | 46336              | 214263             | 185                | 148                | 94                 | 75                 | 1260            | 841                                      | 669  | 599                  | 31,1           |
| 360                    | x  | 455  | 36                           | 22 x 80        | 780               | 282418         | 138               | 109            | 59704              | 276035             | 179                | 142                | 96                 | 76                 | 1534            | 866                                      | 700  | 631                  | 42,2           |
| 380                    | x  | 475  | 36                           | 22 x 80        | 780               | 297102         | 130               | 104            | 69600              | 288835             | 176                | 141                | 84                 | 67                 | 1520            | 898                                      | 728  | 657                  | 44             |
| 400                    | x  | 495  | 36                           | 22 x 80        | 780               | 311738         | 123               | 99             | 120368             | 287562             | 198                | 160                | 48                 | 39                 | 1438            | 1059                                     | 813  | 719                  | 46             |
| 420                    | x  | 515  | 40                           | 22 x 80        | 780               | 362587         | 130               | 106            | 74864              | 354774             | 174                | 142                | 85                 | 70                 | 1689            | 983                                      | 794  | 715                  | 50             |
| 440                    | x  | 545  | 40                           | 24 x 90        | 1000              | 442836         | 126               | 102            | 90512              | 433487             | 166                | 134                | 86                 | 70                 | 1970            | 994                                      | 818  | 742                  | 64,6           |
| 460                    | x  | 565  | 40                           | 24 x 90        | 1000              | 461680         | 121               | 98             | 141864             | 439344             | 180                | 147                | 61                 | 49                 | 1910            | 1110                                     | 885  | 794                  | 67,4           |
| 480                    | x  | 585  | 42                           | 24 x 90        | 1000              | 504497         | 121               | 99             | 134512             | 486234             | 175                | 144                | 67                 | 55                 | 2026            | 1128                                     | 907  | 816                  | 71             |
| 500                    | x  | 605  | 44                           | 24 x 90        | 1000              | 549139         | 121               | 100            | 127168             | 534212             | 171                | 141                | 72                 | 60                 | 2137            | 1148                                     | 929  | 838                  | 72,6           |
| 520                    | x  | 630  | 45                           | 24 x 90        | 1000              | 582655         | 119               | 98             | 155584             | 561498             | 177                | 146                | 61                 | 50                 | 2160            | 1232                                     | 984  | 884                  | 80             |
| 540                    | x  | 650  | 45                           | 24 x 90        | 1000              | 603639         | 114               | 95             | 206936             | 567060             | 189                | 157                | 40                 | 33                 | 2100            | 1359                                     | 1054 | 936                  | 82             |
| 560                    | x  | 670  | 48                           | 24 x 90        | 1000              | 666213         | 117               | 98             | 170240             | 644095             | 176                | 147                | 58                 | 49                 | 2300            | 1320                                     | 1051 | 942                  | 85             |
| 580                    | x  | 690  | 50                           | 24 x 90        | 1000              | 717182         | 118               | 99             | 162888             | 698439             | 172                | 145                | 63                 | 53                 | 2408            | 1338                                     | 1073 | 964                  | 88             |
| 600                    | x  | 710  | 50                           | 24 x 90        | 1000              | 740342         | 114               | 96             | 214239             | 708666             | 183                | 155                | 44                 | 37                 | 2362            | 1463                                     | 1142 | 1017                 | 91             |
| 620                    | x  | 730  | 52                           | 24 x 90        | 1000              | 793992         | 114               | 97             | 206888             | 766564             | 179                | 152                | 49                 | 42                 | 2473            | 1479                                     | 1163 | 1038                 | 93             |
| 640                    | x  | 750  | 54                           | 24 x 90        | 1000              | 849441         | 115               | 98             | 199543             | 825671             | 175                | 149                | 54                 | 46                 | 2580            | 1496                                     | 1185 | 1060                 | 96             |
| 660                    | x  | 770  | 56                           | 24 x 90        | 1000              | 906684         | 115               | 99             | 192192             | 886080             | 172                | 147                | 59                 | 50                 | 2685            | 1513                                     | 1206 | 1082                 | 99             |
| 680                    | x  | 790  | 56                           | 24 x 90        | 1000              | 932418         | 111               | 96             | 243536             | 900052             | 181                | 156                | 42                 | 36                 | 2647            | 1640                                     | 1276 | 1134                 | 102            |
| 700                    | x  | 810  | 60                           | 24 x 90        | 1000              | 1026541        | 116               | 100            | 177496             | 1011079            | 165                | 143                | 67                 | 58                 | 2889            | 1550                                     | 1249 | 1126                 | 104            |
| 720                    | x  | 830  | 60                           | 24 x 90        | 1000              | 1054013        | 112               | 97             | 228840             | 1028871            | 174                | 151                | 51                 | 44                 | 2858            | 1671                                     | 1318 | 1178                 | 107            |
| 740                    | x  | 850  | 62                           | 24 x 90        | 1000              | 1117486        | 113               | 98             | 221496             | 1095315            | 171                | 149                | 55                 | 48                 | 2960            | 1688                                     | 1339 | 1199                 | 110            |
| 760                    | x  | 870  | 64                           | 24 x 90        | 1000              | 1182737        | 113               | 99             | 214144             | 1163190            | 168                | 147                | 58                 | 51                 | 3061            | 1705                                     | 1361 | 1221                 | 113            |
| 780                    | x  | 890  | 65                           | 24 x 90        | 1000              | 1230829        | 112               | 98             | 236144             | 1207963            | 171                | 149                | 53                 | 46                 | 3097            | 1775                                     | 1406 | 1258                 | 116            |
| 800                    | x  | 910  | 66                           | 24 x 90        | 1000              | 1279783        | 111               | 97             | 258144             | 1253478            | 173                | 152                | 48                 | 42                 | 3134            | 1847                                     | 1451 | 1295                 | 118            |
| 820                    | x  | 930  | 68                           | 24 x 90        | 1000              | 1349444        | 111               | 98             | 250800             | 1325933            | 170                | 150                | 52                 | 45                 | 3234            | 1863                                     | 1472 | 1317                 | 121            |
| 840                    | x  | 950  | 70                           | 24 x 90        | 1000              | 1420874        | 111               | 98             | 243448             | 1399863            | 168                | 148                | 55                 | 49                 | 3333            | 1879                                     | 1493 | 1338                 | 124            |
| 860                    | x  | 970  | 72                           | 24 x 90        | 1000              | 1494068        | 112               | 99             | 236104             | 1475295            | 165                | 146                | 58                 | 52                 | 3431            | 1896                                     | 1515 | 1360                 | 127            |
| 880                    | x  | 990  | 74                           | 24 x 90        | 1000              | 1569025        | 112               | 100            | 228752             | 1552260            | 162                | 144                | 62                 | 55                 | 3528            | 1914                                     | 1536 | 1382                 | 129            |
| 900                    | x  | 1010 | 75                           | 24 x 90        | 1000              | 1624087        | 111               | 99             | 250752             | 1604612            | 165                | 147                | 57                 | 51                 | 3566            | 1983                                     | 1581 | 1418                 | 132            |
| 920                    | x  | 1030 | 76                           | 24 x 90        | 1000              | 1680004        | 110               | 98             | 272752             | 1657715            | 167                | 149                | 52                 | 47                 | 3604            | 2053                                     | 1626 | 1455                 | 135            |
| 940                    | x  | 1050 | 78                           | 24 x 90        | 1000              | 1759331        | 110               | 99             | 265400             | 1739198            | 165                | 148                | 55                 | 49                 | 3700            | 2070                                     | 1647 | 1477                 | 138            |
| 960                    | x  | 1070 | 80                           | 24 x 90        | 1000              | 1840411        | 110               | 99             | 258056             | 1822230            | 163                | 146                | 58                 | 52                 | 3796            | 2087                                     | 1668 | 1499                 | 140            |
| 980                    | x  | 1090 | 81                           | 24 x 90        | 1000              | 1899788        | 109               | 98             | 280056             | 1879032            | 165                | 148                | 54                 | 48                 | 3835            | 2156                                     | 1713 | 1535                 | 143            |
| 1000                   | x  | 1110 | 82                           | 24 x 90        | 1000              | 1960015        | 108               | 98             | 302056             | 1936601            | 167                | 150                | 50                 | 45                 | 3873            | 2227                                     | 1759 | 1572                 | 146            |

Weitere Größen auf Anfrage  
Fortsetzung auf nächster Seite

## Spannsätze für Biegemomente RINGFEDER® RfN 7012 $M_b$ 80%

### Erklärungen

| Grundabmessungen im ungespannten Zustand           |  |
|--|--|
| <b>d</b>   | = Innendurchmesser   |
| <b>D</b>   | = Außendurchmesser   |
| <b>n<sub>Sc</sub></b>                              | = Anzahl der Schrauben   |
| <b>D<sub>G</sub></b>                               | = Gewinde  |
| <b>T<sub>Ared.</sub></b>                           | = reduziertes Schraubenanzugsmoment bei Biegebelastung   |
| <b>T ohne <math>M_b</math></b>                     | = Übertragbares Drehmoment bei angegebenen $T_A$   |
| <b>p<sub>W</sub> ohne <math>M_b</math></b>         | = Flächenpressung auf der Welle bei gegebenem $T_A$  |
| <b>p<sub>N</sub> ohne <math>M_b</math></b>         | = Flächenpressung auf der Nabe bei gegebenem $T_A$   |
| <b><math>M_b</math> 80%</b>                        | = 80% vom max. Biegemoment   |
| <b>T<sub>res.</sub> bei <math>M_b</math> 80%</b>   | = Resultierendes Drehmoment bei 80% Biegemoment und vorgegebenem Schraubenanzugsmoment                   |
| <b>p<sub>Wmax.</sub> bei <math>M_b</math> 80%</b>  | = Max. Flächenpressung auf der Welle   |
| <b>p<sub>Nmax.</sub> bei <math>M_b</math> 80%</b>  | = Max. Flächenpressung auf der Nabe  |
| <b>p<sub>Wmin.</sub> bei <math>M_b</math> 80%</b>  | = Min. Flächenpressung auf der Welle   |
| <b>p<sub>Nmin.</sub> bei <math>M_b</math> 80%</b>  | = Min. Flächenpressung auf der Nabe  |
| <b>F<sub>ax</sub> bei <math>M_b</math> 80%</b>     | = Übertragbare Axialkraft  |
| <b>DN min bei Rp0,2</b>                            |  |
| <b>250 N/mm<sup>2</sup> + <math>M_b</math> 80%</b> | = Min. Nabenaußendurchm. abhängig von angegebener Nabenstreckgrenze Rp0,2 und ggf. dem Biegemomentanteil |
| <b>350 N/mm<sup>2</sup> + <math>M_b</math> 80%</b> | = Min. Nabenaußendurchm. abhängig von angegebener Nabenstreckgrenze Rp0,2 und ggf. dem Biegemomentanteil |
| <b>450 N/mm<sup>2</sup> + <math>M_b</math> 80%</b> | = Min. Nabenaußendurchm. abhängig von angegebener Nabenstreckgrenze Rp0,2 und ggf. dem Biegemomentanteil |
| <b>G<sub>w</sub></b>                               | = Gewicht  |

### Bestellbeispiel

| Typ      | d   | D   |
|----------|-----|-----|
| RfN 7012 | 160 | 210 |

#### Technische Hinweise

- Oberflächen: Wellen- und Nabenbohrung  $R_a \leq 3,2 \mu\text{m}$
- Toleranzen: Welle: h9 · Nabe: H9

**Hinweis:** Die Werte zu den Wellen- und Nabenpressungen sind mit den in den Tabellen angegebenen Schraubenanzugsdrehmomenten errechnet. Bei Erhöhung bzw. Verminderung des Schraubenanzugsdrehmomentes ergeben sich andere Berechnungswerte.

Weitere Informationen zu  
RINGFEDER® RfN 7012  
auf [www.ringfeder.com](http://www.ringfeder.com)

#### Haftungsausschluss

Alle technischen Daten und Hinweise sind unverbindlich. Rechtsansprüche können daraus nicht abgeleitet werden. Der Anwender ist grundsätzlich verpflichtet zu prüfen, ob die dargestellten Produkte seine Anforderungen erfüllen. Änderungen, die dem technischen Fortschritt dienen, behalten wir uns jederzeit vor.