

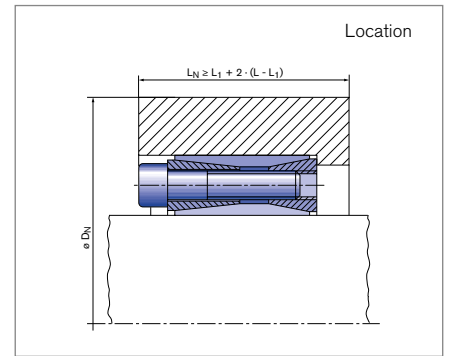
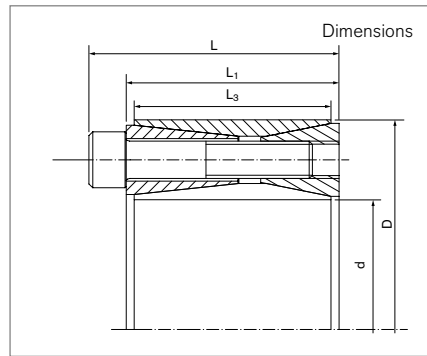
# Locking Assemblies

## RINGFEDER® RfN 7014

### Large transmittable peripheral forces



self-centering    without axial displacement    with low surface pressure



| Locking Assembly dimensions |   |     | Transmissible torques or axial forces |                | Surface pressure |        | Locking screws  |                         |                       | D <sub>N min</sub> at R <sub>p0,2</sub> |                |                |                |                      |     |     |                  |
|-----------------------------|---|-----|---------------------------------------|----------------|------------------|--------|-----------------|-------------------------|-----------------------|---|----------------|----------------|----------------|----------------------|-----|-----|------------------|
| d                           | x | D   | L                                     | L <sub>1</sub> | L <sub>3</sub>   | T      | F <sub>ax</sub> | Shaft<br>P <sub>w</sub> | Hub<br>P <sub>N</sub> | n <sub>Sc</sub>                         | D <sub>G</sub> | T <sub>A</sub> | G <sub>w</sub> | 200                  | 300 | 400 | T <sub>max</sub> |
| mm                          |   |     | mm                                    |                |                  | Nm     | kN              | N/mm <sup>2</sup>       |                       |   |                | Nm             | kg             | [N/mm <sup>2</sup> ] |     |     | Nm               |
| 60                          | x | 100 | 60                                    | 50             | 44               | 4130   | 138             | 208                     | 125                   | 8                                       | M10 x 45       | 84             | 1,8            | 209                  | 157 | 139 | 5120             |
| 70                          | x | 120 | 74                                    | 62             | 56               | 6850   | 196             | 200                     | 117                   | 8                                       | M12 x 55       | 145            | 3,3            | 197                  | 165 | 154 | 8068             |
| 80                          | x | 130 | 74                                    | 62             | 56               | 11650  | 291             | 263                     | 162                   | 12                                      | M12 x 55       | 145            | 3,7            | ---                  | 215 | 189 | 13813            |
| 90                          | x | 140 | 74                                    | 62             | 56               | 13000  | 289             | 234                     | 150                   | 12                                      | M12 x 55       | 145            | 4              | 310                  | 220 | 196 | 15505            |
| 100                         | x | 160 | 94                                    | 80             | 74               | 19700  | 394             | 213                     | 133                   | 12                                      | M14 x 70       | 230            | 7,2            | 312                  | 239 | 217 | 23620            |
| 110                         | x | 170 | 94                                    | 80             | 74               | 26600  | 484             | 242                     | 157                   | 14                                      | M14 x 70       | 230            | 7,7            | ---                  | 284 | 248 | 32045            |
| 120                         | x | 180 | 94                                    | 80             | 74               | 28900  | 482             | 222                     | 148                   | 15                                      | M14 x 70       | 230            | 8,3            | 416                  | 287 | 255 | 34968            |
| 130                         | x | 190 | 94                                    | 80             | 74               | 31200  | 480             | 205                     | 140                   | 15                                      | M14 x 70       | 230            | 8,8            | 399                  | 292 | 263 | 37903            |
| 140                         | x | 200 | 94                                    | 80             | 74               | 40200  | 574             | 227                     | 159                   | 17                                      | M14 x 70       | 230            | 9,3            | ---                  | 337 | 294 | 49017            |
| 150                         | x | 210 | 94                                    | 80             | 74               | 42900  | 572             | 212                     | 151                   | 18                                      | M14 x 70       | 230            | 10             | 510                  | 340 | 301 | 52489            |
| 160                         | x | 230 | 110                                   | 94             | 88               | 64000  | 800             | 227                     | 158                   | 17                                      | M16 x 80       | 355            | 14,9           | ---                  | 390 | 339 | 78558            |
| 170                         | x | 240 | 110                                   | 94             | 88               | 67800  | 798             | 214                     | 152                   | 18                                      | M16 x 80       | 355            | 15,7           | ---                  | 394 | 347 | 83477            |
| 180                         | x | 250 | 110                                   | 94             | 88               | 83000  | 922             | 235                     | 169                   | 20                                      | M16 x 80       | 355            | 16,4           | ---                  | 453 | 384 | 102483           |
| 190                         | x | 260 | 110                                   | 94             | 88               | 88000  | 926             | 223                     | 163                   | 21                                      | M16 x 80       | 355            | 17,2           | ---                  | 454 | 390 | 108947           |
| 200                         | x | 270 | 110                                   | 94             | 88               | 105000 | 1050            | 242                     | 179                   | 23                                      | M16 x 80       | 355            | 18,8           | ---                  | 524 | 431 | 130330           |
| 220                         | x | 300 | 134                                   | 116            | 110              | 123000 | 1118            | 189                     | 139                   | 21                                      | M18 x 100      | 485            | 27,7           | 662                  | 470 | 420 | 153404           |
| 240                         | x | 320 | 134                                   | 116            | 110              | 153000 | 1275            | 198                     | 148                   | 24                                      | M18 x 100      | 485            | 29,8           | ---                  | 527 | 463 | 191651           |
| 260                         | x | 340 | 134                                   | 116            | 110              | 186000 | 1431            | 205                     | 157                   | 26                                      | M18 x 100      | 485            | 32             | ---                  | 586 | 506 | 233920           |
| 280                         | x | 370 | 156                                   | 136            | 130              | 230000 | 1643            | 192                     | 145                   | 24                                      | M20 x 120      | 690            | 46             | ---                  | 606 | 533 | 290328           |
| 300                         | x | 390 | 156                                   | 136            | 130              | 245000 | 1633            | 179                     | 138                   | 24                                      | M20 x 120      | 690            | 49             | 874                  | 614 | 548 | 310335           |

More sizes on request  
To continue see next page

## Locking Assemblies RINGFEDER® RfN 7014

### Explanation

|   |  |  |
|---|--|--|
| <b>d</b> = Inner diameter                               | <b>F<sub>ax</sub></b> = Transmissible axial force                        | <b>T<sub>A</sub></b> = Tightening torque of the clamping screws                              |
| <b>D</b> = Outer diameter                               | <b>p<sub>w</sub></b> = Surface pressure on shaft at given T <sub>A</sub> | <b>G<sub>w</sub></b> = Weight  |
| <b>L</b> = Overall length                               | <b>p<sub>N</sub></b> = Surface pressure on hub at given T <sub>A</sub>   | <b>D<sub>N min</sub></b> = Min. hub outer diam. depending of the given hub yield point Rp0,2 |
| <b>L<sub>1</sub></b> = Overall length (without screws)  | <b>n<sub>Sc</sub></b> = Quantity of screws                               | <b>T<sub>max</sub></b> = Max. transmissible torque   |
| <b>L<sub>3</sub></b> = Width of ring                    | <b>D<sub>G</sub></b> = Thread  |  |
| <b>T</b> = Transmissible torque at given T <sub>A</sub> |  |  |

### Technical Information

- The values for T, F<sub>ax</sub>, p<sub>w</sub> and p<sub>N</sub> apply to Locking Assemblies installed in oiled condition.
- Surface finishes: Shaft and hub bores R<sub>a</sub> ≤ 3,2 μm
- Tolerances: Shaft: k9-h9 · Hub: N9-H9
- Max. two Locking Assemblies at most can be installed in series. In this case the transmission values of the above table are doubled.
- A reduction of the contact pressures and the transmission values by reducing the tightening torque of the screws is possible. Please contact our specialists for assistance.
- For the removal of the Locking Assembly a step in the hub or shaft is required (as shown in the installation situation).

### Ordering example

| Locking assembly | d   | D   |
|------------------|-----|-----|
| RfN 7014         | 150 | 210 |

Further information on  
**RINGFEDER® RfN 7014**  
 on [www.ringfeder.com](http://www.ringfeder.com)

### Disclaimer of liability

All technical details and notes are non-binding and cannot be used as a basis for legal claims. The user is obligated to determine whether the represented products meet his requirements. We reserve the right carry out modifications at any time in the interests of technical progress.