

Ball Screws, Trapezoidal Screws and Lead Screws

Precision Screws Built for Optimized Performance, Repeatability and Stiffness

www.thomsonlinear.com

THOMSON[®]
Linear Motion. Optimized.™



Linear Motion. Optimized.™

Thomson – the Choice for Optimized Motion Solutions

Often the ideal design solution is not about finding the fastest, sturdiest, most accurate or even the least expensive option. Rather, the ideal solution is the optimal balance of performance, life and cost.

Quickly Configure the Optimal Mechanical Motion Solution

Thomson has several advantages that makes us the supplier of choice for motion control technology.

- Thomson owns the broadest standard product offering of mechanical motion technologies in the industry.
- Modified versions of standard product or white sheet design solutions are routine for us.
- Choose Thomson and gain access to over 70 years of global application experience in industries including packaging, factory automation, material handling, medical, clean energy, printing, automotive, machine tool, aerospace and defense.
- As part of Altra Industrial Motion, we are financially strong and unique in our ability to bring together control, drive, motor, power transmission and precision linear motion technologies.

A Name You Can Trust

A wealth of product and application information as well as 3D models, software tools, our distributor locator and global contact information is available at www.thomsonlinear.com/contact_us. Talk to us early in the design process to see how Thomson can help identify the optimal balance of performance, life and cost for your next application. And, call us or any of our 2000+ distribution partners around the world for fast delivery of replacement parts.

Local Support Around the Globe

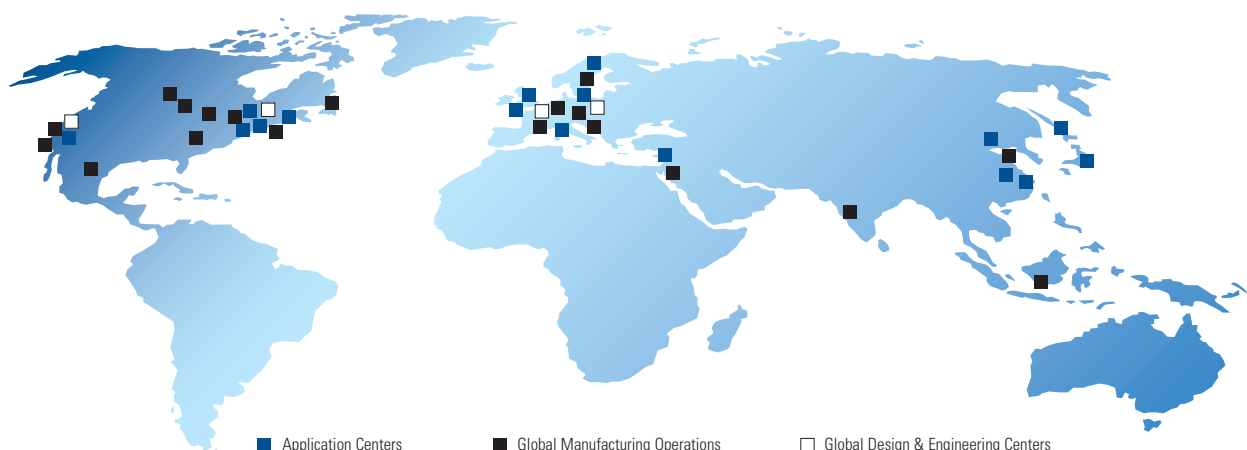


Table Of Contents

Introduction	4	Trapezoidal thread screws	117
Satisfying the diversity of needs		Technical data for trapezoidal thread screws	118
for ball screw actuation	4	RPTS trapezoidal-thread screws	119
Thomson ball screws offer the optimal solution		Trapezoidal thread nuts	120
for your linear motion applications.....	5	KON adapter support	125
Recirculating ball screws	6	KAR universal joint adapter	126
Technical data for recirculating ball screws.....	7	End journals for loose bearings/fixed bearings	127
Standard manufacturing program	8	Calculation	130
Rolled ball screws	9	Splined shafts	137
Tolerance classes.....	10	Sliding sleeves	137
Ball screw nuts – return systems overview	11	Installation and maintenance	139
Preloading	12	Order code	140
Rolled Ball Screws – Overview Standard Manufacturing		Thomson BSA precision lead screw	142
Program	14	Thomson BSA precision lead screw	142
Miniature Ball Screws – Rolled	16	Precision lead screws and Supernuts®	144
Metric Ball Screws – Rolled	24	Graph of critical rotational speed limit values	145
Whirled and ground ball screws – general information.....	72	Graph of critical buckling force	146
Standard range of whirled recirculating ball screws	74	Lead screw product features	147
Nut dimensions with DIN flange		Ordering information	148
for whirled recirculating ball screws.....	82	XC and AFT3700 series	149
High-load ball screws – general information	83	SB, MTS and RSF series.....	150
Thomson high-load ball screws compared		Metric stainless steel precision lead screws shafts	151
to other screw technologies.....	84	Lubrication	152
Standard range for whirled heavy duty		PTFE dry lubricant.....	153
recirculating ball screws.....	85	Inquiry form.....	154
SFM Safety nut.....	86		
Bearing units BK, EK and EK for ball screws	87		
End journal dimensions for BK, EK and FK supports.....	91		
Recommended bearings for BK, EK and FK supports	92		
End support units BF, EF and FF for ball screws	93		
End journal dimensions for BF, EF and FF supports.....	96		
Recommended bearings for BF, EF and FF supports.....	97		
Order Code Ball Screw Drives/Ball Screws	98		
KON adapter support	99		
KAR universal joint adapter	100		
SF helical spring cover	101		
KOKON® – fully protected ball screw			
for harsh conditions	103		
KOKON® Technical data.....	104		
KOKON® Order Code.....	105		
Calculation / Installation.....	106		
Acceptance conditions.....	110		
Materials	113		
Lubrication	114		

Satisfying The Diversity Of Needs For Ball Screw Actuation

The basic technology of ball screw actuation is simple. And yet, the great diversity of demands made on ball screws requires a corresponding breadth in both product offerings and technical expertise in application. Challenges facing machine designers include:

- **Meeting stringent time and cost demands**

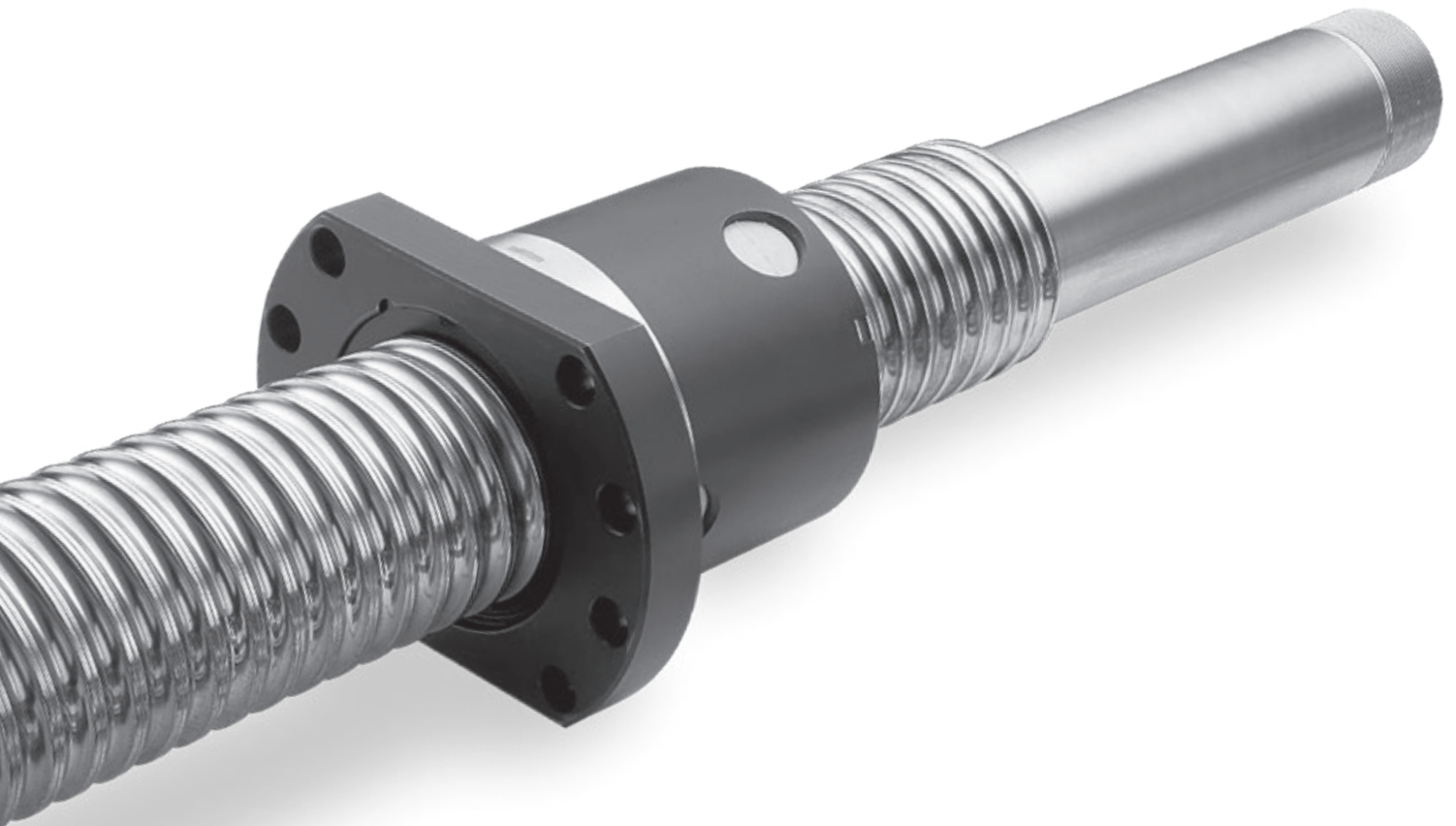
Having the flexibility to meet shorter delivery times is often accompanied by increasing pressure to keep costs down. With a wide range of pre-stocked ball screws and drives, Thomson is has decades of manufacturing expertise and the associated infrastructure to deliver the optimal ball screw solution efficiently and promptly.

- **Getting it right the first time**

A companion to tight deadlines and budgets is the need for the right design solution. With the benefit of decades of global application experience, Thomson has published helpful, online tools that allow for quick and easy sizing and selection of the optimal linear component solution.

- **Finding reliable resources**

It's no coincidence that Thomson has been a leader in ball screw and drive technology for nearly a century. We pride ourselves on manufacturing to the highest of standards and ensuring that each of our customers' precise requirements are being met.

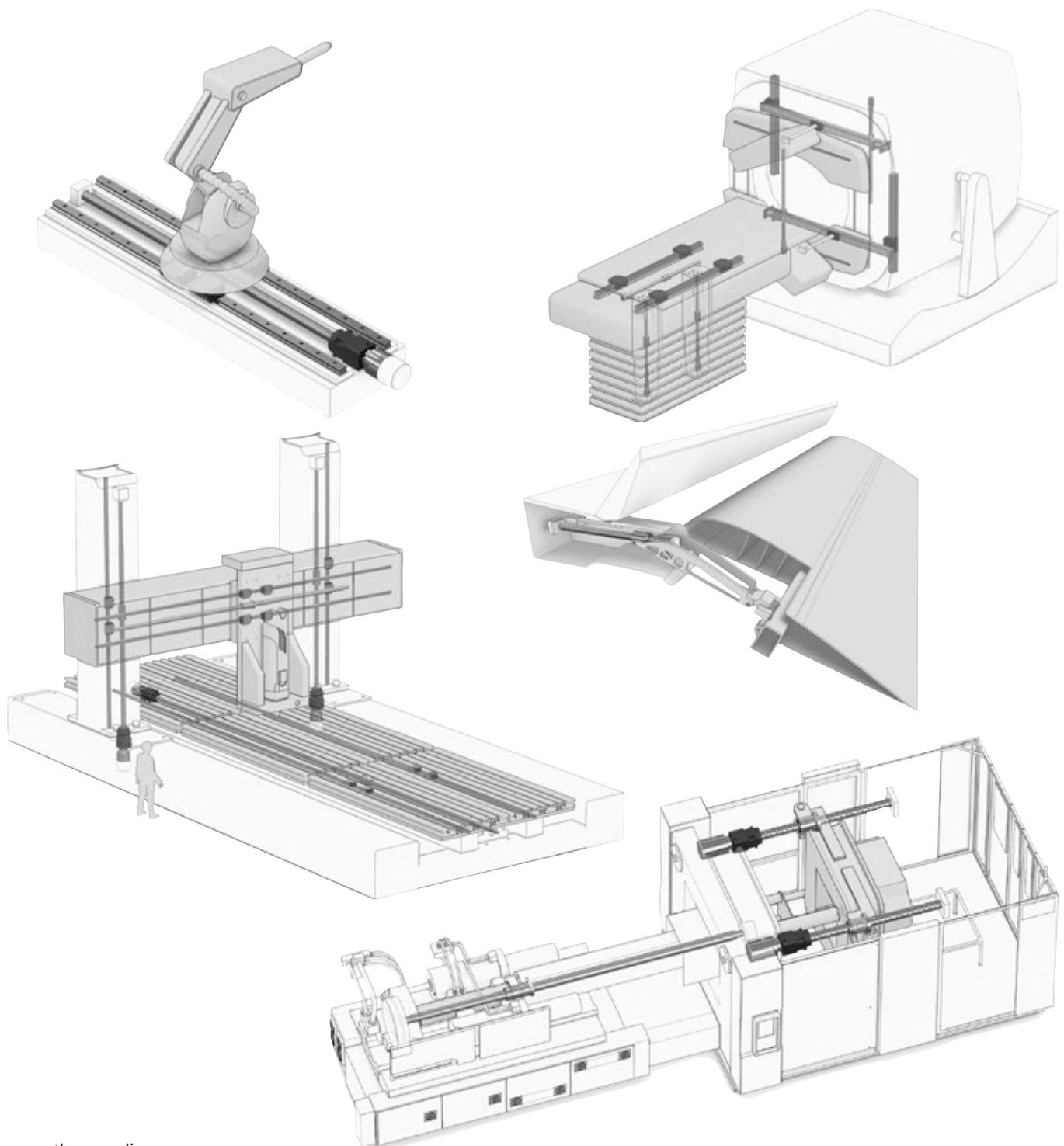


Thomson Ball Screws – The Optimal Solution For Your Linear Motion Applications

Thomson is the world's leading manufacturer of ball screws. These products are used in some of the most demanding applications, including machine tools, handling machinery, technical devices used in medical and aviation markets.

Our wide product range is bound to contain the right drive for almost any motion task: from small custom thread drives for highly sensitive medical devices to ball screws for high-performance machine tools with stringent speed and stiffness requirements.

We strive to provide customers with the perfect solution for their applications, no matter their requirements in load, speed, stiffness, accuracy, service life and reliability. With more than 50 years of experience in precision screw manufacturing and impeccable quality management, Thomson guarantees the highest levels of performance, quality and reliability.

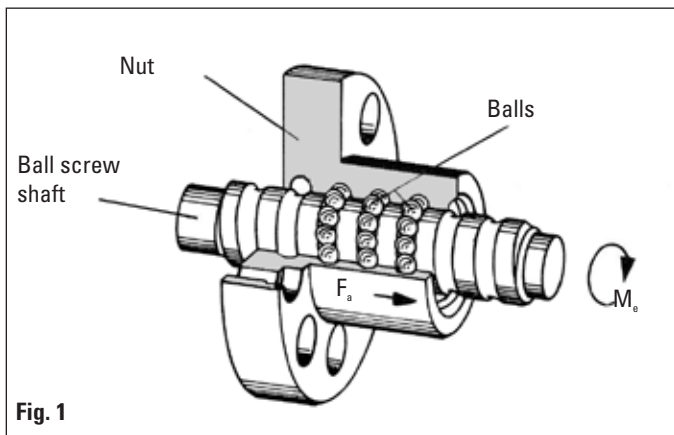


Ball Screws

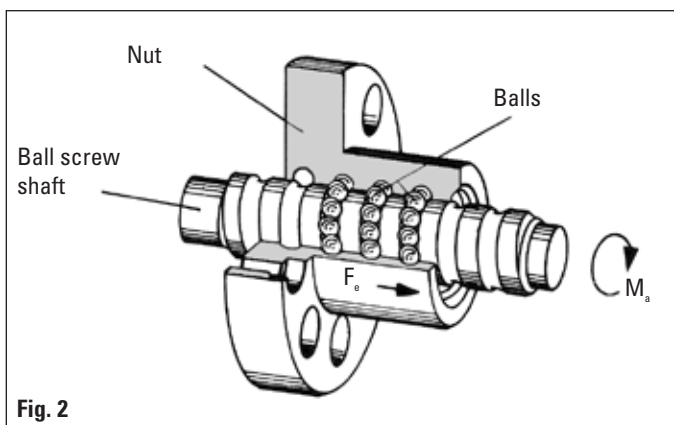
Thomson ball screws are ideal for many technological and mechanical engineering applications. These include:

- Machine tools
- Aircraft construction
- Wood working
- Handling equipment, industrial robots
- Printing and paper machines
- Traffic engineering
- Medical equipment
- Measuring technology

A ball screw is a driving element for converting rotary motion into axial motion and vice versa. A ball screw consists of a ball screw shaft, a ball nut featuring a ball return and the balls themselves.



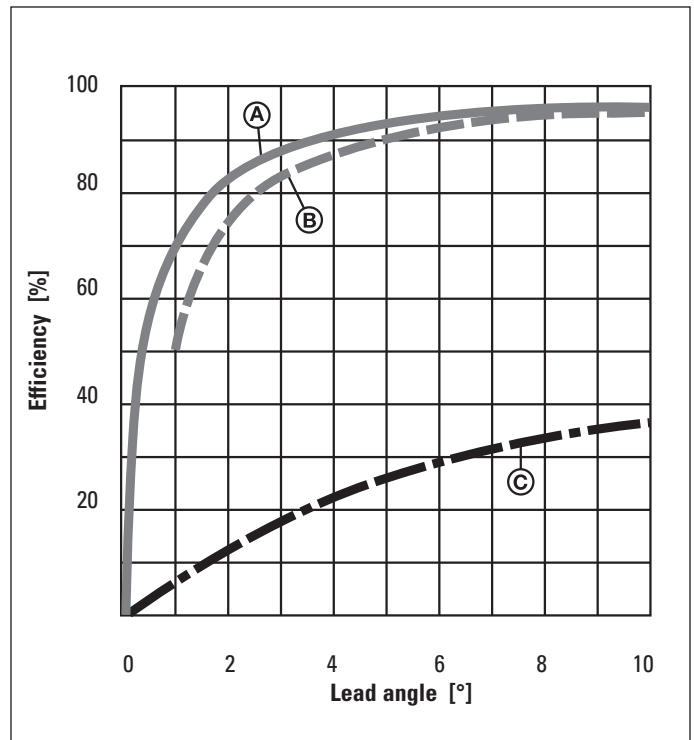
Action: Torque M_s → Reaction: Force F_a



Action: Force F_s → Reaction: Torque M_s

The balls, which roll between the screw shaft and the nut, offer optimum levels of efficiency (up to 98%).

As a result, ball screws, unlike trapezoidal screws, are not capable of self locking.



- (A) Efficiency for ball screws according to Fig. 1
- (B) Efficiency for ball screws according to Fig. 2
- (C) Efficiency for trapezoidal screw

Advantages of ball screws compared to trapezoidal screws include:

- More accurate positioning throughout service life
- Less wear, longer service life
- Less drive power required
- Less heat generated
- Higher travel speeds
- No stick/slip effect

Ball Screws – Technical Data

Manufacturing process

Thomson recirculating ball screws are manufactured in rolled, ground and whirled versions. Both shaft and nut have a gothic arc profile. The lead angle is 45°.

Speeds

The permissible speed limit is currently 3000 rpm, and up to 4500 rpm for spot measurements. This speed limit identifies the maximum speed that may only be used under optimum operating conditions.

Mounting position

The mounting position of a ball screw may be selected freely. The only factor to be taken into consideration is that all radial forces generated must be absorbed by external guides.

Precision

Rolled Thomson ball screw shafts are available in tolerance classes P3, P5, T5 and T7.

Ground/whirled Thomson Neff recirculating ball screws are available in tolerance classes up to P0.

Self-locking

Thanks to their low rolling friction, recirculating ball screws are not self-locking. Therefore, it is necessary to fit suitable motors with a holding brake, especially if the ball screw is mounted vertically.

Temperatures

All ball screws are designed for ambient temperatures between -30°C and 80°C, and temperatures up to 110°C are also permitted for intermittent operations. Ball screws are only conditionally suited for temperatures below freezing.

Repetition accuracy

Repetition accuracy refers to the capability of a ball screw to return to the set position it had previously traveled to under the same conditions. It corresponds to the mean position scatter range as defined in VDI/DGQ 3441. Repetition accuracy is influenced by factors, including:

- Load
- Speed
- Deceleration
- Direction of movement
- Temperature

Standard Manufacturing Program

Ball Screw Type vs Nominal Diameter and Lead Availability

		Nominal Diameter d_0 [mm]											
		12	16	20	25	32	40	50	63	80	100	125	160
Nominal Lead P_{no} [mm]	4	●											
	5	●	●	●○	●○	●○	●○	○					
	10	●	●	○	●○	●○	●○	●○	●○	●○			
	12						△						
	15					○	○		○				
	20			●	●	●	●○	●○△	●○△	○△	○△	○△	○△
	25				●			△	○△	○△	○△	○△	○△
	30									○	○	○△	○△
	32					●							
	40					●	●				○	○	
	50			●	●								
	100							○△					

- **Rolled**
- **Ground/Whirled**
- △ **Heavy Duty Ground/Whirled (load capacity up to 1500 kN dynamic / 6000 kN static)**

Precision drives us

The Thomson ball screw range complies with DIN 69051 and ISO 3408. All ball nuts, both flanged and cylindrical, are available with connections complying with DIN specifications.

Every shaft can be supplied with customized end journals, and upon request, customers can order screws with an annealed end for machining their own end journal.

Rolled Ball Screws

Thread rolling manufacturing

Rolled ball screw shafts are manufactured by cold forming without chip removal. In this procedure, the bar stock is given a ball track in a continuous process. This means that it is, in principle, possible to create leads of any amount and to form any number of threads on the ball screw shaft. The shafts are then heat treated and polished. The forming process ensures high strength and a good surface finish for the ball screw shafts.

Rolled ball screw shafts and the associated standard nuts can be supplied directly from stock at favorable prices.

Special nuts to meet particular customer requirements are also possible.

Thomson offers machined ends to the ball screw shafts, such as bearing seats, both to meet customer requirements and in accordance with common standard forms.

Tolerance classes

Rolled ball screw shafts are available in classes P3, P5, T5 and T7.

Lengths

Various maximum shaft lengths are possible as a function of the nominal diameter:

- Nominal diameter \leq 12 mm = maximum shaft length 3000 mm
- Nominal diameter $>$ 12 mm = maximum shaft length 6000 mm

Thomson rolled shafts set the standard in quality:

- Low surface roughness due to non-cutting rolling process and finishing polishing
- Long service lives due to optimized profiles and the maximum number of threads while simultaneously using large balls
- Great quality and stable running due to patented ball circulation systems
- Decades of experience in the manufacture of rolled and ground ball screws

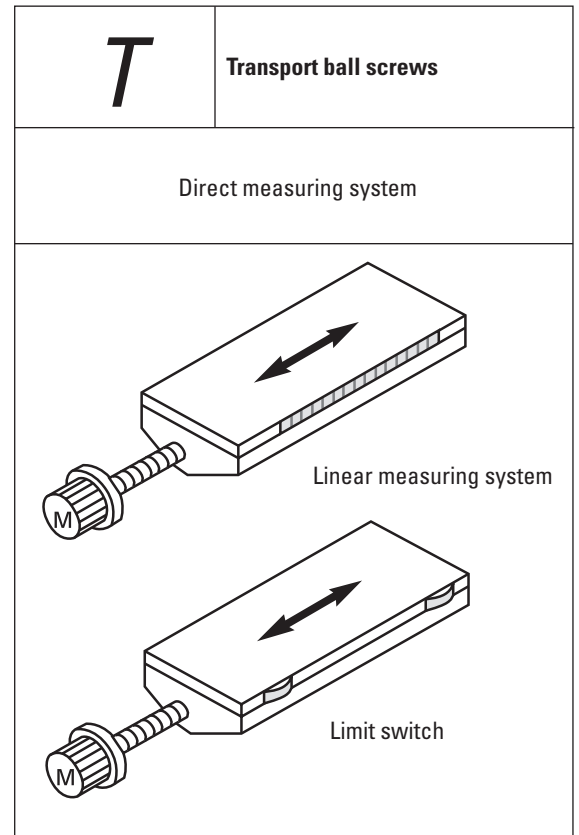
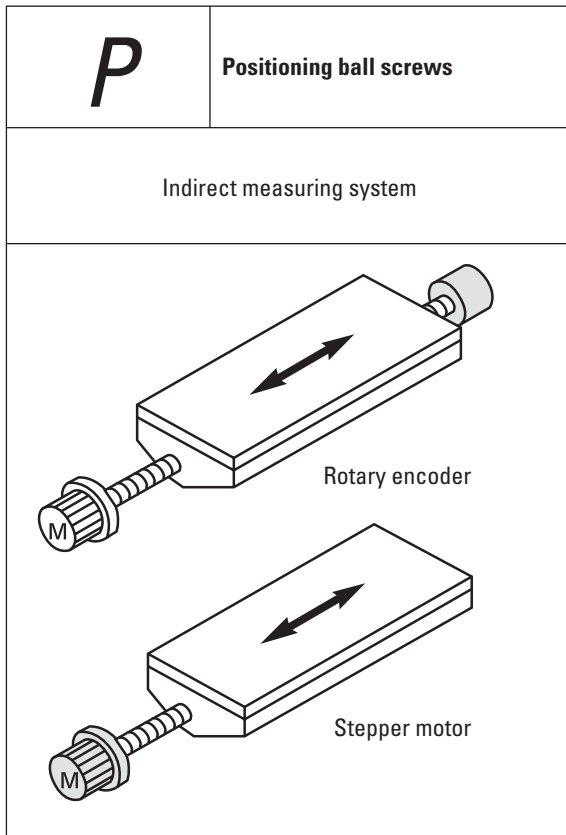
Nuts

A wide range of stock nut styles are available for you to use with our rolled shafts:

- FK, FH, KGF-D style flanged nuts with dimensions complying with DIN 69051
- KGF-N style flanged nuts with a round flange and dimensions complying with the Thomson Neff standard
- Internally preloaded FL style flanged nuts with dimensions as specified in DIN 69051
- ZG style cylindrical nuts with external thread with dimensions complying with DIN 69051
- KGM-D style cylindrical nuts with keyway with dimensions complying with DIN 69051
- KGM-N style cylindrical nuts with keyway with dimensions complying with Thomson Neff standards

KGF-D style nuts can be combined with KGF-D or KGM-D style nuts to create preloaded nut units. The same is true for KGF-N style nuts which can be combined with KGF-N and KGM-N style nuts. Please contact our technical advisory service for further options with regards to preloaded nuts. Upon request, you may also have Thomson nuts mounted backlash-free or with low backlash.

Tolerance Classes



Type and tolerance class
<i>P1</i>
<i>P3</i>
<i>P5</i>

Permissible travel variance within 300 mm travel in μm
6 μm
12 μm
23 μm
52 μm

Type and tolerance class
<i>T5</i>
<i>T7</i>

■ Standard

Ball Nuts – Return Systems

Thomson offers a wide breadth of ball nut configurations to seamlessly interface to the application. Most ball nuts have profiled wiper rings to reduce the escape of lubricant and prevent the ingress of dirt.

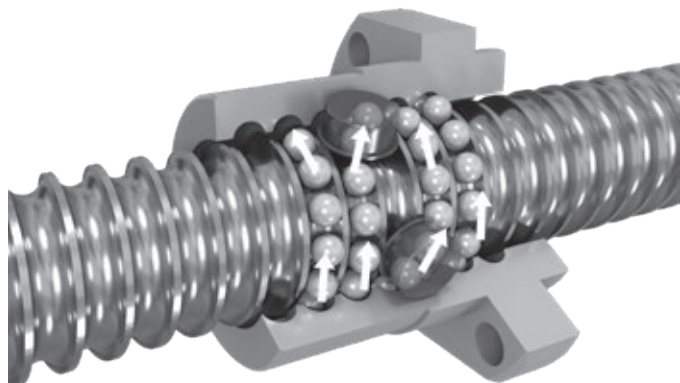
Ball Nut Mounting Alternatives

Thomson offers flanged ball nuts that are attached via a set of mounting holes or cylindrical nuts that have a keyway or external thread. Custom interfaces such as trunnions and nut housings are also available.

Ball Recirculation Systems

Thomson manufactures ball nuts with three different ball recirculation systems depending on the diameter and lead of the ball screw shaft in use.

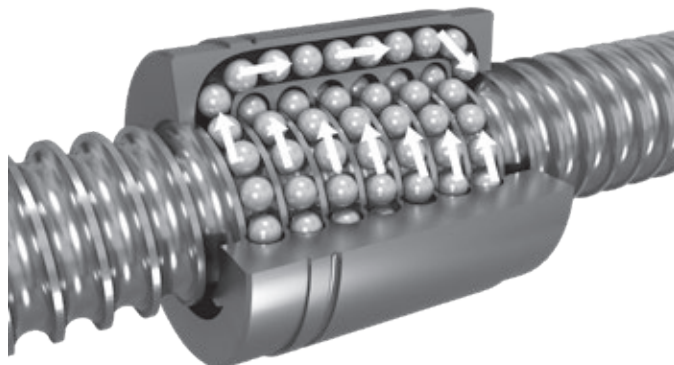
1



Single Return (E) and Multi Liner (M)

After each turn, the balls are lifted from the shaft raceway and set back by a single turn. Our return systems are made from glass-fiber reinforced plastic or steel to guarantee precise, gentle recirculation of the balls.

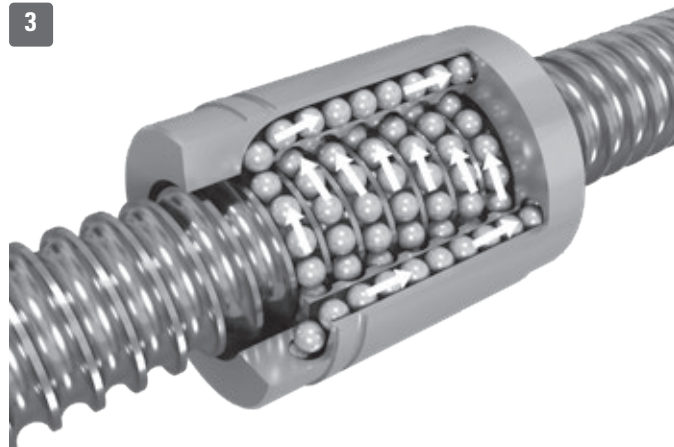
2



Channel Return (K)

After several turns, the balls are returned either by a patented plastic recirculation system integrated into the nut or through channels also integrated into the nut using steel inserts.

3



End-Cap Return (D)

The balls are recirculated via two special end caps and return channels integrated into the nut.

Preloading

If the ball nut unit is preloaded on the ball screw, the following results can be achieved:

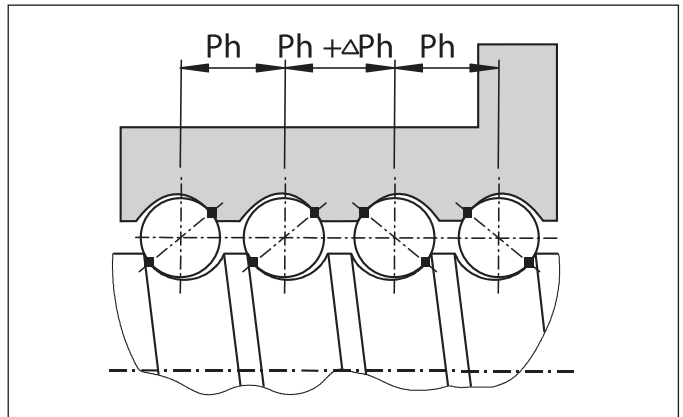
- Increased positioning accuracy
- Increased stiffness in the nut area
- Reduced width of backlash

Preloading with 2-point ball contact:

Standard preloading force: 10% of dynamic rated load

Designs:

- VDM preloaded double nut
- VEM-2 and FL preloaded single nut with internal thread shift
- VEM-2 preloaded single nut with internal thread shift between individual threads (only where there is more than one thread)



Preloading with 4-point ball contact:

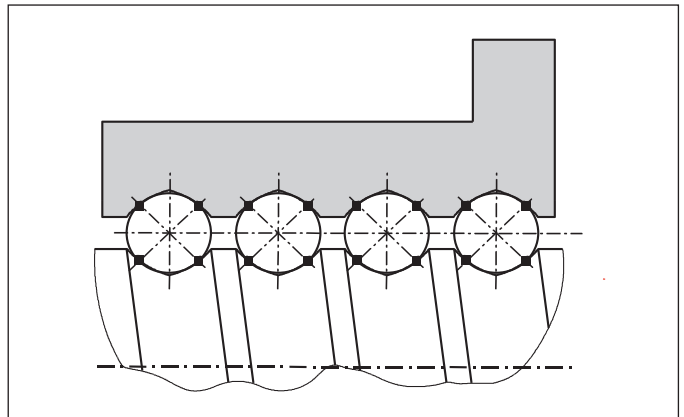
Standard preloading force: 4% of dynamic rated load

Design:

Preloaded single nut with oversized ball bearings VEM-4

Note:

- Allows shorter nut lengths to be used
- Not suitable for all applications due to increased levels of sliding friction, but provides a cost-effective solution in certain cases



Note:

In the case of lead precisions poorer than P5 and shaft leads < diameter d_0 , the unit can only be set to low backlash. The overall length of the nuts can be increased by up to 10 mm as a consequence of the preloading system used.

Single nuts may also be supplied assembled backlash-free on request. Please contact customer support.

Preloading

Ball nut units – preloaded

As a rule all nuts can be combined to form backlash-free, preloaded nut units except when the lead is equal to or greater than the diameter of the screw.

Thomson supplies ready-to-install units with “O” preloading.

O preloading:

With this type of preloading, the lines of forces run in a rhomboidal pattern (O-shaped), i.e. the nuts are pressed apart by the preloading force. This configuration offers particularly high rigidity against tilting. The standard preloading is equal to 10% of the dynamic load rating C.

Note:

Backlash-free preloading is only possible with a lead accuracy $\leq 50 \mu\text{m}/300 \text{ mm}$ and leads $P < \text{diameter } d_0$.

Lead accuracies of $> 50 \mu\text{m}/300 \text{ mm}$ and leads $\geq \text{diameter } d_0$ only allow a low backlash preloading. The total length of the nut can accelerate up to 10 mm due to the installed preloading disc.

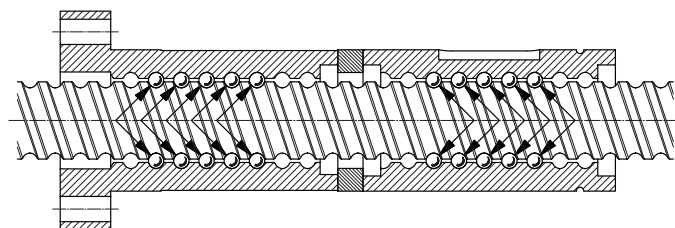
Single nuts mounted backlash-free on request. Please contact our technical support.

Preloading variants

KGT-FM

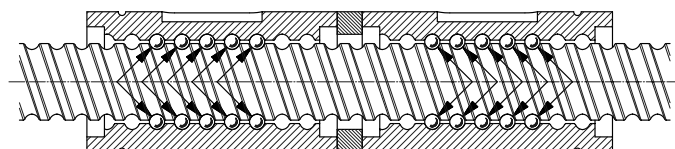
Ball screw drive with one KGF flanged nut and one KGM cylindrical nut with

O-preloading.



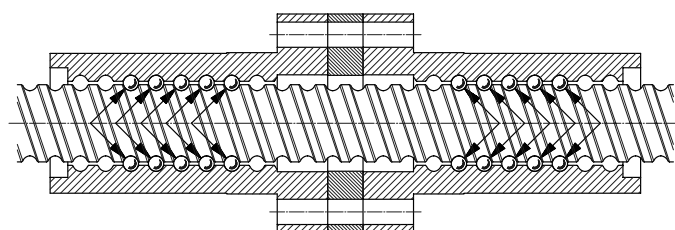
KGT-MM

Ball screw drive with two KGM cylindrical nuts and O-preloading. Only one of the two feather keys transmits the drive torque.



KGT-FF

Ball screw drive with two KGF flanged nuts with O-preloading.



Rolled Ball Screws – Standard Manufacturing Program

Technical Data												
Nominal diameter	Lead	Number of thread starts	Ball diameter	Best available tolerance class for right-hand thread shafts	Best available tolerance class for left-hand thread shafts	External diameter	Thread minor diameter	Maximum length	Minimum axial moment of inertia	Cross-sectional area	Minimum axial moment of inertia	Polar moment of inertia
d_0	P_h		D_w			d_1	d_2	l_{max}	M	a	i	I_p
[mm]	[mm]		[mm]			[mm]	[mm]	[mm]	[kg/m]	[mm ²]	[mm ⁴]	[mm ⁴]
12	4	1	2.000	P3		11.60 h11	10.07	3000	0.76	9.63E+01	7.00E+02	1.48E+03
	5	1	2.000	P3		11.50 h11	9.97	3000	0.76	9.64E+01	6.89E+02	1.48E+03
	10	2	2.000	P3		11.50 h11	10.05	3000	0.75	9.61E+01	6.59E+02	1.48E+03
16	5	1	3.500	P3	T7	15.55 h11	12.88	6000	1.38	1.75E+02	2.22E+03	4.93E+03
	5.08	1	3.500	P3		15.68 h12	12.86	6000	1.26	1.60E+02	2.03E+03	4.08E+03
	10	2	3.000	P3		15.35 h11	12.89	6000	1.26	1.60E+02	1.69E+03	4.17E+03
20	5	1	3.500	P3	P3	19.50 h11	16.87	6000	2.21	2.82E+02	5.85E+03	1.27E+04
	20	4	3.500	P3		19.50 h11	16.87	6000	2.03	2.59E+02	5.41E+03	1.08E+04
	50	5	3.500	P3		19.10 h11	16.40	6000	2.05	2.62E+02	5.53E+03	1.11E+04
25	5	1	3.500	P3	T7	24.60 h11	21.90	6000	3.32	4.23E+02	1.42E+04	2.85E+04
	10	2	3.500	P3		24.60 h11	21.92	6000	3.34	4.25E+02	1.27E+04	2.90E+04
	20	4	3.500	P3		24.60 h11	21.92	6000	3.32	4.23E+02	1.44E+04	2.88E+04
	25	4	3.500	P3		24.71 h12	21.92	6000	3.40	4.34E+02	1.51E+04	3.02E+04
	25	5	3.500	P3		24.60 h11	21.92	6000	3.32	4.23E+02	1.44E+04	2.88E+04
	50	5	3.500	P3		24.15 h11	21.47	6000	3.37	4.29E+02	1.48E+04	2.95E+04
32	5	1	3.500	P3	T7	31.50 h11	28.87	6000	5.90	7.52E+02	4.29E+04	9.01E+04
	10	1	5.556	P3		31.67 h11	27.36	6000	5.54	7.05E+02	3.80E+04	7.92E+04
	10	1	7.144	P3		32.74 h11	27.33	6000	5.57	7.10E+02	3.98E+04	8.03E+04
	20	2	5.000	P3		31.70 h11	27.81	6000	5.67	7.22E+02	3.63E+04	8.38E+04
	20	2	5.556	P3		31.67 h11	27.36	6000	5.53	7.04E+02	3.38E+04	7.99E+04
	32	4	3.969	P3		31.30 h11	28.33	6000	5.74	7.31E+02	4.28E+04	8.56E+04
	40	4	3.500	P3		30.90 h11	28.26	6000	5.63	7.17E+02	4.10E+04	8.21E+04
40	5	1	3.500	P3	T7	39.53 h11	36.90	6000	9.03	1.15E+03	1.05E+05	2.11E+05
	10	1	7.144	P3	T7	39.62 h11	34.28	6000	8.43	1.07E+03	9.11E+04	1.83E+05
	20	2	5.000	P3		39.70 h11	35.81	6000	9.05	1.15E+03	9.52E+04	2.13E+05
	20	2	5.556	P3		40.00 h12	35.72	6000	8.87	1.13E+03	9.00E+04	2.05E+05
	40	4	3.500	P3		38.95 h11	36.24	6000	9.02	1.15E+03	1.05E+05	2.11E+05
	40	4	7.144	P3		39.81 h12	34.32	6000	8.37	1.07E+03	9.16E+04	1.83E+05
50	10	1	7.144	P3	T7	49.60 h11	44.11	6000	13.53	1.72E+03	2.35E+05	4.73E+05
	20	2	6.350	P3		49.60 h11	44.87	6000	13.86	1.77E+03	2.22E+05	4.99E+05
	20	2	7.144	P3		49.50 h11	43.99	6000	13.46	1.71E+03	2.05E+05	4.72E+05
63	10	1	7.144	P3		62.60 h11	57.15	6000	22.07	2.81E+03	6.25E+05	1.26E+06
	20	2	7.144	P3		62.70 h11	57.16	6000	22.06	2.81E+03	5.70E+05	1.26E+06
80	10	1	7.144	T7		79.65 h12	74.20	6000	36.43	4.64E+03	1.71E+06	3.43E+06

Nut Styles

Nominal diameter	Lead	Standard nut styles on stock (R = with right-hand thread, L = with left-hand thread)													
		Standard nuts							Preloaded double nuts						
		KGF-D* (FK)	KGF-D* (FH)	KGF-L (FL)	KGM-G (ZG)	KGF-D*	KGF-N	KGM-D*	KGM-N	FM-D*	FM-N	MM-D*	MM-N	FF-D*	FF-N
12	4				R				R						
	5								R						
	10					R		R							
16	5	R		R	R	R	R	R		R	R	R		R	R
	5.08														
	10					R		R		R		R		R	
20	5	R		R	R	R+L	R	R+L	R	R+L	R	R+L	R	R+L	R
	20		R				R		R		R		R		R
	50						R		R						
25	5	R		R	R	R	R	R	R	R	R	R	R	R	R
	10		R		R	R		R		R		R		R	
	20					R		R		R		R		R	
	25		R												
	25					R		R		R		R		R	
32	50					R		R							
	5	R		R	R	R	R	R	R	R	R	R	R	R	R
	10	R		R	R										
	10					R	R		R	R	R		R	R	R
	20					R			R	R			R	R	
	20		R												
	32		R			R								R	
40	40						R		R						
	5	R		R	R	R	R	R	R	R	R	R	R	R	R
	10	R		R	R	R	R	R	R	R	R	R	R	R	R
	20					R		R		R		R		R	
	20		R		R										
50	40		R			R		R		R		R		R	
	10	R		R	R	R	R	R	R	R	R	R	R	R	R
	20		R												
63	20					R		R		R		R		R	
	10	R		R	R	R	R	R	R	R	R	R	R	R	R
80	10	R			R		R		R			R		R	

KGF-D (FK)



KGF-D (FH)



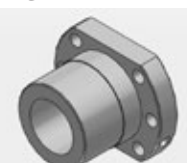
KGF-L (FL)



KGM-G (ZG)



KGF-D



KGF-N



KGM-D



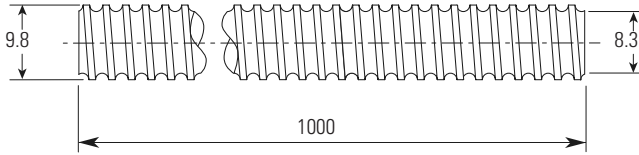
KGM-N



*DIN 69051 compliant

Ø 10 x 2 mm – Miniature Ball Screws – Rolled

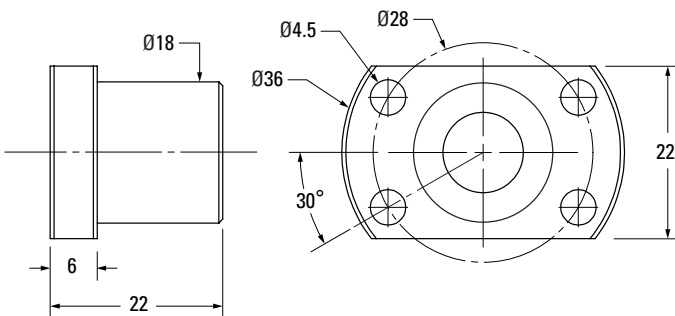
Ball Screw



Nominal Ball Screw Diameter	10 mm
Nominal Ball Screw Lead	2 mm
Thread Direction	Right Hand
Screw Material	CF53
Screw Weight	0.59 kg/m
Nominal Ball Diameter	1.588 mm
Lead Accuracy ⁽¹⁾ T7 Part Number	190-9680

Ball screws can be cut to the length you require. Specify ball screw part number and overall length at time of order

Flanged Ball Nut



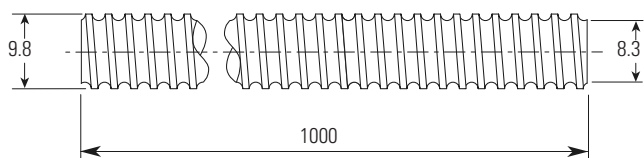
Thread Direction	Right Hand
Nut Material	1.7131 (ESP 65)
Dynamic Load	2.0 kN
Max. Static Load	3.4 kN
Torque to Raise 1 kN	0.35 Nm
Nut Weight	0.1 kg
Preload Classes ⁽²⁾	Z2
Standard max. Backlash	0.05 mm
Ball Return Type	Multi Circuit Liner
Number of Balls	90
Wiper Type	N/A
Part Number	8103-448-039

(1) T7 = 52 µm / 300 mm

(2) Z2 = no preload, clearance held to max. indicated in table (standard unless specified)

Ø 10 x 2 mm – Miniature Ball Screws – Rolled

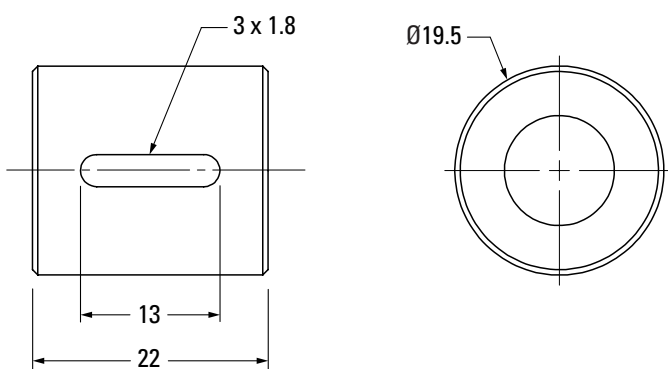
Ball Screw



Nominal Ball Screw Diameter	10 mm
Nominal Ball Screw Lead	2 mm
Thread Direction	Right Hand
Screw Material	CF53
Screw Weight	0.59 kg/m
Nominal Ball Diameter	1.588 mm
Lead Accuracy ⁽¹⁾ T7 Part Number	190-9680

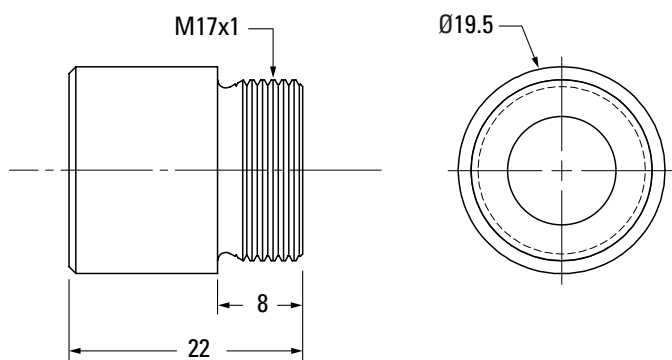
Ball screws can be cut to the length you require. Specify ball screw part number and overall length at time of order

Cylindrical Ball Nut



Thread Direction	Right Hand
Nut Material	1.7131 (ESP 65)
Dynamic Load	2.0 kN
Max. Static Load	3.4 kN
Torque to Raise 1 kN	0.35 Nm
Nut Weight	0.1 kg
Preload Classes ⁽²⁾	Z2
Standard max. Backlash	0.05 mm
Ball Return Type	Multi Circuit Liner
Number of Balls	90
Wiper Type	N/A
Part Number	8103-448-052

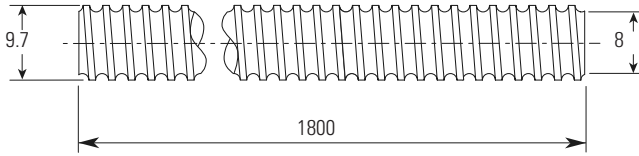
Threaded Ball Nut



Thread Direction	Right Hand
Nut Material	1.7131 (ESP 65)
Dynamic Load	2.0 kN
Max. Static Load	3.4 kN
Torque to Raise 1 kN	0.35 Nm
Nut Weight	0.1 kg
Preload Classes ⁽²⁾	Z2
Standard max. Backlash	0.05 mm
Ball Return Type	Multi Circuit Liner
Number of Balls	90
Wiper Type	N/A
Part Number	8103-448-022

Ø 10 x 3 mm – Miniature Ball Screws – Rolled

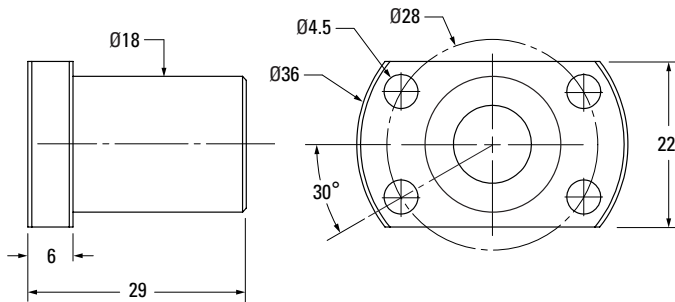
Ball Screw



Nominal Ball Screw Diameter	10 mm
Nominal Ball Screw Lead	3 mm
Thread Direction	Right Hand
Screw Material	CF53
Screw Weight	0.58 kg/m
Nominal Ball Diameter	1.984 mm
Lead Accuracy ⁽¹⁾ T7 Part Number	190-9681

Ball screws can be cut to the length you require. Specify ball screw part number and overall length at time of order

Flanged Ball Nut



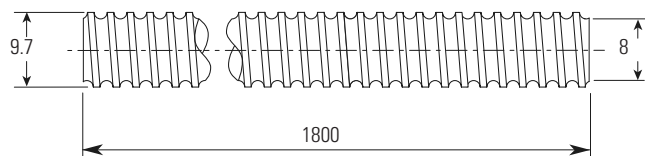
Thread Direction	Right Hand
Nut Material	1.7131 (ESP 65)
Dynamic Load	4.8 kN
Max. Static Load	8.6 kN
Torque to Raise 1 kN	0.53 Nm
Nut Weight	0.1 kg
Preload Classes ⁽²⁾	Z2
Standard max. Backlash	0.05 mm
Ball Return Type	Multi Circuit Liner
Number of Balls	98
Wiper Type	N/A
Part Number	8103-448-040

(1) T7 = 52 µm / 300 mm

(2) Z2 = no preload, clearance held to max. indicated in table (standard unless specified)

Ø 10 x 3 mm – Miniature Ball Screws – Rolled

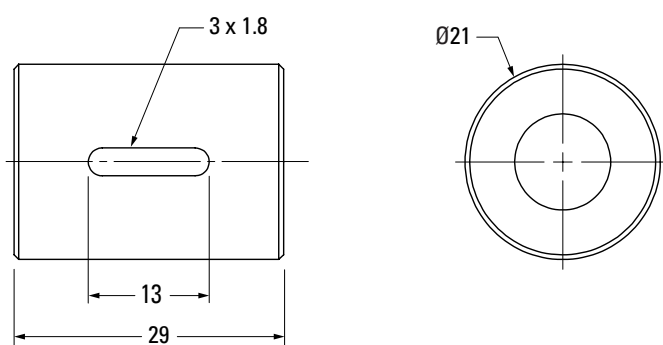
Ball Screw



Nominal Ball Screw Diameter	10 mm
Nominal Ball Screw Lead	3 mm
Thread Direction	Right Hand
Screw Material	CF53
Screw Weight	0.58 kg/m
Nominal Ball Diameter	1.984 mm
Lead Accuracy ⁽¹⁾ T7 Part Number	190-9681

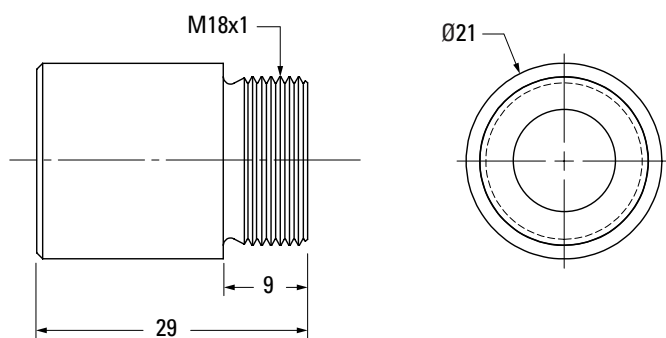
Ball screws can be cut to the length you require. Specify ball screw part number and overall length at time of order

Cylindrical Ball Nut



Thread Direction	Right Hand
Nut Material	1.7131 (ESP 65)
Dynamic Load	4.8 kN
Max. Static Load	8.6 kN
Torque to Raise 1 kN	0.53 Nm
Nut Weight	0.1 kg
Preload Classes ⁽²⁾	Z2
Standard max. Backlash	0.05 mm
Ball Return Type	Multi Circuit Liner
Number of Balls	98
Wiper Type	N/A
Part Number	8103-448-053

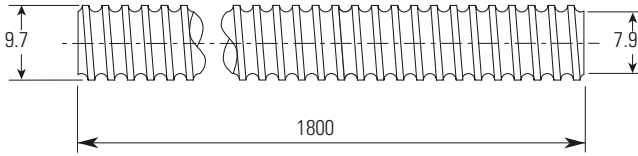
Threaded Ball Nut



Thread Direction	Right Hand
Nut Material	1.7131 (ESP 65)
Dynamic Load	4.8 kN
Max. Static Load	8.6 kN
Torque to Raise 1 kN	0.53 Nm
Nut Weight	0.1 kg
Preload Classes ⁽²⁾	Z2
Standard max. Backlash	0.05 mm
Ball Return Type	Multi Circuit Liner
Number of Balls	98
Wiper Type	N/A
Part Number	8103-448-023

Ø 10 x 10 mm – Miniature Ball Screws – Rolled

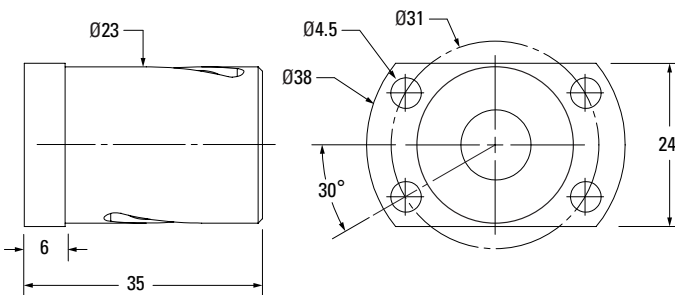
Ball Screw



Nominal Ball Screw Diameter	10 mm
Nominal Ball Screw Lead	10 mm
Thread Direction	Right Hand
Screw Material	CF53
Screw Weight	0.58 kg/m
Nominal Ball Diameter	1.984 mm
Lead Accuracy ⁽¹⁾ T7 Part Number	190-9689

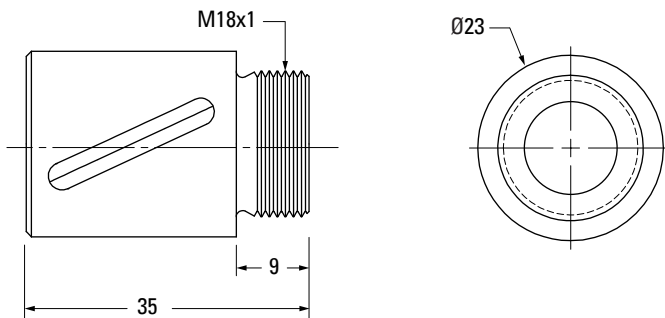
Ball screws can be cut to the length you require. Specify ball screw part number and overall length at time of order

Flanged Ball Nut



Thread Direction	Right Hand
Nut Material	1.7131 (ESP 65)
Dynamic Load	2.9 kN
Max. Static Load	5.2 kN
Torque to Raise 1 kN	1.77 Nm
Nut Weight	0.1 kg
Preload Classes ⁽²⁾	Z2
Standard max. Backlash	0.05 mm
Ball Return Type	Internal
Number of Balls	76
Wiper Type	N/A
Part Number	8103-448-042

Threaded Ball Nut



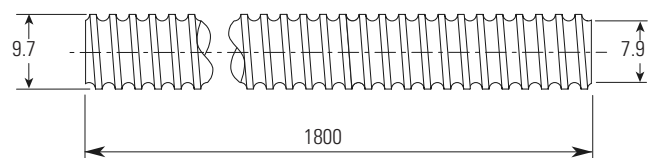
Thread Direction	Right Hand
Nut Material	1.7131 (ESP 65)
Dynamic Load	2.9 kN
Max. Static Load	5.2 kN
Torque to Raise 1 kN	1.77 Nm
Nut Weight	0.1 kg
Preload Classes ⁽²⁾	Z2
Standard max. Backlash	0.05 mm
Ball Return Type	Internal
Number of Balls	76
Wiper Type	N/A
Part Number	8103-448-030

(1) T7 = 52 µm / 300 mm

(2) Z2 = no preload, clearance held to max. indicated in table (standard unless specified)

Ø 10 x 10 mm – Miniature Ball Screws – Rolled

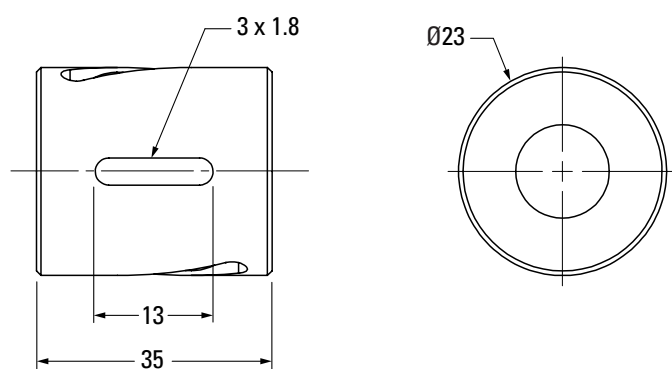
Ball Screw



Nominal Ball Screw Diameter	10 mm
Nominal Ball Screw Lead	10 mm
Thread Direction	Right Hand
Screw Material	CF53
Screw Weight	0.58 kg/m
Nominal Ball Diameter	1.984 mm
Lead Accuracy ⁽¹⁾ T7 Part Number	190-9689

Ball screws can be cut to the length you require. Specify ball screw part number and overall length at time of order

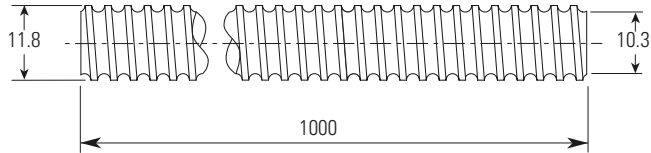
Cylindrical Ball Nut



Thread Direction	Right Hand
Nut Material	1.7131 (ESP 65)
Dynamic Load	2.9 kN
Max. Static Load	5.2 kN
Torque to Raise 1 kN	1.77 Nm
Nut Weight	0.1 kg
Preload Classes ⁽²⁾	Z2
Standard max. Backlash	0.05 mm
Ball Return Type	Internal
Number of Balls	76
Wiper Type	N/A
Part Number	8103-448-055

Ø 12 x 2 mm – Miniature Ball Screws – Rolled

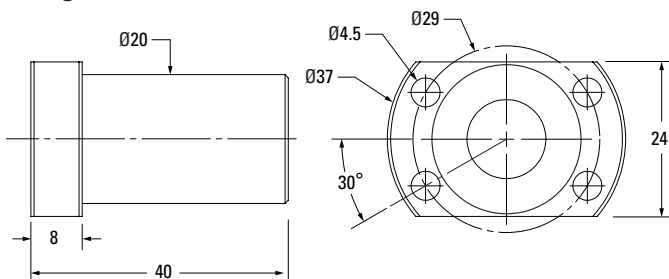
Ball Screw



Nominal Ball Screw Diameter	12 mm
Nominal Ball Screw Lead	2 mm
Thread Direction	Right Hand
Screw Material	CF53
Screw Weight	0.86 kg/m
Nominal Ball Diameter	1.588 mm
Lead Accuracy ⁽¹⁾ T7 Part Number	190-9690

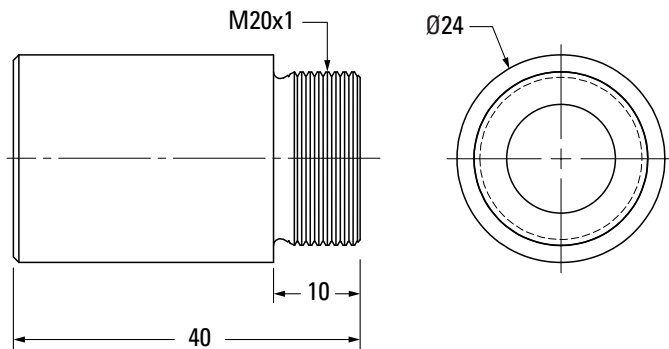
Ball screws can be cut to the length you require. Specify ball screw part number and overall length at time of order

Flanged Ball Nut



Thread Direction	Right Hand
Nut Material	1.7131 (ESP 65)
Dynamic Load	6.8 kN
Max. Static Load	13.1 kN
Torque to Raise 1 kN	0.35 Nm
Nut Weight	0.1 kg
Preload Classes ⁽²⁾	Z2
Standard max. Backlash	0.05 mm
Ball Return Type	Multi Circuit Liner
Number of Balls	198
Wiper Type	N/A
Part Number	8105-448-043

Threaded Ball Nut



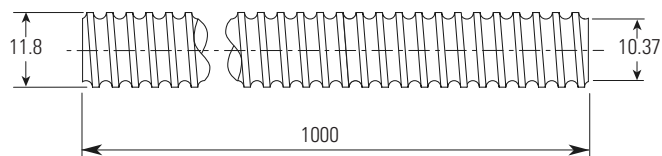
Thread Direction	Right Hand
Nut Material	1.7131 (ESP 65)
Dynamic Load	6.8 kN
Max. Static Load	13.1 kN
Torque to Raise 1 kN	0.35 Nm
Nut Weight	0.1 kg
Preload Classes ⁽²⁾	Z2
Standard max. Backlash	0.05 mm
Ball Return Type	Multi Circuit Liner
Number of Balls	198
Wiper Type	N/A
Part Number	8103-448-031

(1) T7 = 52 µm / 300 mm

(2) Z2 = no preload, clearance held to max. indicated in table (standard unless specified)

Ø 12 x 2 mm – Miniature Ball Screws – Rolled

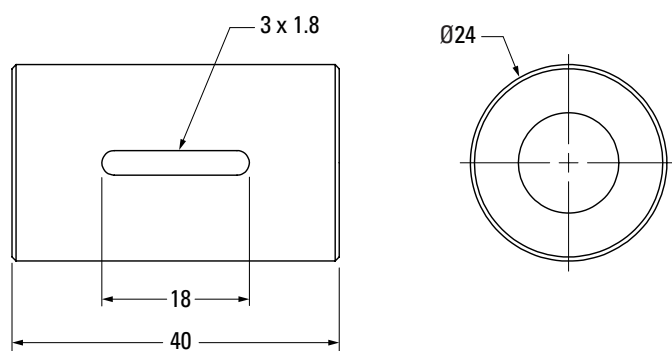
Ball Screw



Nominal Ball Screw Diameter	12 mm
Nominal Ball Screw Lead	2 mm
Thread Direction	Right Hand
Screw Material	CF53
Screw Weight	0.86 kg/m
Nominal Ball Diameter	1.588 mm
Lead Accuracy ⁽¹⁾ T7 Part Number	190-9690

Ball screws can be cut to the length you require. Specify ball screw part number and overall length at time of order

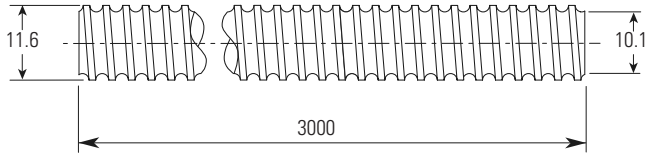
Cylindrical Ball Nut



Thread Direction	Right Hand
Nut Material	1.7131 (ESP 65)
Dynamic Load	6.8 kN
Max. Static Load	13.1 kN
Torque to Raise 1 kN	0.35 Nm
Nut Weight	0.1 kg
Preload Classes ⁽²⁾	Z2
Standard max. Backlash	0.05 mm
Ball Return Type	Multi Circuit
Number of Balls	198
Wiper Type	N/A
Part Number	8105-448-056

Ø 12 x 4 mm – Ball Screws – Rolled

Ball Screw

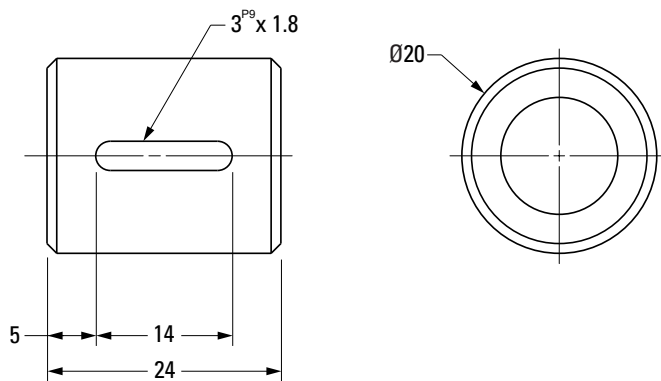


Note: Dimensional information for all End Journals and Bearing Supports is available on page 87 – 97. Information on required lubrication is on page 114.

Nominal Ball Screw Diameter	12 mm
Nominal Ball Screw Lead	4 mm
Thread Direction	Right Hand
Number of Thread Starts	1
Screw Material	CF53
Screw Weight	0.76 kg/m
Nominal Ball Diameter	2.0 mm
Lead Accuracy ⁽¹⁾ T7 Part Number	0220150

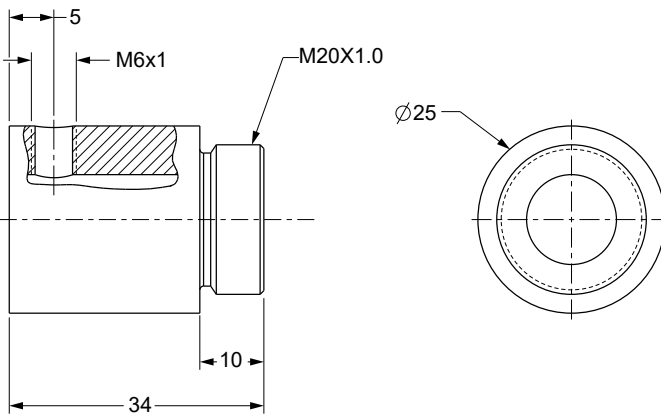
Ball screws can be cut to the length you require. Specify ball screw part number and overall length at time of order

Cylindrical Ball Nut – KGM-N



Thread Direction	Right Hand
Nut Material	1.7131 (ESP 65)
Max. Load (Dynamic / Static)	4.9 kN / 6.6 kN
Number of Circuits	3
Torque to Raise 1 kN	0.708 Nm
Nut Weight	0.1 kg
Preload Classes ⁽²⁾	See order code on page 98
Standard max. Backlash	0.024 mm
Ball Return Type	Channel
Number of Balls	63
Wiper Type	N/A
Part Number	0215050293

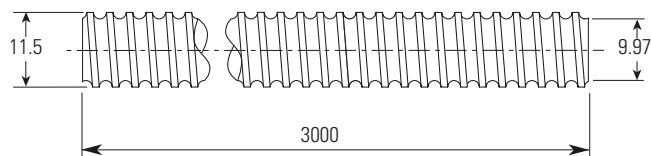
Threaded Ball Nut – KGM-G (ZG)



Thread Direction	Right Hand
Nut Material	1.7131 (ESP 65)
Max. Load (Dynamic / Static)	3.8 kN / 4.3 kN
Number of Circuits	3
Torque to Raise 1 kN	0.708 Nm
Nut Weight	0.1 kg
Preload Classes ⁽²⁾	See order code on page 98
Standard max. Backlash	0.024 mm
Ball Return Type	Single Circuit
Number of Balls	60
Wiper Type	N/A
Part Number	0215050362

Ø 12 x 5 mm – Ball Screws – Rolled

Ball Screw

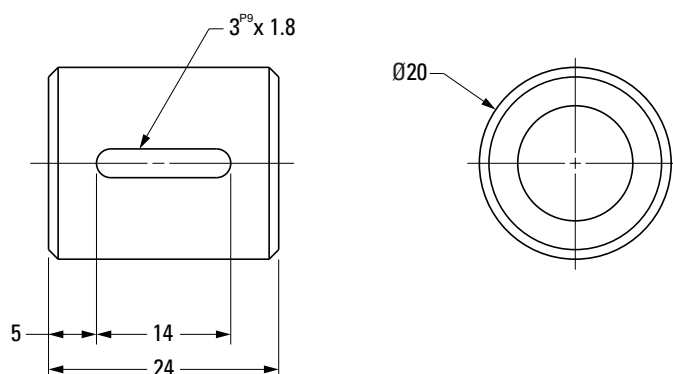


Note: Dimensional information for all End Journals and Bearing Supports is available on page 87 – 97. Information on required lubrication is on page 114.

Nominal Ball Screw Diameter	12 mm
Nominal Ball Screw Lead	5 mm
Thread Direction	Right Hand
Number of Thread Starts	1
Screw Material	CF53
Screw Weight	0.76 kg/m
Nominal Ball Diameter	5 mm
Lead Accuracy ⁽¹⁾ T7 Part Number	0220150

Ball screws can be cut to the length you require. Specify ball screw part number and overall length at time of order

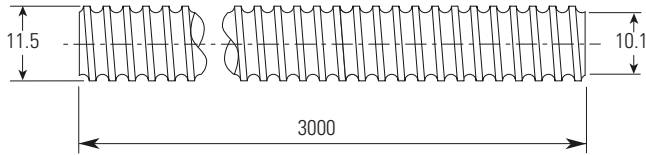
Cylindrical Ball Nut – KGM-N



Thread Direction	Right Hand
Nut Material	1.7131 (ESP 65)
Max. Load (Dynamic / Static)	4.4 kN / 6.8 kN
Number of Circuits	3
Torque to Raise 1 kN	0.885 Nm
Nut Weight	0.1 kg
Preload Classes ⁽²⁾	See order code on page 98
Standard max. Backlash	0.024 mm
Ball Return Type	Channel
Number of Balls	63
Wiper Type	N/A
Part Number	0215050250

Ø 12 x 10 mm – Ball Screws – Rolled

Ball Screw

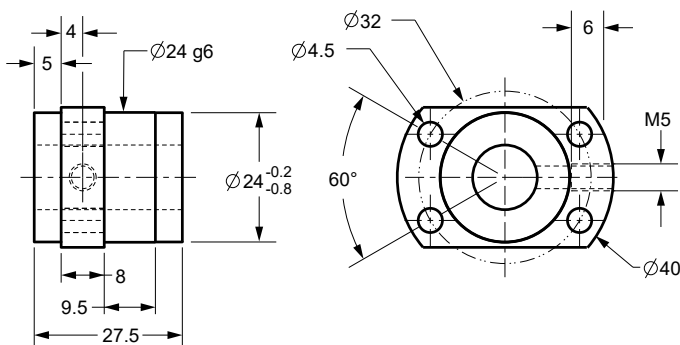


Note: Dimensional information for all End Journals and Bearing Supports is available on page 87 – 97. Information on required lubrication is on page 114.

Nominal Ball Screw Diameter	12 mm
Nominal Ball Screw Lead	10 mm
Thread Direction	Right Hand
Number of Thread Starts	2
Screw Material	CF53
Screw Weight	0.75 kg/m
Nominal Ball Diameter	2.0 mm
Lead Accuracy ⁽¹⁾ T7 Part Number	0205000224

Ball screws can be cut to the length you require. Specify ball screw part number and overall length at time of order

Flanged Ball Nut – KGF-D

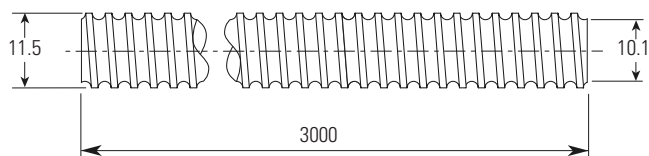


DIN 69051 Compliance

Thread Direction	Right Hand
Nut Material	1.7131 (ESP 65)
Max. Load (Dynamic / Static)	4.9 kN / 8.0 kN
Number of Circuits	4
Torque to Raise 1 kN	1.77 Nm
Nut Weight	0.1 kg
Preload Classes ⁽²⁾	See order code on page 98
Standard max. Backlash	0.024 mm
Ball Return Type	End Cap
Number of Balls	63
Wiper Type	Rubber
Part Number	0215200295

Ø 12 x 10 mm – Ball Screws – Rolled

Ball Screw

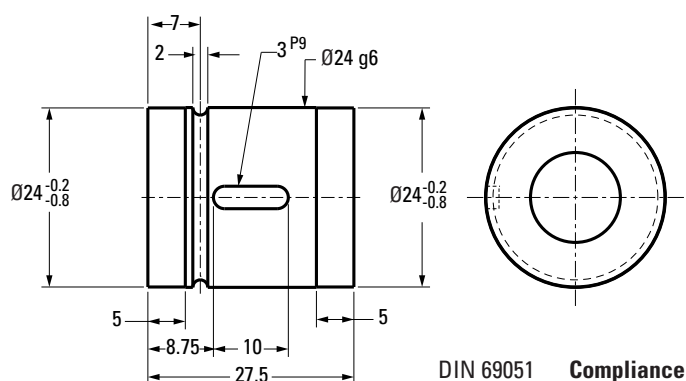


Note: Dimensional information for all End Journals and Bearing Supports is available on page 87 – 97. Information on required lubrication is on page 114.

Nominal Ball Screw Diameter	12 mm
Nominal Ball Screw Lead	10 mm
Thread Direction	Right Hand
Number of Thread Starts	2
Screw Material	CF53
Screw Weight	0.75 kg/m
Nominal Ball Diameter	2.0 mm
Lead Accuracy ⁽¹⁾ T7 Part Number	0205000224

Ball screws can be cut to the length you require. Specify ball screw part number and overall length at time of order

Cylindrical Ball Nut – KGM-D

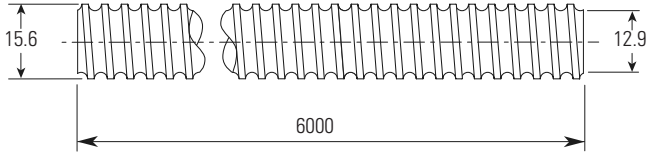


DIN 69051 Compliance

Thread Direction	Right Hand
Nut Material	1.7131 (ESP 65)
Max. Load (Dynamic / Static)	4.49 kN / 8.0 kN
Number of Circuits	4
Torque to Raise 1 kN	1.77 Nm
Nut Weight	0.1 kg
Preload Classes ⁽²⁾	See order code on page 98
Standard max. Backlash	0.024 mm
Ball Return Type	End Cap
Number of Balls	63
Wiper Type	None
Part Number	0215050328

Ø 16 x 5 mm – Ball Screws – Rolled

Ball Screw

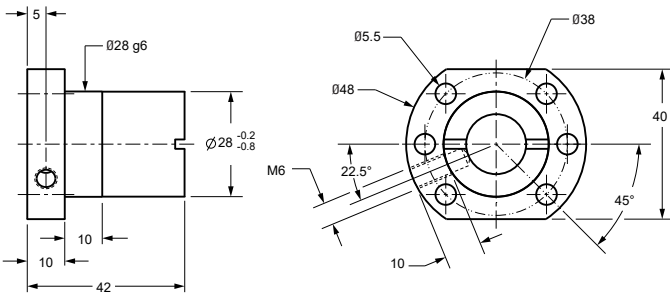


Note: Dimensional information for all End Journals and Bearing Supports is available on page 87 – 97. Information on required lubrication is on page 114.

Nominal Ball Screw Diameter	16 mm
Nominal Ball Screw Lead	5 mm
Thread Direction	Right Hand
Number of Thread Starts	1
Screw Material	CF53
Screw Weight	1.38 kg/m
Nominal Ball Diameter	3.5 mm
Lead Accuracy ⁽¹⁾ T7 Part Number	0220010

Ball screws can be cut to the length you require. Specify ball screw part number and overall length at time of order

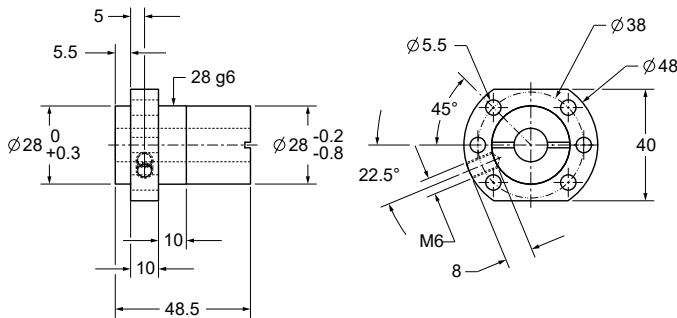
Flanged Ball Nut – KGF-D



DIN 69051 Compliance

Thread Direction	Right Hand
Nut Material	1.7131 (ESP 65)
Max. Load (Dynamic / Static)	9.3 kN / 13.1 kN
Number of Circuits	3
Torque to Raise 1 kN	0.885 Nm
Nut Weight	0.2 kg
Preload Classes ⁽²⁾	See order code on page 98
Standard max. Backlash	0.041 mm
Ball Return Type	Single Circuit Polymer
Number of Balls	45
Wiper Type	Rubber
Part Number	0215200048

Flanged Ball Nut – KGF-D (FK)

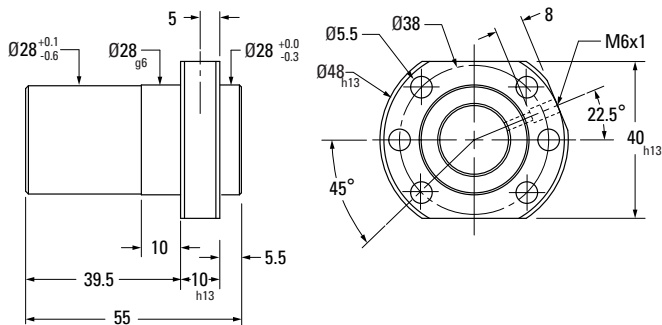


DIN 69051 Compliance

Thread Direction	Right Hand
Nut Material	1.7131 (ESP 65)
Max. Load (Dynamic / Static)	9.5 kN / 10.9 kN
Number of Circuits	3
Torque to Raise 1 kN	0.885 Nm
Nut Weight	0.3 kg
Preload Classes ⁽²⁾	See order code on page 98
Standard max. Backlash	0.041 mm
Ball Return Type	Single Circuit Metal
Number of Balls	42
Wiper Type	Polymer
Part Number	0215200269

Flanged Ball Nut – KGF-L (FL)

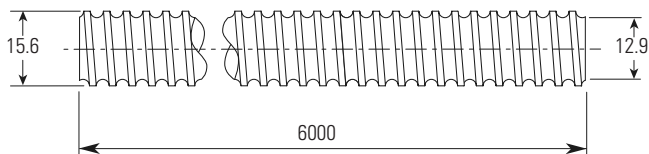
(can only be used with a P3 or P5 lead accuracy screw)



Thread Direction	Right Hand
Nut Material	
Max. Load (Dynamic / Static)	6.7 kN / 7.2 kN
Number of Circuits	2+2
Torque to Raise 1 kN	
Nut Weight	
Preload Classes ⁽²⁾	
Standard max. Backlash (Z0)	
Ball Return Type	EUS
Number of Balls	
Wiper Type	
Part Number	

Ø 16 x 5 mm – Ball Screws – Rolled

Ball Screw

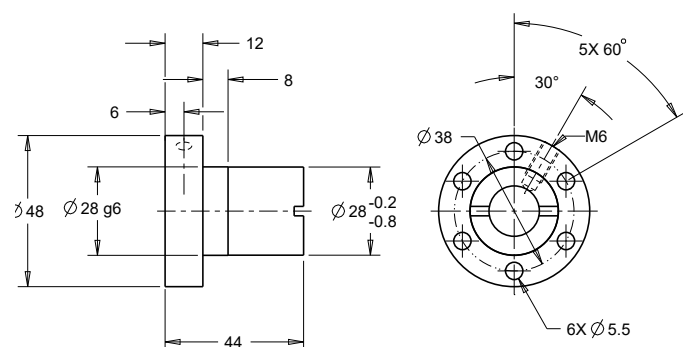


Note: Dimensional information for all End Journals and Bearing Supports is available on page 87 – 97. Information on required lubrication is on page 114.

Nominal Ball Screw Diameter	16 mm
Nominal Ball Screw Lead	5 mm
Thread Direction	Right Hand
Number of Thread Starts	1
Screw Material	CF53
Screw Weight	1.38 kg/m
Nominal Ball Diameter	3.5 mm
Lead Accuracy ⁽¹⁾ T7 Part Number	0220010

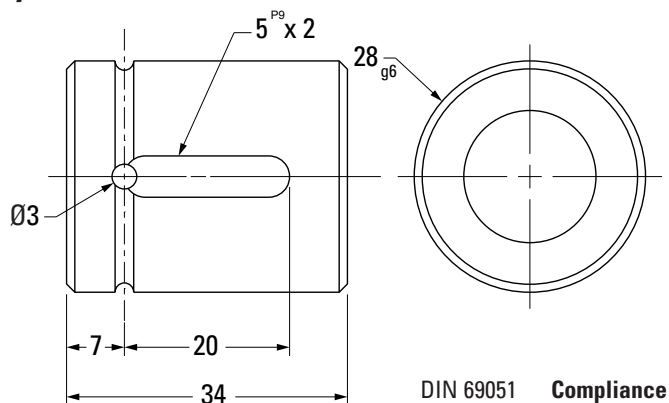
Ball screws can be cut to the length you require. Specify ball screw part number and overall length at time of order

Flanged Ball Nut – KGF-N



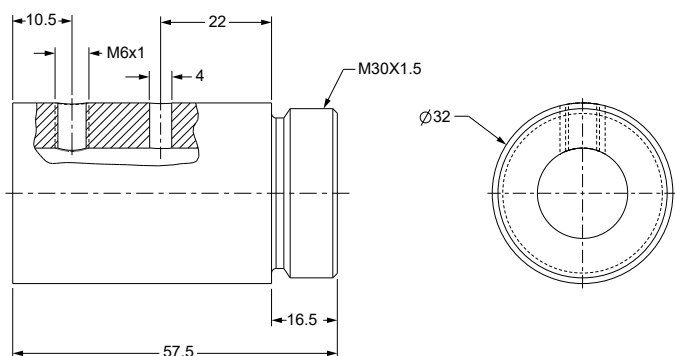
Thread Direction	Right Hand
Nut Material	1.7131 (ESP 65)
Max. Load (Dynamic / Static)	9.3 kN / 13.1 kN
Number of Circuits	3
Torque to Raise 1 kN	0.885 Nm
Nut Weight	0.2 kg
Preload Classes ⁽²⁾	See order code on page 98
Standard max. Backlash	0.041 mm
Ball Return Type	Single Circuit
Number of Balls	45
Wiper Type	Rubber
Part Number	0215200047

Cylindrical Ball Nut – KGM-D



Thread Direction	Right Hand
Nut Material	1.7131 (ESP 65)
Max. Load (Dynamic / Static)	9.3 kN / 13.1 kN
Number of Circuits	3
Torque to Raise 1 kN	0.885 Nm
Nut Weight	0.10 kg
Preload Classes ⁽²⁾	See order code on page 98
Standard max. Backlash	0.041 mm
Ball Return Type	Single Circuit
Number of Balls	45
Wiper Type	Polymer
Part Number	0215050112

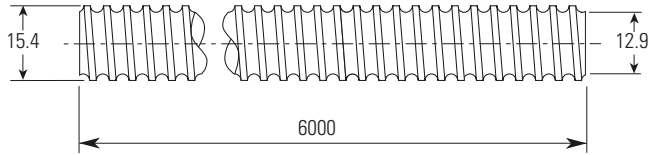
Threaded Ball Nut – KGM-G (ZG)



Thread Direction	Right Hand
Nut Material	1.7131 (ESP 65)
Max. Load (Dynamic / Static)	12.1 kN / 14.5 kN
Number of Circuits	4
Torque to Raise 1 kN	0.885 Nm
Nut Weight	0.22 kg
Preload Classes ⁽²⁾	See order code on page 98
Standard max. Backlash	0.041 mm
Ball Return Type	Single Circuit
Number of Balls	56
Wiper Type	Polymer
Part Number	0215050301

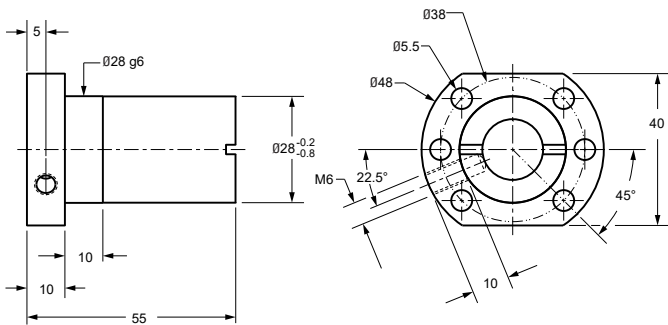
Ø 16 x 10 mm – Ball Screws – Rolled

Ball Screw



Note: Dimensional information for all End Journals and Bearing Supports is available on page 87 – 97. Information on required lubrication is on page 114.

Flanged Ball Nut – KGF-D



DIN 69051 Compliance

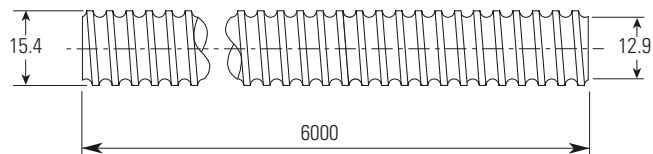
Nominal Ball Screw Diameter	16 mm
Nominal Ball Screw Lead	10 mm
Thread Direction	Right Hand
Number of Thread Starts	2
Screw Material	CF53
Screw Weight	1.26 kg/m
Nominal Ball Diameter	3.0 mm
Lead Accuracy ⁽¹⁾ T7 Part Number	0220256

Ball screws can be cut to the length you require. Specify ball screw part number and overall length at time of order

Thread Direction	Right Hand
Nut Material	1.7131 (ESP 65)
Max. Load (Dynamic / Static)	15.4 kN / 26.5 kN
Number of Circuits	6
Torque to Raise 1 kN	1.77 Nm
Nut Weight	0.3 kg
Preload Classes ⁽²⁾	See order code on page 98
Standard max. Backlash	0.041 mm
Ball Return Type	Channel
Number of Balls	102
Wiper Type	Rubber
Part Number	0215200168

Ø 16 x 10 mm – Ball Screws – Rolled

Ball Screw

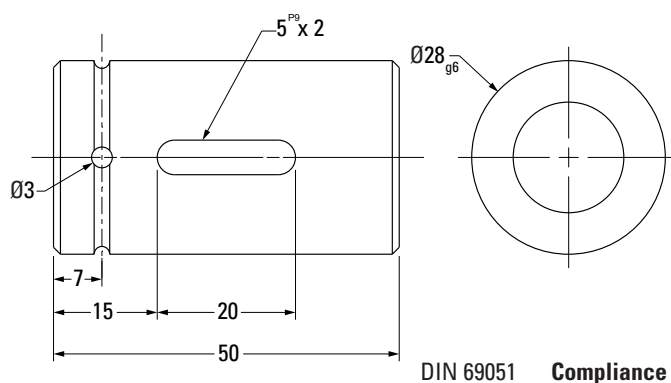


Note: Dimensional information for all End Journals and Bearing Supports is available on page 87 – 97. Information on required lubrication is on page 114.

Nominal Ball Screw Diameter	16 mm
Nominal Ball Screw Lead	10 mm
Thread Direction	Right Hand
Number of Thread Starts	2
Screw Material	CF53
Screw Weight	1.26 kg/m
Nominal Ball Diameter	3.0 mm
Lead Accuracy ⁽¹⁾ T7 Part Number	0220256

Ball screws can be cut to the length you require. Specify ball screw part number and overall length at time of order

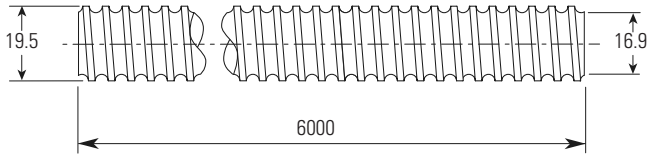
Cylindrical Ball Nut – KGM-D



Thread Direction	Right Hand
Nut Material	1.7131 (ESP 65)
Max. Load (Dynamic / Static)	15.4 kN / 26.5 kN
Number of Circuits	6
Torque to Raise 1 kN	1.77 Nm
Nut Weight	0.2 kg
Preload Classes ⁽²⁾	See order code on page 98
Standard max. Backlash	0.035 mm
Ball Return Type	Channel
Number of Balls	102
Wiper Type	Polymer
Part Number	0215050209

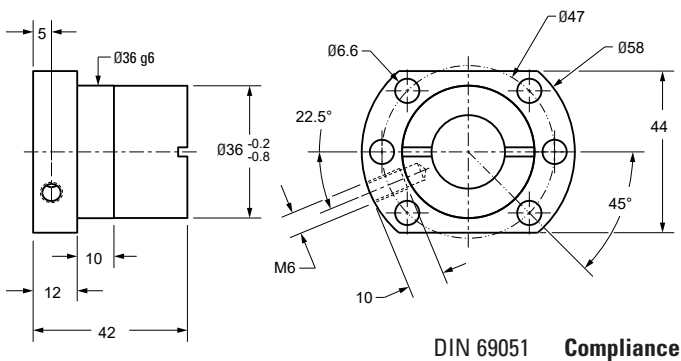
Ø 20 x 5 mm – Ball Screws – Rolled

Ball Screw

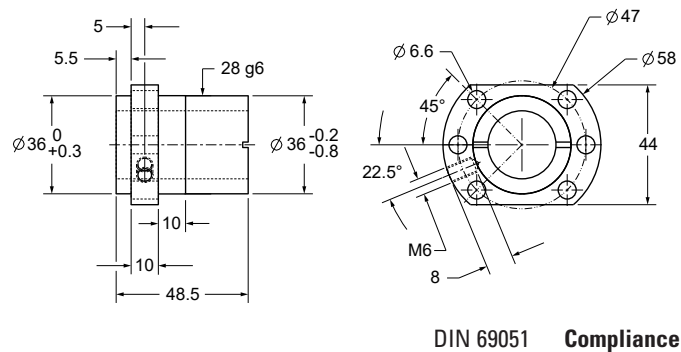


Note: Dimensional information for all End Journals and Bearing Supports is available on page 87 – 97. Information on required lubrication is on page 114.

Flanged Ball Nut – KGF-D

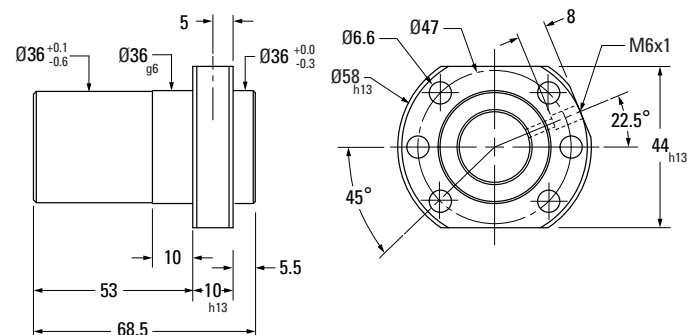


Flanged Ball Nut – KGF-D (FK)



Flanged Ball Nut – KGF-L (FL)

(can only be used with a P3 or P5 lead accuracy screw)



Nominal Ball Screw Diameter	20 mm
Nominal Ball Screw Lead	5 mm
Thread Direction	Right Hand
Number of Thread Starts	1
Screw Material	CF53
Screw Weight	2.20 kg/m
Nominal Ball Diameter	3.5 mm
Lead Accuracy ⁽¹⁾ T7 Part Number	0220148

Ball screws can be cut to the length you require. Specify ball screw part number and overall length at time of order

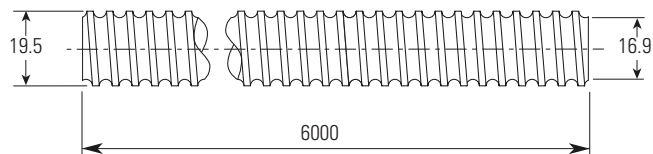
Thread Direction	Right Hand
Nut Material	1.7131 (ESP 65)
Max. Load (Dynamic / Static)	10.5 kN / 16.6 kN
Number of Circuits	3
Torque to Raise 1 kN	0.885 Nm
Nut Weight	0.25 kg
Preload Classes ⁽²⁾	See order code on page 98
Standard max. Backlash	0.035 mm
Ball Return Type	Channel
Number of Balls	48
Wiper Type	Rubber
Part Number	0215200185

Thread Direction	Right Hand
Nut Material	1.7131 (ESP 65)
Max. Load (Dynamic / Static)	11.5 kN / 15.5 kN
Number of Circuits	3
Torque to Raise 1 kN	0.885 Nm
Nut Weight	0.4 kg
Preload Classes ⁽²⁾	See order code on page 98
Standard max. Backlash	0.041 mm
Ball Return Type	Single Circuit Metal
Number of Balls	54
Wiper Type	Polymer
Part Number	0215200271

Thread Direction	Right Hand
Nut Material	
Max. Load (Dynamic / Static)	11.5 kN / 15.5 kN
Number of Circuits	3+3
Torque to Raise 1 kN	
Nut Weight	
Preload Classes ⁽²⁾	
Standard max. Backlash (Z0)	
Ball Return Type	EUS
Number of Balls	
Wiper Type	
Part Number	

Ø 20 x 5 mm – Ball Screws – Rolled

Ball Screw

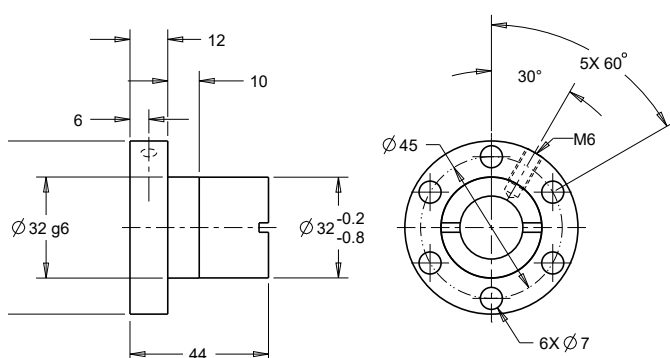


Note: Dimensional information for all End Journals and Bearing Supports is available on page 87 – 97. Information on required lubrication is on page 114.

Nominal Ball Screw Diameter	20 mm
Nominal Ball Screw Lead	5 mm
Thread Direction	Right Hand
Number of Thread Starts	1
Screw Material	CF53
Screw Weight	2.20 kg/m
Nominal Ball Diameter	3.5 mm
Lead Accuracy ⁽¹⁾ T7 Part Number	0220148

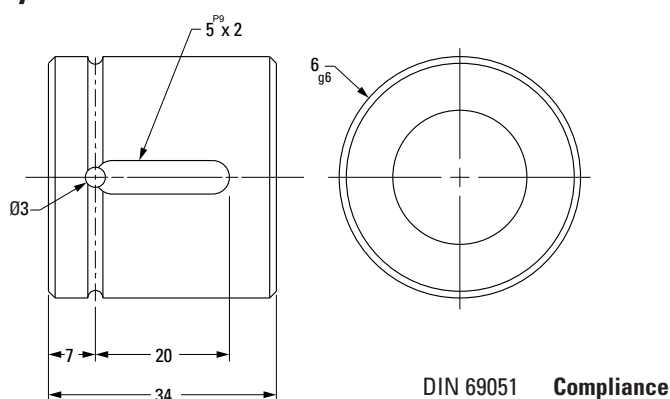
Ball screws can be cut to the length you require. Specify ball screw part number and overall length at time of order

Flanged Ball Nut – KGF-N



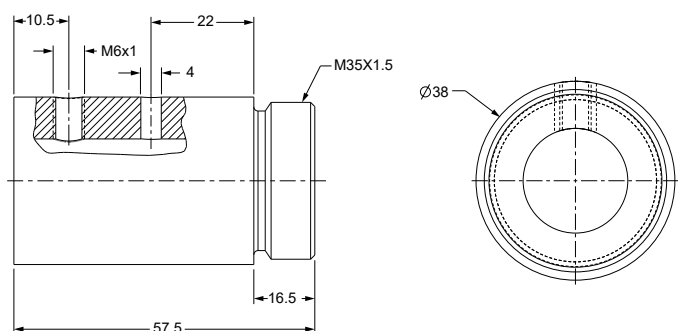
Thread Direction	Right Hand
Nut Material	1.7131 (ESP 65)
Max. Load (Dynamic / Static)	10.5 kN / 16.6 kN
Number of Circuits	3
Torque to Raise 1 kN	0.885 Nm
Nut Weight	0.25 kg
Preload Classes ⁽²⁾	See order code on page 98
Standard max. Backlash	0.041 mm
Ball Return Type	Single Circuit
Number of Balls	48
Wiper Type	Rubber
Part Number	0215200049

Cylindrical Ball Nut – KGM-D



Thread Direction	Right Hand
Nut Material	1.7131 (ESP 65)
Max. Load (Dynamic / Static)	10.5 kN / 16.6 kN
Number of Circuits	3
Torque to Raise 1 kN	0.885 Nm
Nut Weight	0.2 kg
Preload Classes ⁽²⁾	See order code on page 98
Standard max. Backlash	0.041 mm
Ball Return Type	Channel
Number of Balls	48
Wiper Type	Polymer
Part Number	0215050258

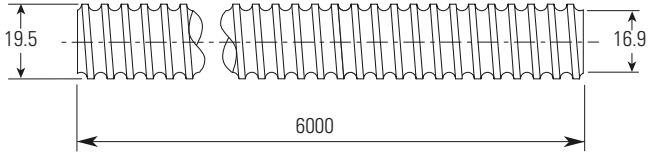
Threaded Ball Nut – KGM-G (ZG)



Thread Direction	Right Hand
Nut Material	1.7131 (ESP 65)
Max. Load (Dynamic / Static)	14.8 kN / 20.7 kN
Number of Circuits	4
Torque to Raise 1 kN	0.885 Nm
Nut Weight	0.3 kg
Preload Classes ⁽²⁾	See order code on page 98
Standard max. Backlash	0.041 mm
Ball Return Type	Single Circuit
Number of Balls	72
Wiper Type	Polymer
Part Number	0215050307

Ø 20 x 5 mm – Ball Screws – Rolled

Ball Screw

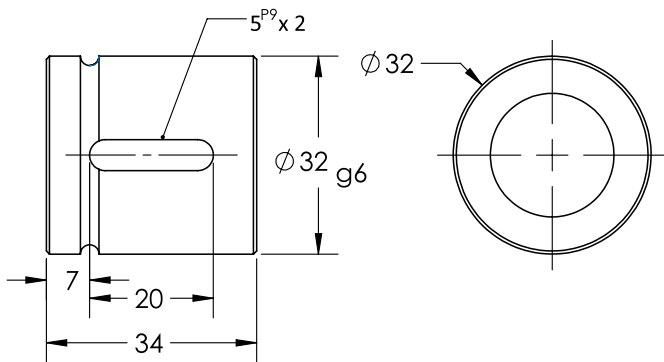


Note: Dimensional information for all End Journals and Bearing Supports is available on page 87 – 97. Information on required lubrication is on page 114.

Nominal Ball Screw Diameter	20 mm
Nominal Ball Screw Lead	5 mm
Thread Direction	Right Hand
Number of Thread Starts	1
Screw Material	CF53
Screw Weight	2.20 kg/m
Nominal Ball Diameter	3.5 mm
Lead Accuracy ⁽¹⁾ T7 Part Number	0220148

Ball screws can be cut to the length you require. Specify ball screw part number and overall length at time of order

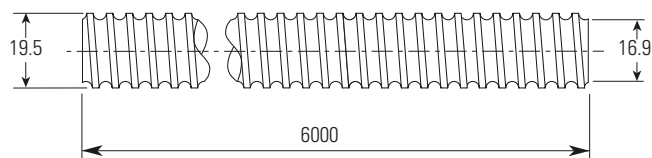
Cylindrical Ball Nut – KGM-N



Thread Direction	Right Hand
Nut Material	1.7131 (ESP 65)
Max. Load (Dynamic / Static)	10.5 kN / 16.6 kN
Number of Circuits	3
Torque to Raise 1 kN	0.885 Nm
Nut Weight	0.10 kg
Preload Classes ⁽²⁾	See order code on page 98
Standard max. Backlash	0.041 mm
Ball Return Type	Single Circuit Metal
Number of Balls	48
Wiper Type	Rubber
Part Number	0215050115

Ø 20 x 20 mm – Ball Screws – Rolled

Ball Screw

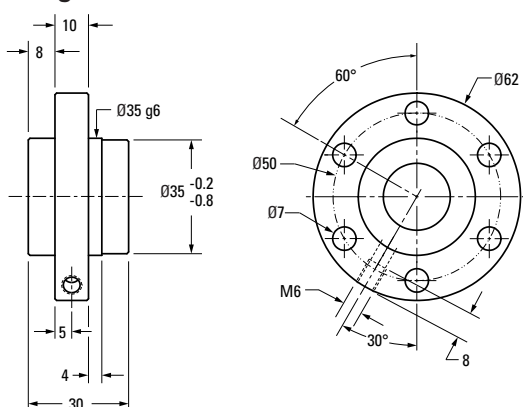


Note: Dimensional information for all End Journals and Bearing Supports is available on page 87 – 97. Information on required lubrication is on page 114.

Nominal Ball Screw Diameter	20 mm
Nominal Ball Screw Lead	20 mm
Thread Direction	Right Hand
Number of Thread Starts	4
Screw Material	CF53
Screw Weight	2.23 kg/m
Nominal Ball Diameter	3.5 mm
Lead Accuracy ⁽¹⁾ T7 Part Number	0220039

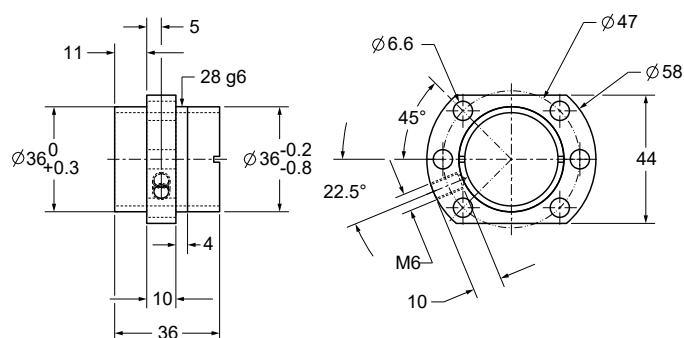
Ball screws can be cut to the length you require. Specify ball screw part number and overall length at time of order

Flanged Ball Nut – KGF-N



Thread Direction	Right Hand
Nut Material	1.7131 (ESP 65)
Max. Load (Dynamic / Static)	11.6 kN / 18.4 kN
Number of Circuits	4
Torque to Raise 1 kN	3.54 Nm
Nut Weight	0.3 kg
Preload Classes ⁽²⁾	See order code on page 98
Standard max. Backlash	0.041 mm
Ball Return Type	End Cap
Number of Balls	100
Wiper Type	Rubber
Part Number	0215200181

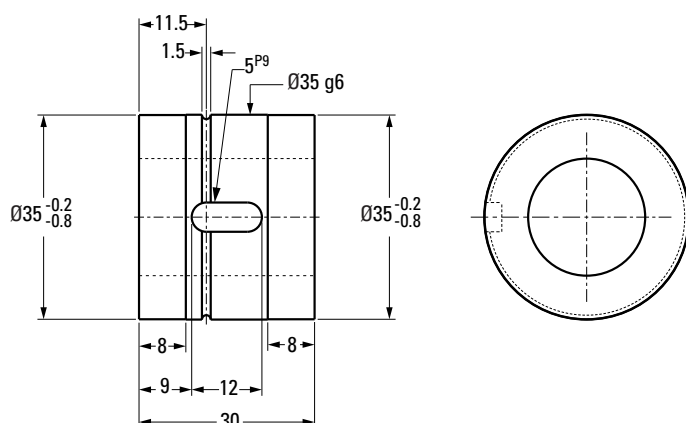
Flanged Ball Nut – KGF-D (FH)



DIN 69051 Compliance

Thread Direction	Right Hand
Nut Material	1.7131 (ESP 65)
Max. Load (Dynamic / Static)	10.8 kN / 17.5 kN
Number of Circuits	2.8
Torque to Raise 1 kN	3.54 Nm
Nut Weight	0.5 kg
Preload Classes ⁽²⁾	See order code on page 98
Standard max. Backlash	0.041 mm
Ball Return Type	End Cap
Number of Balls	100
Wiper Type	Polymer
Part Number	0215200228

Cylindrical Ball Nut – KGM-N



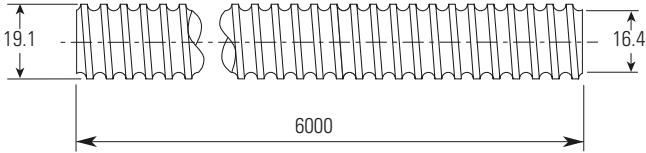
Thread Direction	Right Hand
Nut Material	1.7131 (ESP 65)
Max. Load (Dynamic / Static)	11.6 kN / 18.4 kN
Number of Circuits	4
Torque to Raise 1 kN	3.54 Nm
Nut Weight	0.2 kg
Preload Classes ⁽²⁾	See order code on page 98
Standard max. Backlash	0.041 mm
Ball Return Type	End Cap
Number of Balls	100
Wiper Type	Polymer
Part Number	0215050239

(1) P3 = 12 µm / 300 mm, P5 = 23 µm / 300 mm, T5 = 23 µm / 300 mm, T7 = 52 µm / 300 mm

(2) Please ask Thomson Customer Service for available preload options

Ø 20 x 50 mm – Ball Screws – Rolled

Ball Screw

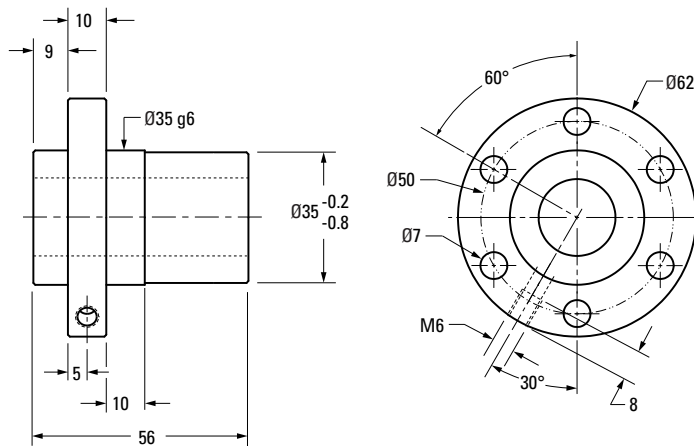


Note: Dimensional information for all End Journals and Bearing Supports is available on page 87 – 97. Information on required lubrication is on page 114.

Nominal Ball Screw Diameter	20 mm
Nominal Ball Screw Lead	50 mm
Thread Direction	Right Hand
Number of Thread Starts	5
Screw Material	CF53
Screw Weight	2.05 kg/m
Nominal Ball Diameter	3.5 mm
Lead Accuracy ⁽¹⁾ T7 Part Number	0220213

Ball screws can be cut to the length you require. Specify ball screw part number and overall length at time of order

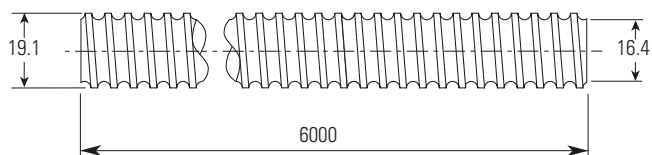
Flanged Ball Nut – KGF-N



Thread Direction	Right Hand
Nut Material	1.7131 (ESP 65)
Max. Load (Dynamic / Static)	13.0 kN / 24.6 kN
Number of Circuits	5
Torque to Raise 1 kN	8.85 Nm
Nut Weight	0.4 kg
Preload Classes ⁽²⁾	See order code on page 98
Standard max. Backlash	0.041 mm
Ball Return Type	End Cap
Number of Balls	140
Wiper Type	Rubber
Part Number	0215200211

Ø 20 x 50 mm – Ball Screws – Rolled

Ball Screw

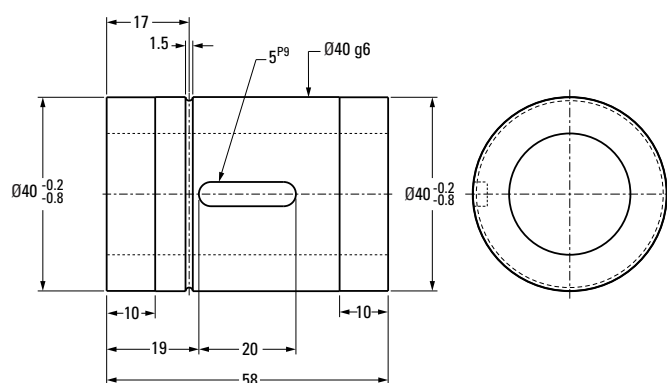


Note: Dimensional information for all End Journals and Bearing Supports is available on page 87 – 97. Information on required lubrication is on page 114.

Nominal Ball Screw Diameter	20 mm
Nominal Ball Screw Lead	50 mm
Thread Direction	Right Hand
Number of Thread Starts	5
Screw Material	CF53
Screw Weight	2.05 kg/m
Nominal Ball Diameter	3.5 mm
Lead Accuracy ⁽¹⁾ T7 Part Number	0220213

Ball screws can be cut to the length you require. Specify ball screw part number and overall length at time of order

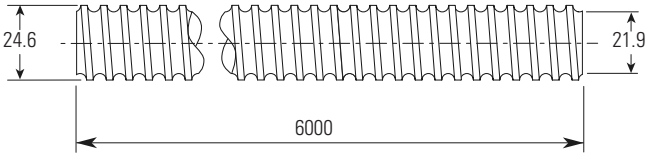
Cylindrical Ball Nut – KGM-N



Thread Direction	Right Hand
Nut Material	1.7131 (ESP 65)
Max. Load (Dynamic / Static)	13.0 kN / 24.6 kN
Number of Circuits	5
Torque to Raise 1 kN	8.85 Nm
Nut Weight	0.3 kg
Preload Classes ⁽²⁾	See order code on page 98
Standard max. Backlash	0.041 mm
Ball Return Type	End Cap
Number of Balls	140
Wiper Type	Rubber
Part Number	0215050279

Ø 25 x 5 mm – Ball Screws – Rolled

Ball Screw

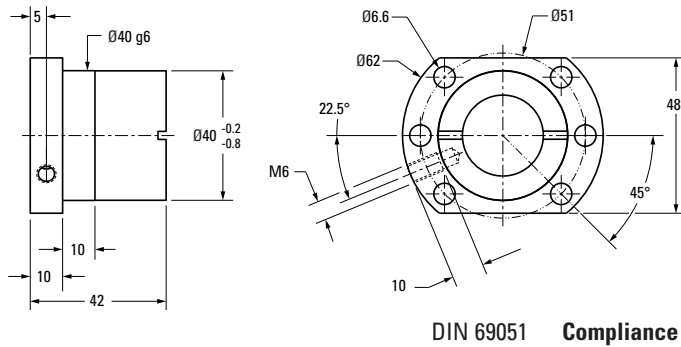


Note: Dimensional information for all End Journals and Bearing Supports is available on page 87 – 97. Information on required lubrication is on page 114.

Nominal Ball Screw Diameter	25 mm
Nominal Ball Screw Lead	5 mm
Thread Direction	Right Hand
Number of Thread Starts	1
Screw Material	CF53
Screw Weight	3.32 kg/m
Nominal Ball Diameter	3.5 mm
Lead Accuracy ⁽¹⁾ T7 Part Number	0205000253

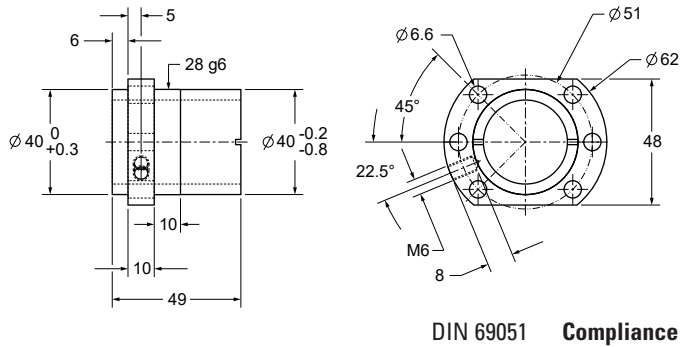
Ball screws can be cut to the length you require. Specify ball screw part number and overall length at time of order

Flanged Ball Nut – KGF-D



Thread Direction	Right Hand
Nut Material	1.7131 (ESP 65)
Max. Load (Dynamic / Static)	12.3 kN / 22.5 kN
Number of Circuits	3
Torque to Raise 1 kN	0.885 Nm
Nut Weight	0.4 kg
Preload Classes ⁽²⁾	See order code on page 98
Standard max. Backlash	0.041 mm
Ball Return Type	Single Circuit
Number of Balls	63
Wiper Type	Rubber
Part Number	0215200051

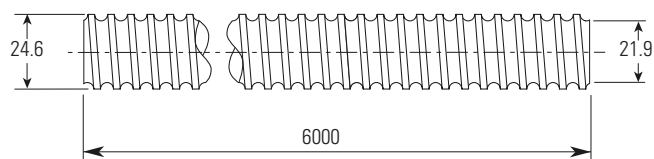
Flanged Ball Nut – KGF-D (FK)



Thread Direction	Right Hand
Nut Material	1.7131 (ESP 65)
Max. Load (Dynamic / Static)	13.1 kN / 20.2 kN
Number of Circuits	3
Torque to Raise 1 kN	0.885 Nm
Nut Weight	0.4 kg
Preload Classes ⁽²⁾	See order code on page 98
Standard max. Backlash	0.041 mm
Ball Return Type	Single Circuit Metal
Number of Balls	66
Wiper Type	Polymer
Part Number	0215200273

Ø 25 x 5 mm – Ball Screws – Rolled

Ball Screw



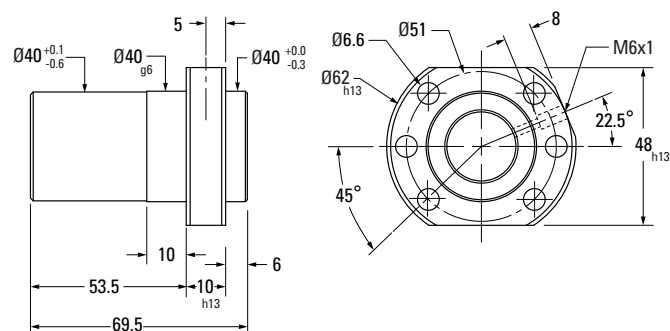
Note: Dimensional information for all End Journals and Bearing Supports is available on page 87 – 97. Information on required lubrication is on page 114.

Nominal Ball Screw Diameter	25 mm
Nominal Ball Screw Lead	5 mm
Thread Direction	Right Hand
Number of Thread Starts	1
Screw Material	CF53
Screw Weight	3.32 kg/m
Nominal Ball Diameter	3.5 mm
Lead Accuracy ⁽¹⁾ T7 Part Number	0205000253

Ball screws can be cut to the length you require. Specify ball screw part number and overall length at time of order

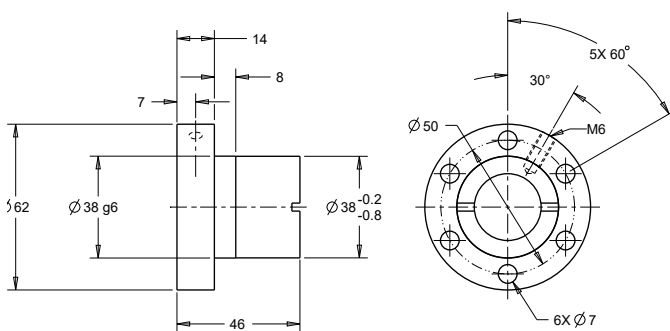
Flanged Ball Nut – KGF-L (FL)

(can only be used with a P3 or P5 lead accuracy screw)



Thread Direction	Right Hand
Nut Material	1.7131 (ESP 65)
Max. Load (Dynamic / Static)	12.6 kN / 19.1 kN
Number of Circuits	3+3
Torque to Raise 1 kN	
Nut Weight	
Preload Classes ⁽²⁾	
Standard max. Backlash (Z0)	
Ball Return Type	EUS
Number of Balls	
Wiper Type	
Part Number	Only available as screw assembly

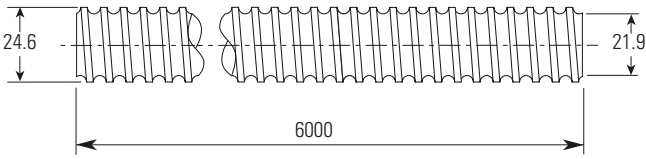
Flanged Ball Nut – KGF-N



Thread Direction	Right Hand
Nut Material	1.7131 (ESP 65)
Max. Load (Dynamic / Static)	12.3 kN / 22.5 kN
Number of Circuits	3
Torque to Raise 1 kN	0.885 Nm
Nut Weight	0.4 kg
Preload Classes ⁽²⁾	See order code on page 98
Standard max. Backlash	0.041 mm
Ball Return Type	Single Circuit
Number of Balls	63
Wiper Type	Rubber
Part Number	0215200050

Ø 25 x 5 mm – Ball Screws – Rolled

Ball Screw

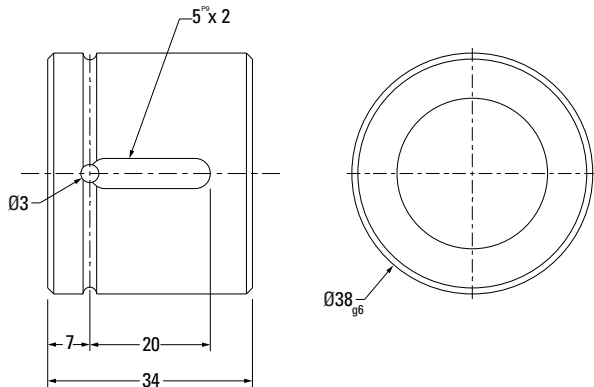


Note: Dimensional information for all End Journals and Bearing Supports is available on page 87 – 97. Information on required lubrication is on page 114.

Nominal Ball Screw Diameter	25 mm
Nominal Ball Screw Lead	5 mm
Thread Direction	Right Hand
Number of Thread Starts	1
Screw Material	CF53
Screw Weight	3.32 kg/m
Nominal Ball Diameter	3.5 mm
Lead Accuracy ⁽¹⁾ T7 Part Number	0205000253

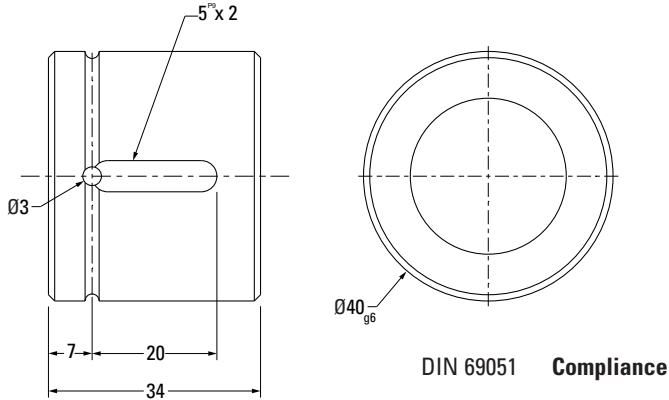
Ball screws can be cut to the length you require. Specify ball screw part number and overall length at time of order

Cylindrical Ball Nut – KGM-N



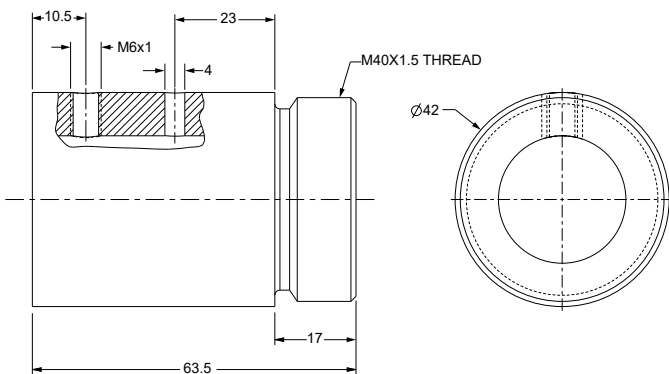
Thread Direction	Right Hand
Nut Material	1.7131 (ESP 65)
Max. Load (Dynamic / Static)	12.3 kN / 22.5 kN
Number of Circuits	3
Torque to Raise 1 kN	0.885 Nm
Nut Weight	0,150 kg
Preload Classes ⁽²⁾	See order code on page 98
Standard max. Backlash (Z0)	0.041 mm
Ball Return Type	End Cap
Number of Balls	63
Wiper Type	Rubber
Part Number	0215050113

Cylindrical Ball Nut – KGM-D



Thread Direction	Right Hand
Nut Material	1.7131 (ESP 65)
Max. Load (Dynamic / Static)	12.3 kN / 22.5 kN
Number of Circuits	3
Torque to Raise 1 kN	0.885 Nm
Nut Weight	0.2 kg
Preload Classes ⁽²⁾	See order code on page 98
Standard max. Backlash	0.090 mm
Ball Return Type	Single Circuit
Number of Balls	63
Wiper Type	Rubber
Part Number	0215050114

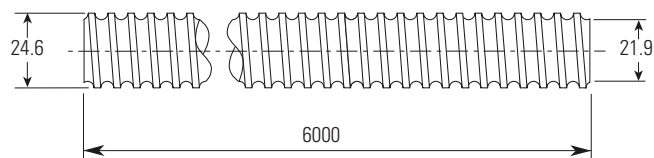
Threaded Ball Nut – KGM-G (ZG)



Thread Direction	Right Hand
Nut Material	1.7131 (ESP 65)
Max. Load (Dynamic / Static)	20.4 kN / 33.7 kN
Number of Circuits	5
Torque to Raise 1 kN	0.885 Nm
Nut Weight	0.2 kg
Preload Classes ⁽²⁾	See order code on page 98
Standard max. Backlash	0.090 mm
Ball Return Type	Single Circuit
Number of Balls	110
Wiper Type	Polymer
Part Number	0215050309

Ø 25 x 10 mm – Ball Screws – Rolled

Ball Screw

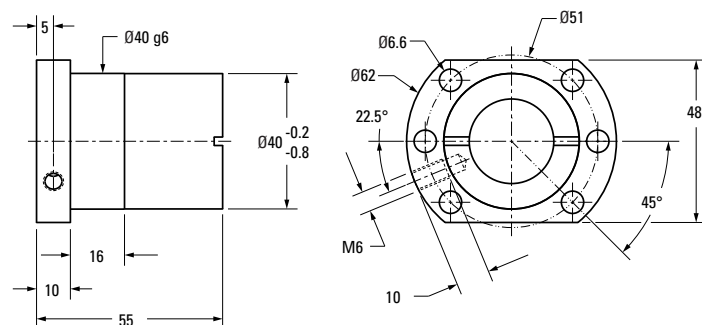


Note: Dimensional information for all End Journals and Bearing Supports is available on page 87 – 97. Information on required lubrication is on page 114.

Nominal Ball Screw Diameter	25 mm
Nominal Ball Screw Lead	10 mm
Thread Direction	Right Hand
Number of Thread Starts	2
Screw Material	CF53
Screw Weight	3.34 kg/m
Nominal Ball Diameter	3.5 mm
Lead Accuracy ⁽¹⁾ T7 Part Number	0220144

Ball screws can be cut to the length you require. Specify ball screw part number and overall length at time of order

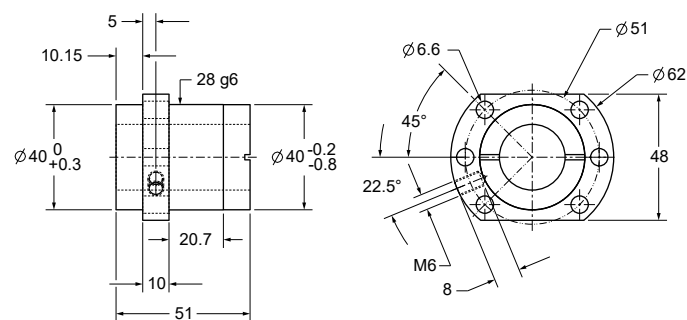
Flanged Ball Nut – KGF-D



DIN 69051 Compliance

Thread Direction	Right Hand
Nut Material	1.7131 (ESP 65)
Max. Load (Dynamic / Static)	13.2 kN / 25.3 kN
Number of Circuits	3
Torque to Raise 1 kN	1.77 Nm
Nut Weight	0.5 kg
Preload Classes ⁽²⁾	See order code on page 98
Standard max. Backlash	0.041 mm
Ball Return Type	Channel
Number of Balls	75
Wiper Type	Rubber
Part Number	0215200175

Flanged Ball Nut – KGF-D (FH)

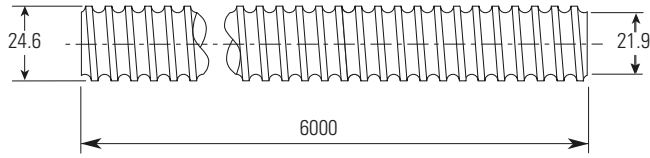


DIN 69051 Compliance

Thread Direction	Right Hand
Nut Material	1.7131 (ESP 65)
Max. Load (Dynamic / Static)	24.7 kN / 53.4 kN
Number of Circuits	6.1
Torque to Raise 1 kN	1.77 Nm
Nut Weight	0.5 kg
Preload Classes ⁽²⁾	See order code on page 98
Standard max. Backlash	0.041 mm
Ball Return Type	End Cap
Number of Balls	164
Wiper Type	Polymer
Part Number	0215200243

Ø 25 x 10 mm – Ball Screws – Rolled

Ball Screw

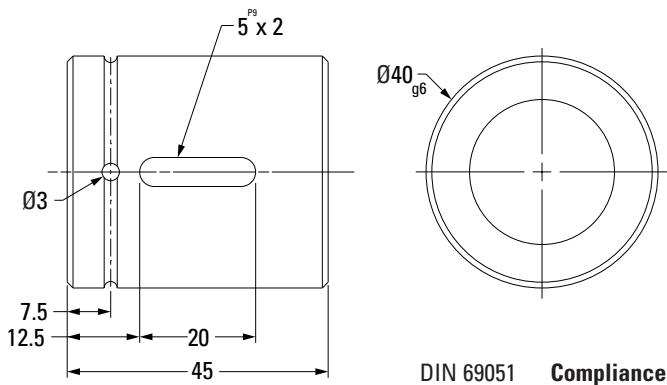


Note: Dimensional information for all End Journals and Bearing Supports is available on page 87 – 97. Information on required lubrication is on page 114.

Nominal Ball Screw Diameter	25 mm
Nominal Ball Screw Lead	10 mm
Thread Direction	Right Hand
Number of Thread Starts	2
Screw Material	CF53
Screw Weight	3.34 kg/m
Nominal Ball Diameter	3.5 mm
Lead Accuracy ⁽¹⁾ T7 Part Number	0220144

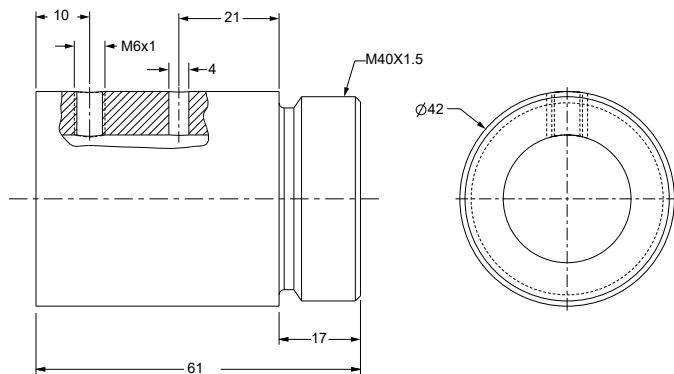
Ball screws can be cut to the length you require. Specify ball screw part number and overall length at time of order

Cylindrical Ball Nut – KGM-D



Thread Direction	Right Hand
Nut Material	1.7131 (ESP 65)
Max. Load (Dynamic / Static)	13.2 kN / 25.3 kN
Number of Circuits	3
Torque to Raise 1 kN	1.77 Nm
Nut Weight	0.24 kg
Preload Classes ⁽²⁾	See order code on page 98
Standard max. Backlash	0.041 mm
Ball Return Type	Channel
Number of Balls	75
Wiper Type	Rubber
Part Number	0215050245

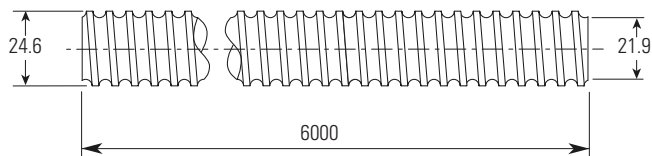
Threaded Ball Nut – KGM-G (ZG)



Thread Direction	Right Hand
Nut Material	1.7131 (ESP 65)
Max. Load (Dynamic / Static)	19.9 kN / 31.8 kN
Number of Circuits	6
Torque to Raise 1 kN	1.77 Nm
Nut Weight	0.4 kg
Preload Classes ⁽²⁾	See order code on page 98
Standard max. Backlash	0.041 mm
Ball Return Type	Multi Circuit
Number of Balls	55
Wiper Type	Polymer
Part Number	0215050317

Ø 25 x 20 mm – Ball Screws – Rolled

Ball Screw

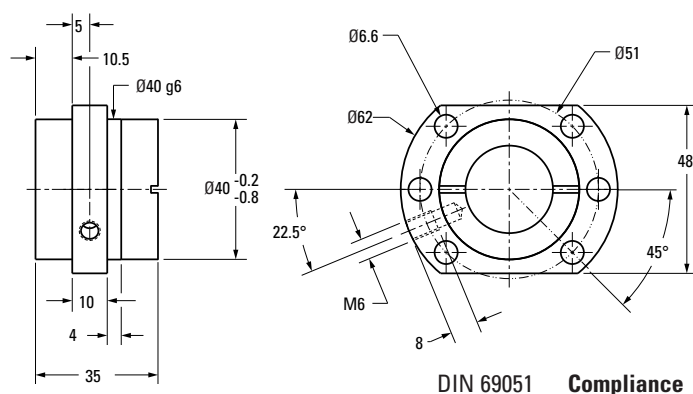


Note: Dimensional information for all End Journals and Bearing Supports is available on page 87 – 97. Information on required lubrication is on page 114.

Nominal Ball Screw Diameter	25 mm
Nominal Ball Screw Lead	20 mm
Thread Direction	Right Hand
Number of Thread Starts	4
Screw Material	CF53
Screw Weight	3.32 kg/m
Nominal Ball Diameter	3.5 mm
Lead Accuracy ⁽¹⁾ T7 Part Number	0220319

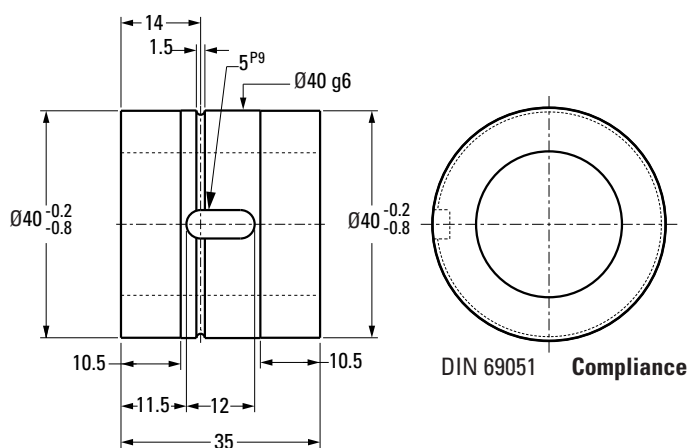
Ball screws can be cut to the length you require. Specify ball screw part number and overall length at time of order

Flanged Ball Nut – KGF-D



Thread Direction	Right Hand
Nut Material	1.7131 (ESP 65)
Max. Load (Dynamic / Static)	13.0 kN / 23.3 kN
Number of Circuits	4
Torque to Raise 1 kN	3.54 Nm
Nut Weight	0.3 kg
Preload Classes ⁽²⁾	See order code on page 98
Standard max. Backlash	0.041 mm
Ball Return Type	End Cap
Number of Balls	80
Wiper Type	Rubber
Part Number	0215200200

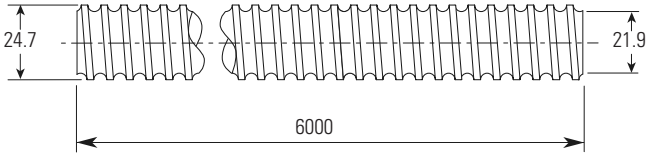
Cylindrical Ball Nut – KGM-D



Thread Direction	Right Hand
Nut Material	1.7131 (ESP 65)
Max. Load (Dynamic / Static)	13.0 kN / 23.3 kN
Number of Circuits	4
Torque to Raise 1 kN	3.54 Nm
Nut Weight	0.2 kg
Preload Classes ⁽²⁾	See order code on page 98
Standard max. Backlash	0.041 mm
Ball Return Type	End Cap
Number of Balls	80
Wiper Type	Rubber
Part Number	0215050268

Ø 25 x 25 mm – Ball Screws – Rolled

Ball Screw

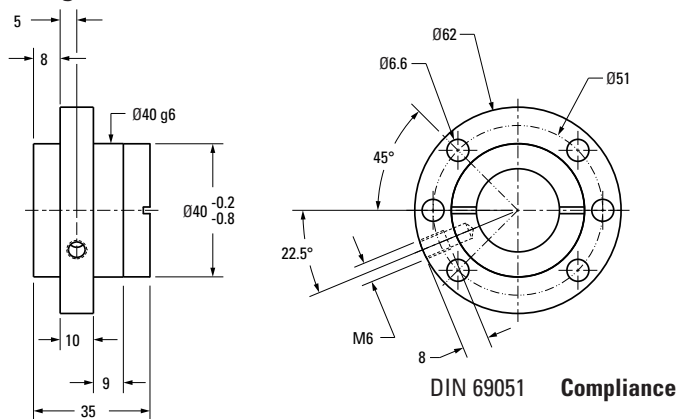


Note: Dimensional information for all End Journals and Bearing Supports is available on page 87 – 97. Information on required lubrication is on page 114.

Nominal Ball Screw Diameter	25 mm
Nominal Ball Screw Lead	25 mm
Thread Direction	Right Hand
Number of Thread Starts	5
Screw Material	CF53
Screw Weight	3.4 kg/m
Nominal Ball Diameter	3.5 mm
Lead Accuracy ⁽¹⁾ T7 Part Number	0220255

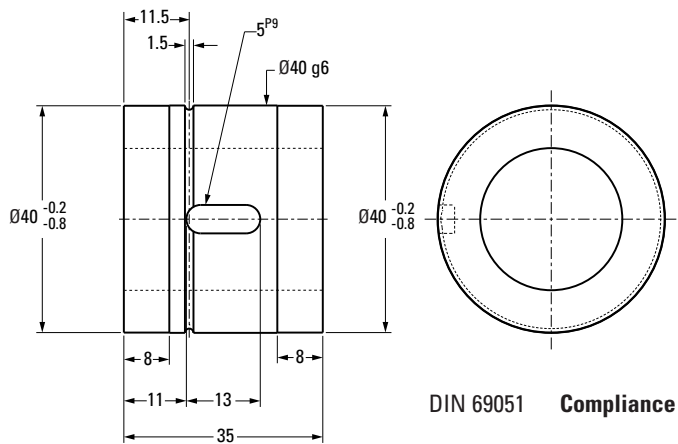
Ball screws can be cut to the length you require. Specify ball screw part number and overall length at time of order

Flanged Ball Nut – KGF-D



Thread Direction	Right Hand
Nut Material	1.7131 (ESP 65)
Max. Load (Dynamic / Static)	16.7 kN / 32.2 kN
Number of Circuits	5
Torque to Raise 1 kN	4.43 Nm
Nut Weight	0.7 kg
Preload Classes ⁽²⁾	See order code on page 98
Standard max. Backlash	0.041 mm
Ball Return Type	End Cap
Number of Balls	130
Wiper Type	Rubber
Part Number	0215200201

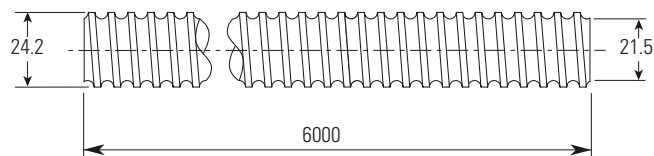
Cylindrical Ball Nut – KGM-D



Thread Direction	Right Hand
Nut Material	1.7131 (ESP 65)
Max. Load (Dynamic / Static)	16.7 kN / 32.2 kN
Number of Circuits	5
Torque to Raise 1 kN	4.43 Nm
Nut Weight	0.5 kg
Preload Classes ⁽²⁾	See order code on page 98
Standard max. Backlash	0.041 mm
Ball Return Type	End Cap
Number of Balls	130
Wiper Type	Rubber
Part Number	0215050252

Ø 25 x 50 mm – Ball Screws – Rolled

Ball Screw

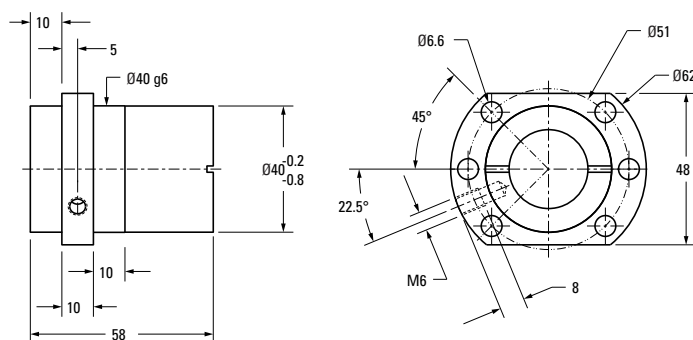


Note: Dimensional information for all End Journals and Bearing Supports is available on page 87 – 97. Information on required lubrication is on page 114.

Nominal Ball Screw Diameter	25 mm
Nominal Ball Screw Lead	50 mm
Thread Direction	Right Hand
Number of Thread Starts	5
Screw Material	CF53
Screw Weight	3.37 kg/m
Nominal Ball Diameter	3.5 mm
Lead Accuracy ⁽¹⁾ T7 Part Number	0220322

Ball screws can be cut to the length you require. Specify ball screw part number and overall length at time of order

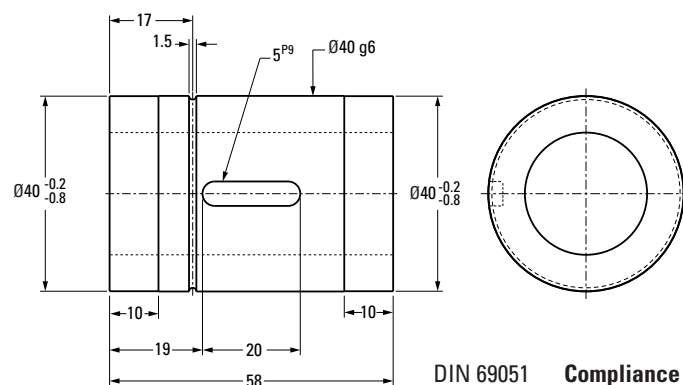
Flanged Ball Nut – KGF-D



DIN 69051 Compliance

Thread Direction	Right Hand
Nut Material	1.7131 (ESP 65)
Max. Load (Dynamic / Static)	15.4 kN / 31.7 kN
Number of Circuits	5
Torque to Raise 1 kN	8.85 Nm
Nut Weight	0.4 kg
Preload Classes ⁽²⁾	See order code on page 98
Standard max. Backlash	0.041 mm
Ball Return Type	End Cap
Number of Balls	130
Wiper Type	Rubber
Part Number	0215200195

Cylindrical Ball Nut – KGM-D

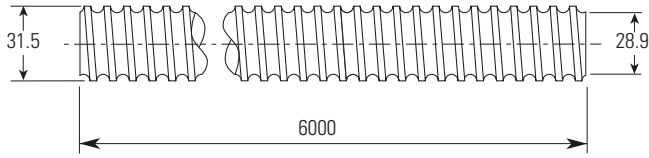


DIN 69051 Compliance

Thread Direction	Right Hand
Nut Material	1.7131 (ESP 65)
Max. Load (Dynamic / Static)	15.4 kN / 31.7 kN
Number of Circuits	5
Torque to Raise 1 kN	8.85 Nm
Nut Weight	0.3 kg
Preload Classes ⁽²⁾	See order code on page 98
Standard max. Backlash	0.041 mm
Ball Return Type	End Cap
Number of Balls	130
Wiper Type	Rubber
Part Number	0215050263

Ø 32 x 5 mm – Ball Screws – Rolled

Ball Screw

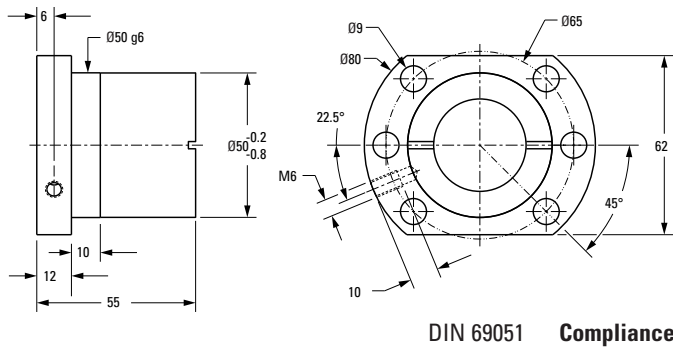


Note: Dimensional information for all End Journals and Bearing Supports is available on page 87 – 97. Information on required lubrication is on page 114.

Nominal Ball Screw Diameter	32 mm
Nominal Ball Screw Lead	5 mm
Thread Direction	Right Hand
Number of Thread Starts	1
Screw Material	CF53
Screw Weight	5.9 kg/m
Nominal Ball Diameter	3.5 mm
Lead Accuracy ⁽¹⁾ T7 Part Number	0220019

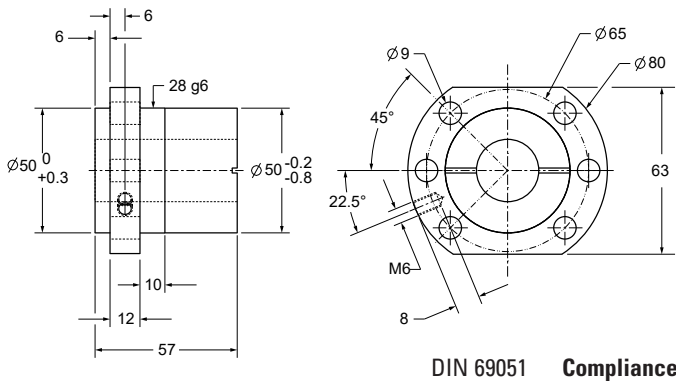
Ball screws can be cut to the length you require. Specify ball screw part number and overall length at time of order

Flanged Ball Nut – KGF-D



Thread Direction	Right Hand
Nut Material	1.7131 (ESP 65)
Max. Load (Dynamic / Static)	21.5 kN / 49.3 kN
Number of Circuits	5
Torque to Raise 1 kN	0.885 Nm
Nut Weight	0.6 kg
Preload Classes ⁽²⁾	See order code on page 98
Standard max. Backlash	0.041 mm
Ball Return Type	Single Circuit
Number of Balls	140
Wiper Type	Rubber
Part Number	0215200054

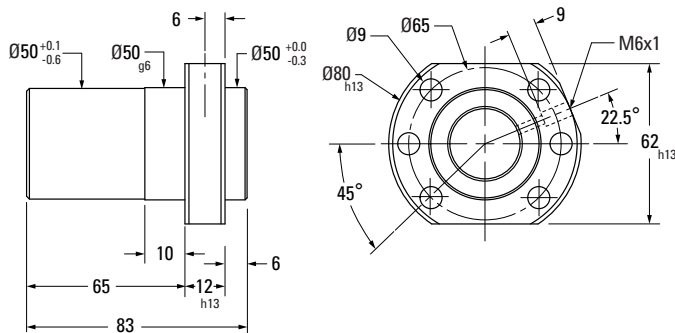
Flanged Ball Nut – KGF-D (FK)



Thread Direction	Right Hand
Nut Material	1.7131 (ESP 65)
Max. Load (Dynamic / Static)	19.3 kN / 36.3 kN
Number of Circuits	4
Torque to Raise 1 kN	0.885 Nm
Nut Weight	0.7 kg
Preload Classes ⁽²⁾	See order code on page 98
Standard max. Backlash	0.041 mm
Ball Return Type	Single Circuit Metal
Number of Balls	116
Wiper Type	Polymer
Part Number	0215200275

Flanged Ball Nut – KGF-L (FL)

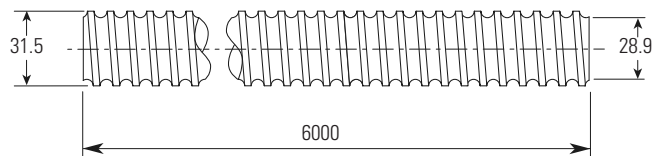
(can only be used with a P3 or P5 lead accuracy screw)



Thread Direction	Right Hand
Nut Material	1.7131 (ESP 65)
Max. Load (Dynamic / Static)	19.3 kN / 36.4 kN
Number of Circuits	4+4
Torque to Raise 1 kN	
Nut Weight	
Preload Classes ⁽²⁾	
Standard max. Backlash (Z0)	
Ball Return Type	EUS
Number of Balls	
Wiper Type	
Part Number	

Ø 32 x 5 mm – Ball Screws – Rolled

Ball Screw

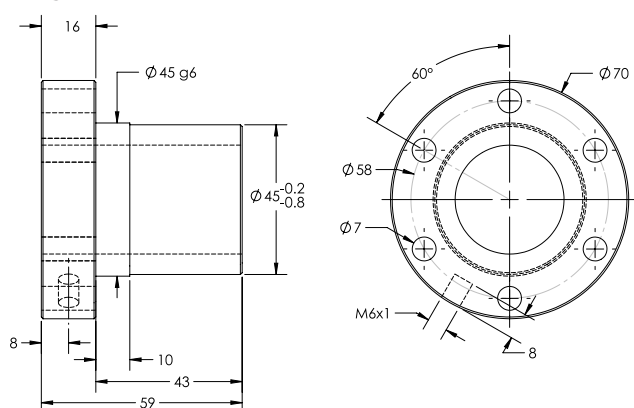


Note: Dimensional information for all End Journals and Bearing Supports is available on page 87 – 97. Information on required lubrication is on page 114.

Nominal Ball Screw Diameter	32 mm
Nominal Ball Screw Lead	5 mm
Thread Direction	Right Hand
Number of Thread Starts	1
Screw Material	CF53
Screw Weight	5.9 kg/m
Nominal Ball Diameter	3.5 mm
Lead Accuracy ⁽¹⁾ T7 Part Number	0220019

Ball screws can be cut to the length you require. Specify ball screw part number and overall length at time of order

Flanged Ball Nut – KGF-N



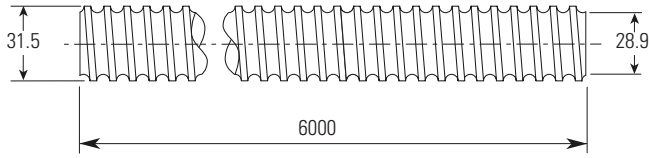
Thread Direction	Right Hand
Nut Material	1.7131 (ESP 65)
Max. Load (Dynamic / Static)	21.5 kN / 49.3 kN
Number of Circuits	5
Torque to Raise 1 kN	0.885 Nm
Nut Weight	0.55 kg
Preload Classes ⁽²⁾	See order code on page 98
Standard max. Backlash	0.041 mm
Ball Return Type	Single Circuit Metal
Number of Balls	140
Wiper Type	Rubber
Part Number	0215200053

(1) P3 = 12 µm / 300 mm, P5 = 23 µm / 300 mm, T5 = 23 µm / 300 mm, T7 = 52 µm / 300 mm

(2) Please ask Thomson Customer Service for available preload options

Ø 32 x 5 mm – Ball Screws – Rolled

Ball Screw

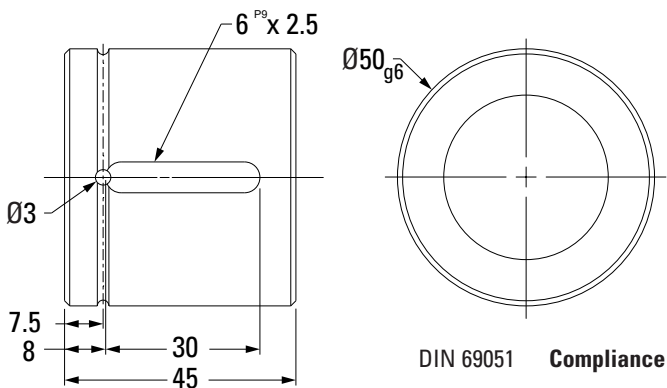


Note: Dimensional information for all End Journals and Bearing Supports is available on page 87 – 97. Information on required lubrication is on page 114.

Nominal Ball Screw Diameter	32 mm
Nominal Ball Screw Lead	5 mm
Thread Direction	Right Hand
Number of Thread Starts	1
Screw Material	CF53
Screw Weight	5.9 kg/m
Nominal Ball Diameter	3.5 mm
Lead Accuracy ⁽¹⁾ T7 Part Number	0220019

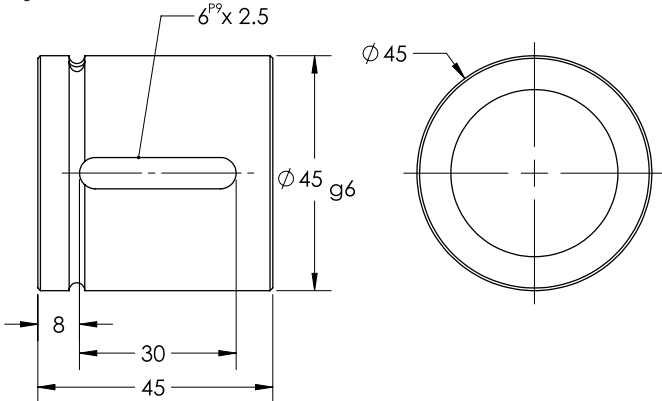
Ball screws can be cut to the length you require. Specify ball screw part number and overall length at time of order

Cylindrical Ball Nut – KGM-D



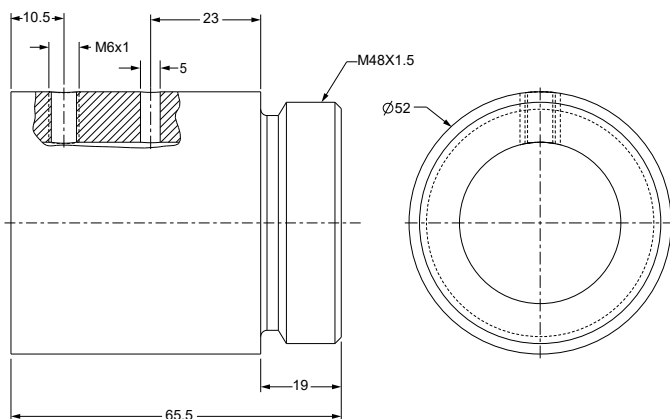
Thread Direction	Right Hand
Nut Material	1.7131 (ESP 65)
Max. Load (Dynamic / Static)	21.5 kN / 49.3 kN
Number of Circuits	5
Torque to Raise 1 kN	0.885 Nm
Nut Weight	0.5 kg
Preload Classes ⁽²⁾	See order code on page 98
Standard max. Backlash	0.041 mm
Ball Return Type	Single Circuit
Number of Balls	140
Wiper Type	Rubber
Part Number	0215050118

Cylindrical Ball Nut – KGM-N



Thread Direction	Right Hand
Nut Material	1.7131 (ESP 65)
Max. Load (Dynamic / Static)	21.5 kN / 49.3 kN
Number of Circuits	5
Torque to Raise 1 kN	0.885 Nm
Nut Weight	0.30 kg
Preload Classes ⁽²⁾	See order code on page 98
Standard max. Backlash	0.041 mm
Ball Return Type	Single Circuit Metal
Number of Balls	140
Wiper Type	Rubber
Part Number	0215050117

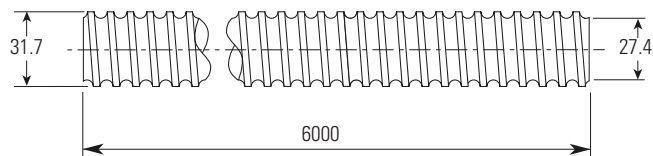
Threaded Ball Nut – KGM-G (ZG)



Thread Direction	Right Hand
Nut Material	1.7131 (ESP 65)
Max. Load (Dynamic / Static)	23.3 kN / 45.5 kN
Number of Circuits	5
Torque to Raise 1 kN	0.885 Nm
Nut Weight	0.6 kg
Preload Classes ⁽²⁾	See order code on page 98
Standard max. Backlash	0.041 mm
Ball Return Type	Single Circuit
Number of Balls	145
Wiper Type	Polymer
Part Number	0215050311

Ø 32 x 10 mm – Ball Screws – Rolled

Ball Screw

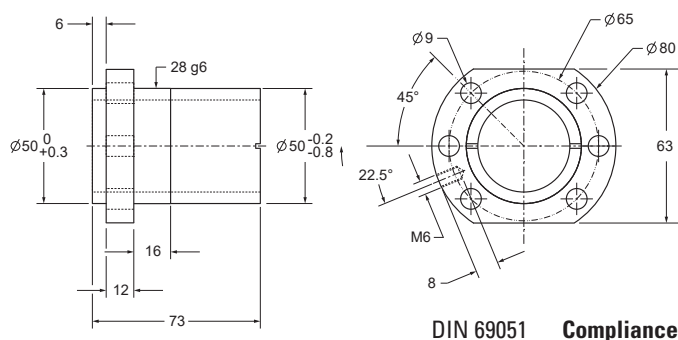


Note: Dimensional information for all End Journals and Bearing Supports is available on page 87 – 97. Information on required lubrication is on page 114.

Nominal Ball Screw Diameter	32 mm
Nominal Ball Screw Lead	10 mm
Thread Direction	Right Hand
Number of Thread Starts	1
Screw Material	CF53
Screw Weight	5.56 kg/m
Nominal Ball Diameter	5.56 mm
Lead Accuracy ⁽¹⁾ T7 Part Number	0205000230

Ball screws can be cut to the length you require. Specify ball screw part number and overall length at time of order

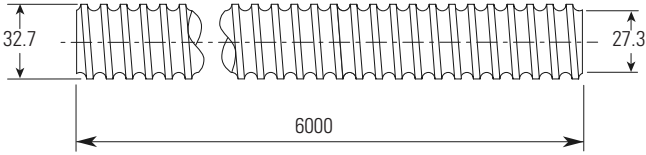
Flanged Ball Nut – KGF-D (FK)



Thread Direction	Right Hand
Nut Material	1.7131 (ESP 65)
Max. Load (Dynamic / Static)	26.4 kN / 39 kN
Number of Circuits	3
Torque to Raise 1 N	1.77 Nm
Nut Weight	0.9 kg
Preload Classes ⁽²⁾	See order code on page 98
Standard max. Backlash	0.065 mm
Ball Return Type	Single Circuit Metal
Number of Balls	54
Wiper Type	Rubber
Part Number	0215200404

Ø 32 x 10 mm – Ball Screws – Rolled

Ball Screw

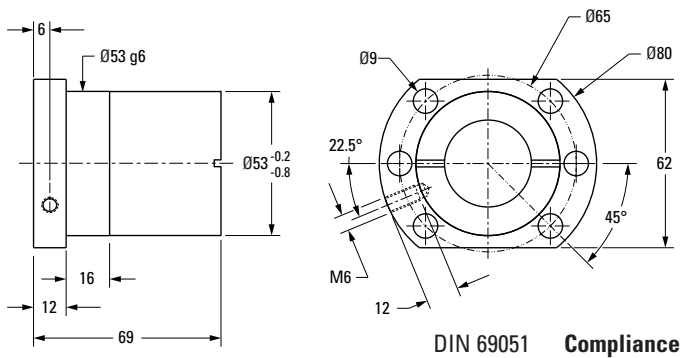


Note: Dimensional information for all End Journals and Bearing Supports is available on page 87 – 97. Information on required lubrication is on page 114.

Nominal Ball Screw Diameter	32 mm
Nominal Ball Screw Lead	10 mm
Thread Direction	Right Hand
Number of Thread Starts	1
Screw Material	CF53
Screw Weight	5.56 kg/m
Nominal Ball Diameter	7.144 mm
Lead Accuracy ⁽¹⁾ T7 Part Number	0220022

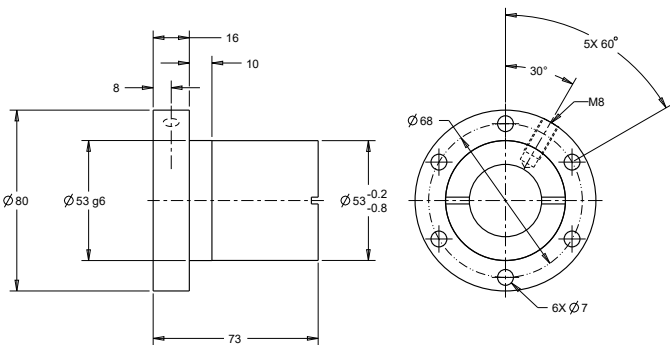
Ball screws can be cut to the length you require. Specify ball screw part number and overall length at time of order

Flanged Ball Nut – KGF-D



Thread Direction	Right Hand
Nut Material	1.7131 (ESP 65)
Max. Load (Dynamic / Static)	33.4 kN / 54.5 kN
Number of Circuits	3
Torque to Raise 1 kN	1.77 Nm
Nut Weight	0.9 kg
Preload Classes ⁽²⁾	See order code on page 98
Standard max. Backlash	0.084 mm
Ball Return Type	Single Circuit
Number of Balls	42
Wiper Type	Rubber
Part Number	0215200087

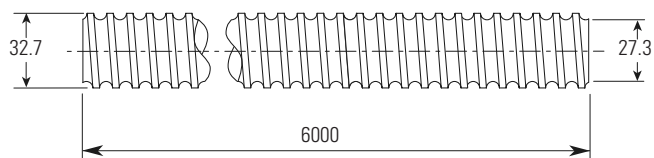
Flanged Ball Nut – KGF-N



Thread Direction	Right Hand
Nut Material	1.7131 (ESP 65)
Max. Load (Dynamic / Static)	33.4 kN / 54.5 kN
Number of Circuits	3
Torque to Raise 1 kN	1.77 Nm
Nut Weight	0.9 kg
Preload Classes ⁽²⁾	See order code on page 98
Standard max. Backlash	0.084 mm
Ball Return Type	Single Circuit
Number of Balls	42
Wiper Type	Rubber
Part Number	0215200075

Ø 32 x 10 mm – Ball Screws – Rolled

Ball Screw

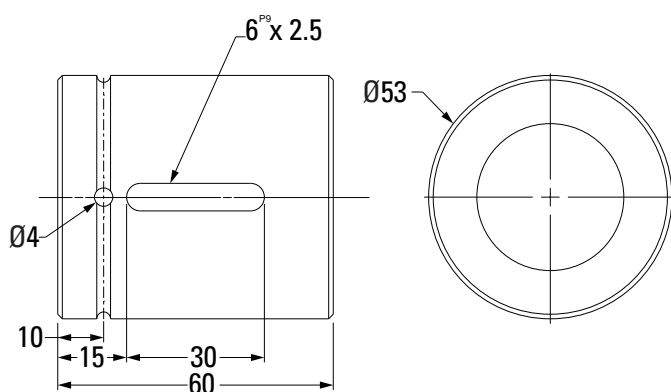


Note: Dimensional information for all End Journals and Bearing Supports is available on page 87 – 97. Information on required lubrication is on page 114.

Nominal Ball Screw Diameter	32 mm
Nominal Ball Screw Lead	10 mm
Thread Direction	Right Hand
Number of Thread Starts	1
Screw Material	CF53
Screw Weight	5.56 kg/m
Nominal Ball Diameter	7.144 mm
Lead Accuracy ⁽¹⁾ T7 Part Number	0220022

Ball screws can be cut to the length you require. Specify ball screw part number and overall length at time of order

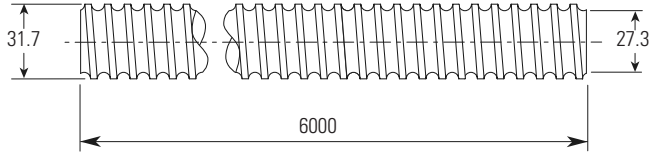
Cylindrical Ball Nut – KGM-N



Thread Direction	Right Hand
Nut Material	1.7131 (ESP 65)
Max. Load (Dynamic / Static)	33.4 kN / 54.5 kN
Number of Circuits	3
Torque to Raise 1 kN	1.77 Nm
Nut Weight	0.6 kg
Preload Classes ⁽²⁾	See order code on page 98
Standard max. Backlash	0.084 mm
Ball Return Type	Single Circuit Polymer
Number of Balls	42
Wiper Type	Rubber
Part Number	0215050107

Ø 32 x 20 mm – Ball Screws – Rolled

Ball Screw

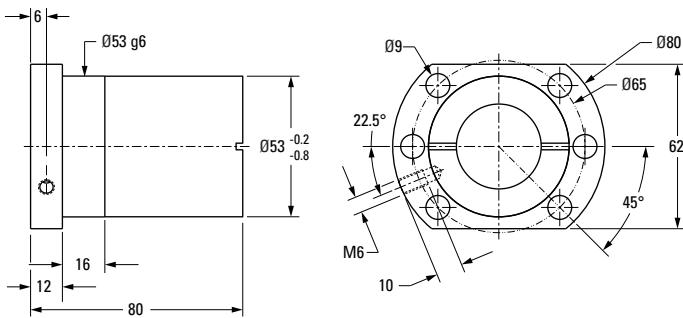


Note: Dimensional information for all End Journals and Bearing Supports is available on page 87 – 97. Information on required lubrication is on page 114.

Nominal Ball Screw Diameter	32 mm
Nominal Ball Screw Lead	20 mm
Thread Direction	Right Hand
Number of Thread Starts	2
Screw Material	CF53
Screw Weight	5.60 kg/m
Nominal Ball Diameter	5.000 mm
Lead Accuracy ⁽¹⁾ T7 Part Number	0220245

Ball screws can be cut to the length you require. Specify ball screw part number and overall length at time of order

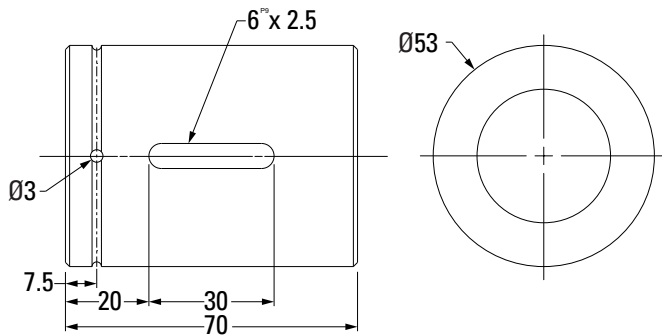
Flanged Ball Nut – KGF-D



DIN 69051 Compliance

Thread Direction	Right Hand
Nut Material	1.7131 (ESP 65)
Max. Load (Dynamic / Static)	29.7 kN / 59.8 kN
Number of Circuits	4
Torque to Raise 1 kN	1.77 Nm
Nut Weight	0.9 kg
Preload Classes ⁽²⁾	See order code on page 98
Standard max. Backlash	0.059 mm
Ball Return Type	Channel
Number of Balls	84
Wiper Type	Rubber
Part Number	0215200191

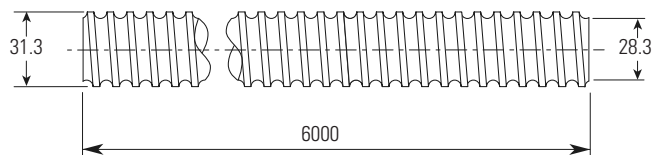
Cylindrical Ball Nut – KGM-N



Thread Direction	Right Hand
Nut Material	1.7131 (ESP 65)
Max. Load (Dynamic / Static)	29.7 kN / 59.8 kN
Number of Circuits	4
Torque to Raise 1 kN	1.77 Nm
Nut Weight	0.6 kg
Preload Classes ⁽²⁾	See order code on page 98
Standard max. Backlash	0.059 mm
Ball Return Type	Channel
Number of Balls	84
Wiper Type	Rubber
Part Number	0215050255

Ø 32 x 32 mm – Ball Screws – Rolled

Ball Screw

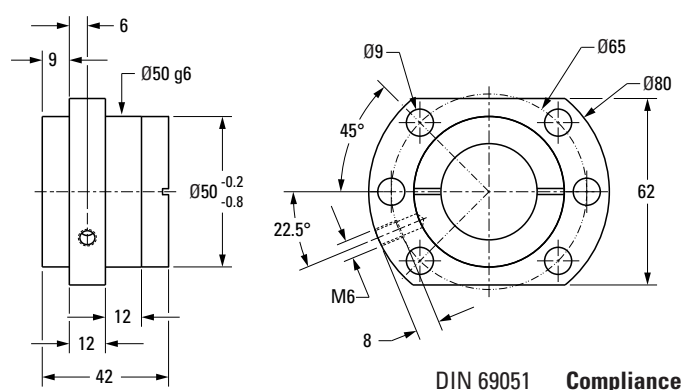


Note: Dimensional information for all End Journals and Bearing Supports is available on page 87 – 97. Information on required lubrication is on page 114.

Nominal Ball Screw Diameter	32 mm
Nominal Ball Screw Lead	32 mm
Thread Direction	Right Hand
Number of Thread Starts	4
Screw Material	CF53
Screw Weight	5.74 kg/m
Nominal Ball Diameter	3.969 mm
Lead Accuracy ⁽¹⁾ T7 Part Number	0205000214

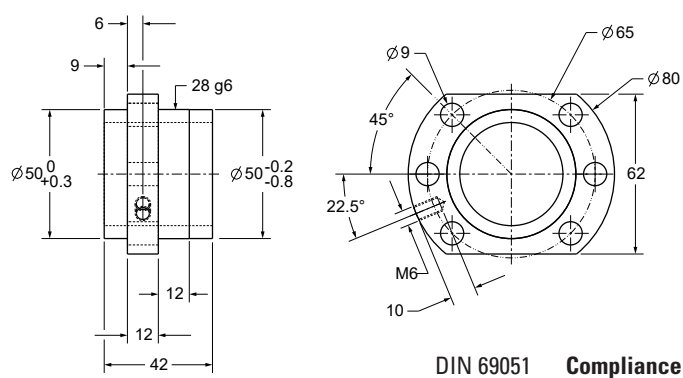
Ball screws can be cut to the length you require. Specify ball screw part number and overall length at time of order

Flanged Ball Nut – KGF-D



Thread Direction	Right Hand
Nut Material	1.7131 (ESP 65)
Max. Load (Dynamic / Static)	19.7 kN / 37.4 kN
Number of Circuits	4
Torque to Raise 1 kN	5.66 Nm
Nut Weight	0.8 kg
Preload Classes ⁽²⁾	See order code on page 98
Standard max. Backlash	0.047 mm
Ball Return Type	End Cap
Number of Balls	124
Wiper Type	Rubber
Part Number	0215200235

Flanged Ball Nut – KGF-D (FH)



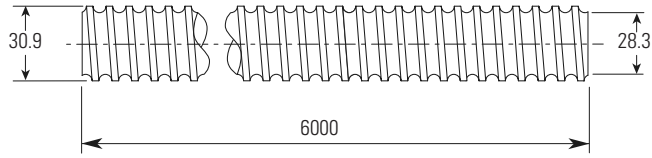
Thread Direction	Right Hand
Nut Material	1.7131 (ESP 65)
Max. Load (Dynamic / Static)	19.7 kN / 39.0 kN
Number of Circuits	4
Torque to Raise 1 kN	5.66 Nm
Nut Weight	0.8 kg
Preload Classes ⁽²⁾	See order code on page 98
Standard max. Backlash	0.047 mm
Ball Return Type	End Cap
Number of Balls	124
Wiper Type	Polymer
Part Number	0215200232

(1) P3 = 12 µm / 300 mm, P5 = 23 µm / 300 mm, T5 = 23 µm / 300 mm, T7 = 52 µm / 300 mm

(2) Please ask Thomson Customer Service for available preload options

Ø 32 x 40 mm – Ball Screws – Rolled

Ball Screw

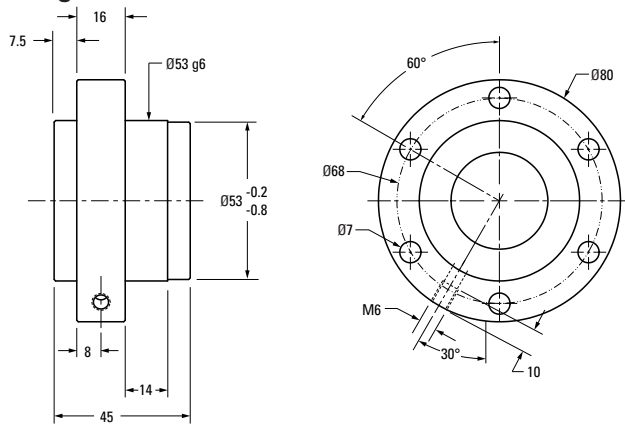


Note: Dimensional information for all End Journals and Bearing Supports is available on page 87 – 97. Information on required lubrication is on page 114.

Nominal Ball Screw Diameter	32 mm
Nominal Ball Screw Lead	40 mm
Thread Direction	Right Hand
Number of Thread Starts	4
Screw Material	CF53
Screw Weight	5.63 kg/m
Nominal Ball Diameter	3.5 mm
Lead Accuracy ⁽¹⁾ T7 Part Number	0220041

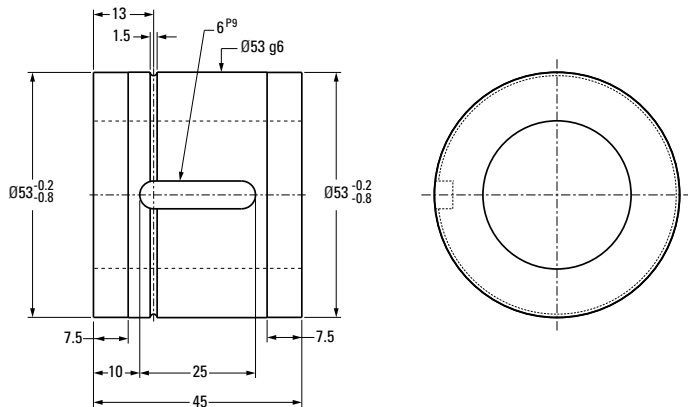
Ball screws can be cut to the length you require. Specify ball screw part number and overall length at time of order

Flanged Ball Nut – KGF-N



Thread Direction	Right Hand
Nut Material	1.7131 (ESP 65)
Max. Load (Dynamic / Static)	14.9 kN / 32.4 kN
Number of Circuits	4
Torque to Raise 1 kN	7.08 Nm
Nut Weight	0.5 kg
Preload Classes ⁽²⁾	See order code on page 98
Standard max. Backlash	0.041 mm
Ball Return Type	End Cap
Number of Balls	168
Wiper Type	Rubber
Part Number	0215200210

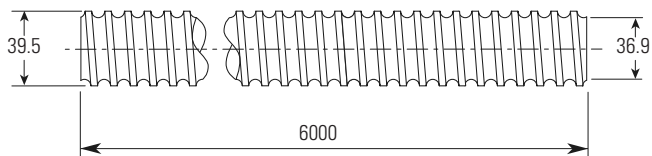
Cylindrical Ball Nut – KGM-N



Thread Direction	Right Hand
Nut Material	1.7131 (ESP 65)
Max. Load (Dynamic / Static)	14.9 kN / 32.4 kN
Number of Circuits	4
Torque to Raise 1 kN	7.08 Nm
Nut Weight	0.46 kg
Preload Classes ⁽²⁾	See order code on page 98
Standard max. Backlash	0.041 mm
Ball Return Type	End Cap
Number of Balls	168
Wiper Type	Rubber
Part Number	0215050275

Ø 40 x 5 mm – Ball Screws – Rolled

Ball Screw

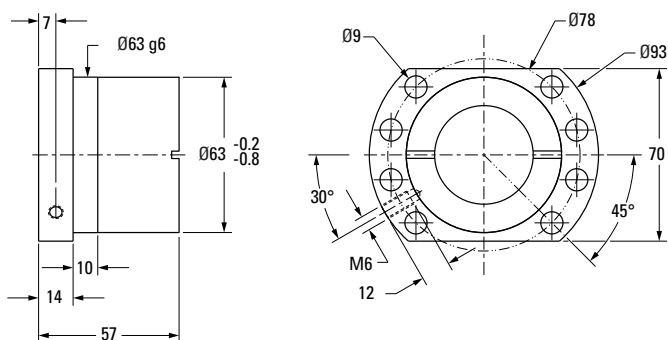


Note: Dimensional information for all End Journals and Bearing Supports is available on page 87 – 97. Information on required lubrication is on page 114.

Nominal Ball Screw Diameter	40 mm
Nominal Ball Screw Lead	5 mm
Thread Direction	Right Hand
Number of Thread Starts	1
Screw Material	CF53
Screw Weight	9.03 kg/m
Nominal Ball Diameter	3.5 mm
Lead Accuracy ⁽¹⁾ T7 Part Number	0205000214

Ball screws can be cut to the length you require. Specify ball screw part number and overall length at time of order

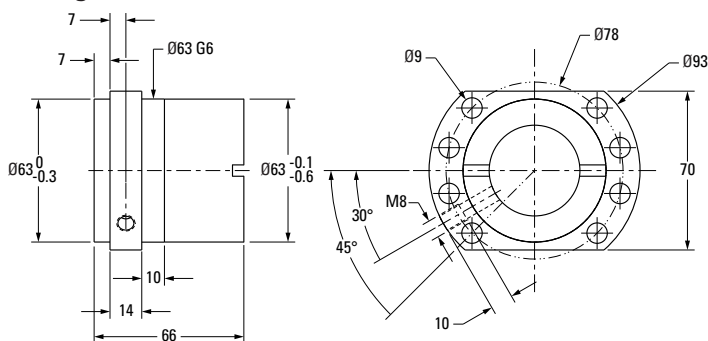
Flanged Ball Nut – KGF-D



DIN 69051 Compliance

Thread Direction	Right Hand
Nut Material	1.7131 (ESP 65)
Max. Load (Dynamic / Static)	23.8 kN / 63.1 kN
Number of Circuits	5
Torque to Raise 1 kN	0.885 Nm
Nut Weight	0.7 kg
Preload Classes ⁽²⁾	See order code on page 98
Standard max. Backlash	0.041 mm
Ball Return Type	Single Circuit
Number of Balls	180
Wiper Type	Rubber
Part Number	0215200056

Flanged Ball Nut – KGF-D (FK)

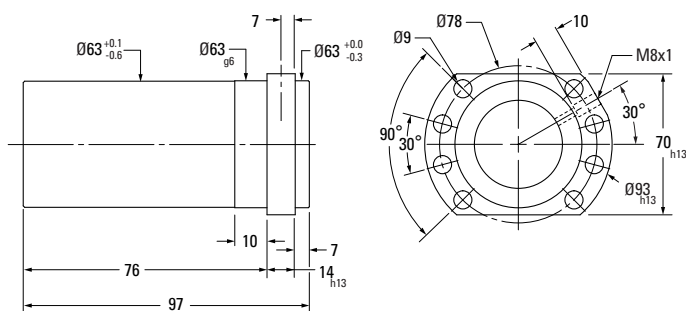


DIN 69051 Compliance

Thread Direction	Right Hand
Nut Material	1.7131 (ESP 65)
Max. Load (Dynamic / Static)	26.3 kN / 59.2 kN
Number of Circuits	5
Torque to Raise 1 kN	0.885 Nm
Nut Weight	1.2 kg
Preload Classes ⁽²⁾	See order code on page 98
Standard max. Backlash	0.041 mm
Ball Return Type	EUS
Number of Balls	180
Wiper Type	Polymer
Part Number	0215200277

Flanged Ball Nut – KGF-L (FL)

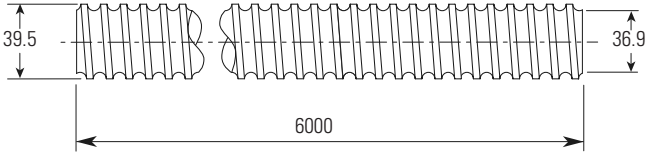
(can only be used with a P3 or P5 lead accuracy screw)



Thread Direction	Right Hand
Nut Material	
Max. Load (Dynamic / Static)	26.3 kN / 59.2 kN
Number of Circuits	5+5
Torque to Raise 1 kN	
Nut Weight	
Preload Classes ⁽²⁾	
Standard max. Backlash (Z0)	
Ball Return Type	EUS
Number of Balls	
Wiper Type	Polymer
Part Number	

Ø 40 x 5 mm – Ball Screws – Rolled

Ball Screw

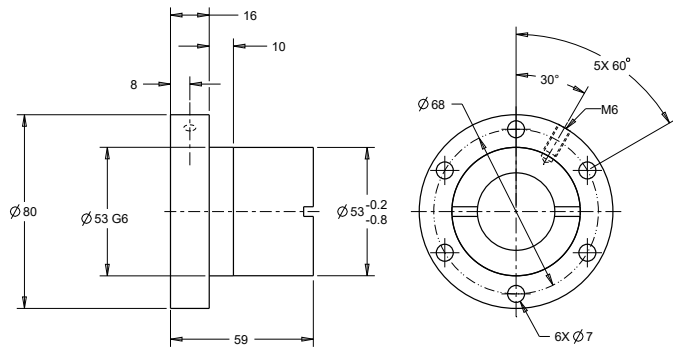


Note: Dimensional information for all End Journals and Bearing Supports is available on page 87 – 97. Information on required lubrication is on page 114.

Nominal Ball Screw Diameter	40 mm
Nominal Ball Screw Lead	5 mm
Thread Direction	Right Hand
Number of Thread Starts	1
Screw Material	CF53
Screw Weight	9.03 kg/m
Nominal Ball Diameter	3.5 mm
Lead Accuracy ⁽¹⁾ T7 Part Number	0205000214

Ball screws can be cut to the length you require. Specify ball screw part number and overall length at time of order

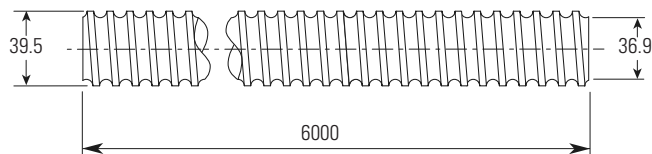
Flanged Ball Nut – KGF-N



Thread Direction	Right Hand
Nut Material	1.7131 (ESP 65)
Max. Load (Dynamic / Static)	23.8 kN / 63.1 kN
Number of Circuits	5
Torque to Raise 1 kN	0.885 Nm
Nut Weight	0.7 kg
Preload Classes ⁽²⁾	See order code on page 98
Standard max. Backlash	0.041 mm
Ball Return Type	Single Circuit
Number of Balls	180
Wiper Type	Rubber
Part Number	0215200055

Ø 40 x 5 mm – Ball Screws – Rolled

Ball Screw

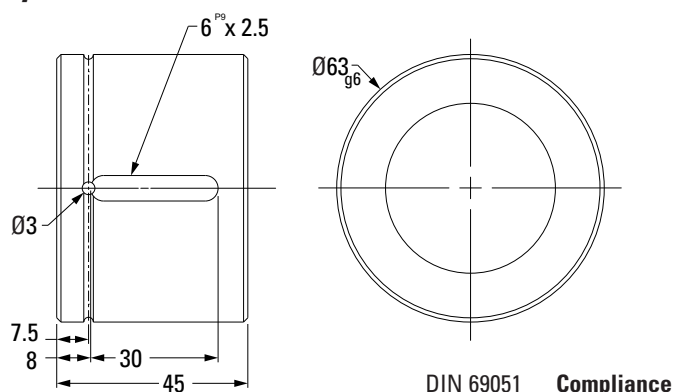


Note: Dimensional information for all End Journals and Bearing Supports is available on page 87 – 97. Information on required lubrication is on page 114.

Nominal Ball Screw Diameter	40 mm
Nominal Ball Screw Lead	5 mm
Thread Direction	Right Hand
Number of Thread Starts	1
Screw Material	CF53
Screw Weight	9.03 kg/m
Nominal Ball Diameter	3.5 mm
Lead Accuracy ⁽¹⁾ T7 Part Number	0205000214

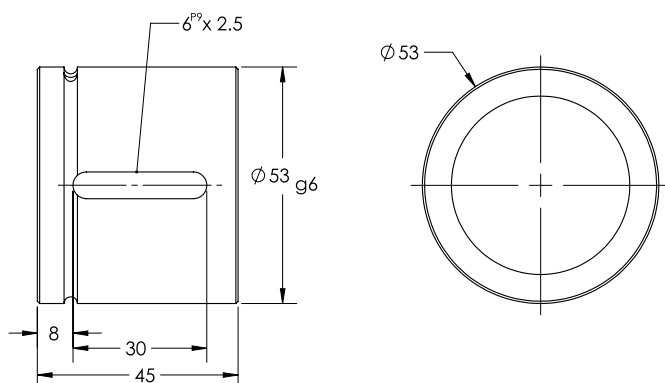
Ball screws can be cut to the length you require. Specify ball screw part number and overall length at time of order

Cylindrical Ball Nut – KGM-D



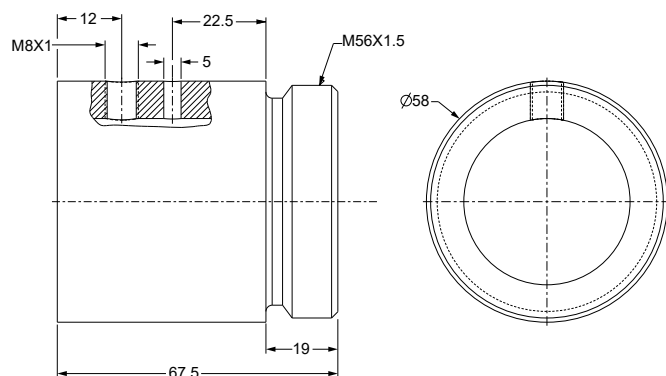
Thread Direction	Right Hand
Nut Material	1.7131 (ESP 65)
Max. Load (Dynamic / Static)	21.5 kN / 49.3 kN
Number of Circuits	5
Torque to Raise 1 kN	0.885 Nm
Nut Weight	0.8 kg
Preload Classes ⁽²⁾	See order code on page 98
Standard max. Backlash	0.041 mm
Ball Return Type	Single Circuit
Number of Balls	180
Wiper Type	Rubber
Part Number	0215200210

Cylindrical Ball Nut – KGM-N



Thread Direction	Right Hand
Nut Material	1.7131 (ESP 65)
Max. Load (Dynamic / Static)	23.8 kN / 63.1 kN
Number of Circuits	5
Torque to Raise 1 kN	0.885 Nm
Nut Weight	0.6 kg
Preload Classes ⁽²⁾	See order code on page 98
Standard max. Backlash	0.041 mm
Ball Return Type	Single Circuit Metal
Number of Balls	180
Wiper Type	Rubber
Part Number	0215050119

Threaded Ball Nut – KGM-G (ZG)



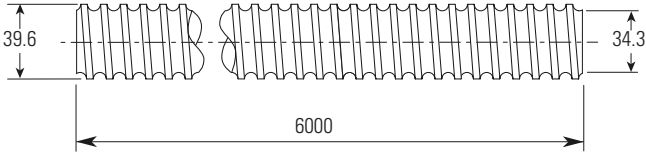
Thread Direction	Right Hand
Nut Material	1.7131 (ESP 65)
Max. Load (Dynamic / Static)	26.3 kN / 59.2 kN
Number of Circuits	5
Torque to Raise 1 kN	0.885 Nm
Nut Weight	0.6 kg
Preload Classes ⁽²⁾	See order code on page 98
Standard max. Backlash	0.041 mm
Ball Return Type	Single Circuit
Number of Balls	180
Wiper Type	Polymer
Part Number	0215050275

(1) P3 = 12 µm / 300 mm, P5 = 23 µm / 300 mm, T5 = 23 µm / 300 mm, T7 = 52 µm / 300 mm

(2) Please ask Thomson Customer Service for available preload options

Ø 40 x 10 mm – Ball Screws – Rolled

Ball Screw

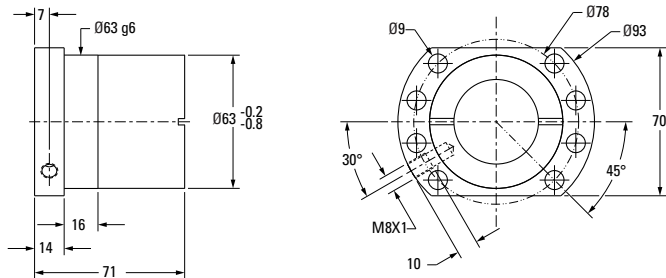


Note: Dimensional information for all End Journals and Bearing Supports is available on page 87 – 97. Information on required lubrication is on page 114.

Nominal Ball Screw Diameter	40 mm
Nominal Ball Screw Lead	10 mm
Thread Direction	Right Hand
Number of Thread Starts	1
Screw Material	CF53
Screw Weight	8.43 kg/m
Nominal Ball Diameter	7.144 mm
Lead Accuracy ⁽¹⁾ T7 Part Number	0205000228

Ball screws can be cut to the length you require. Specify ball screw part number and overall length at time of order

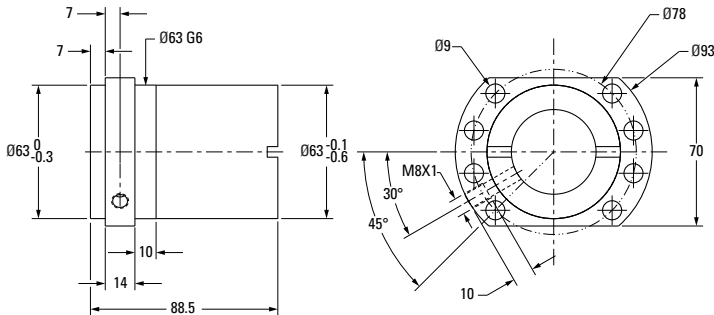
Flanged Ball Nut – KGF-D



DIN 69051 Compliance

Thread Direction	Right Hand
Nut Material	1.7131 (ESP 65)
Max. Load (Dynamic / Static)	38.0 kN / 69.2 kN
Number of Circuits	3
Torque to Raise 1 kN	1.77 Nm
Nut Weight	1.2 kg
Preload Classes ⁽²⁾	See order code on page 98
Standard max. Backlash	0.084 mm
Ball Return Type	Single Circuit
Number of Balls	54
Wiper Type	Rubber
Part Number	0215200356

Flanged Ball Nut – KGF-D (FK)

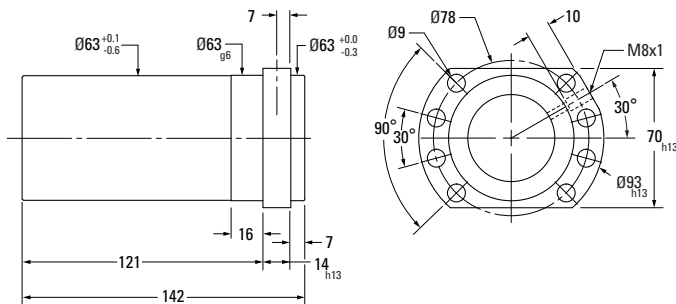


DIN 69051 Compliance

Thread Direction	Right Hand
Nut Material	1.7131 (ESP 65)
Max. Load (Dynamic / Static)	64.9 kN / 109.0 kN
Number of Circuits	4
Torque to Raise 1 kN	1.77 Nm
Nut Weight	1.4 kg
Preload Classes ⁽²⁾	See order code on page 98
Standard max. Backlash	0.084 mm
Ball Return Type	Single Circuit Metal
Number of Balls	72
Wiper Type	Polymer
Part Number	0215200320

Flanged Ball Nut – KGF-L (FL)

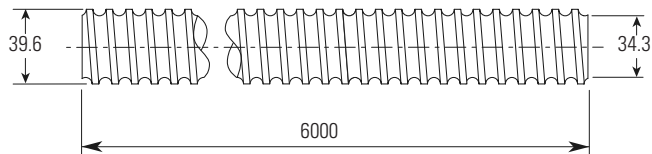
(can only be used with a P3 or P5 lead accuracy screw)



Thread Direction	Right Hand
Nut Material	
Max. Load (Dynamic / Static)	64.9 kN / 109.0 kN
Number of Circuits	4+4
Torque to Raise 1 kN	
Nut Weight	
Preload Classes ⁽²⁾	
Standard max. Backlash (Z0)	
Ball Return Type	EUS
Number of Balls	
Wiper Type	Polymer
Part Number	

Ø 40 x 10 mm – Ball Screws – Rolled

Ball Screw

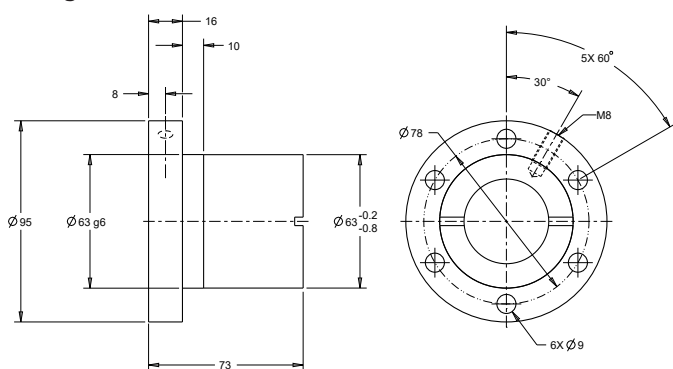


Note: Dimensional information for all End Journals and Bearing Supports is available on page 87 – 97. Information on required lubrication is on page 114.

Nominal Ball Screw Diameter	40 mm
Nominal Ball Screw Lead	10 mm
Thread Direction	Right Hand
Number of Thread Starts	1
Screw Material	CF53
Screw Weight	8.43 kg/m
Nominal Ball Diameter	7.144 mm
Lead Accuracy ⁽¹⁾ T7 Part Number	0205000228

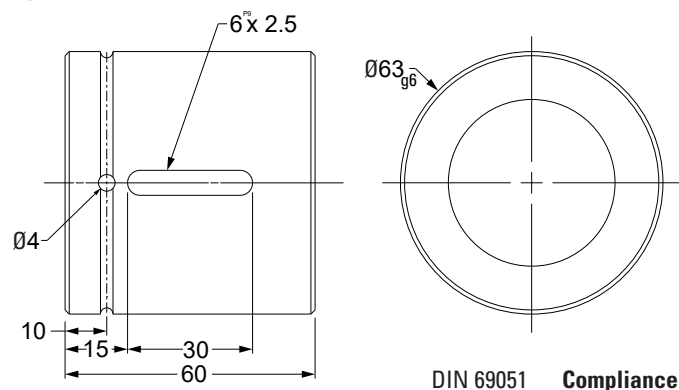
Ball screws can be cut to the length you require. Specify ball screw part number and overall length at time of order

Flanged Ball Nut – KGF-N



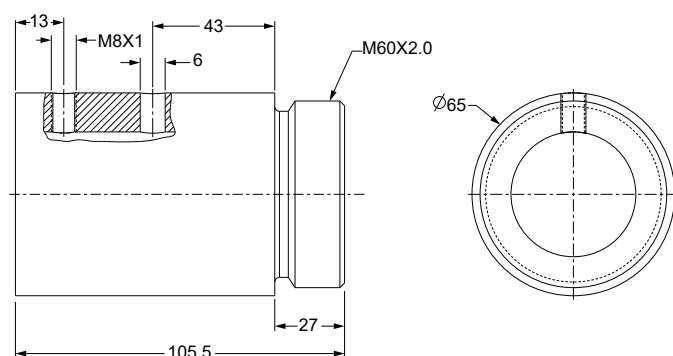
Thread Direction	Right Hand
Nut Material	1.7131 (ESP 65)
Max. Load (Dynamic / Static)	38 kN / 69.1 kN
Number of Circuits	3
Torque to Raise 1 kN	1.77 Nm
Nut Weight	1.2 kg
Preload Classes ⁽²⁾	See order code on page 98
Standard max. Backlash	0.084 mm
Ball Return Type	Single Circuit
Number of Balls	54
Wiper Type	Rubber
Part Number	0215200053

Cylindrical Ball Nut – KGM-D



Thread Direction	Right Hand
Nut Material	1.7131 (ESP 65)
Max. Load (Dynamic / Static)	38.0 kN / 69.1 kN
Number of Circuits	3
Torque to Raise 1 kN	1.77 Nm
Nut Weight	1.0 kg
Preload Classes ⁽²⁾	See order code on page 98
Standard max. Backlash	0.084 mm
Ball Return Type	Single Circuit
Number of Balls	54
Wiper Type	Rubber
Part Number	0215050366

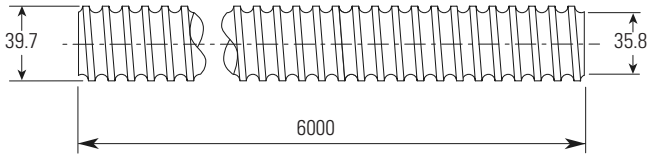
Threaded Ball Nut – KGM-G (ZG)



Thread Direction	Right Hand
Nut Material	1.7131 (ESP 65)
Max. Load (Dynamic / Static)	78.6 kN / 136.2 kN
Number of Circuits	5
Torque to Raise 1 kN	1.77 Nm
Nut Weight	1.3 kg
Preload Classes ⁽²⁾	See order code on page 98
Standard max. Backlash	0.084 mm
Ball Return Type	Single Circuit
Number of Balls	90
Wiper Type	Polymer
Part Number	0215050333

Ø 40 x 20 mm – Ball Screws – Rolled

Ball Screw

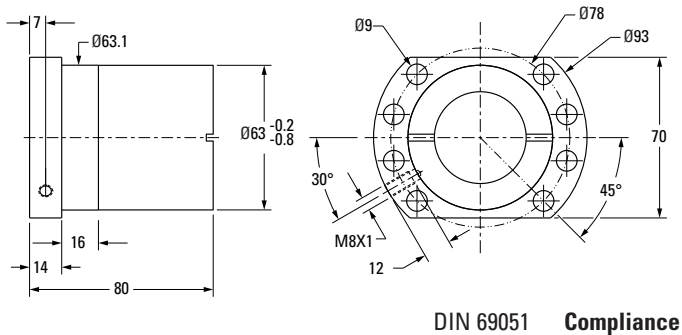


Note: Dimensional information for all End Journals and Bearing Supports is available on page 87 – 97. Information on required lubrication is on page 114.

Nominal Ball Screw Diameter	40 mm
Nominal Ball Screw Lead	20 mm
Thread Direction	Right Hand
Number of Thread Starts	2
Screw Material	CF53
Screw Weight	9.0 kg/m
Nominal Ball Diameter	5.0 mm
Lead Accuracy ⁽¹⁾ T7 Part Number	0220247

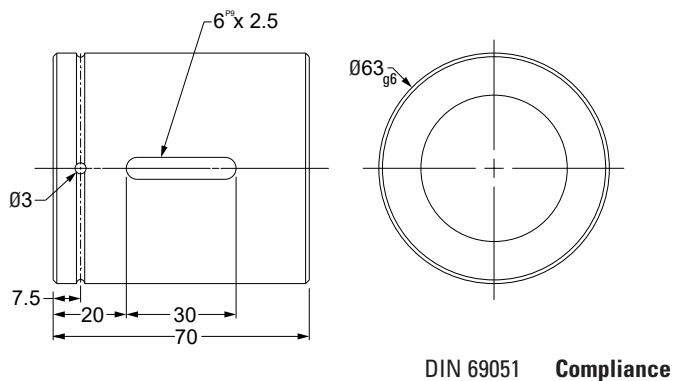
Ball screws can be cut to the length you require. Specify ball screw part number and overall length at time of order

Flanged Ball Nut – KGF-D



Thread Direction	Right Hand
Nut Material	1.7131 (ESP 65)
Max. Load (Dynamic / Static)	33.3 kN / 76.1 kN
Number of Circuits	4
Torque to Raise 1 kN	3.54 Nm
Nut Weight	1.5 kg
Preload Classes ⁽²⁾	See order code on page 98
Standard max. Backlash	0.059 mm
Ball Return Type	Channel
Number of Balls	104
Wiper Type	Rubber
Part Number	0215200206

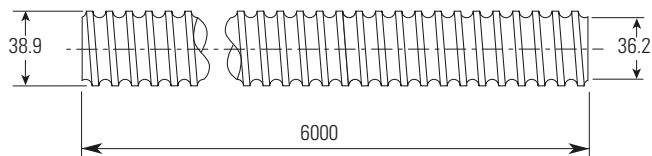
Cylindrical Ball Nut – KGM-D



Thread Direction	Right Hand
Nut Material	1.7131 (ESP 65)
Max. Load (Dynamic / Static)	33.3 kN / 76.1 kN
Number of Circuits	4
Torque to Raise 1 kN	3.54 Nm
Nut Weight	1.2 kg
Preload Classes ⁽²⁾	See order code on page 98
Standard max. Backlash	0.059 mm
Ball Return Type	Channel
Number of Balls	102
Wiper Type	Rubber
Part Number	0215050270

Ø 40 x 40 mm – Ball Screws – Rolled

Ball Screw

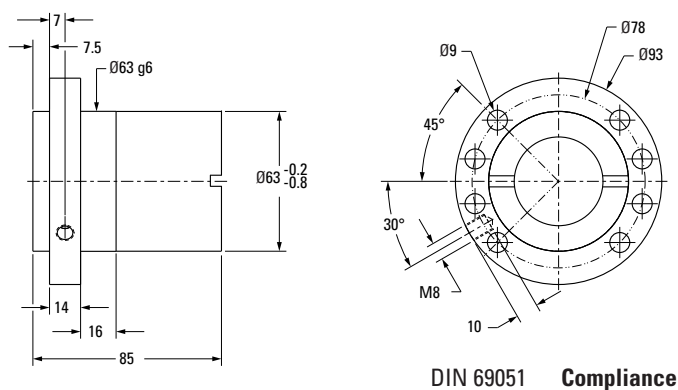


Note: Dimensional information for all End Journals and Bearing Supports is available on page 87 – 97. Information on required lubrication is on page 114.

Nominal Ball Screw Diameter	40 mm
Nominal Ball Screw Lead	40 mm
Thread Direction	Right Hand
Number of Thread Starts	4
Screw Material	CF53
Screw Weight	9.0 kg/m
Nominal Ball Diameter	3.5 mm
Lead Accuracy ⁽¹⁾ T7 Part Number	0220264

Ball screws can be cut to the length you require. Specify ball screw part number and overall length at time of order

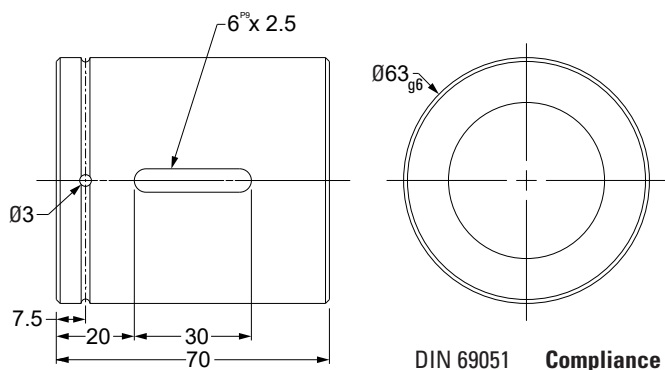
Flanged Ball Nut – KGF-D



DIN 69051 Compliance

Thread Direction	Right Hand
Nut Material	1.7131 (ESP 65)
Max. Load (Dynamic / Static)	35.0 kN / 101.9 kN
Number of Circuits	8
Torque to Raise 1 kN	7.08 Nm
Nut Weight	1.2 kg
Preload Classes ⁽²⁾	See order code on page 98
Standard max. Backlash	0.041 mm
Ball Return Type	End Cap
Number of Balls	360
Wiper Type	Rubber
Part Number	0215200199

Cylindrical Ball Nut – KGM-D

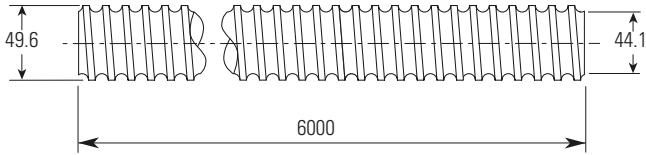


DIN 69051 Compliance

Thread Direction	Right Hand
Nut Material	1.7131 (ESP 65)
Max. Load (Dynamic / Static)	35.0 kN / 101.9 kN
Number of Circuits	8
Torque to Raise 1 kN	7.08 Nm
Nut Weight	0.9 kg
Preload Classes ⁽²⁾	See order code on page 98
Standard max. Backlash	0.041 mm
Ball Return Type	End Cap
Number of Balls	380
Wiper Type	Rubber
Part Number	0215050276

Ø 50 x 10 mm – Ball Screws – Rolled

Ball Screw

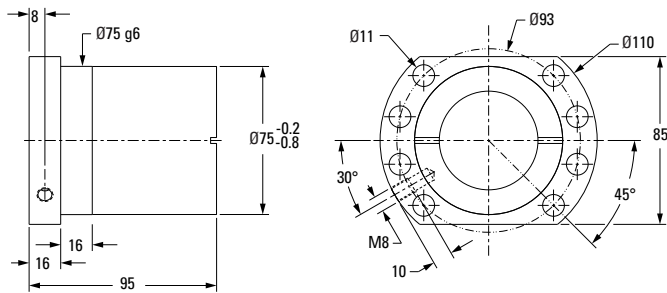


Note: Dimensional information for all End Journals and Bearing Supports is available on page 87 – 97. Information on required lubrication is on page 114.

Nominal Ball Screw Diameter	50 mm
Nominal Ball Screw Lead	10 mm
Thread Direction	Right Hand
Number of Thread Starts	1
Screw Material	CF53
Screw Weight	13.5 kg/m
Nominal Ball Diameter	7.144 mm
Lead Accuracy ⁽¹⁾ T7 Part Number	0220031

Ball screws can be cut to the length you require. Specify ball screw part number and overall length at time of order

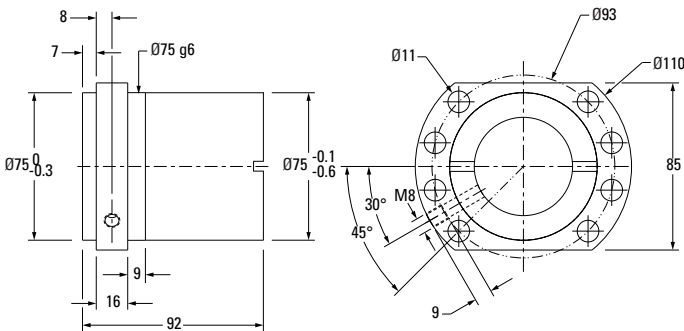
Flanged Ball Nut – KGF-D



DIN 69051 Compliance

Thread Direction	Right Hand
Nut Material	1.7131 (ESP 65)
Max. Load (Dynamic / Static)	68.7 kN / 155.8 kN
Number of Circuits	5
Torque to Raise 1 kN	1.77 Nm
Nut Weight	2.0 kg
Preload Classes ⁽²⁾	See order code on page 98
Standard max. Backlash	0.084 mm
Ball Return Type	Single Circuit
Number of Balls	115
Wiper Type	Rubber
Part Number	0215200074

Flanged Ball Nut – KGF-D (FK)

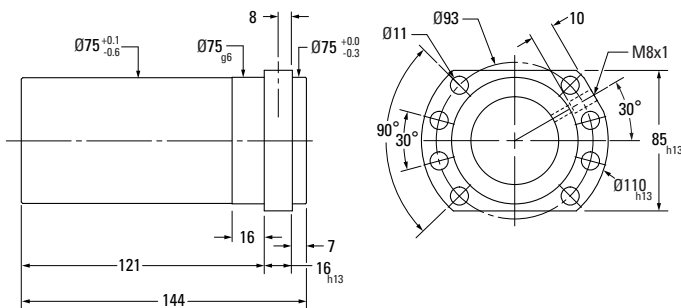


DIN 69051 Compliance

Thread Direction	Right Hand
Nut Material	1.7131 (ESP 65)
Max. Load (Dynamic / Static)	66.4 kN / 134.3 kN
Number of Circuits	4
Torque to Raise 1 kN	1.77 Nm
Nut Weight	2.0 kg
Preload Classes ⁽²⁾	See order code on page 98
Standard max. Backlash	0.084 mm
Ball Return Type	Single Circuit Metal
Number of Balls	88
Wiper Type	Polymer
Part Number	0215200306

Flanged Ball Nut – KGF-L (FL)

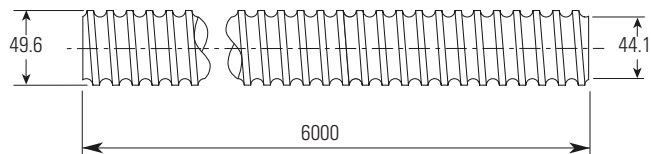
(can only be used with a P3 or P5 lead accuracy screw)



Thread Direction	Right Hand
Nut Material	
Max. Load (Dynamic / Static)	66.4 kN / 134.3 kN
Number of Circuits	4+4
Torque to Raise 1 kN	
Nut Weight	
Preload Classes ⁽²⁾	
Standard max. Backlash (Z0)	
Ball Return Type	EUS
Number of Balls	
Wiper Type	
Part Number	

Ø 50 x 10 mm – Ball Screws – Rolled

Ball Screw

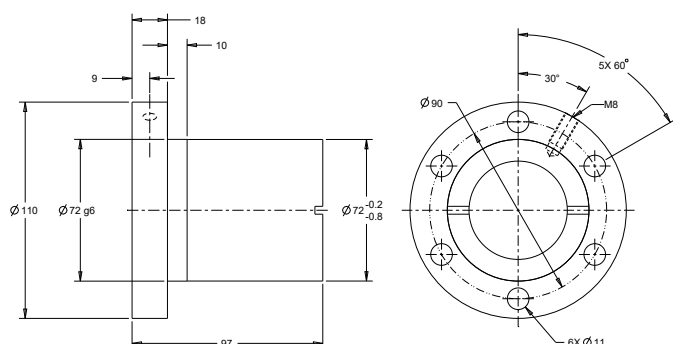


Note: Dimensional information for all End Journals and Bearing Supports is available on page 87 – 97. Information on required lubrication is on page 114.

Nominal Ball Screw Diameter	50 mm
Nominal Ball Screw Lead	10 mm
Thread Direction	Right Hand
Number of Thread Starts	1
Screw Material	CF53
Screw Weight	13.5 kg/m
Nominal Ball Diameter	7.144 mm
Lead Accuracy ⁽¹⁾ T7 Part Number	0220031

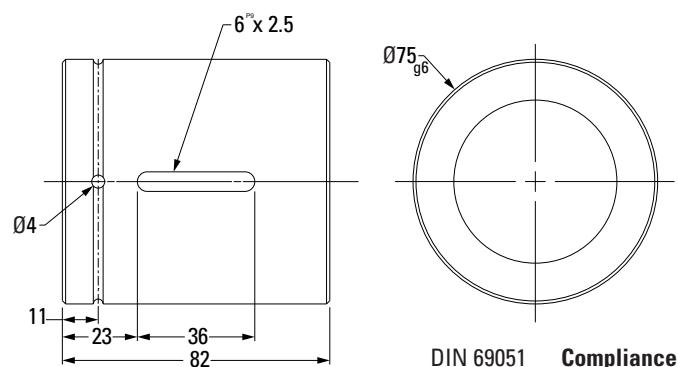
Ball screws can be cut to the length you require. Specify ball screw part number and overall length at time of order

Flanged Ball Nut – KGF-N



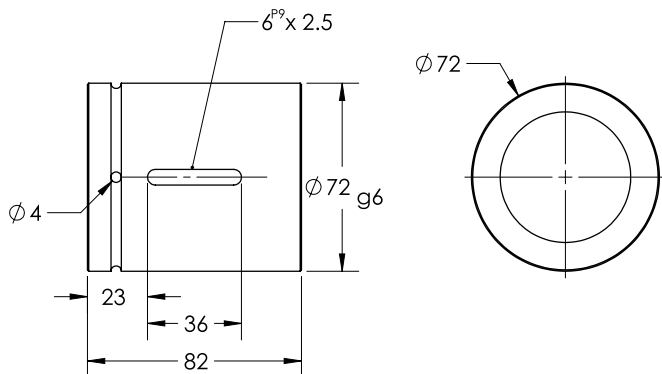
Thread Direction	Right Hand
Nut Material	1.7131 (ESP 65)
Max. Load (Dynamic / Static)	68.7 kN / 155.8 kN
Number of Circuits	5
Torque to Raise 1 kN	1.77 Nm
Nut Weight	2 kg
Preload Classes ⁽²⁾	See order code on page 98
Standard max. Backlash	0.084 mm
Ball Return Type	Single Circuit
Number of Balls	115
Wiper Type	Rubber
Part Number	0215200041

Cylindrical Ball Nut – KGM-D



Thread Direction	Right Hand
Nut Material	1.7131 (ESP 65)
Max. Load (Dynamic / Static)	68.7 kN / 155.8 kN
Number of Circuits	5
Torque to Raise 1 kN	1.77 Nm
Nut Weight	0.9 kg
Preload Classes ⁽²⁾	See order code on page 98
Standard max. Backlash	0.084 mm
Ball Return Type	Single Circuit
Number of Balls	155
Wiper Type	Rubber
Part Number	0215050110

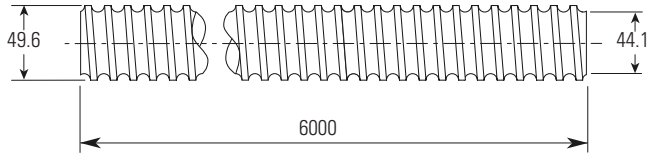
Cylindrical Ball Nut – KGM-N



Thread Direction	Right Hand
Nut Material	1.7131 (ESP 65)
Max. Load (Dynamic / Static)	68.7 kN / 155.8 kN
Number of Circuits	5
Torque to Raise 1 kN	0.885 Nm
Nut Weight	1.10 kg
Preload Classes ⁽²⁾	See order code on page 98
Standard max. Backlash	0.084 mm
Ball Return Type	Single Circuit Metal
Number of Balls	115
Wiper Type	Rubber
Part Number	0215050111

Ø 50 x 10 mm – Ball Screws – Rolled

Ball Screw

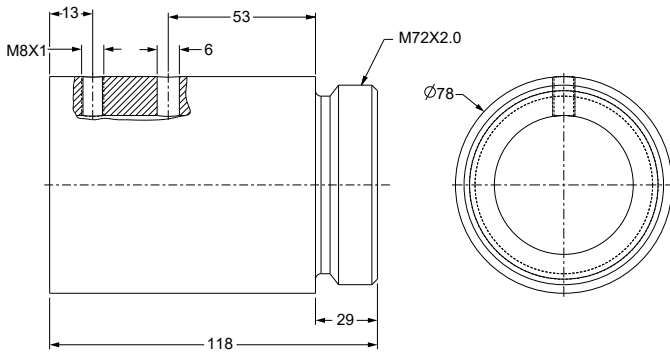


Note: Dimensional information for all End Journals and Bearing Supports is available on page 87 – 97. Information on required lubrication is on page 114.

Nominal Ball Screw Diameter	50 mm
Nominal Ball Screw Lead	10 mm
Thread Direction	Right Hand
Number of Thread Starts	1
Screw Material	CF53
Screw Weight	13.5 kg/m
Nominal Ball Diameter	7.144 mm
Lead Accuracy ⁽¹⁾ T7 Part Number	0220031

Ball screws can be cut to the length you require. Specify ball screw part number and overall length at time of order

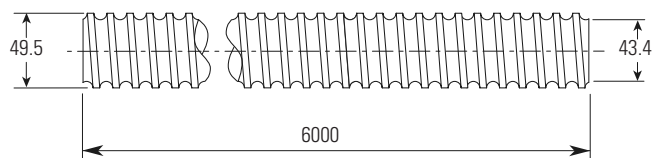
Threaded Ball Nut – KGM-G (ZG)



Thread Direction	Right Hand
Nut Material	1.7131 (ESP 65)
Max. Load (Dynamic / Static)	97.8 kN / 213.2 kN
Number of Circuits	6
Torque to Raise 1 kN	1.77 Nm
Nut Weight	2.0 kg
Preload Classes ⁽²⁾	See order code on page 98
Standard max. Backlash	0.084 mm
Ball Return Type	Single Circuit
Number of Balls	132
Wiper Type	Polymer
Part Number	0215050335

Ø 50 x 20 mm – Ball Screws – Rolled

Ball Screw

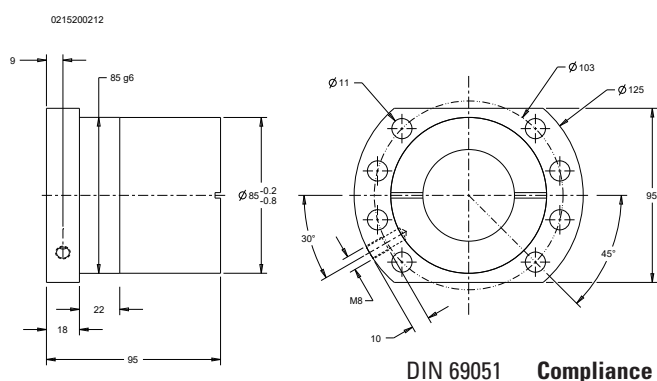


Note: Dimensional information for all End Journals and Bearing Supports is available on page 87 – 97. Information on required lubrication is on page 114.

Nominal Ball Screw Diameter	50 mm
Nominal Ball Screw Lead	20 mm
Thread Direction	Right Hand
Number of Thread Starts	2
Screw Material	CF53
Screw Weight	13.4 kg/m
Nominal Ball Diameter	7.144 mm
Lead Accuracy ⁽¹⁾ T7 Part Number	0220249

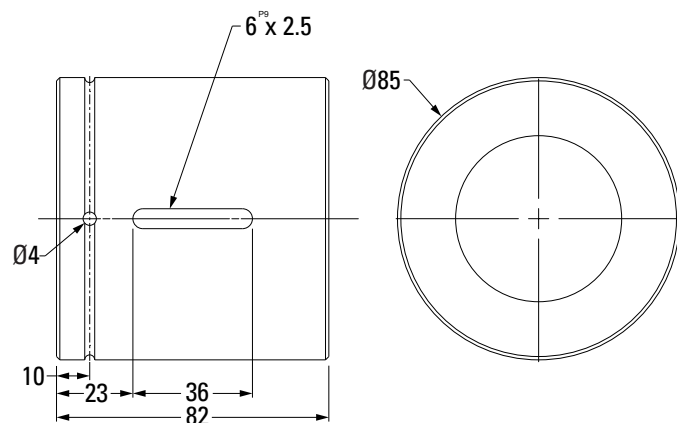
Ball screws can be cut to the length you require. Specify ball screw part number and overall length at time of order

Flanged Ball Nut – KGF-D



Thread Direction	Right Hand
Nut Material	1.7131 (ESP 65)
Max. Load (Dynamic / Static)	60.0 kN / 136.3 kN
Number of Circuits	4
Torque to Raise 1 kN	3.54 Nm
Nut Weight	2.5 kg
Preload Classes ⁽²⁾	See order code on page 98
Standard max. Backlash	0.084 mm
Ball Return Type	Channel
Number of Balls	100
Wiper Type	Rubber
Part Number	0215200212

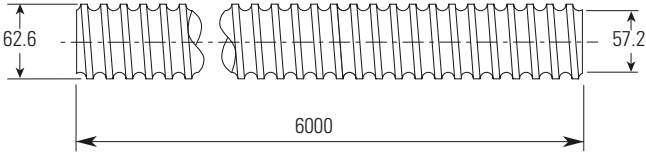
Cylindrical Ball Nut – KGM-N



Thread Direction	Right Hand
Nut Material	1.7131 (ESP 65)
Max. Load (Dynamic / Static)	60.0 kN / 136.3 kN
Number of Circuits	4
Torque to Raise 1 kN	3.54 Nm
Nut Weight	1.4 kg
Preload Classes ⁽²⁾	See order code on page 98
Standard max. Backlash	0.084 mm
Ball Return Type	Channel
Number of Balls	100
Wiper Type	Rubber
Part Number	0215050283

Ø 63 x 10 mm – Ball Screws – Rolled

Ball Screw

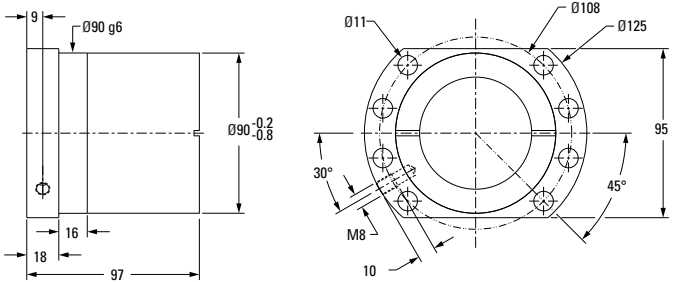


Note: Dimensional information for all End Journals and Bearing Supports is available on page 87 – 97. Information on required lubrication is on page 114.

Nominal Ball Screw Diameter	63 mm
Nominal Ball Screw Lead	10 mm
Thread Direction	Right Hand
Number of Thread Starts	1
Screw Material	CF53
Screw Weight	22.0 kg/m
Nominal Ball Diameter	7.144 mm
Lead Accuracy ⁽¹⁾ T7 Part Number	0220034

Ball screws can be cut to the length you require. Specify ball screw part number and overall length at time of order

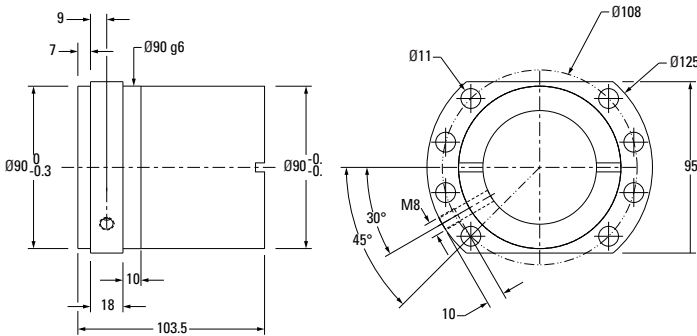
Flanged Ball Nut – KGF-D



DIN 69051 Compliance

Thread Direction	Right Hand
Nut Material	1.7131 (ESP 65)
Max. Load (Dynamic / Static)	76 kN / 197 kN
Number of Circuits	5
Torque to Raise 1 kN	1.77 Nm
Nut Weight	2.0 kg
Preload Classes ⁽²⁾	See order code on page 98
Standard max. Backlash	0.084 mm
Ball Return Type	Single Circuit
Number of Balls	140
Wiper Type	Rubber
Part Number	0215200086

Flanged Ball Nut – KGF-D (FK)

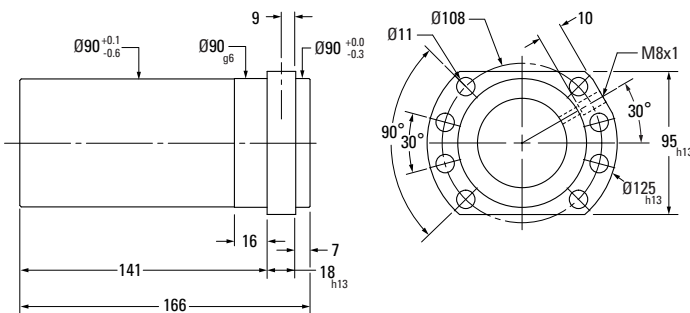


DIN 69051 Compliance

Thread Direction	Right Hand
Nut Material	1.7131 (ESP 65)
Max. Load (Dynamic / Static)	93.8 kN / 229.7 kN
Number of Circuits	5
Torque to Raise 1 kN	1.77 Nm
Nut Weight	2.0 kg
Preload Classes ⁽²⁾	See order code on page 98
Standard max. Backlash	0.084 mm
Ball Return Type	Single Circuit Metal
Number of Balls	140
Wiper Type	Polymer
Part Number	0215200279

Flanged Ball Nut – KGF-L (FL)

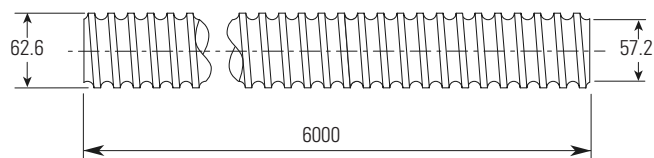
(can only be used with a P3 or P5 lead accuracy screw)



Thread Direction	Right Hand
Nut Material	
Max. Load (Dynamic / Static)	93.8 kN / 229.7 kN
Number of Circuits	5+5
Torque to Raise 1 kN	
Nut Weight	
Preload Classes ⁽²⁾	
Standard max. Backlash (Z0)	
Ball Return Type	EUS
Number of Balls	
Wiper Type	Polymer
Part Number	

Ø 63 x 10 mm – Ball Screws – Rolled

Ball Screw

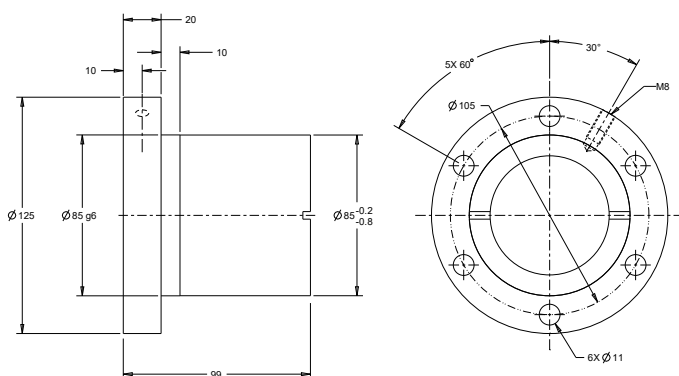


Note: Dimensional information for all End Journals and Bearing Supports is available on page 87 – 97. Information on required lubrication is on page 114.

Nominal Ball Screw Diameter	63 mm
Nominal Ball Screw Lead	10 mm
Thread Direction	Right Hand
Number of Thread Starts	1
Screw Material	CF53
Screw Weight	22.0 kg/m
Nominal Ball Diameter	7.144 mm
Lead Accuracy ⁽¹⁾ T7 Part Number	0220034

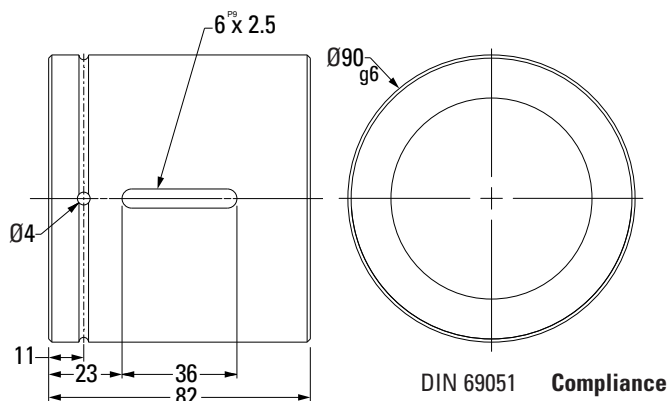
Ball screws can be cut to the length you require. Specify ball screw part number and overall length at time of order

Flanged Ball Nut – KGF-N



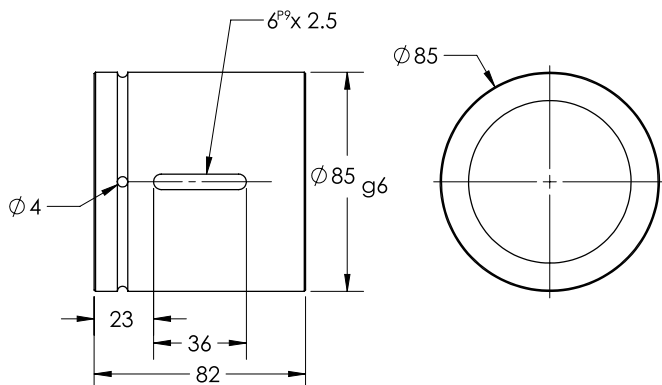
Thread Direction	Right Hand
Nut Material	1.7131 (ESP 65)
Max. Load (Dynamic / Static)	76 kN / 197 kN
Number of Circuits	5
Torque to Raise 1 kN	1.77 Nm
Nut Weight	2 kg
Preload Classes ⁽²⁾	See order code on page 98
Standard max. Backlash	0.084 mm
Ball Return Type	Single Circuit
Number of Balls	140
Wiper Type	Rubber
Part Number	0215200058

Cylindrical Ball Nut – KGM-D



Thread Direction	Right Hand
Nut Material	1.7131 (ESP 65)
Max. Load (Dynamic / Static)	68.7 kN / 155.8 kN
Number of Circuits	5
Torque to Raise 1 kN	1.77 Nm
Nut Weight	0.9 kg
Preload Classes ⁽²⁾	See order code on page 98
Standard max. Backlash	0.084 mm
Ball Return Type	Single Circuit
Number of Balls	140
Wiper Type	Rubber
Part Number	0215050109

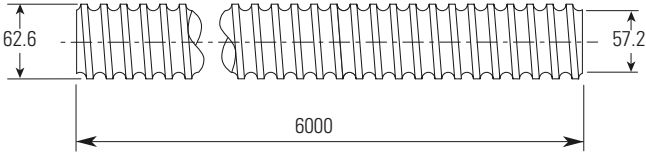
Cylindrical Ball Nut – KGM-N



Thread Direction	Right Hand
Nut Material	1.7131 (ESP 65)
Max. Load (Dynamic / Static)	76 kN / 197 kN
Number of Circuits	5
Torque to Raise 1 kN	0.885 Nm
Nut Weight	1.45 kg
Preload Classes ⁽²⁾	See order code on page 98
Standard max. Backlash	0.084 mm
Ball Return Type	Single Circuit Metal
Number of Balls	140
Wiper Type	Rubber
Part Number	0215050108

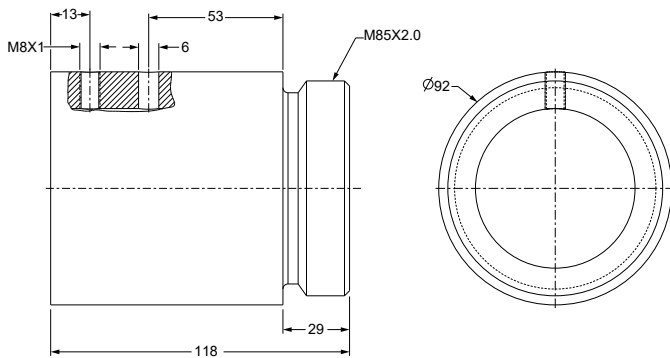
Ø 63 x 10 mm – Ball Screws – Rolled

Ball Screw



Note: Dimensional information for all End Journals and Bearing Supports is available on page 87 – 97. Information on required lubrication is on page 114.

Threaded Ball Nut – KGM-G (ZG)



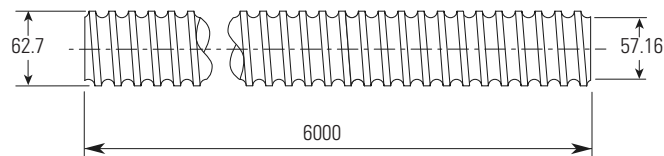
Nominal Ball Screw Diameter	63 mm
Nominal Ball Screw Lead	10 mm
Thread Direction	Right Hand
Number of Thread Starts	1
Screw Material	CF53
Screw Weight	22.0 kg/m
Nominal Ball Diameter	7.144 mm
Lead Accuracy ⁽¹⁾ T7 Part Number	0220034

Ball screws can be cut to the length you require. Specify ball screw part number and overall length at time of order

Thread Direction	Right Hand
Nut Material	1.7131 (ESP 65)
Max. Load (Dynamic / Static)	109.7 kN / 213.2 kN
Number of Circuits	6
Torque to Raise 1 kN	1.77 Nm
Nut Weight	2.0 kg
Preload Classes ⁽²⁾	See order code on page 98
Standard max. Backlash	0.084 mm
Ball Return Type	Single Circuit
Number of Balls	168
Wiper Type	Polymer
Part Number	0215050337

Ø 63 x 20 mm – Ball Screws – Rolled

Ball Screw

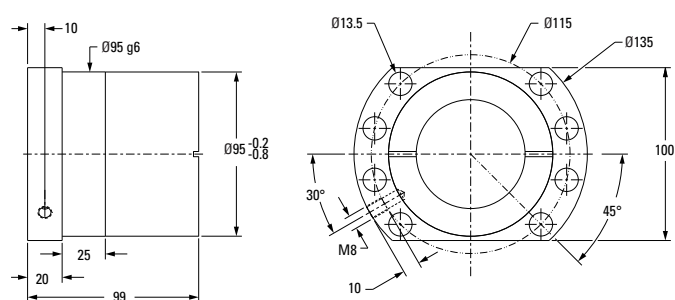


Note: Dimensional information for all End Journals and Bearing Supports is available on page 87 – 97. Information on required lubrication is on page 114.

Nominal Ball Screw Diameter	63 mm
Nominal Ball Screw Lead	20 mm
Thread Direction	Right Hand
Number of Thread Starts	2
Screw Material	CF53
Screw Weight	22 kg/m
Nominal Ball Diameter	7.14 mm
Lead Accuracy ⁽¹⁾ T7 Part Number	0205000236

Ball screws can be cut to the length you require. Specify ball screw part number and overall length at time of order

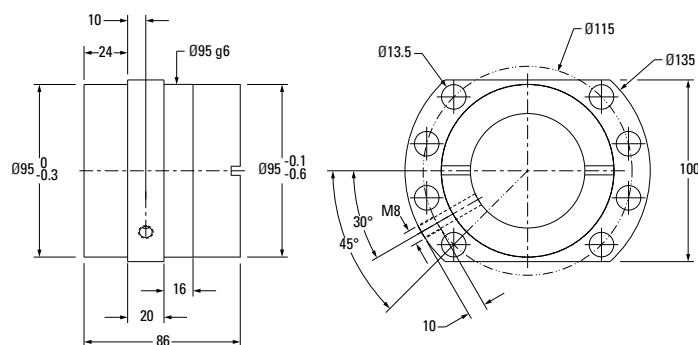
Flanged Ball Nut – KGF-D



DIN 69051 Compliance

Thread Direction	Right Hand
Nut Material	1.7131 (ESP 65)
Max. Load (Dynamic / Static)	78.4 kN / 173.4 kN
Number of Circuits	4
Torque to Raise 1 kN	3.54 Nm
Nut Weight	2.95 kg
Preload Classes ⁽²⁾	See order code on page 98
Standard max. Backlash	0.084 mm
Ball Return Type	Single Circuit Polymer
Number of Balls	96
Wiper Type	Rubber
Part Number	0215200240

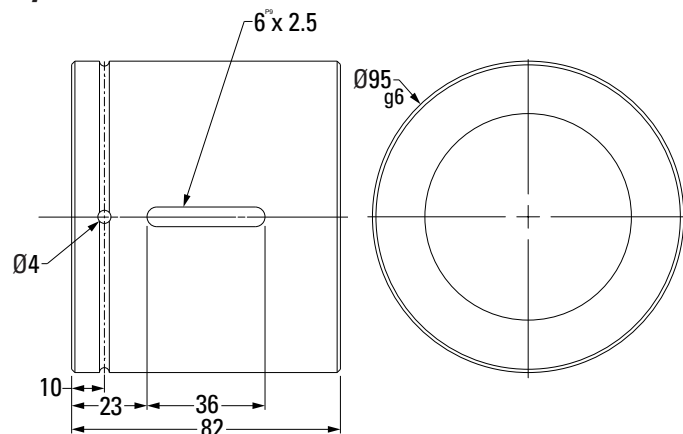
Flanged Ball Nut – KGF-D (FH)



DIN 69051 Compliance

Thread Direction	Right Hand
Nut Material	1.7131 (ESP 65)
Max. Load (Dynamic / Static)	103.1 kN / 270.8 kN
Number of Circuits	5.6
Torque to Raise 1 kN	3.54 Nm
Nut Weight	3.8 kg/m
Preload Classes ⁽²⁾	See order code on page 98
Standard max. Backlash	0.084 mm
Ball Return Type	End Cap
Number of Balls	96
Wiper Type	Polymer
Part Number	0215200325

Cylindrical Ball Nut – KGM-D

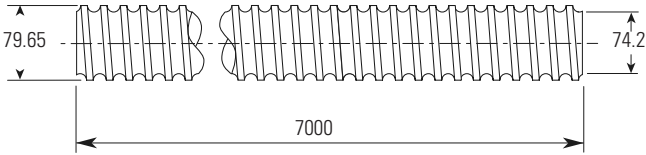


DIN 69051 Compliance

Thread Direction	Right Hand
Nut Material	1.7131 (ESP 65)
Max. Load (Dynamic / Static)	78.4 kN / 171.3 kN
Number of Circuits	4
Torque to Raise 1 kN	3.54 Nm
Nut Weight	1.95 kg
Preload Classes ⁽²⁾	See order code on page 98
Standard max. Backlash	0.084 mm
Ball Return Type	Channel
Number of Balls	96
Wiper Type	Rubber
Part Number	0215050297

Ø 80 x 10 mm – Ball Screws – Rolled

Ball Screw

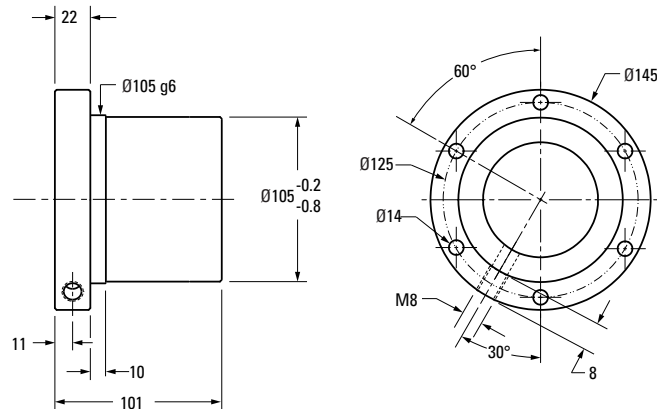


Note: Dimensional information for all End Journals and Bearing Supports is available on page 87 – 97. Information on required lubrication is on page 114.

Nominal Ball Screw Diameter	80 mm
Nominal Ball Screw Lead	10 mm
Thread Direction	Right Hand
Number of Thread Starts	1
Screw Material	CF53
Screw Weight	36.4 kg/m
Nominal Ball Diameter	7.144 mm
Lead Accuracy ⁽¹⁾ T7 Part Number	0220037

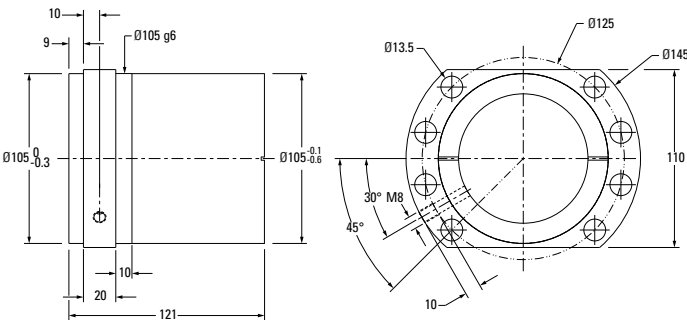
Ball screws can be cut to the length you require. Specify ball screw part number and overall length at time of order

Flanged Ball Nut – KGF-N



Thread Direction	Right Hand
Nut Material	1.7131 (ESP 65)
Max. Load (Dynamic / Static)	86.3 kN / 262.4 kN
Number of Circuits	5
Torque to Raise 1 kN	1.77 Nm
Nut Weight	3.9 kg
Preload Classes ⁽²⁾	See order code on page 98
Standard max. Backlash	0.08 mm
Ball Return Type	Single Circuit Polymer
Number of Balls	175
Wiper Type	Rubber
Part Number	0215200028

Flanged Ball Nut – KGF-D (FK)

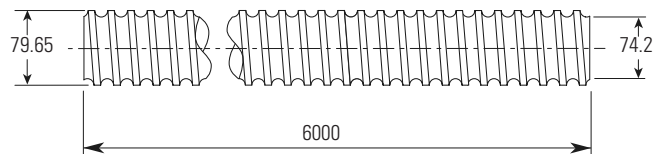


DIN 69051 Compliance

Thread Direction	Right Hand
Nut Material	1.7131 (ESP 65)
Max. Load (Dynamic / Static)	121.9 kN / 374.9 kN
Number of Circuits	6
Torque to Raise 1 kN	1.77 Nm
Nut Weight	3.9 kg
Preload Classes ⁽²⁾	See order code on page 98
Standard max. Backlash	0.084 mm
Ball Return Type	Single Circuit Metal
Number of Balls	210
Wiper Type	Polymer
Part Number	0215200326

Ø 80 x 10 mm – Ball Screws – Rolled

Ball Screw

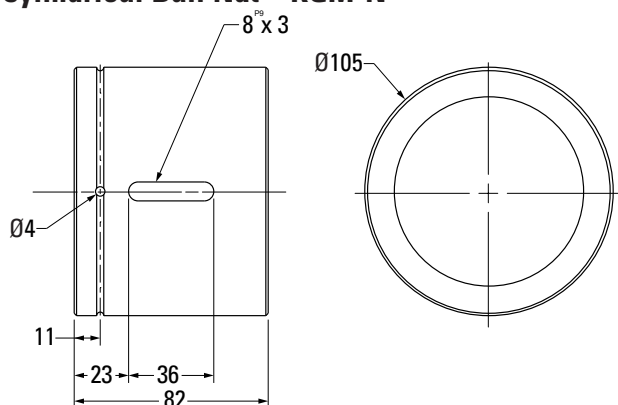


Note: Dimensional information for all End Journals and Bearing Supports is available on page 87 – 97. Information on required lubrication is on page 114.

Nominal Ball Screw Diameter	80 mm
Nominal Ball Screw Lead	10 mm
Thread Direction	Right Hand
Number of Thread Starts	1
Screw Material	CF53
Screw Weight	36.4 kg/m
Nominal Ball Diameter	7.144 mm
Lead Accuracy ⁽¹⁾ T7 Part Number	0220037

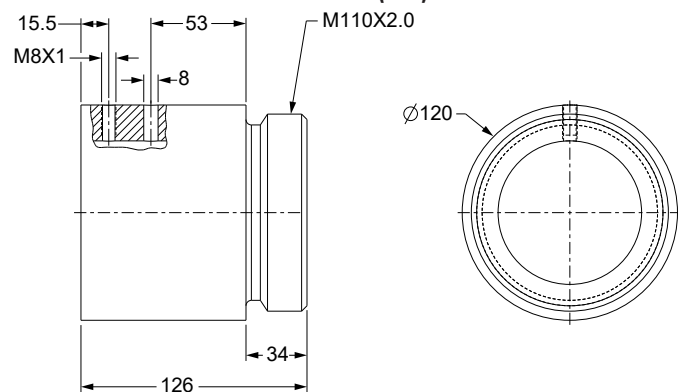
Ball screws can be cut to the length you require. Specify ball screw part number and overall length at time of order

Cylindrical Ball Nut – KGM-N



Thread Direction	Right Hand
Nut Material	1.7131 (ESP 65)
Max. Load (Dynamic / Static)	86.3 kN / 262.4 kN
Number of Circuits	5
Torque to Raise 1 kN	1.77 Nm
Nut Weight	3.9 kg
Preload Classes ⁽²⁾	See order code on page 98
Standard max. Backlash	0.08 mm
Ball Return Type	Single Circuit Polymer
Number of Balls	175
Wiper Type	Rubber
Part Number	0215050142

Threaded Ball Nut – KGM-G (ZG)



Thread Direction	Right Hand
Nut Material	1.7131 (ESP 65)
Max. Load (Dynamic / Static)	121.9 kN / 375 kN
Number of Circuits	6
Torque to Raise 1 kN	1.77 Nm
Nut Weight	4.9 kg
Preload Classes ⁽²⁾	See order code on page 98
Standard max. Backlash	0.18 mm
Ball Return Type	Single Circuit Metal
Number of Balls	210
Wiper Type	Polymer
Part Number	0215050346

Whirled And Ground Ball Screws

Manufacturing methods

- **Whirled (standard)**

Whirled ball screw shafts are produced using cutting plates in special materials. In this process, the raceway is cut into the previously hardened raw material in a single pass, or multiple passes for large balls.

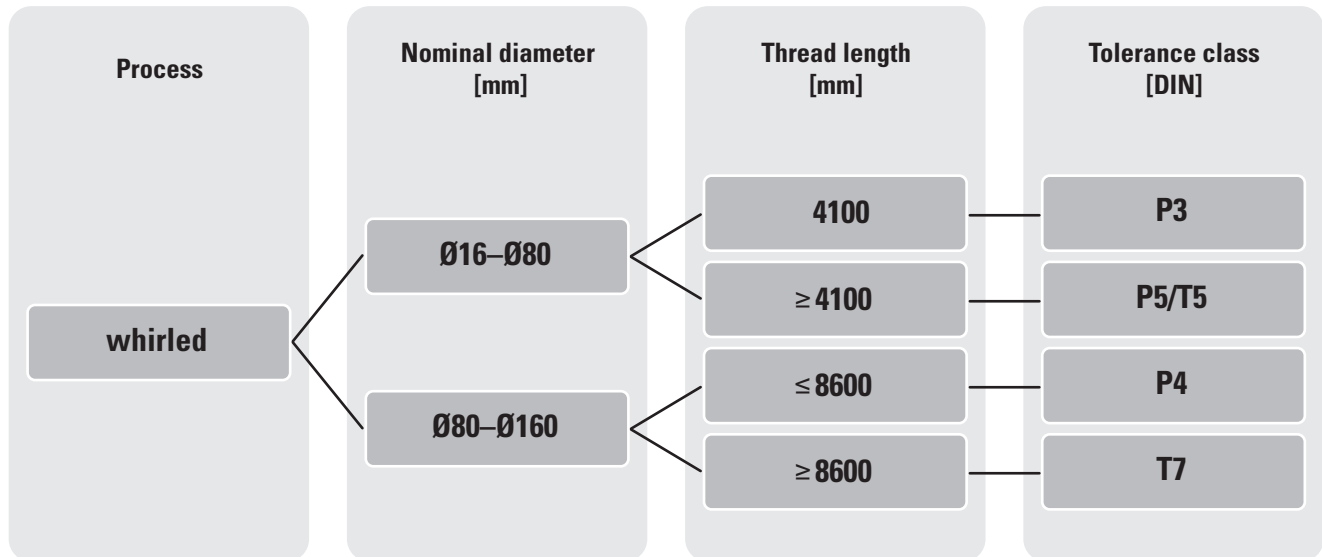
- **Ground**

Depending on the ball size, the raceway of ground ball screw shafts is either ground directly into the solid blank, or the blank is first whirled and then ground.

Tolerance classes

- **Whirled (standard)**

Whirled ball screw shafts are currently available in classes P3, P4 and P5 and also T5 and T7.



- **Ground**

Ground shafts are available upon request.

Whirled Ball Screws

Thomson whirled shafts are setting new standards:

- Higher or at least identical surface quality of the raceway compared to ground ball screws
- Better running in behavior, i.e. the ball nut's preloading is maintained longer
- Greater profile accuracy due to geometrically defined cutting of the cutting plates
- Greater service life due to the points listed above

Technical data

Thread:	Gothic thread profile
Diameter:	16–160 mm (other sizes on request)
Number of starts:	1–2
Lead:	As customer requirement
Thread direction:	Clockwise, counter-clockwise, right-hand/left-hand shaft
End journal:	As customer requirement



**Can't find the size you were looking for?
Contact Thomson Customer Support to help develop a custom solution
to fit your design needs.**

Ø 16 - Ø 63 mm – Ball Screws – Whirled – Single Return

Nominal diameter	Nominal lead	Ball diameter	Fit diameter	Nut length [mm] * L SEM or VEM-4 SEM single nut with backlash VEM-4 anti-backlash or preloaded single nut									
				Number of loaded turns									
d_0	P_{h0}	D_w	D_1	2	3	4	5	6	7	8	9	10	
[mm]	[mm]	[mm]	[mm]										
16	5	3.500	28	42.50	48.50	55.00	59.00	64.50	-	-	-	-	
20	5	3.500	36	42.50	48.50	54.00	59.00	68.50	70.00	76.00	-	-	
20	10	3.969	36	58.00	69.50	-	-	-	-	-	-	-	
25	5	3.500	40	43.50	49.50	55.00	60.00	69.50	71.00	77.00	83.00	88.50	
25	10	3.969	40	59.00	70.50	83.50	92.00	102.00	-	-	-	-	
32	5	3.500	50	45.50	51.50	57.00	62.00	67.50	73.00	83.00	85.00	90.50	
32	10	5.556	50	61.00	72.50	85.50	94.00	105.50	116.00	127.50	-	-	
32	15	5.556	56	76.00	93.50	110.00	128.50	147.50	-	-	-	-	
40	5	3.500	63	49.50	55.50	61.00	66.00	71.50	77.00	83.00	89.00	97.00	
40	10	6.350	63	67.00	79.00	89.50	100.00	110.50	122.00	142.00	145.50	157.00	
40	10	7.144	63	67.00	79.00	89.50	100.00	110.50	122.00	142.00	145.50	157.00	
40	15	6.350	63	78.50	96.00	112.50	128.00	143.50	161.00	178.50	-	-	
40	20	6.350	63	93.00	116.00	136.00	159.00	179.50	-	-	-	-	
50	5	3.500	75	51.50	57.50	63.00	68.00	73.50	79.00	85.00	91.00	96.50	
50	10	7.144	75	69.00	81.00	91.50	102.00	112.50	124.00	144.00	147.50	159.00	
50	20	7.938	75	96.50	120.00	141.50	162.50	186.50	206.50	230.00	-	-	
63	5	3.500	90	53.50	59.50	65.00	70.00	75.50	81.00	87.00	91.00	97.00	
63	10	7.144	90	71.00	83.00	93.50	104.00	114.50	126.00	138.00	146.00	166.00	
63	15	7.938	95	92.00	109.50	126.00	141.50	157.00	174.50	192.00	-	-	
63	20	9.525	95	106.50	130.00	151.50	172.50	209.50	216.50	240.00	-	-	
63	25	9.525	95	118.50	148.00	175.00	201.00	-	-	-	-	-	

Standard

* Nut lengths may vary

Nut length [mm] * L VEM-2 VEM-2 preloaded single nut							Nut length [mm] * L VDM VDM Preloaded double nut						
Number of loaded turns							Number of loaded turns						
2+2	3+3	4+4	5+5	6+6	7+7	8+8	2	3	4	5	6	7	8
55.00	68.50	-	-	-	-	-	-	-	-	-	-	-	-
53.50	68.50	80.00	-	-	-	-	-	-	-	-	-	-	-
-	-	-	-	-	-	-	-	-	-	-	-	-	-
58.50	69.50	81.00	91.00	-	-	-	-	-	-	-	-	-	-
83.50	110.50	-	-	-	-	-	-	-	-	-	-	-	-
60.50	71.50	83.00	93.00	103.00	115.00	-	75.00	87.00	97.50	108.00	118.50	130.00	142.00
85.50	105.50	129.00	-	-	-	-	105.50	129.00	150.50	171.50	192.00	215.50	239.00
121.00	153.50	-	-	-	-	-	133.50	168.50	201.00	232.50	263.50	-	-
64.50	75.50	87.00	97.00	111.00	119.00	130.50	79.00	91.00	101.50	112.00	122.50	134.00	146.00
97.00	119.00	142.00	162.00	-	-	-	114.00	137.50	159.00	180.00	201.00	224.00	247.50
97.00	119.00	142.00	162.00	-	-	-	114.00	137.50	159.00	180.00	201.00	224.00	247.50
123.50	156.00	191.00	-	-	-	-	136.50	171.50	204.00	235.50	266.50	301.50	336.50
136.00	196.00	-	-	-	-	-	165.00	212.00	255.00	297.00	338.50	-	-
66.50	77.50	89.00	99.00	109.00	121.00	132.50	81.00	93.00	103.50	114.00	124.50	136.00	148.00
99.00	120.50	144.00	164.00	184.00	-	-	116.00	139.50	161.00	182.00	203.00	226.00	249.50
156.50	186.50	233.50	-	-	-	-	170.50	217.00	260.50	302.50	343.50	390.50	437.00
68.50	79.50	91.00	101.00	111.00	123.00	-	89.00	101.00	111.50	122.00	132.50	144.00	156.00
101.00	123.00	146.00	166.00	186.00	-	-	124.00	147.50	169.00	190.00	211.00	234.00	257.50
137.00	169.50	199.50	-	-	-	-	159.50	194.50	227.00	258.50	289.50	324.50	359.50
166.00	209.50	259.50	-	-	-	-	188.50	235.00	278.50	320.50	361.50	408.50	455.00
193.50	-	-	-	-	-	-	212.50	271.00	325.00	377.50	-	-	-

Standard

* Nut lengths may vary

Ø 16 - Ø 63 mm – Ball Screws – Whirled – Single Return

Nominal diameter	Nominal lead	Ball diameter	Fit diameter	Modified dynamic rated load [kN]									
				C_{am}									
d_0	P_{h0}	D_w	D_1	Number of loaded turns									
[mm]	[mm]	[mm]	[mm]	2	3	4	5	6	7	8	9	10	
16	5	3.500	28	6.70	9.40	12.10	14.70	17.20	-	-	-	-	
20	5	3.500	36	8.10	11.50	14.80	17.90	20.90	23.90	26.80	-	-	
20	10	3.969	36	8.70	12.40	-	-	-	-	-	-	-	
25	5	3.500	40	9.60	13.60	17.40	21.10	24.70	28.20	31.60	35.00	38.30	
25	10	3.969	40	10.40	14.80	19.00	23.00	26.90	-	-	-	-	
32	5	3.500	50	10.90	15.50	19.80	24.00	28.10	32.10	36.00	39.80	43.60	
32	10	5.556	50	18.60	26.40	33.80	40.90	47.90	54.70	61.30	-	-	
32	15	5.556	56	17.60	24.90	31.90	38.70	45.20	-	-	-	-	
40	5	3.500	63	12.20	17.30	22.10	26.80	31.40	35.80	40.20	44.50	48.70	
40	10	6.350	63	29.70	42.10	53.90	65.30	76.40	87.20	97.80	108.20	118.50	
40	10	7.144	63	35.70	50.60	64.90	78.60	91.90	104.90	117.70	130.30	142.60	
40	15	6.350	63	29.50	41.90	53.60	65.00	76.00	86.80	97.30	-	-	
40	20	6.350	63	28.00	39.70	50.90	61.60	72.10	-	-	-	-	
50	5	3.500	75	12.70	18.00	23.00	27.90	32.60	37.20	41.80	46.20	50.60	
50	10	7.144	75	38.00	53.90	69.00	83.60	97.80	111.70	125.30	138.60	151.80	
50	20	7.938	75	41.20	58.40	74.80	90.60	106.00	121.00	135.80	-	-	
63	5	3.500	90	14.10	20.00	25.60	31.00	36.30	41.50	46.50	51.50	56.40	
63	10	7.144	90	43.90	62.20	79.60	96.50	112.90	128.90	144.50	159.90	175.10	
63	15	7.938	95	49.60	70.30	90.00	109.00	127.50	145.60	163.30	-	-	
63	20	9.525	95	61.90	87.70	112.30	136.00	159.10	181.70	203.80	-	-	
63	25	9.525	95	59.20	83.90	107.40	130.20	-	-	-	-	-	

Standard

Modified static rated load [kN]

 C_{0am}

Number of loaded turns

2	3	4	5	6	7	8	9	10
7.20	10.90	14.50	18.10	21.70	-	-	-	-
10.30	15.50	20.70	25.80	31.00	36.20	41.30	-	-
10.30	15.40	-	-	-	-	-	-	-
14.20	21.30	28.40	35.50	42.70	49.80	56.90	64.00	71.10
14.30	21.40	28.50	35.60	42.80	-	-	-	-
18.90	28.40	37.90	47.30	56.80	66.30	75.70	85.20	94.70
26.00	39.00	52.00	65.00	78.00	91.00	104.00	-	-
24.00	36.00	48.00	60.00	72.00	-	-	-	-
24.40	36.70	48.90	61.10	73.30	85.60	97.80	110.00	122.20
46.50	69.70	93.00	116.20	139.40	162.70	185.90	209.20	232.40
54.50	81.80	109.00	136.30	163.50	190.80	218.00	245.30	272.50
46.30	69.50	92.60	115.80	138.90	162.10	185.20	-	-
43.00	64.50	86.00	107.50	129.00	-	-	-	-
31.50	47.30	63.10	78.80	94.60	110.30	126.10	141.90	157.60
71.10	106.60	142.20	177.70	213.20	248.80	284.30	319.80	355.40
72.30	108.40	144.60	180.70	216.90	253.00	289.20	-	-
41.00	61.50	82.00	102.40	122.90	143.40	163.90	184.40	204.90
95.90	143.80	191.70	239.70	287.60	335.50	383.50	431.40	479.30
102.90	154.40	205.90	257.30	308.80	360.30	411.70	-	-
118.60	177.90	237.30	296.60	355.90	415.20	474.50	-	-
111.40	167.00	222.70	278.40	-	-	-	-	-

Standard

Ø 80 - Ø 160 mm – Ball Screws – Whirled – Single Return

Nominal diameter	Nominal lead	Ball diameter	Fit diameter	Nut length [mm] * L SEM or VEM-4 SEM single nut with backlash VEM-4 anti-backlash or preloaded single nut									
				Number of loaded turns									
d_0	P_{h0}	D_w	D_1	2	3	4	5	6	7	8	9	10	
[mm]	[mm]	[mm]	[mm]										
80	10	7.144	105	77.00	89.00	99.50	110.00	120.50	132.00	144.00	155.50	167.00	
80	20	12.700	125	115.50	139.00	160.50	181.50	202.50	225.50	265.50	272.50	295.50	
80	25	12.700	125	127.50	157.00	184.00	210.00	236.00	265.00	-	-	-	
80	30	12.700	125	138.50	173.50	206.00	237.50	268.50	-	-	-	-	
100	10	7.144	125	81.00	93.00	103.50	114.00	124.50	136.00	148.00	159.50	171.00	
100	20	14.288	150	124.50	148.00	169.50	190.50	211.50	234.50	258.00	-	-	
100	25	14.288	150	137.50	166.50	194.00	220.00	246.00	275.00	304.00	-	-	
100	30	12.700	150	145.50	180.50	213.00	244.50	275.50	310.50	345.50	-	-	
100	40	12.700	150	172.50	219.50	262.50	304.50	346.00	-	-	-	-	
125	10	7.144	150	84.00	96.00	106.50	117.00	127.50	139.00	151.00	159.00	170.50	
125	20	14.288	170	124.50	148.00	169.50	190.50	211.50	234.50	258.00	274.50	297.00	
125	25	19.050	200	143.00	172.50	199.50	225.50	251.50	280.50	310.00	339.00	-	
125	30	19.050	200	155.50	190.50	223.00	254.50	285.50	320.50	-	-	-	
125	40	19.050	200	178.50	225.50	268.50	310.50	352.00	-	-	-	-	
160	20	14.288	210	134.50	158.00	179.50	200.50	221.50	244.50	268.00	291.50	314.50	
160	25	19.050	260	153.00	182.50	209.50	235.50	261.50	290.50	320.00	349.00	-	
160	30	19.050	260	165.50	200.50	233.00	264.50	295.50	330.50	365.50	-	-	

Standard

* Nut lengths may vary

Nut length [mm] * L VEM-2 VEM-2 preloaded single nut							Nut length [mm] * L VDM VDM Preloaded double nut						
Number of loaded turns							Number of loaded turns						
2+2	3+3	4+4	5+5	6+6	7+7	8+8	2	3	4	5	6	7	8
107.00	129.00	152.00	172.00	192.00	215.50	239.00	131.00	154.50	176.00	197.00	218.00	241.00	264.50
175.50	219.00	265.50	299.00	-	-	-	201.50	248.50	291.50	333.50	375.00	421.50	468.50
202.50	257.00	-	-	-	-	-	225.50	284.00	338.00	390.50	442.00	500.50	-
228.50	293.50	-	-	-	-	-	247.50	317.50	382.50	445.50	507.50	-	-
111.00	133.00	156.00	184.00	196.00	219.50	243.00	150.00	173.50	195.00	216.00	237.00	260.00	283.50
-	-	-	-	-	-	-	217.50	264.50	307.50	349.50	391.00	437.50	484.50
-	-	-	-	-	-	-	243.00	301.50	355.50	408.00	459.50	518.00	576.50
230.50	300.50	370.50	-	-	-	-	259.50	329.50	394.50	457.50	519.50	589.50	659.50
286.00	379.50	-	-	-	-	-	313.50	407.00	493.50	577.50	660.50	-	-
112.50	136.00	159.00	179.00	199.00	222.50	-	153.00	176.50	198.00	219.00	240.00	263.00	286.50
-	-	-	-	-	-	-	217.50	264.50	307.50	349.50	391.00	437.50	484.50
-	-	-	-	-	-	-	254.50	313.00	367.00	419.50	471.50	529.50	588.00
-	-	-	-	-	-	-	279.50	349.50	414.50	477.50	539.50	609.50	-
-	-	-	-	-	-	-	325.50	419.00	505.50	589.50	672.50	-	-
-	-	-	-	-	-	-	227.50	274.50	317.50	359.50	401.00	447.50	494.50
-	-	-	-	-	-	-	264.50	323.00	377.00	429.50	481.50	539.50	598.00
-	-	-	-	-	-	-	289.50	359.50	424.50	487.50	549.50	619.50	689.50

Standard

* Nut lengths may vary

Ø 80 - Ø 160 mm – Ball Screws – Whirled – Single Return

Nominal diameter	Nominal lead	Ball diameter	Fit diameter	Modified dynamic rated load [kN]									
				C_{am}									
d_0	P_{h0}	D_w	D_1	Number of loaded turns									
[mm]	[mm]	[mm]	[mm]	2	3	4	5	6	7	8	9	10	
80	10	7.144	105	48.40	68.60	87.90	106.40	124.50	142.20	159.50	176.50	193.20	
80	20	12.700	125	97.20	137.70	176.40	213.70	250.00	285.40	320.20	354.30	387.90	
80	25	12.700	125	97.00	137.40	176.00	213.30	249.50	284.80	-	-	-	
80	30	12.700	125	96.70	137.10	175.60	212.70	248.80	-	-	-	-	
100	10	7.144	125	51.10	72.40	92.70	112.30	131.30	149.90	168.20	186.10	203.80	
100	20	14.288	150	127.40	180.60	231.30	280.20	327.80	374.20	419.80	-	-	
100	25	14.288	150	122.70	174.00	222.80	269.90	315.70	360.50	404.40	-	-	
100	30	12.700	150	103.80	147.10	188.40	228.20	267.00	304.80	341.90	-	-	
100	40	12.700	150	103.40	146.50	187.60	227.30	265.90	-	-	-	-	
125	10	7.144	150	56.50	80.00	102.50	124.20	145.30	165.90	186.10	205.90	225.40	
125	20	14.288	170	142.10	201.40	257.90	312.50	365.50	417.30	468.10	518.00	567.10	
125	25	19.050	200	201.00	284.80	364.80	442.00	517.00	590.30	662.10	732.70	-	
125	30	19.050	200	200.80	284.50	364.40	441.50	516.40	589.60	-	-	-	
125	40	19.050	200	200.20	283.80	363.40	440.30	515.00	-	-	-	-	
160	20	14.288	210	162.20	229.90	294.50	356.80	417.30	476.50	534.50	591.40	647.50	
160	25	19.050	260	233.90	331.50	424.60	514.40	601.70	687.00	770.60	852.70	-	
160	30	19.050	260	233.80	331.30	424.30	514.00	601.30	686.50	770.10	-	-	

Standard

Modified static rated load [kN]

 C_{0am}

Number of loaded turns								
2	3	4	5	6	7	8	9	10
129.00	193.50	258.00	322.50	387.00	451.50	516.00	580.50	645.00
198.40	297.50	396.70	495.90	595.10	694.30	793.40	892.60	991.80
198.00	297.10	396.10	495.10	594.10	693.10	-	-	-
197.60	296.50	395.30	494.10	592.90	-	-	-	-
162.30	243.50	324.70	405.80	487.00	568.20	649.30	730.50	811.70
300.20	450.30	600.40	750.50	900.60	1050.70	1200.80	-	-
284.10	426.10	568.20	710.20	852.30	994.30	1136.40	-	-
250.50	375.70	501.00	626.20	751.50	876.70	1002.00	-	-
249.70	374.50	499.40	624.20	749.00	-	-	-	-
208.10	312.10	416.20	520.20	624.20	728.30	832.30	936.40	1040.40
383.40	575.10	766.80	958.50	1150.20	1341.90	1533.60	1725.30	1917.00
322.70	484.10	645.40	806.80	968.10	1129.50	1290.80	1452.20	-
322.40	483.70	644.90	806.10	967.30	1128.60	-	-	-
321.80	482.70	643.50	804.40	965.30	-	-	-	-
516.10	774.10	1032.10	1290.20	1548.20	1806.20	2064.20	2322.30	2580.30
442.20	663.30	884.40	1105.60	1326.70	1547.80	1768.90	1990.00	-
442.00	663.00	884.00	1105.00	1326.00	1547.00	1768.00	-	-

Standard

Ball Nuts With DIN Flange For Whirled Ball Screws

Nominal diameter		Lead	D ₁	D ₄	D ₅	D ₆	D _B	L ₁	L ₃	L ₇	L ₈	L ₁₀	Drilling pattern	Fastening screws	Maximum operating force for screws F _{bmax}		Tightening torque for screws T _a
															Dyn.	Stat.	
d ₀		P _h	D ₁	D ₄	D ₅	D ₆	D _B	L ₁	L ₃	L ₇	L ₈	L ₁₀			Dyn.	Stat.	
[mm]		[mm]	[mm]	[mm]	[mm]	[mm]	[-]	[mm]	[mm]	[mm]	[mm]	[mm]	[-]	[-]	[kN]	[kN]	[Nm]
16	≤	5	28	38	5.5	48	M6x1	10	5.5	10	40	8	1	M5	12	40	6
16	>	5	32	42	5.5	52	M6x1	10	5.5	10	40	8	1	M5	12	40	6
20	>	1	36	47	6.6	58	M6x1	10	5.5	10	44	8	1	M6	16	63	10
25	≤	5	40	51	6.6	62	M6x1	10	6	10	48	8	1	M6	16	63	10
25	>	5	40	51	6.6	62	M6x1	10	6	10	48	8	1	M6	16	63	10
32	≤	10	50	65	9	80	M6x1	10	6	12	62	8	1	M8	32	100	25
32	>	10	56	71	9	86	M6x1	20	6	14	65	8	1	M8	32	100	25
40	<	10	63	78	9	93	M8x1	10	7	14	70	10	2	M8	40	150	25
40	≥	10	63	78	9	93	M8x1	20	7	14	70	10	2	M8	40	150	25
40•	>	10	70	85	9	100	M8x1	25	7	14	75	10	2	M8	40	150	25
50	≤	10	75	93	11	110	M8x1	10	7	16	85	10	2	M10	80	225	49
50	>	10	75	93	11	110	M8x1	20	7	16	85	10	2	M10	80	225	49
50•	>	10	82	100	11	118	M8x1	25	7	16	92	10	2	M10	80	225	49
63	≤	10	90	108	11	125	M8x1	10	7	18	95	10	2	M10	80	225	49
63	>	10	95	115	13.5	135	M8x1	25	9	20	100	10	2	M12	125	320	86
63•	>	10	105	125	13.5	145	M8x1	25	9	20	110	10	2	M12	125	320	86
80	≤	10	105	125	13.5	145	M8x1	12	9	20	110	10	2	M12	125	320	86
80	>	10	125	145	13.5	165	M8x1	25	9	25	130	10	2	M12	125	320	86
80•	>	10	135	155	13.5	175	M8x1	25	9	25	140	10	2	M12	125	320	86
100	≤	10	125	145	13.5	165	M8x1	10	10	22	130	10	2	M12	125	320	86
100	>	10	150	176	17.5	202	M8x1	25	10	30	155	10	2	M16	250	630	210
100•	>	10	160	186	17.5	212	M8x1	40	10	30	165	10	2	M16	250	630	210
125	≤	10	150	176	17.5	202	M8x1	10	10	25	155	10	2	M16	250	630	210
125	>	10	170	196	17.5	222	M8x1	25	10	30	175	10	2	M16	250	630	210
125•	>	10	200	233	22	265	M8x1	40	10	30	205	10	2	M20	400	1000	410
160	≤	10	185	212	17.5	240	M8x1	10	10	30	190	10	2	M16	250	630	210
160	>	10	210	243	22	275	M8x1	25	10	40	215	10	2	M20	400	1000	410
160•	>	10	260	300	22	340	M8x1	40	10	40	265	10	2	M20	400	1000	410

• Secondary size

¹Basis for screw calculation:

Cheese head screws complying with EN ISO 4762, property class 8.8, maximum operating forces F_{bmax} at 90% exploitation of the yield point, safety factor v=0.8 additionally taken into consideration, friction factor μ_{ges}= 0.14 for untreated, oiled screws.

Tighten using torque wrench to torque T_a. Operating forces in excess of this shall be absorbed by the use of screws complying with EN ISO 4762 in higher property classes

High-Load Ball Screws

These ball screws move more than twice the load of a standard ball screw, while providing significantly longer and more reliable life with high stiffness and minimum maintenance.

Any new application requires careful analysis of product performance, life and cost. Especially those that take on larger loads. Given that Thomson high-load ball screw technology exceeds more than twice the load capacity of a standard ball screw, it is wise to consider these screws for your next high-load application.

Reliable performance

Thomson has manufactured ball screws and nuts for nearly a century. Our background in flight-critical aerospace and defense applications uniquely positions us to provide the highest levels of quality across all of our ball screw products.

Standard and custom offerings

Thomson provides a standard range of high-load ball screws from 40 - 160 mm diameter with a maximum of 1,440 kN dynamic load capacity. The materials used to manufacture ball screws are critical to their performance. Thomson has decades of experience working with a wide range of standard and non-standard materials. Our experts can recommend the materials or coatings best suited for your application.

Customized ball screw assemblies according to specific application demands are also available upon request.

Consistent quality and delivery

A combination of advanced engineering and proprietary manufacturing processes consistently exceed performance, precision and life versus comparable ball screws.



Comparing Thomson High-load Ball Screws To Other Screw Technologies

Screw Technology Comparison

Screw Type	Standard Ball Screw	High-load Ball Screw	Roller Screw
Size Compactness	++	++++	+++
Price	++++	+++	+

Higher load capacity, longer lifetime

The life of the assembly is a direct function of the load capacity. Thomson has developed a high-load ball screw by implementing a unique design that provides longer lifetimes when compared to traditional ball screws. Using a high-load ball screw in a low-load application extends the life of the product by four to eight times.

A longer lifetime makes Thomson high-load ball screws an attractive option for engineers looking to replace a roller screw or hydraulic system in their applications.

Cost savings, smaller footprint

High-load ball screws offer a space-saving design at an economical price.

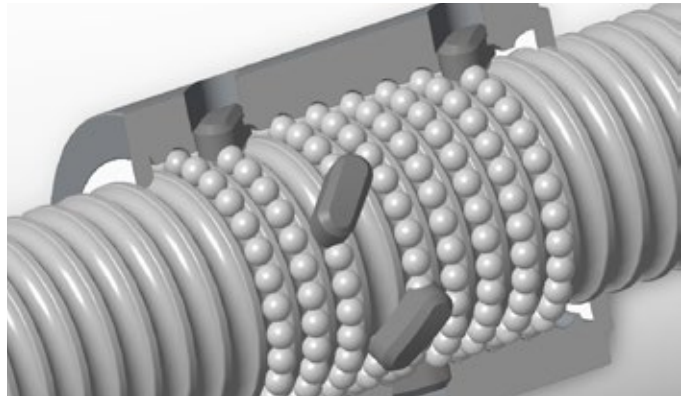
A standard configuration ball screw is capable of providing a high-load solution but would require a larger screw diameter, which adds to cost and footprint needed.

A roller screw is also capable of moving high-loads but has a nut that is close to 50% larger at 150% the price of a comparable high-load ball screw.

Roller screws also require extensive upfront precision machining and a more complex assembly, which contributes to an overall higher cost and larger footprint for final installation.



Thomson high-load ball screws improve performance in a smaller package, extend product life and save money. Their unique design increases the ball screw load capacity, resulting in an ideal fit for any application with a need for high thrust.



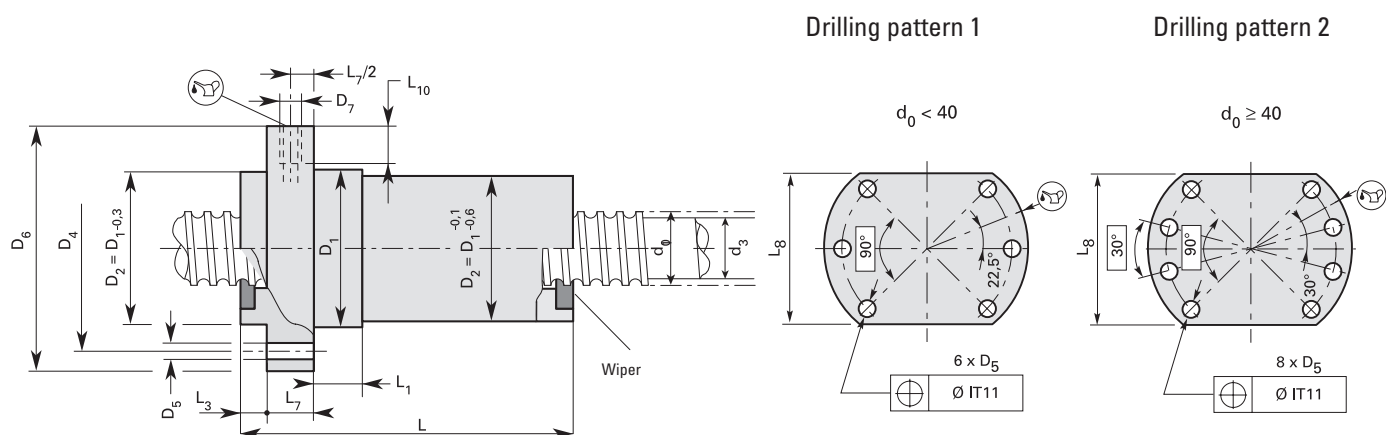
Thomson high-load ball nuts offer a faultless, gentle recirculation of the balls and precise positioning.

Features & Highlights

- Increased capacity for high-load applications at high speeds and long lifetimes.
- More economic solution vs. roller screws.
- Lead accuracy of up to $\pm 6 \mu\text{m}/300 \text{ mm}$.
- Compact, simple design allows for downsizing, less weight.
- Optimized ball nut design for maximizing load capacity.
- Available with up to 15 m screw length and with single or double nuts.
- Multiple preloading options available.
- Smooth, quiet motion.

Whirled High-Load Ball Screws – Standard Range

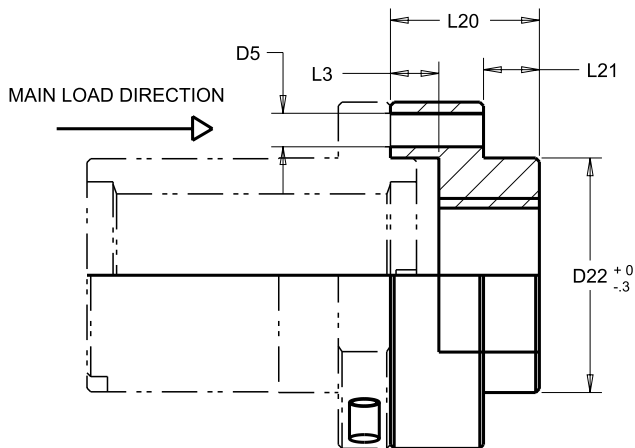
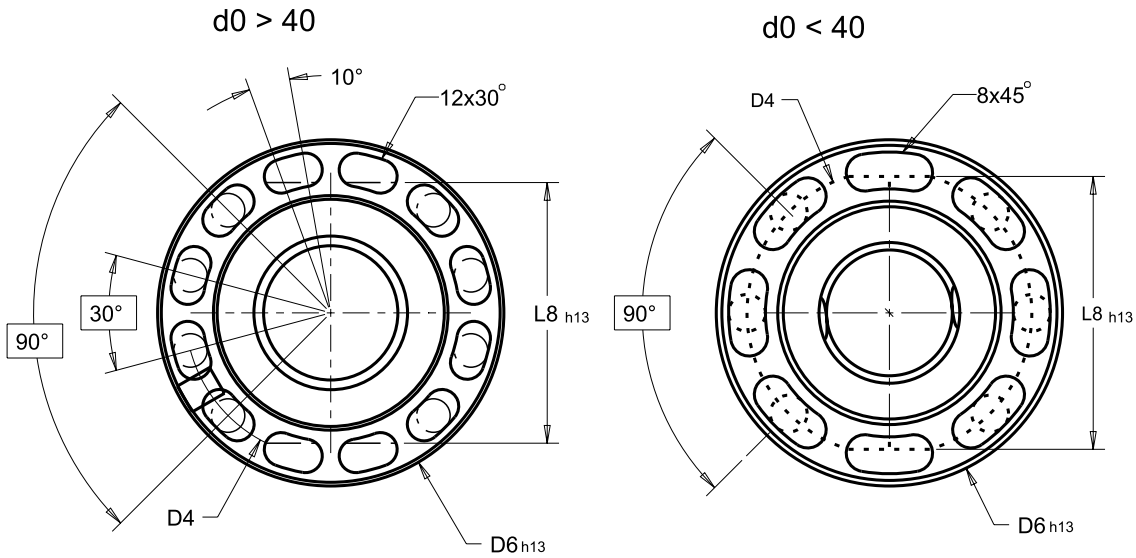
Only available with single nuts with backlash (SEM)



d_0 [mm]	P_h [mm]	D_w [mm]	D_1 [mm]	i [each]	L [mm]	C_{am} [kN]	C_{0am} [kN]	D_4 [mm]	D_5 [mm]	D_6 [mm]	D_B [mm]	L_1 [mm]	L_3 [mm]	L_7 [mm]	L_8 [mm]	L_{10} [mm]
40	12	7.938	75	8	165.0	220	434	93	11	110	M8x1	25	7	16	85	10
50	20	9.525	90	5.8	152.0	259.4	603.4	108	11	125	M8x1	25	7	20	95	10
50	25	9.525	90	5.8	177.5	258	600.9	108	11	125	M8x1	25	7	20	95	10
50	100	9.525	90	2.4	111.0	100.8	231.8	108	11	125	M8x1	25	7	16	95	10
63	20	12.700	105	8	249.0	478.6	1108.7	125	13.5	145	M8x1	25	9	25	110	10
63	25	12.700	120	5.8	185.5	419.8	1002.2	145	13.5	165	M8x1	30	9	25	130	10
80	20	14.288	135	9	280.5	690.2	1860.8	155	13.5	175	M8x1	30	9	30	140	10
80	25	14.288	135	7	273.0	554.8	1445	155	13.5	175	M8x1	30	9	30	140	10
100	20	14.288	160	8	252.0	709.3	2276.5	186	17.5	212	M8x1	40	10	30	165	10
100	25	19.050	160	8	310.0	968.4	1843.8	189	17.5	212	M8x1	40	10	30	165	10
125	20	14.288	200	11	338.0	1040.1	3997.8	233	22	265	M8x1	40	10	40	205	10
125	25	19.050	200	9	349.0	1238	2753.2	233	22	265	M8x1	40	10	40	205	10
125	30	19.050	200	7	330.5	996.3	2139.6	233	22	265	M8x1	40	10	40	205	10
160	20	14.288	260	12	357.0	1279.9	5870.3	300	22	340	M8x1	40	10	45	265	10
160	25	19.050	260	9	354.0	1440.8	3772.8	300	22	340	M8x1	40	10	45	265	10
160	30	19.050	260	8	370.5	1301.2	3351.9	300	22	340	M8x1	40	10	45	265	10

Dimensions do not comply with DIN

SFM Safety Nut

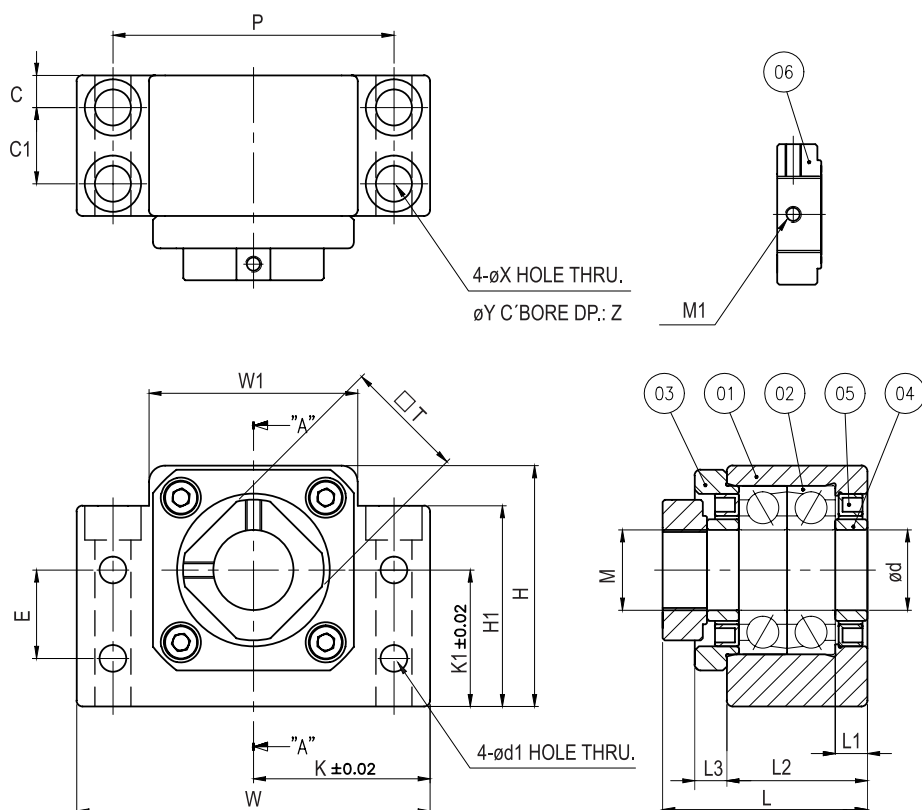


The safety nut is an optional part to a flanged ballscrew. The safety nut basically works just like a normal ballscrew nut. If the axial play increases due to wear, ball breakage or ball loss, the thread of the safety unit comes into contact with the ballscrew. This means the nut cannot be penetrated. The normal function of the unit is guaranteed up to an axial play of 0.5 mm. Thomson also offers complete units with integrated safety nuts. Please ask your Thomson representative.

Size	ID number	Dimensions [mm]									Max. load [kN]	
		D _w	D6	D4	D22	D5	L20	L21	L3	rl	Cos	
1605	-	3.500	48	38	28	8x5.5	25	12	8.5	1.4	60	
2005	-	3.500	58	47	36	8x5.5	25	12	9	1.4	75	
2505	0215901630	3.500	62	51	40	8x5.5	25	12	9	1.4	-	
2525	0215900326	3.500	62	51	40	8x5.5	35	10	16	1.4	95	
3205	-	3.500	80	65	50	8x9	30	15	9	1.4	160	
3210	0215901419	5.556	80	65	50	8x9	30	15	11.5	2	95	
4005	-	3.500	93	78	63	12x9	35	15	10	1.4	240	
4010	0215901389	7.144	93	78	63	12x9	40	15	13	2.6	235	
4020	-	-	93	78	63	12x9	40	15	12	2.5	115	
5010	0215901404	7.144	110	93	75	12x11	40	15	15	2.6	285	
5020	-	-	110	93	75	12x11	40	15	14	2.9	160	
6310	0215901123	7.144	125	108	90	12x11	40	15	15	2.6	350	
6320	-	-	135	115	95	12x13.5	40	20	17	3.8	235	
8010	0215900895	7.144	145	105	105	12x13.5	40	20	14	2.6	430	
8020	0215900831	12.700	165	125	125	12x13.5	45	20	19	4.6	450	

BK Type Bearing Units For Ball Screws – Fixed Bearing

BK 10, 12, 15, 17, 20, 25, 30, 35, 40



No.	Designation	Quantity
01	housing	1
02	bearing *	2
03	pressure plate	1
04	collar	2
05	seal	2
06	lock nut	1

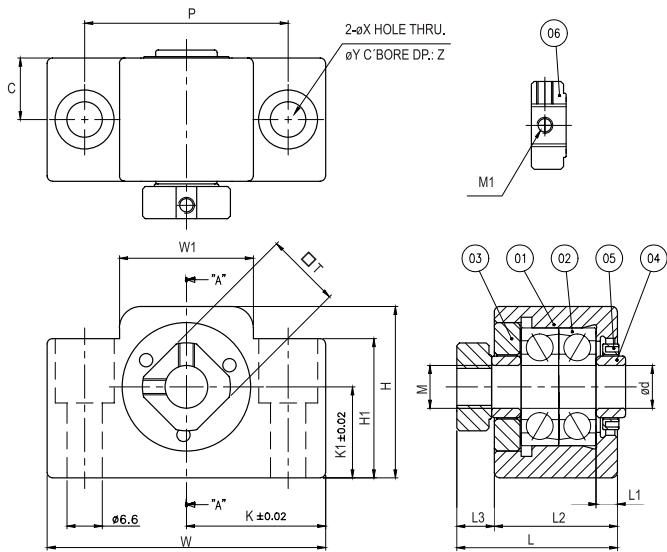
* Match pair for precision angular contact ball bearing.

		Dimensions [mm]													
Part number	ID number	ød	W	W1	H	H1	K	K1	L	L1	L2	L3	P	C	C1
BK 10	-	10	60	34	39	32.5	30	22	34.5	5	25	5	46	13	6
BK 12	89032451	12	60	34	43	32.5	30	25	34.5	5	25	5	46	13	6
BK 15	89032437	15	70	40	48	38	35	28	38	6	26	6	54	15	6
BK 17	89032452	17	86	50	64	55	43	39	51	7	35	9	68	19	8
BK 20	89032445	20	88	52	60	50	44	34	51	8	35	8	70	19	8
BK 25	89032453	25	106	64	80	70	53	48	63	9	42	12	85	22	10
BK 30	89032439	30	128	76	89	78	64	51	70	9	45	14	102	23	11
BK 35	-	35	140	88	96	79	70	52	79	12	50	14	114	26	12
BK 40	89032454	40	160	100	110	90	80	60	91	15	61	18	130	33	14

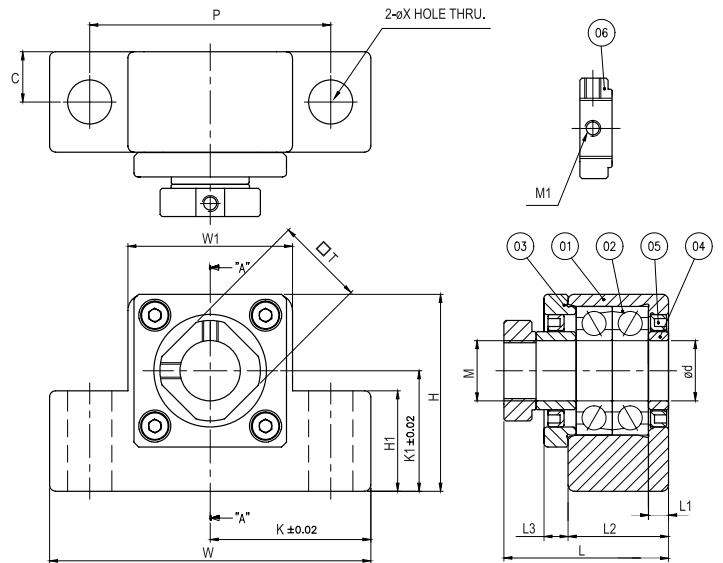
		Dimensions [mm]								Technical data			
Part number	ID number	øX	øY	Z	E	ød1	T	M	M1	Bearing type	Weight (kg)	Rated axial load [kN]	Maximum load [kN]
BK 10	-	6.6	10.8	5	15	5.5	16	M10×1	M3	7000A	0.4	6.70	2.78
BK 12	89032451	6.6	10.8	5.5	18	5.5	19	M12×1	M4	7001A	0.41	7.25	3.10
BK 15	89032437	6.6	11	6.5	18	5.5	22	M15×1	M4	7002A	0.58	7.75	4.07
BK 17	89032452	9	14	8.5	28	6.6	24	M17×1	M4	7203A	1.3	14.00	5.95
BK 20	89032445	9	14	8.5	22	6.6	30	M20×1	M4	7004A	1.2	12.95	9.70
BK 25	89032453	11	17	11	33	9	35	M25×1.5	M6	7205A	2.35	20.60	11.70
BK 30	89032439	14	20	13	33	11	40	M30×1.5	M6	7206B	3.33	28.60	16.60
BK 35	-	14	20	13	35	11	50	M35×1.5	M6		4.4		
BK 40	89032454	18	26	17.5	37	14	50	M40×1.5	M6	7208B	6.8	45.00	27.70

EK Type Bearing Units For Ball Screws – Fixed Bearing

EK 06, 08



EK 10-1, 10, 12, 15, 20



No.	Designation	Quantity
01	housing	1
02	bearing *	2
03	pressure plate **	1 (2)
04	collar	2
05	seal	2
06	lock nut	1

* Match pair for precision angular contact ball bearing.
** Seal quantity (EK 06 - 08 = 1, EK 10-1 - EK20 = 2)

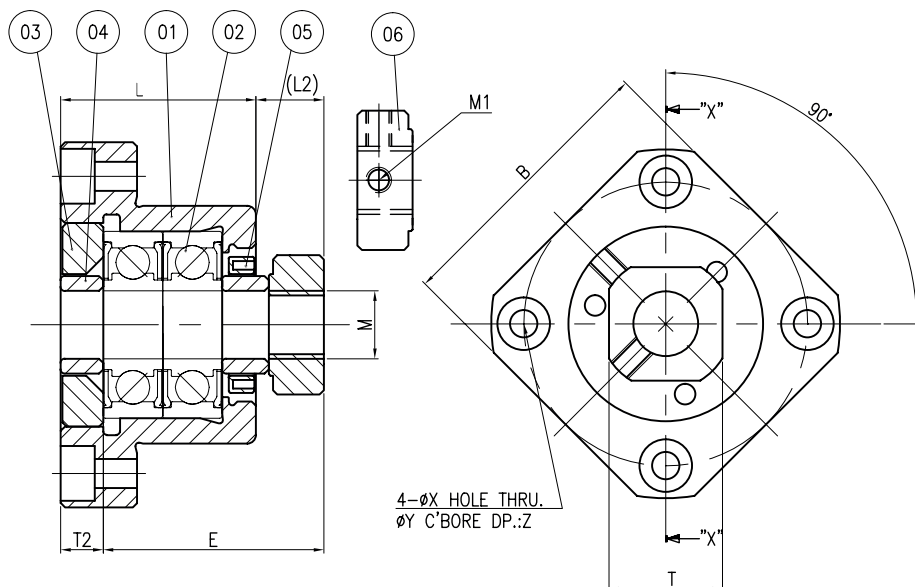
Part number	ID number	Dimensions [mm]												
		ϕd	W	W1	H	H1	K	K1	L	L1	L2	L3	P	C
EK 06	-	6	42	18	25	20	21	13	25.5	3.5	20	5	30	10
EK 08	-	8	52	25	32	26	26	17	30	4	23	5	38	11.5
EK 10-1	-	10	65	36	43	20	32.5	21	35.5	6	24	6	52	12
EK 10	-	10	70	36	43	24	35	25	35.5	6	24	9	52	12
EK 12	-	12	70	36	43	24	35	25	35.5	6	24	8	52	12
EK 15	-	15	80	41	49	25	40	30	41	5	25	12	60	12.5
EK 20	-	20	95	56	58	25	47.5	30	60	10	42	14	75	21

Part number	ID number	Dimensions [mm]						Technical data			
		ϕX	ϕY	Z	T	M	M1	Bearing type	Weight (kg)	Rated axial load [kN]	Maximum load [kN]
EK 06	-	5.5	9.5	11	12	M6 × 0.75	M3		0.15		
EK 08	-	6.6	11	12	14	M8 × 1	M3		0.26		
EK 10-1	-	6.6	-	-	16	M10 × 1	M3		0.45		
EK 10	-	9	-	-	16	M10 × 1	M3		0.45		
EK 12	-	9	-	-	19	M12 × 1	M4		0.44		
EK 15	-	11	-	-	22	M15 × 1	M4		0.56		
EK 20	-	11	-	-	30	M20 × 1	M4		1.34		

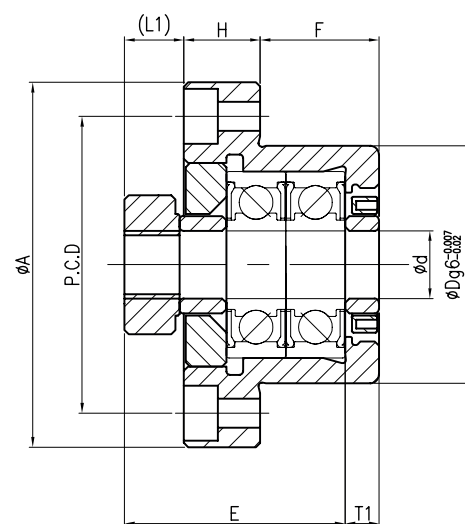
FK Type Bearing Units For Ball Screws – Fixed Bearing

FK 05, 06, 08

Assembly style B



Assembly style A



No.	Designation	Quantity
01	housing	1
02	bearing *	2
03	pressure plate	1
04	collar	2
05	seal	2
06	lock nut	1

* Match pair for precision angular contact ball bearing.

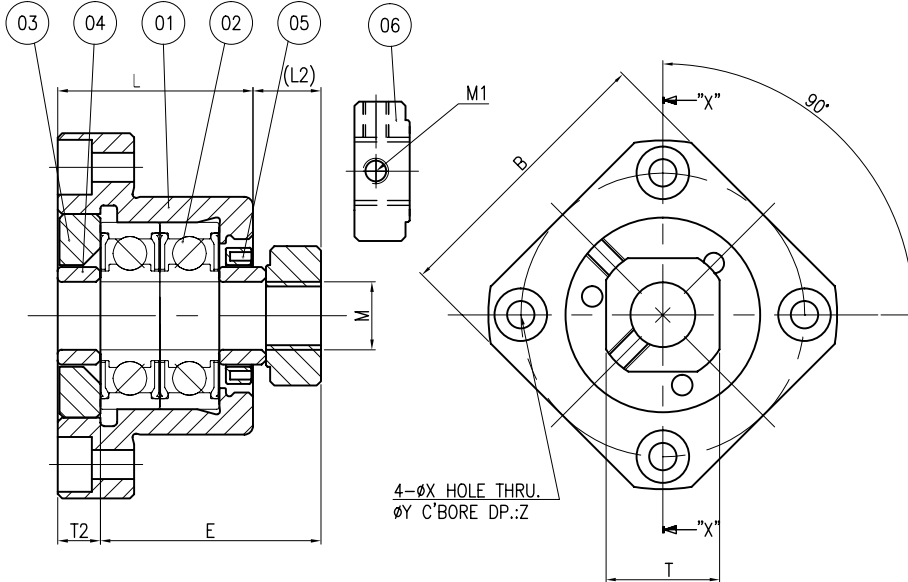
Part number	ID number	Dimensions [mm]								
		ød	L	H	F	E	øD g6	A	PCD	B
FK 05		5	16.5	6	10.5	18.5	20	34	26	26
FK 06	89032470	5	13	7	13	22	22	36	28	8
FK 08	-	8	14	9	14	26	28	43	35	35

Part number	ID number	Dimensions [mm]										Technical data			
		Style A		Style B		øX	øY	Z	M	M1	T	Bearing type	Weight (kg)	Rated axial load [kN]	Maximum load [kN]
		L1	T1	L2	T2										
FK 05		5.5	3.5	5	3	3.4	6.5	4	M5×0.5	M3	11		0.08		
FK 06	89032470	5.5	3.5	6.5	4.5	3.4	6.5	4	M6×0.75	M3	12		0.1		
FK 08	-	7	4	8	5	3.4	6.5	4	M8×1	M3	14		0.15		

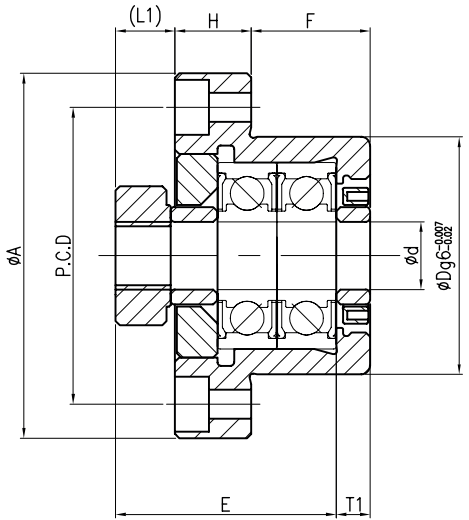
FK Type Bearing Units For Ball Screws – Fixed Bearing

FK 10, 12, 15, 17, 20, 25, 30

Assembly style B



Assembly style A



No.	Designation	Quantity
01	housing	1
02	bearing *	2
03	pressure plate	1
04	collar	2
05	seal	2
06	lock nut	1

* Match pair for precision angular contact ball bearing.

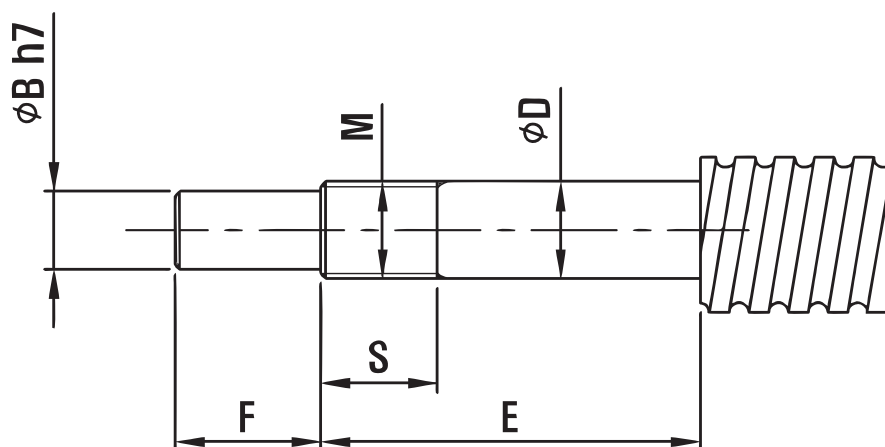
Part number	ID number	Dimensions [mm]								
		ød	L	H	F	E	øD g6	øA	PCD	B
FK 10	-	10	27	10	17	29.5	34	52	42	42
FK 12	89032460	12	27	10	17	29.5	36	54	44	44
FK 15	89032461	15	32	15	17	36	40	63	50	52
FK 17		17	45	22	23	47	50	77	62	61
FK 20	89032462	20	52	22	30	50	57	85	70	68
FK 25	89032463	25	57	27	30	59	63	98	80	79
FK 30	89032464	30	60	30	32	61	75	117	95	93

Part number	ID number	Dimensions [mm]										Technical data			
		Style A		Style B		øX	øY	Z	M	M1	T	Bearing type	Weight (kg)	Rated axial load [kN]	Maximum load [kN]
		L1	T1	L2	T2										
FK 10	-	7.5	5	8.5	6	4.5	8	4	M10×1	M3	16	0.23			
FK 12	89032460	7.5	5	8.5	6	4.5	8	4	M12×1	M4	19	0.25			
FK 15	89032461	10	6	12	8	5.5	9.5	5	M15×1	M4	22	0.39			
FK 17		11	9	14	12	6.6	11	10	M17×1	M4	24	0.81			
FK 20	89032462	8	10	12	14	6.6	11	10	M20×1	M4	30	1.02			
FK 25	89032463	13	10	20	17	9	15	13	M25×1.5	M5	35	1.48			
FK 30	89032464	11	12	17	18	11	17.5	15	M30×1.5	M6	40	2.32			

End Journal Dimensions For BK, EK And FK Supports

The type of bearing selected influences the stiffness of the lead screw system as a whole and also the rotational vibration and buckling behavior of the lead screw shaft. The required end journals are made for the trapezoidal lead screw according to the various types of bearing.

Note: Bearings are not supplied.

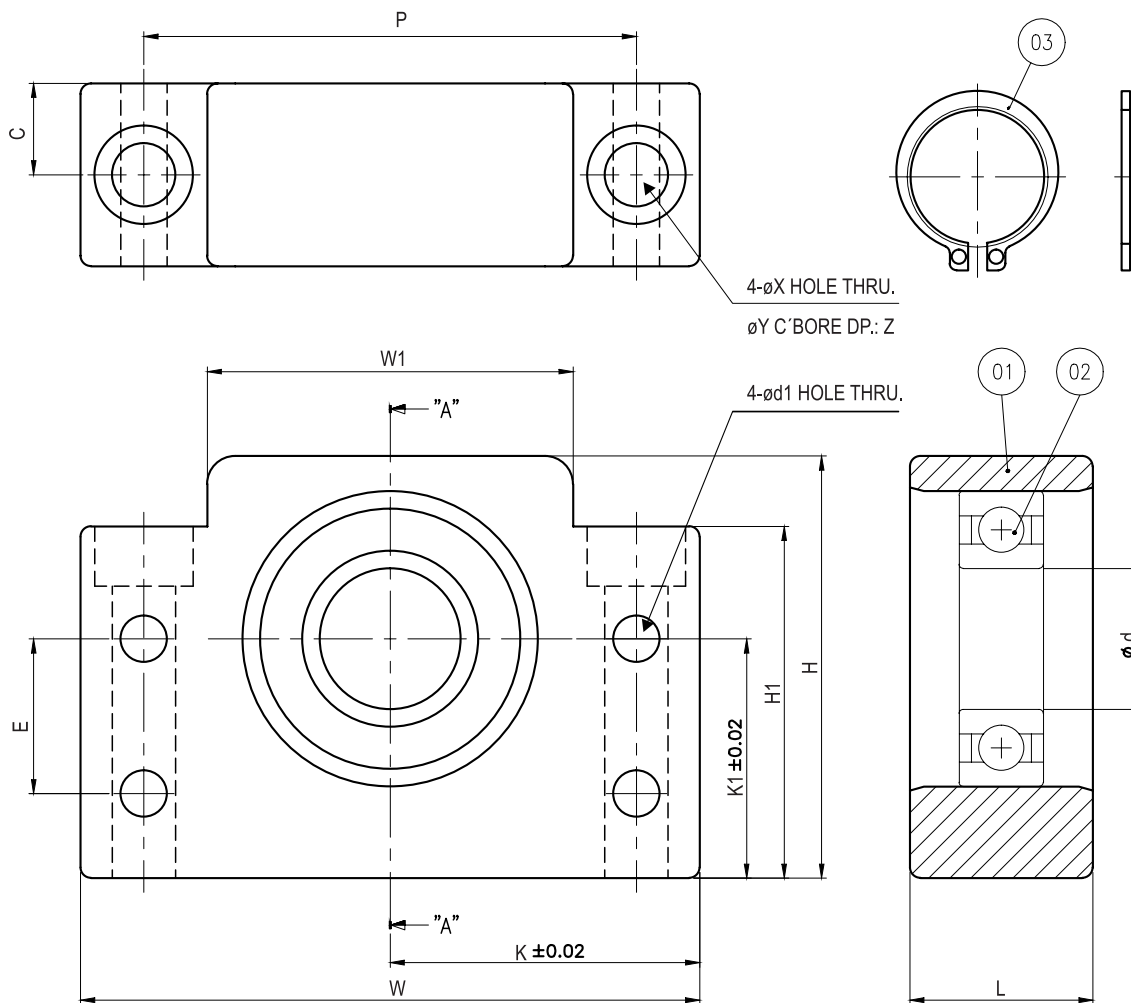


For part number	Use screw shaft diameter	Dimensions [mm]						
		D	B	E	F	M	S	Collar Length
FK 05	8	5	4	23	6	M5×0.5	7	3.5
FK 06, EK 06	8	6	4	28	8	M6×0.75	10	5
FK 08, EK 08	10, 12	8	6	33	9	M8×1	10	5.5
FK 10, EK 10	12, 14, 15	10	8	36	15	M10×1	11	5.5
BK 10	12, 14, 15	10	8	36	15	M10×1	16	5.5
FK 12, EK 12	14, 15, 16	12	10	40	15	M12×1	16	5.5
BK 12	14, 15, 16	12	10	39	15	M12×1	14	5.5
FK 15, EK 15	18, 20	15	12	49	20	M15×1	18	10
BK 15	18, 20	15	12	40	20	M15×1	12	6
FK 17	20, 25	17	15	59	23	M17×1	16	10
BK 17	20, 25	17	15	53	23	M17×1	17	7
FK 20, EK 20	25, 28	20	17	64	25	M20×1	16	11
BK 20	25, 28	20	17	53	25	M20×1	15	8
FK 25	32, 36	25	20	76	30	M25×1.5	20	14
BK 25	32, 36	25	20	64	30	M25×1.5	18	9
FK 30	36, 40	30	15	72	38	M30×1.5	25	9
BK 30	36, 40	30	25	72	38	M30×1.5	25	9
BK 35	45	35	30	83	45	M35×1.5	28	12
BK 40	50	40	35	98	50	M40×1.5	35	15

Recommended Bearings For BK, EK And FK Supports

Part number	Bearing data			
	Bearing	Dynamic load rating Cr [kN]	Static load rating Cro [kN]	Max. rotation speed (rpm)
FK 06, EK 06	706A	2.28	0.93	85000
FK 08, EK 08	708A	3.75	1.66	67000
BK 10, FK 10, EK 10	7000A	4.05	2	56000
BK 12, FK 12, EK 12	7001A	4.55	2.5	50000
BK 15, FK 15, EK 15	7002A	6	3.25	43000
BK 17, FK 17	7203A	10.4	5.6	36000
BK 20	7004A	10	5.7	32000
EK 20, FK 20	7204A	14	7.8	30000
BK 25, FK 25	7205A	15	14	26000
BK 30, FK 30	7206A	22	13.5	22000
BK 35	7205B	27.1	18.4	9300
BK 40	7208B	32	23	8300

BF Type End Support Units For Ball Screws – Floating Bearing

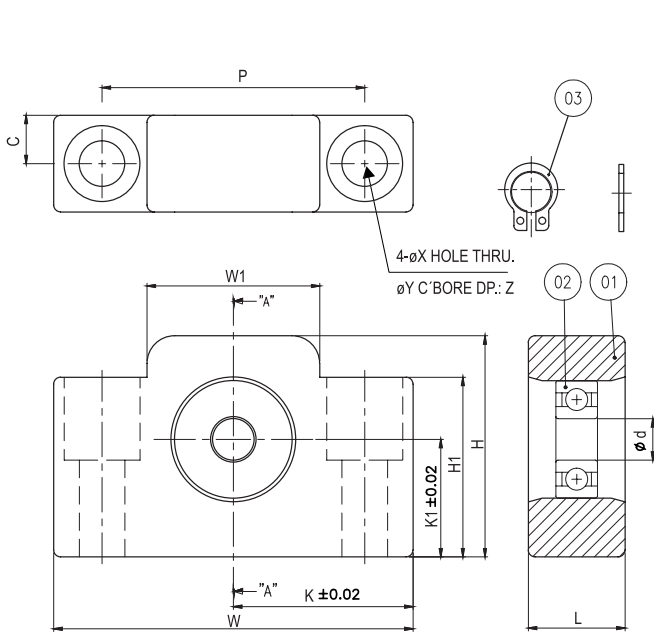


No.	Designation	Quantity
01	housing	1
02	bearing	2
03	pressure plate	1

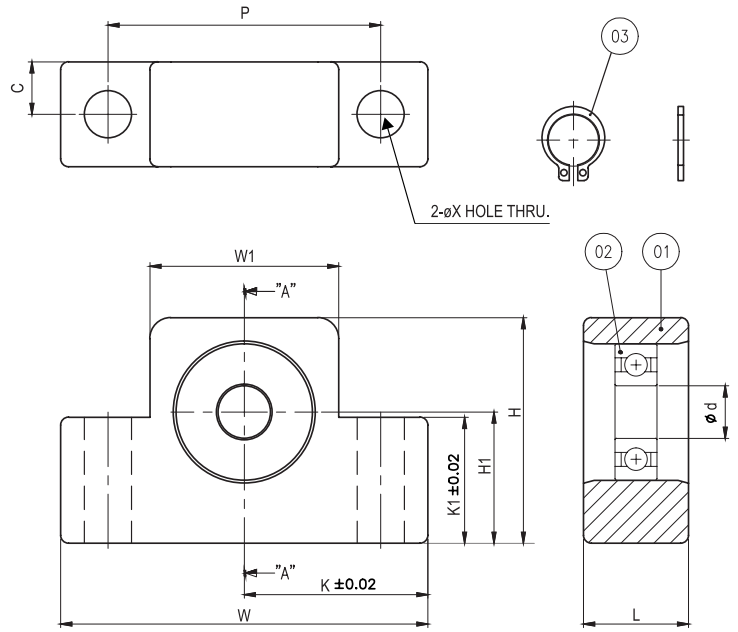
Part number	ID number	Dimensions [mm]															Weight (kg)
		ød	W	W1	K	K1	H	H1	E	ød1	L	P	C	øX	øY	Z	
BF 10	-	8	60	34	30	22	39	32.5	15	5.5	20	46	10	6.6	10.8	5	0.3
BF 12	89032448	10	60	34	30	25	43	32.5	18	5.5	20	46	10	6.6	10.8	1.5	0.3
BF 15	89032438	15	70	40	35	28	48	38	18	5.5	20	54	10	6.6	11	6.5	0.4
BF 17	-	17	86	50	43	39	64	55	28	6.6	23	68	11.5	9	14	8.5	0.75
BF 20	89032441	20	88	52	44	34	60	50	22	6.6	26	70	13	9	14	8.5	0.76
BF 20H	-	20	88	52	44	48	74	64	-	-	26	70	13	9	14	8.5	1.02
BF 25	89032449	25	106	64	53	48	80	70	33	9	30	85	15	11	17	11	1.43
SF 25	-	25	128	76	64	51	89	78	-	-	32	102	16	14	20	13	-
BF 30	89032446	30	128	76	64	51	89	78	33	11	32	102	16	14	20	13	1.94
BF 35	-	35	140	88	70	52	96	79	35	11	32	114	16	14	20	13	2.25
SF 40	-	40	140	88	70	52	96	79	-	-	32	114	16	14	20	13	-
BF 40	-	40	160	100	80	60	110	90	37	14	37	130	18.5	18	26	17.5	3.3

EF Type End Support Units For Ball Screws – Floating Bearing

EF 06, 08



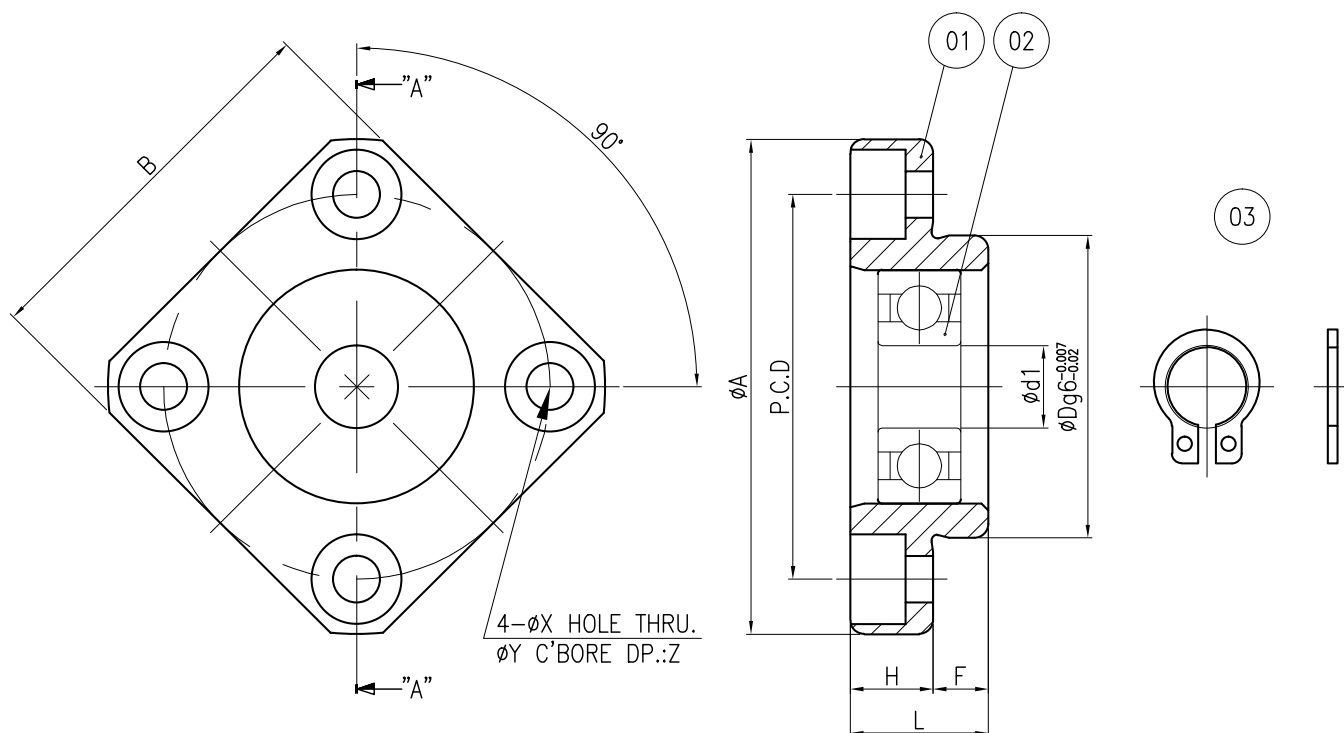
EF 10, 12, 15, 20



No.	Designation	Quantity
01	housing	1
02	bearing	2
03	pressure plate	1

Part number	ID number	Dimensions [mm]													
		ød	W	W1	K	K1	H	H1	L	P	C	øX	øY	Z	Weight (kg)
EF 06		6	42	18	21	13	25	20	12	30	6	5.5	9.5	11	0.1
EF 08		6	52	25	26	17	32	26	14	38	7	6.6	11	12	0.15
EF 10		8	70	36	35	25	43	24	20	52	10	9	-	-	0.33
EF 12		10	70	36	35	25	43	24	20	52	10	9	-	-	0.32
EF 15		15	80	41	40	30	49	25	20	60	10	9	-	-	0.38
EF 20		20	95	56	47.5	30	58	25	26	75	13	11	-	-	0.64

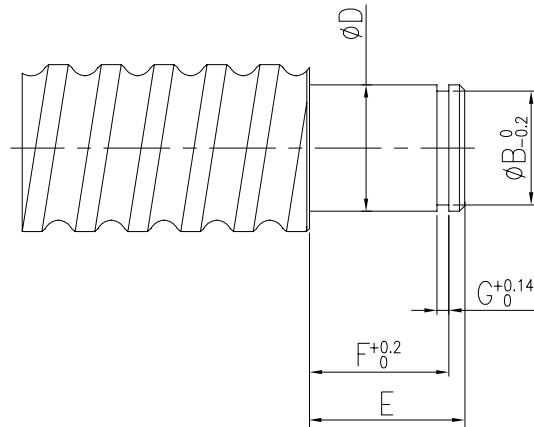
FF Type End Support Units For Ball Screws – Floating Bearing



No.	Designation	Quantity
01	housing	1
02	bearing	2
03	pressure plate	1

Part number	ID number	Dimensions [mm]											Weight (kg)
		ød	øA	B	L	H	F	øD g6	PDC	øX	øY	Z	
FF 06		6	36	28	10	6	4	22	28	3.4	6.5	4	0.06
FF 10		8	43	35	12	7	5	28	35	3.4	6.5	4	0.1
FF 12	89032455	10	52	42	15	7	8	34	42	4.5	8	4	0.13
FF 15	89032456	15	63	52	17	9	8	40	50	5.5	9.5	5.5	0.2
FF 17		17	77	61	20	11	9	50	62	6.6	11	6.5	0.33
FF 20	89032457	20	85	68	20	11	9	57	70	6.6	11	6.5	0.43
FF 25	89032436	25	98	79	24	14	10	63	80	9	14	8.5	0.66
FF 30	89032458	30	117	93	27	18	9	75	95	11	17	11	1.03

End Journal Dimensions For BF, EF And FF Supports

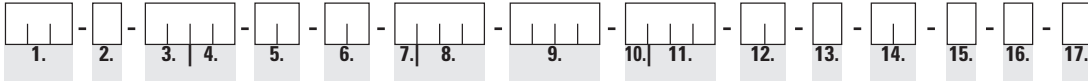


For part number	Use screw shaft diameter	Dimensions [mm]				
		D	E	B	F	G
FF 06, EF 06	8	6	9	5.7	6.8	0.8
EF 08	10	6	9	5.7	6.8	0.8
FF 10, EF, 10, BF 10	12, 14, 15	8	10	7.6	7.9	0.9
FF 12, EF, 12, BF 12	14, 15, 16	10	11	9.6	9.15	1.15
FF 15, EF, 15, BF 15	18, 20	15	13	14.3	10.15	1.15
FF 17, BF 17	20, 25	17	16	16.2	13.15	1.15
BF 20	25, 28, 30	20	16	19	13.35	1.35
FF 20, EF 20	25, 28, 30	20	19	19	15.35	1.35
FF 25, BF 25	30, 32, 36	25	20	23.9	16.35	1.35
FF 30, BF 30	36, 40	30	21	28.6	17.75	1.75
BF 35	40, 45	35	22	33	18.75	1.75
BF 40	50	40	23	38	19.95	1.95

Recommended Bearings For BF, EF And FF Supports

Part number	Bearing
FF 06, EF 06	606 ZZ
FF 08, EF 08	606 ZZ
BF 10, FF 10, EF 10	608 ZZ
BF 12, FF 12, EF 12	6000 ZZ
BF 15, FF 15, EF 15	6002 ZZ
BF 17, FF 17	6203 ZZ
BF 20, EF 20, FK 20	6004 ZZ
EF 25, FF 25	6205 ZZ
BF 30, FF 30	6206 ZZ
BF 35	6207 ZZ
BF 40	6208 ZZ

Order Code – Ball Screws & Assemblies



1. Product

KGT = Ball screw drive complete

2. Nut version

D = Version according to DIN 69051
N = Thomson Neff version
G = Cylindrical with thread
L = Shifted (FL)
S = Special, according to drawing
H = Highload

3. Nominal thread diameter [mm]

4. Thread lead [mm]

5. Lead accuracy

P3, P5, T5, T7

6. Thread direction

RH = Right hand thread
LH = Left hand thread

7. Screw end 1

Standard end form C, D, F, H, J, L,
S, T, W, B, Z, see page 127 et seq.
G = Annealed end
K = According to customer's drawing
X = Cut only

8. Reference to end length 1

for G/K end length [mm]

9. Overall length [mm]

10. Screw end 2

Standard end form C, D, F, H, J, L,
S, T, W, B, Z, see page 127 et seq.
G = Annealed end
K = According to customer's drawing
X = Cut only

11. Reference to end length 2

for G/K end length [mm]

12. Nut form and configuration

Flanged side of the KGF nut and contact
surface of the KGM Nut always showing
towards screw end 1
F = 1 Flanged nut
M = 1 Cylindrical nut
FM = 1 Preloaded double nut unit
(1 KGF, 1 KGM)
FF = 1 Preloaded double nut unit
(2 KGF)
MM = 1 Preloaded double nut unit
(2 KGM)

13. Return system

E = Single liner
M = Multi liner (MUS)
D = End cap
K = Channel

14. Wiper

EE = Elastomer
KK = Plastic
00 = Without wiper
ZZ = One wiper on both sides
with centering for spiral spring cover

15. Manufacturing process

R = Rolled

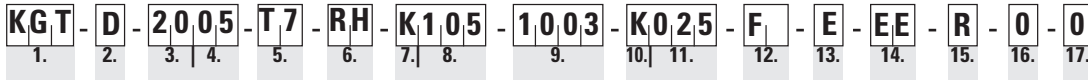
16. Special version or with accessories

0 = No
1 = Yes (please describe)

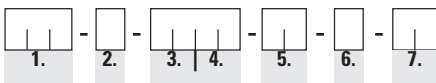
17. Backlash / preload options

0 = Normal
1 = Backlash reduced
2 = Backlash free (1-10%)
3 = Preload (4-point contact = 4 %,
2-point contact = 10 %)

Example: One ball screw drive complete with machined screw ends



Order Code – Ball Nuts



1. Product

KGF = Flanged nut
KGM = Cylindrical nut

2. Nut version

D = Version according to DIN 69051
N = Thomson Neff version
G = Cylindrical with thread
L = Shifted (FL)
S = Special, according to drawing

3. Nominal thread diameter [mm]

4. Thread lead [mm]

5. Thread direction

RH = Right hand thread
LH = Left hand thread

6. Return system

E = Single liner
M = Multi liner (MUS)
D = End cap
K = Channel

7. Wiper

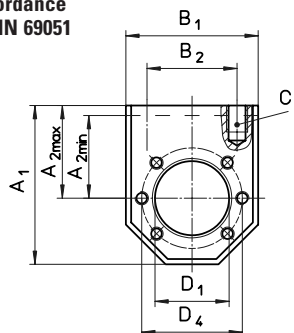
EE = Elastomer
KK = Plastic
00 = Without wiper
ZZ = One wiper on both sides
with centering for spiral spring cover

KON Adapter Support

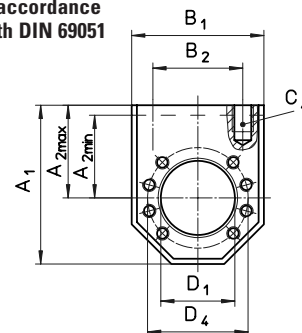
Adapter support for side mounting of KGF ball screw flanged nut.

Material: 1.0065 (St37) or 1.0507 (St52).

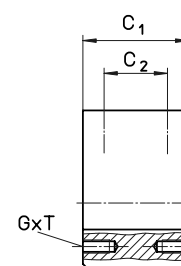
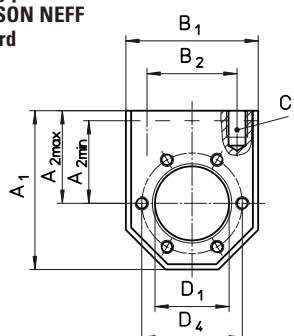
**Drilling pattern 1
in accordance
with DIN 69051**



**Drilling pattern 2
in accordance
with DIN 69051**



**Drilling pattern 4
THOMSON NEFF
standard**



For KGF	ID number	Drilling pattern	Dimensions [mm]										
			A ₁	A _{2 max} ¹⁾	A _{2 min}	B ₁	B ₂	C ₁	C ₂	C ₄ ¹⁾	D ₁	D ₄	Th x D
KON 1605	89022032	3	60	35	25	50	34	40	24	M 8x15	28	38	M 5x10
KON 1605/1610	89022023	1	60	35	25	50	34	40	24	M 8x15	28	38	M 5x10
KON 2005	89022033	3	68	37.5	29	58	39	40	24	M 8x15	32	45	M 6x12
KON 2005	89022024	1	68	37.5	30	58	39	40	24	M 8x15	36	47	M 6x12
KON 2020/2050	89022035	3	75	42.5	32.5	65	49	40	24	M 10x15	35	50	M 6x12
KON 2505	89022034	3	75	42.5	32.5	65	49	40	24	M 10x15	38	50	M 6x12
KON 2505/2510/2520/ 2525/2550	89022025	1	75	42.5	32.5	65	49	40	24	M 10x12	40	51	M 6x12
KON 3205	89022036	3	82	45	37	75	54	50	30	M 10x12	45	58	M 6x12
KON 3205/3232		1	92	50	40	85	60	50	30	M 12x15	50	65	M 8x12
KON 3210/3240/4005	89022037	3	92	50	42	85	60	50	30	M 12x15	53	68	M 6x12
KON 3210/3220	89022038	1	92	50	40	85	60	50	30	M 12x15	53	65	M 8x12
KON 4010	89022038	3	120	70	50	100	76	65	41	M 14x25	63	78	M 8x14
KON 4005/4010/4020/4040	89022029	2	120	70	50	100	76	65	41	M 14x25	63	78	M 8x14
KON 5010	89022039	3	135	77.5	57.5	115	91	88	64	M 16x25	72	90	M 10x16
KON 5010	89022030	2	135	77.5	57.5	115	91	88	64	M 16x25	75	93	M 10x16
KON 5020	89022072	2	152	87.5	65	130	101	88	64	M 16x30	85	103	M 10x16
KON 6310	89022040	3	152	87.5	65	130	101	88	64	M 16x30	85	105	M 10x16
KON 6320	89022073	2	172	97.5	75	150	121	88	64	M 16x30	95	115	M 12x18
KON 8010	89022041	3	172	97.5	75	150	121	88	64	M 16x30	105	125	M 12x18

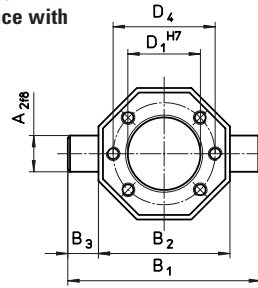
¹⁾ Standard = A_{2 max} (as delivered)

KAR Universal Joint Adapter

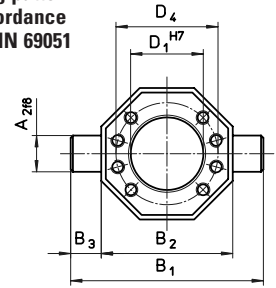
Adapter for trunion mounting a
KGF ball screw flanged nut.

Material: 1.0065 (St37) or 1.0507 (St52).

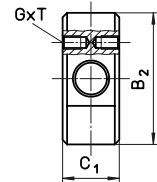
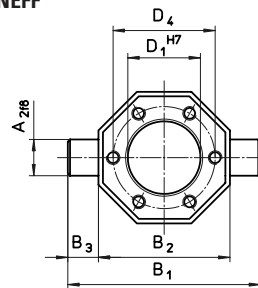
**Drilling pattern 1
in accordance with
DIN 69051**



**Drilling pattern 2
in accordance
with DIN 69051**



**Drilling pattern 4
THOMSON NEFF
standard**



For KGF	ID number	Drilling pattern	Dimensions [mm]							
			A ₂	B ₁	B ₂	B ₃	C ₁	D ₁	D ₄	Th x D
KAR 1605	89022013	3	12	70	50	10	20	28	38	M 5x10
KAR 1605/1610	89022001	1	12	70	50	10	20	28	38	M 5x10
KAR 2005	89022014	3	16	85	58	13.5	25	32	45	M 6x12
KAR 2005	89022002	1	16	85	58	13.5	25	36	47	M 6x12
KAR 2020/2050	89022015	3	18	95	65	15	25	35	50	M 6x12
KAR 2505	89022016	3	18	95	65	15	25	38	50	M 6x12
KAR 2505/2510/2520/2525/2550	89022003	1	18	95	65	15	25	40	51	M 6x12
KAR 3205	89022017	3	20	110	75	17.5	30	45	58	M 6x12
KAR 3205/3232	89022004	1	25	125	85	20	30	50	65	M 8x12
KAR 3210/3240/4005	89022018	3	25	125	85	20	30	53	68	M 6x12
KAR 3210/3220	89022008	1	25	125	85	20	30	53	65	M 8x12
KAR 4010	89022019	3	30	140	100	20	40	63	78	M 8x14
KAR 4005/4010/4020/4040	89022010	2	30	140	100	20	40	63	78	M 8x14
KAR 5010	89022020	3	40	165	115	25	50	72	90	M 10x16
KAR 5010	89022011	2	40	165	115	25	50	75	93	M 10x16
KAR 5020	89022069	2	40	180	130	25	50	85	103	M 10x16
KAR 6310	89022021	3	40	180	130	25	50	85	105	M 10x16
KAR 6320	89022070	2	50	200	150	25	60	95	115	M 12x18
KAR 8010	89022022	3	50	200	150	25	60	105	125	M 10x16

SF Helical Spring Cover

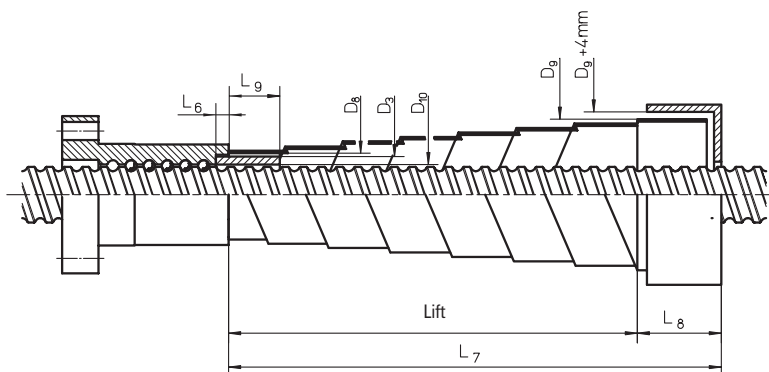
Helical spring cover for protection against ambient influences.
Suitable for horizontal and vertical installation.

Material: Hardened spring steel.

A centering sleeve is required on the mounting face of the nut where a helical spring cover is used.

Only available for KGF-D, KGF-N, KGM-D and KGM-N style nuts.

Table headings are nominal diameter x lead (e.g. 16x05).



**For 16x05
16x10**

$D_3 = 22 \text{ mm}$ $D_{10} = 17 \text{ mm}$ $L_6 = 6 \text{ mm}$ $L_9 = 21 \text{ mm}$		
Designation $D_8/L_{7v}^{1)}/L_8$	$L_{7h}^{2)}$	D_9
SF 25/100/20	60	35
SF 25/150/20	110	38
SF 25/200/20	160	40
SF 25/250/20	210	44
SF 25/300/30	240	43
SF 25/350/30	290	46
SF 25/400/30	340	49
SF 25/450/40	370	48
SF 25/500/40	420	51

**For 25x05 25x25
25x10 25x50
25x10**

$D_3 = 28 \text{ mm}$ $D_{10} = 26 \text{ mm}$ $L_6 = 6 \text{ mm}$ $L_9 = 21 \text{ mm}$		
Designation $D_8/L_{7v}^{1)}/L_8$	$L_{7h}^{2)}$	D_9
SF 30/150/30	90	39
SF 30/250/30	190	44
SF 30/350/30	290	49
SF 30/450/40	370	53
SF 30/550/40	470	58
SF 30/650/50	550	55
SF 30/750/50	650	59

**For 32x05
32x40
(continued)**

$D_3 = 38 \text{ mm}$ $D_{10} = 33 \text{ mm}$ $L_6 = 6 \text{ mm}$ $L_9 = 26 \text{ mm}$		
Designation $D_8/L_{7v}^{1)}/L_8$	$L_{7h}^{2)}$	D_9
SF 40/550/50	450	61
SF 40/650/50	550	65
SF 40/750/50	650	69
SF 40/450/60	330	55
SF 40/550/60	430	58
SF 40/650/60	530	62
SF 40/750/60	630	66
SF 40/900/60	780	70
SF 40/650/75	500	62
SF 40/750/75	600	66
SF 40/900/75	750	72
SF 40/1100/78	950	78
SF 40/1300/75	1150	84
SF 40/1500/75	–	90
SF 40/1000/100	800	66
SF 40/1200/100	1000	70
SF 40/1500/100	1300	78
SF 40/1800/100	1600	82
SF 40/1800/120	1560	82
SF 40/2000/120	1760	86
SF 40/2200/120	–	91

**For 32x10
(32x20)**

$D_3 = 44 \text{ (48) mm}$ $D_{10} = 35 \text{ (39) mm}$ $L_6 = 8 \text{ mm}$ $L_9 = 27 \text{ mm}$		
Designation $D_8/L_{7v}^{1)}/L_8$	$L_{7h}^{2)}$	D_9
SF 50/150/30	90	63
SF 50/250/30	190	68
SF 50/250/50	150	62
SF 50/350/50	250	66
SF 50/450/50	350	70
SF 50/550/50	450	73
SF 50/550/60	430	68
SF 50/650/60	530	73
SF 50/750/60	630	76
SF 50/750/75	600	78
SF 50/900/75	750	84
SF 50/1100/75	950	90
SF 50/1100/100	900	77
SF 50/1300/100	1100	80
SF 50/1500/100	1300	87
SF 50/1800/100	–	94
SF 50/1700/120	1460	91
SF 50/1900/120	1660	97
SF 50/2100/120	1860	102
SF 50/2300/120	–	105
SF 50/2500/120	–	111
SF 50/2800/120	–	118
SF 50/2800/150	2500	119
SF 50/3000/150	–	124
SF 50/3000/180	2640	123
SF 50/3250/180	–	130
SF 50/3250/200	2650	128
SF 50/3500/200	–	134

**For 20x05
20x20
20x50**

$D_3 = 26 \text{ mm}$ $D_{10} = 21 \text{ mm}$ $L_6 = 6 \text{ mm}$ $L_9 = 21 \text{ mm}$		
Designation $D_8/L_{7v}^{1)}/L_8$	$L_{7h}^{2)}$	D_9
SF 30/150/30	90	39
SF 30/250/30	190	44
SF 30/350/30	290	49
SF 30/450/40	370	53
SF 30/550/40	470	58
SF 30/650/50	550	55
SF 30/750/50	650	59

**For 32x05
32x40**

$D_3 = 38 \text{ mm}$ $D_{10} = 33 \text{ mm}$ $L_6 = 6 \text{ mm}$ $L_9 = 26 \text{ mm}$		
Designation $D_8/L_{7v}^{1)}/L_8$	$L_{7h}^{2)}$	D_9
SF 40/150/30	90	51
SF 40/250/30	190	56
SF 40/350/30	290	60
SF 40/450/40	370	64
SF 40/550/40	470	68
SF 40/350/50	250	55
SF 40/450/50	350	59

¹⁾ $L_{7v} = L_7$ vertical installation
²⁾ $L_{7h} = L_7$ horizontal installation

SF Helical Spring Cover

For 40x05 40x40

$D_3 = 48 \text{ mm}$ $D_{10} = 42 \text{ mm}$ $L_6 = 6 \text{ mm}$ $L_9 = 26 \text{ mm}$		
Designation $D_8/L_{7v}^{1)}/L_8$	$L_{7h}^{2)}$	D_9
SF 50/150/30	90	63
SF 50/250/30	190	68
SF 50/250/50	150	62
SF 50/350/50	250	66
SF 50/450/50	350	70
SF 50/550/50	450	73
SF 50/550/60	430	68
SF 50/650/60	530	73
SF 50/750/60	630	76
SF 50/750/75	600	78
SF 50/900/75	750	84
SF 50/1100/75	950	90
SF 50/1100/100	900	77
SF 50/1300/100	1100	80
SF 50/1500/100	1300	87
SF 50/1800/100	–	94
SF 50/1700/120	1460	91
SF 50/1900/120	1660	97
SF 50/2100/120	1860	102
SF 50/2300/120	–	105
SF 50/2500/120	–	111
SF 50/2800/120	–	118
SF 50/2800/150	2500	119
SF 50/3000/150	–	124
SF 50/3000/180	2640	123
SF 50/3250/180	–	130
SF 50/3250/200	2650	128
SF 50/3500/200	–	134

For 40x10 40x20

$D_3 = 53 \text{ mm}$ $D_{10} = 46 \text{ mm}$ $L_6 = 10 \text{ mm}$ $L_9 = 35 \text{ mm}$		
Designation $D_8/L_{7v}^{1)}/L_8$	$L_{7h}^{2)}$	D_9
SF 55/150/30	90	68
SF 55/250/30	190	73
SF 55/250/50	150	66
SF 55/350/50	250	71
SF 55/450/50	350	74
SF 55/550/50	450	77
SF 55/550/60	430	75
SF 55/650/60	530	79
SF 55/750/60	630	83
SF 55/750/75	600	83
SF 55/900/75	750	89
SF 55/1100/75	950	94
SF 55/1100/100	900	88
SF 55/1300/100	1100	89
SF 55/1500/100	1300	94
SF 55/1800/100	–	102
SF 55/1700/120	1460	96
SF 55/1900/120	1660	103
SF 55/2100/120	1860	106
SF 55/2300/120	2060	110
SF 55/2500/120	–	117
SF 55/2800/120	–	119
SF 55/2800/150	2500	122
SF 55/3000/150	–	126
SF 55/3000/180	2640	127
SF 55/3250/180	–	130

For 50x10 (50x20)

$D_3 = 62 \text{ mm}$ $D_{10} = 56 \text{ mm}$ $L_6 = 11 \text{ mm}$ $L_9 = 39 \text{ mm}$		
Designation $D_8/L_{7v}^{1)}/L_8$	$L_{7h}^{2)}$	D_9
SF 65/250/30	190	85
SF 65/250/50	150	76
SF 65/350/50	250	83
SF 65/450/50	350	88
SF 65/550/60	430	88
SF 65/650/60	530	92
SF 65/750/60	630	96
SF 65/750/75	600	93
SF 65/900/75	750	99
SF 65/1100/75	950	107
SF 65/1100/100	900	95
SF 65/1300/100	1100	100
SF 65/1500/100	1300	109
SF 65/1800/100	–	120
SF 65/1700/120	1460	106
SF 65/1900/120	1660	109
SF 65/2100/120	1860	113
SF 65/2300/120	2060	118
SF 65/2500/120	–	128
SF 65/2800/120	–	132
SF 65/2800/150	2500	133
SF 65/3000/150	–	139
SF 65/3000/180	2640	136
SF 65/3250/180	–	146
SF 65/3250/200	2850	140

For 63x10 63x20

$D_3 = 74 \text{ mm}$ $D_{10} = 66 \text{ mm}$ $L_6 = 11 \text{ mm}$ $L_9 = 49 \text{ mm}$		
Designation $D_8/L_{7v}^{1)}/L_8$	$L_{7h}^{2)}$	D_9
SF 75/250/50	150	89
SF 75/350/50	250	94
SF 75/450/50	350	101
SF 75/550/60	430	100
SF 75/650/60	530	103
SF 75/750/60	630	109
SF 75/650/75	500	99
SF 75/750/75	600	104
SF 75/900/75	750	111
SF 75/1100/100	900	108
SF 75/1300/100	1100	114
SF 75/1500/100	1300	120
SF 75/1700/100	1500	126
SF 75/1500/120	1260	115
SF 75/1800/120	1560	125
SF 75/2000/120	1760	128
SF 75/2200/120	–	132
SF 75/2000/150	1700	135
SF 75/2400/150	2100	141
SF 75/2800/150	–	145
SF 75/2800/180	2440	142
SF 75/3000/180	–	148
SF 75/3250/180	–	156
SF 75/3250/200	2850	148
SF 75/3500/200	–	158

¹⁾ L_{7v} = L_7 vertical installation
²⁾ L_{7h} = L_7 horizontal installation

KOKON® Ball Screw – Fully Protected For Harsh Conditions

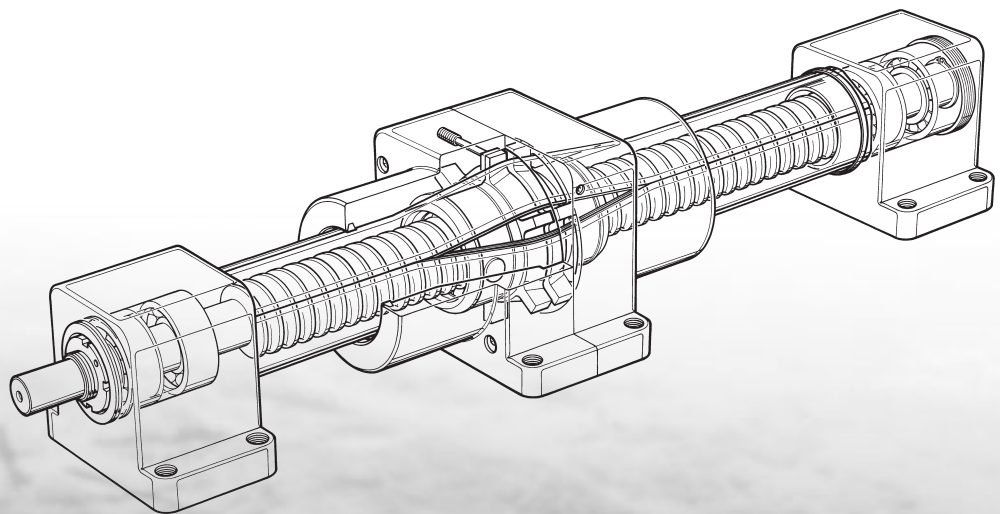
The KOKON recirculating ball screw is ideal for harsh, very dirty applications and applications with long travels.

Complete with shaft, cover and bearings as a ready-to-fit motion system. The central housing with preloaded nut unit and cover band return may be mounted in various orientations.

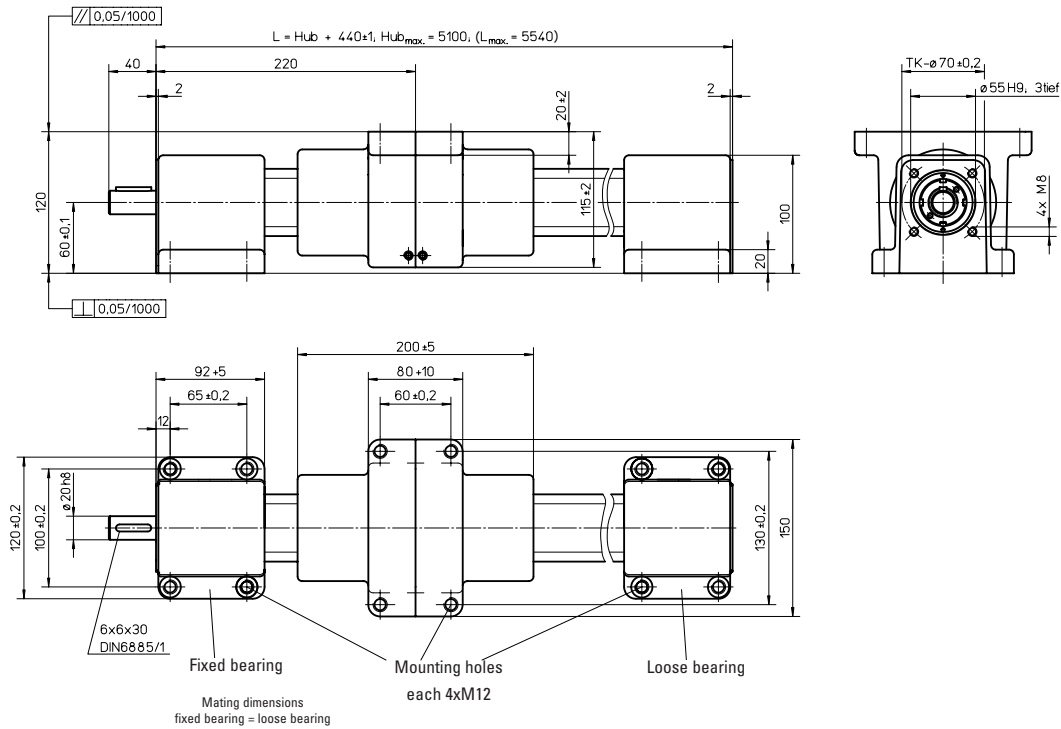
KGT cover in impact resistant elastomeric polymer PA 12.

Easy to maintain due to easy accessibility for relubrication.

All dimensions for the cover are dependent on the length of the elements.

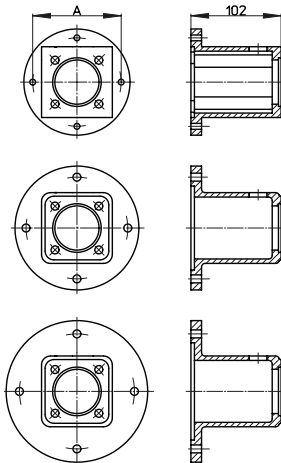


KOKON® Ball Screw – Technical Data



Motor housing accessories

	A
C120	100
C140	115
C160	130



Technical data

- Travel speed:
- Repetition accuracy:
- Acceleration:
- Speed [rpm]:
- Diameter:
- Motion system element:
- Lead:
- Drag torque M_D :
- Axial load capacity C_0 :
- Axial load capacity C^1 :
- Axial load capacity C^2 :
- Efficiency η :
- Weights
 - Base without lift:
 - 100 mm lift:
 - Nut unit with housing:

KOKON 4005

- max. 250 mm/s
- ± 0.05 mm
- max. 20 m/s²
- max. 3000
- 40 mm
- Preloaded recirculating ball screw
- 5 mm
- 0.6 \pm 0.2 Nm
- 46000 N
- 23000 N
- 23000 N
- 0.75
- 4.40 kg
- 0.95 kg
- 3.60 kg

KOKON 4010

- max. 500 mm/s
- ± 0.05 mm
- max. 20 m/s²
- max. 3000
- 40 mm
- Preloaded recirculating ball screw
- 10 mm
- 1.6 \pm 0.4 Nm
- 46000 N
- 42000 N
- 38000 N
- 0.75
- 4.40 kg
- 0.95 kg
- 3.60 kg

Material characteristics

Cover band

- Cover band
- Modulus of elasticity
- Tear resistance
- Shore hardness
- Water absorption
- Oil and coolant resistant

- PA12
- 300 N/mm²
- 40 N/mm²
- 54
- max. 1.4 %
- yes

- PA12
- 300 N/mm²
- 40 N/mm²
- 54
- max. 1.4 %
- yes

¹⁾ DIN 69051 Draft April 1978
²⁾ DIN 69051 Draft May 1989

See p. 54 et seq. for calculation principles

Order Code – KOKON® Ball Screw

Order Code Structure:

KOKON	-	40	-		-		-		-		-		-		-		-		-		
1.		2.		3.		5.		6.		7.		7.		8.		9.		10.			

KOKON

1. Product
KOKON

2. Nominal thread diameter [mm]
40

3. Thread lead [5/10 mm]

5. Lead accuracy [$\mu\text{m}/300\text{mm}$]

5. Stroke [mm]

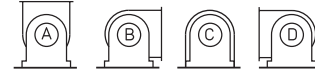
6. Overall length [mm]

7. Preloading
0 = No backlash
1 = Preloaded

8. Drive shaft
0 = Without feather key groove
1 = With feather key groove

9. Installation position

K = According to customer's requirement
A-D = Thomson Neff standard versions



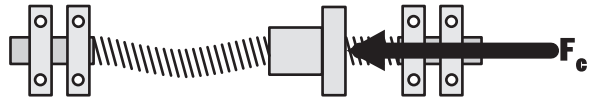
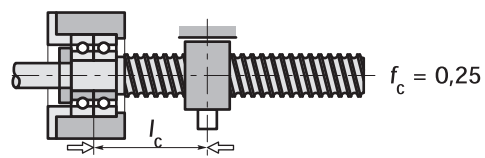
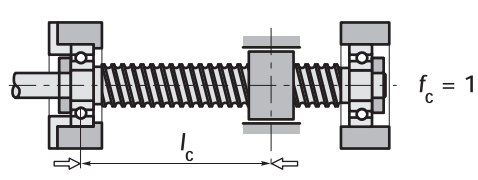
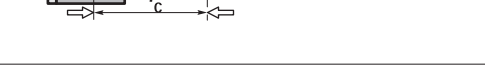
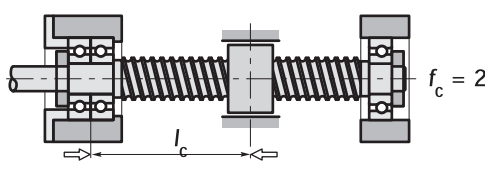
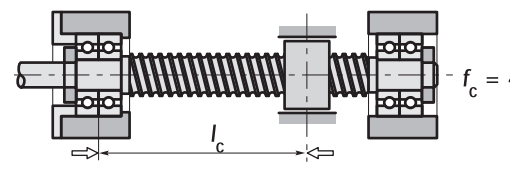
Installation position (view from fixed bearing)

10. Special version or with accessories

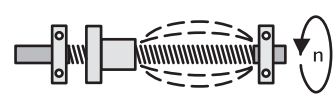
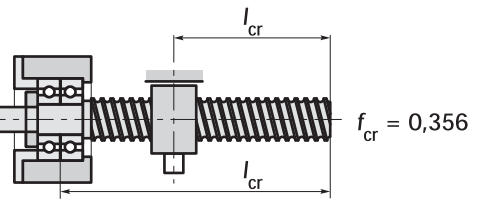
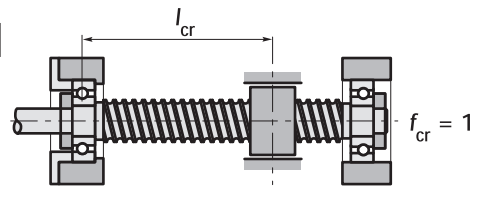
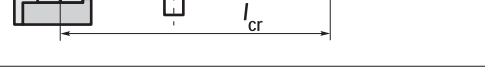
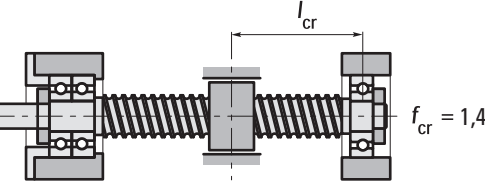
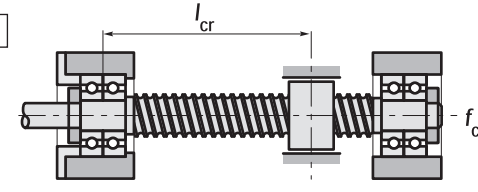
0 = No
1 = Yes

Calculation

Buckling load

Buckling load	F_c [N]		
1A		2	
1B		3	
		4	
$F_{cp} = 0.8 \cdot F_c \cdot f_c \geq F_{max}$ [N]		$F_c = \frac{1.017 \cdot 10^8 \cdot d^4}{l_c^2}$ [N]	$D_w = \text{ball diameter}$
Index p → permissible		$d \approx \frac{d_0 + d_3}{2}$ [mm]	$d_3 \approx d_0 - D_w$
		l_c [mm]	

Speeds

Limit speed	n_l [min ⁻¹]	Return system	Single	Overall
		n^l [min ⁻¹]	$\frac{140.000}{d_0$ [mm]	$\frac{100.000}{d_0$ [mm]
Critical speed	n_{cr} [min ⁻¹]	$n_{crp} = 0.8 \cdot n_{cr} \cdot f_{cr} > n_{max}$ [min ⁻¹] $n_{cr} = 1.2 \cdot 10^8 \cdot \frac{d}{l_{cr}^2}$ [min ⁻¹] $d \approx \frac{d_0 + d_3}{2}$ [mm] $d_3 \approx d_0 - D_w$ [mm]	$D_w = \text{ball diameter}$	
		index p → permissible		
1A		2		
1B		3		
		4		

Calculation

Service life

$$n_m = \sum_{i=1}^n n_i \cdot \frac{q_i}{100} \text{ [min}^{-1}\text{]}$$

$$F_m = \left(\sum_{i=1}^n F_i^3 \cdot \frac{n_i}{n_m} \cdot \frac{q_i}{100} \right)^{1/3} \text{ [N]}$$

$$F_m = \left(\sum_{i=1}^n F_{mi}^3 \cdot \frac{n_i}{n_m} \cdot \frac{q_i}{100} \right)^{1/3} \text{ [N]}$$

Modified service life in revolutions

$$L_{10} = \left[\frac{C_{am}}{F_m} \right]^3 \cdot 10^6$$

Modified service life in hours

$$L_{n10} = \frac{L_{10}}{n_m \cdot 60}$$

Rated load/service life calculation based on DIN 69 051/4

n_m = Equivalent speed

F_m = Equivalent load

C_{am} = Modified dyn. rated load [N]

Installation

Application of force

Optimum		Please contact us regarding radial forces	

Installation tolerances



<table border="1" style="margin: auto;"> <tr><td>//</td><td>0,01</td><td>A</td><td>TK 1 - 3</td></tr> <tr><td>//</td><td>0,02</td><td>A</td><td>TK 5 + 7</td></tr> <tr><td>//</td><td>0,05</td><td>A</td><td>TK 9</td></tr> </table>	//	0,01	A	TK 1 - 3	//	0,02	A	TK 5 + 7	//	0,05	A	TK 9	<table border="1" style="margin: auto;"> <tr><td>⊥</td><td>0,01/100</td><td>TK 1 - 3</td></tr> <tr><td>⊥</td><td>0,02/100</td><td>TK 5 - 9</td></tr> </table>	⊥	0,01/100	TK 1 - 3	⊥	0,02/100	TK 5 - 9
//	0,01	A	TK 1 - 3																
//	0,02	A	TK 5 + 7																
//	0,05	A	TK 9																
⊥	0,01/100	TK 1 - 3																	
⊥	0,02/100	TK 5 - 9																	

Calculation

Efficiency and torques

Efficiency is affected by many operating influences as well as geometric data.

This means that practical values may fluctuate in relation to the calculated values by $\pm 5\%$.

 <p>Theoretical efficiency (η) when converting torque into axial force is calculated as follows:</p> $\eta = \frac{\tan \varphi}{\tan (\varphi + \rho'')} \quad \text{where } \tan \varphi = \frac{P_{h0}}{d_0 \cdot \pi}$	 <p>The theoretical efficiency (η') when converting an axial force into a torque is calculated as follows:</p> $\eta' = \frac{\tan (\varphi - \rho'')} {\tan \varphi} \quad \text{where } \tan \varphi = \frac{P_{h0}}{d_0 \cdot \pi}$
-----------------------------------------------------------------------------------------------------------------------------------------------------------------------------------------------------------------------------------------------------------------------------------------------------------------------------	-----------------------------------------------------------------------------------------------------------------------------------------------------------------------------------------------------------------------------------------------------------------------------------------------------------------------------------------

The theoretical level of efficiency is reduced by around 5% to make allowances for operating influences such as speed, temperature and lubrication. If the ratio of load F to dynamic rated load C_{am} is less than 0.5, a further reduction is made based on the load factor f_l (see table below).

The resulting efficiency only applies to the ball screw. The figure assumes the ball screw is lubricated but has no wiper or shaft bearing.

If you are interested in special measures for improving efficiency, please contact us.

Friction angle ρ'' (rad)

$\rho'' = 0.23^\circ$ At tolerance class P and T1 – T3

$\rho'' = 0.34^\circ$ At tolerance class T5

$\frac{P_{h0}}{d_0}$
+ See tables of dimensions

$\frac{F}{C_{am}}$	f_l
0.4	0.99
0.3	0.98
0.2	0.97
0.1	0.96

Example

$$\frac{F}{C_{am}} = \frac{10.000}{53.900} = 0,19 \rightarrow f_l \approx 0,97$$

$$\tan \varphi = \frac{10}{40 \cdot \pi} = 0,08$$

$$\varphi = 4.55^\circ$$

Practical efficiency after running in

$$F = 10,000 \text{ N}$$

$$C_{am} = 53,900 \text{ N}$$

$$\eta = \frac{0,08}{\tan(4,55^\circ + 0,23^\circ)}$$

$$\eta = 0,957$$

$$\eta_p = \eta \cdot 0,95 \cdot f_l$$

$$\eta_p = 0,957 \cdot 0,95 \cdot 0,97$$

$$\eta_p = 0,88 \pm 5\%$$

F = Axial load

C_{am} = Dynamic rated load

f_l = Load factor

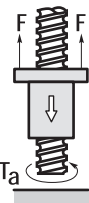
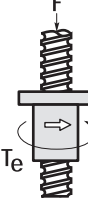
φ (phi) = Lead angle

η (éta) = Theoretical efficiency

η_p , η'_p = Practical efficiency

T_a = Input torque [Nm]

T_e = Output torque [Nm]

 <p>Converting torque into an axial force requires an input torque of:</p> $T_a = \frac{F \cdot P_{h0}}{2000 \cdot \pi \cdot \eta_p} \text{ [Nm]}$	 <p>Converting an axial force into a torque produces an output torque of:</p> $T_e = \frac{F \cdot P_{h0} \cdot \eta'_p}{2000 \cdot \pi} \text{ [Nm]}$
---------------------------------------------------------------------------------------------------------------------------------------------------------------------------------------------------------------------------------------	-------------------------------------------------------------------------------------------------------------------------------------------------------------------------------------------------------------------------------------------

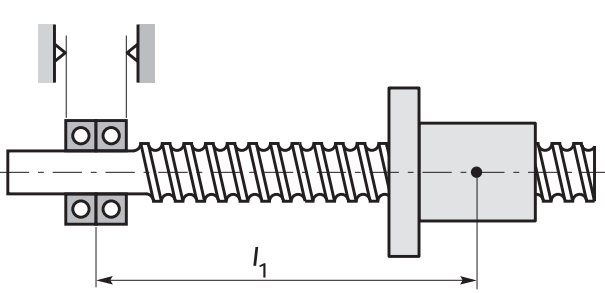
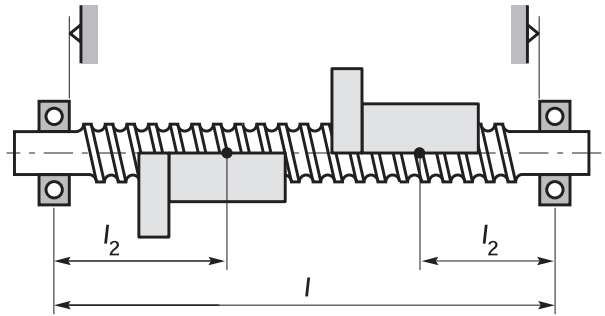
Calculation

Stiffness R

The total stiffness R_{tot} of a ball screw is composed of the stiffness of the shaft R_s and the stiffness of the nut unit $R_{nu,ar}$.

$$\frac{1}{R_{tot}} = \frac{1}{R_s} + \frac{1}{R_{nu,ar}} \quad [N/\mu m]$$

Shaft stiffness depends on the type of bearing.

<p>Fixed bearing at one end</p>  $R_{s1} = \frac{A \cdot E}{l_1 \cdot 10^3} \quad [N/\mu m]$ <p>$E = 21 \cdot 10^4 \text{ N/mm}^2$</p> <p>$l, l_1, l_2 \text{ [mm]}$</p>	<p>Fixed bearing at both ends</p>  $R_{s2} = \frac{A \cdot E}{l_2 \cdot 10^3} \cdot \frac{l}{l - l_2} \quad [N/\mu m] \rightarrow l_2 \leq l/2$ <p>$R_{s2 \min}$ at $l_2 = l/2$</p>
----------------------------------------------------------------------------------------------------------------------------------------------------------------------------------------------------------------------------------------------------------------------------------	----------------------------------------------------------------------------------------------------------------------------------------------------------------------------------------------------------------------------------------------------------------------------------------------

Reference values for shaft cross-sections

d0	16	20	25	32		40		50	63	80	
P _{h0}	5	5	5-25	5	10	5	10-40	10, 20	10, 20	10	20
A [mm ²]	162	263	428	723	685	1155	1075	1705	2823	4650	4412

Acceptance Conditions

Permissible travel variances					
Type	P	Positioning ball screws	Type	T	Transport ball screws
l_e = Axial thread length l_u = Useful travel l_e = Overrun = Tab. 2			l_0 = Nominal distance Δl_0 = Travel deviation		

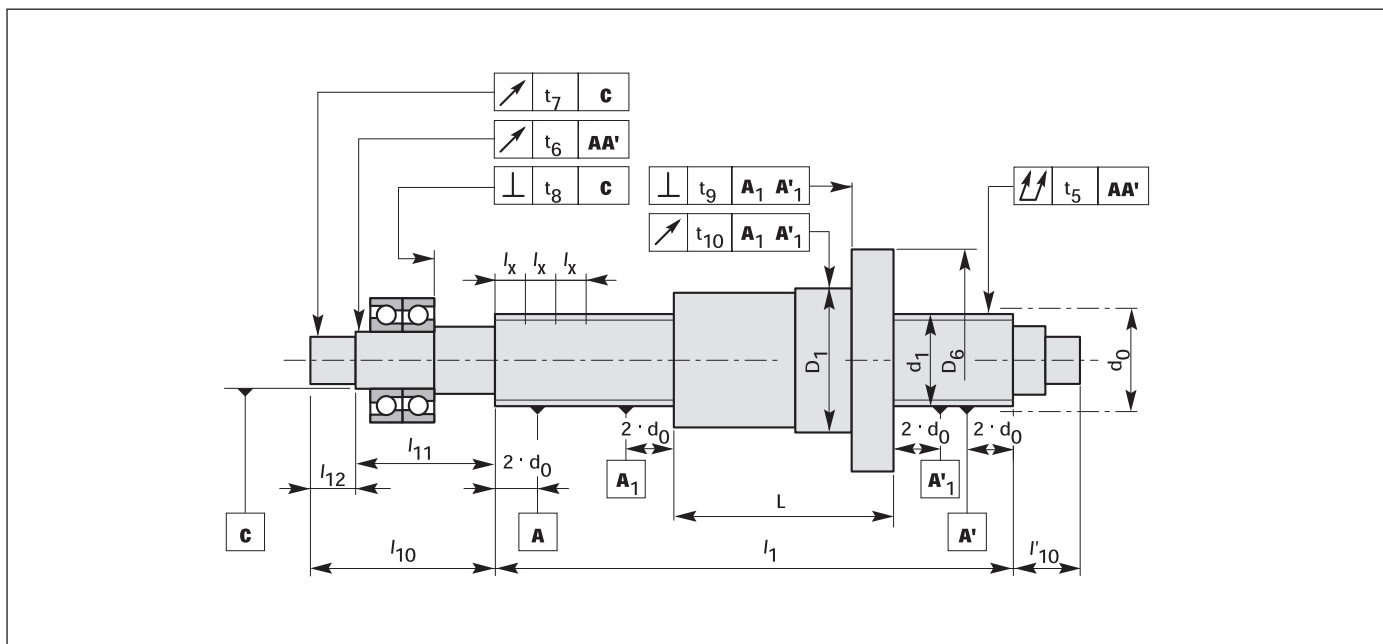
		P1 – 3	P5	t
v_{300p}	Permissible travel variance over 300 mm	Tab. 1	Tab. 1	Tab. 1
$v_{2\pi p}$	Permissible travel variance over 2π travel	Tab. 1	Tab. 1	–
c	Travel compensation	-0.01/1000	0	0
e_p	Limit deviations for useful distance l_u	Tab. 3	Tab. 3	$\pm \frac{l_u}{300} \cdot v_{300p}$
v_{up}	Permissible travel variance over useful travel l_u	Tab. 3	Tab. 3	–

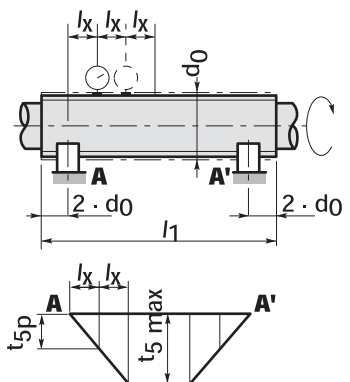
Tab. 1	Tolerance class				
	1	3	4	5	7
v_{300p} [μm]	6	12	18	23	52
$v_{2\pi p}$ [μm]	4	6	7	8	12

Tab. 2		Nominal lead					
		Ph [mm]	≤ 2.5	≤ 5	≤ 10	≤ 20	> 20
	Lead error	le [mm]	10	20	40	60	100

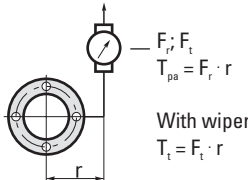
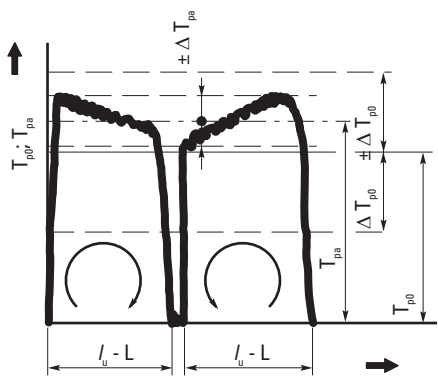
Tab. 3	l_u [mm]		Tolerance class																	
			>	0	315	400	500	630	800	1000	1250	1600	2000	2500	3150	4000	5000	6300	8000	10000
Tolerance class	1	e_p	6	7	8	9	10	11	13	15	18	22	26	32	39	48	60	76	94	115
		v_{up}	6	6	7	7	8	9	10	11	13	15	17	21	27	33	40	50	61	76
	3	e_p	12	13	15	16	18	21	24	29	35	41	50	62	76	92	115	140	175	220
		v_{up}	12	12	13	14	16	17	19	22	25	29	34	41	49	61	75	92	113	140
	4	e_p	18	18	20	22	25	28	33	39	46	55	68	84	102	125	159	199	240	290
		v_{up}	18	19	20	21	23	26	29	33	38	44	52	56	68	83	101	124	152	189
	5	e_p	23	25	27	32	36	40	47	55	65	78	96	115	140	170	210	270	330	410
		v_{up}	23	25	26	29	31	34	39	44	51	59	69	82	99	119	142	174	213	265

Acceptance Conditions



Acceptance	Description	Tolerance class				Tolerance class			
						1	3	5	7
		d_0 [mm]		l_x [mm]		Permissible deviation t_p [μ m]			
		>	\leq	>	\leq				
t_5	Radial runout for determining degree of straightness 	6	12	–	80	20	25	32	40
		12	25	–	160				
		25	50	–	315				
		50	100	–	630				
		100	200	–	1250				
			$t_{5 \max}$ for $l/d_0 \leq 40$	40	50	64	80		
			$t_{5 \max}$ for $40 < l/d_0 \leq 60$	60	75	96	120		
	$t_{5 \max}$ for $60 < l/d_0 \leq 80$	100	125	160	200				
	$t_{5 \max}$ for $80 < l/d_0 \leq 100$	160	200	256	320				
t_6	Concentricity t_6 according to d_0 and l_{11} . The greater of the two values applies.	d_0		l_{11}					
		>	\leq	>	\leq				
		–	32	–	80	10	12	20	32
			63	80	160	12	16	20	40
		63	125	160	250	16	20	25	50
		125	–	250	400	20	25	32	63
		–	–	400	630	25	32	40	80
–	–	630	–	32	40	50	100		

Acceptance Conditions

Acceptance	Description	TK				1	3	5	7
		d_0 [mm]		l_{12} [mm]		Permissible deviation t_p [μm]			
		>	\leq	>	\leq				
t_7	Concentricity t_7 , selected according to d_0 and l_{12} . The greater of the two values applies.	-	32	-	80	5	6	8	10
		32	63	80	160	6	8	10	12
		63	125	160	250	8	10	12	16
		125	-	250	400	10	12	16	20
		-	-	400	-	-	16	20	25
t_8	Axial runout	6	63	-	-	3	4	5	6
		63	125	-	-	4	5	6	8
		125	200	-	-	-	6	8	10
$t_9; t_{10}$	Axial and radial runout only for preloaded nut units or backlash-free nut units	$D_0; D$							
		>		\leq					
		16		32		10	12	16	20
		32		63		12	16	20	25
		63		125		16	20	25	32
		125		250		20	25	32	40
		250		500		-	32	40	50
t_{12}	<p>Drag torque (T_p) as a consequence of preloading (F_p) of the nut unit</p> <p>$n_{\text{const}} = 100$ rpm</p>  <p>ISO VG 100 lubricating oil</p> <p>Limit frequency for acceptance equipment = 1 Hz</p>  <p>L Nut length a Actual p Permissible o Nominal t Total</p>	Nominal drag torque		Permissible deviation ΔT_{p0} (%)					
		T_{p0} [Nm]		For $\frac{l_u}{d_0} \leq 40$ and $l_u \leq 4000$ mm					
		>		\leq					
		-		0.3		30	35	40	50
		0.3		0.6		25	30	35	40
		0.6		1.0		20	25	30	35
		1.0		2.5		15	20	25	30
		2.5		6.3		10	15	20	25
		6.3		-		-	10	15	25
						For $\frac{l_u}{d_0} \leq 60$ and $l_u \leq 4000$ mm			
		-		0.3		35	40	50	60
		0.3		0.6		30	35	40	50
		0.6		1.0		25	30	35	40
		1.0		2.5		20	25	30	35
		2.5		6.3		15	20	25	30
		6.3		-		-	15	20	30
						For $\frac{l_u}{d_0} > 60$ or $l_u > 4000$ mm			
		-		0.3		-	-	-	-
		0.3		0.6		-	-	-	-
		0.6		1.0		-	35	40	45
		1.0		2.5		-	30	35	40
		2.5		6.3		-	25	30	35
6.3		-		-	20	25	35		

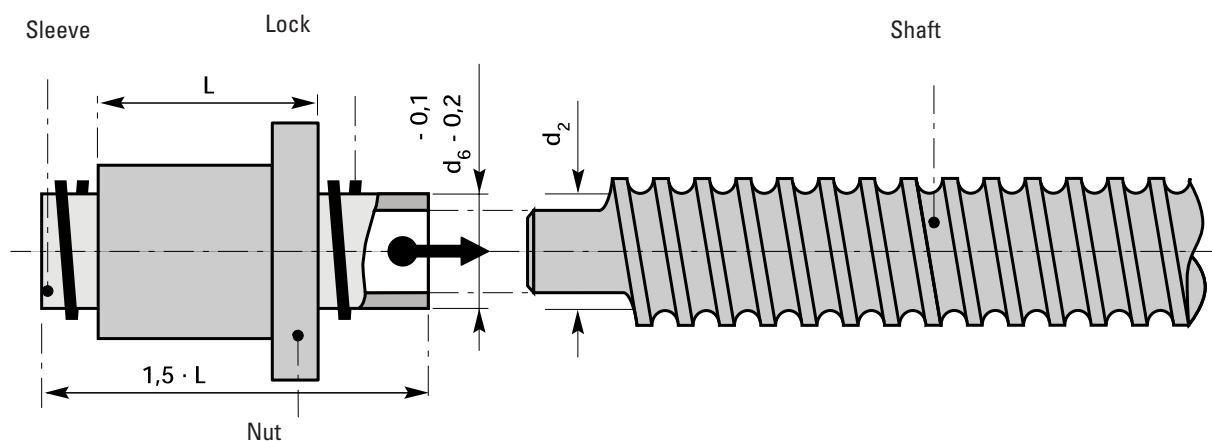
Materials

Part	Material (comparable)		Strength		Heat treatment
			R_m [N/mm ²]	R_e [N/mm ²]	
Shaft	Cf53	42CrMo4	≥ 610	≥ 380	60 ± 2 HRC Inductive hardening
Nut	ESP 65	19MnCr	> 800	> 600	60 ± 2 HRC hardened
Wiper	PPN 7190 TV 40 NBR 33				
Ball	100Cr6				64 ± 2 HRC

Special materials and heat or surface treatment upon request.

Permitted temperature in continuous operation -30 °C to +100 °C. Please inquire for other applications.

Fitting the nut



Lubrication

Correct lubrication for ball screws is not only essential in terms of achieving the expected service life, but also has an impact on smooth running properties, heat generation during operation and idling torque.

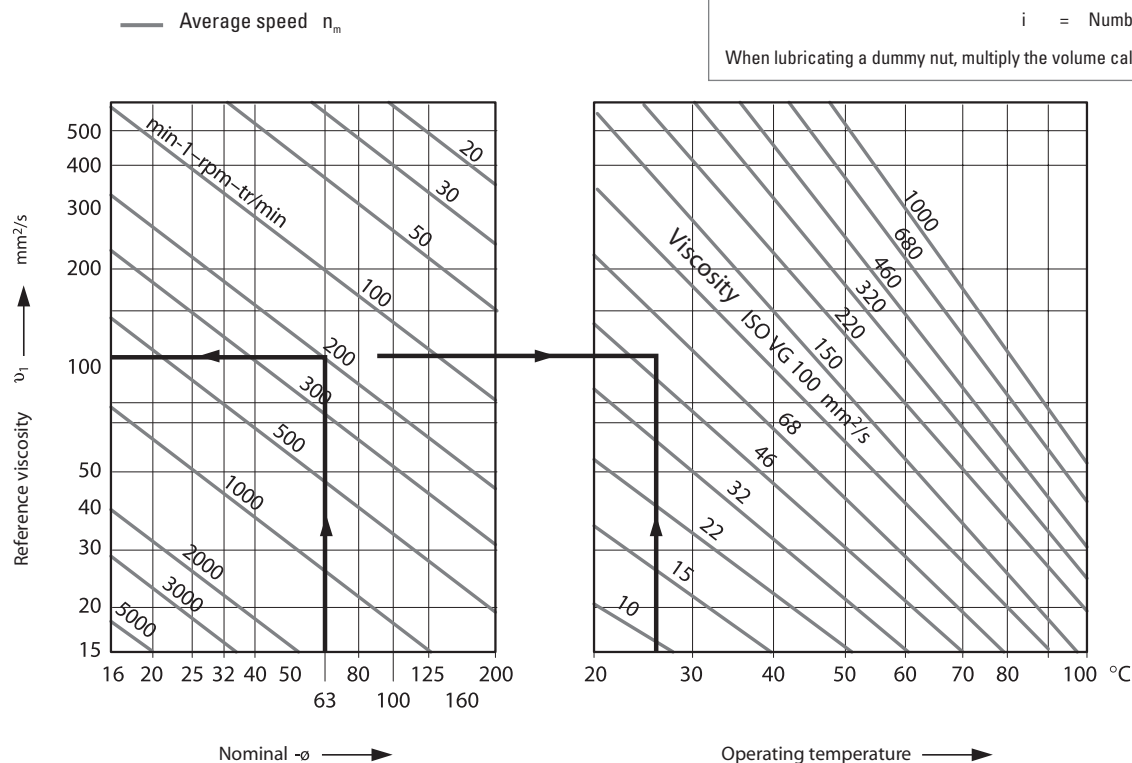
In principle, the types of oil and grease used for rolling bearings are suitable for this purpose. Unless the customer has specified otherwise, the function acceptance process is performed at Thomson using an oil in accordance with ISO VG100.

Oil lubrication

Generally speaking, CL oils are used in this context for increasing corrosion protection and durability. Alloyed CLP oils with EP additives can also be used. The appropriate level of viscosity depends on the circumferential speed (in other words, diameter and speed) and the ambient or expected operating temperature. The amount of oil required per ball revolution lies somewhere between 0.3 and 0.5 cm³/h, depending on the speed. Only 1/10 of this amount is needed if liquid grease is used. For oil bath lubrication, it is enough for the oil level to reach halfway up the lowest lying ball if the mounting position is horizontal. Use the diagram below to determine the viscosity level.

Example: KGT63 x 10
Average speed $n_m = 200$ rpm
Operating temperature $t = 25^\circ\text{C}$

For a nominal diameter of 63 mm and $n_m = 200$ rpm, the left part of the diagram shows a viscosity v_1 of 110 mm²/s. When this value is transferred to the diagram on the right, the point of intersection at a temperature of 25°C lies between ISO VG46 and ISO VG68. In order to ensure there is an adequate lubricating film during all operating states, the higher value should be selected in each case. This would be ISO VG68 in the current case, although even higher levels may be required for longer running times where fatigue may be an issue. The appropriate oils with this viscosity class can be selected from the table of lubricants shown below.



Grease lubrication

Grease can also be used to lubricate ball screws. This approach allows longer intervals between each lubrication.

Given that a small amount of grease escapes from the nut and remains on the shaft with each stroke of the ball screw, even when the wipers are working as well as they can, the amount of grease available reduces during operation. This limits the length of time the ball screw can be used without being regreased. The expected service life L10 can only be achieved if the grease lost is replaced by means of a centralized lubrication system or a lubrication schedule tailored to the application in question.

Manual regreasing can achieve an average of around 700 extra service hours. This figure can vary considerably, however, depending on the machine design and the conditions under which it is used.

Lubricating greases are divided into NLGI classes based on their penetration level in accordance with DIN 51818. Under normal conditions (operating temperatures between -20°C and $+120^\circ\text{C}$), waterproof greases from class K2K-20 in accordance with DIN 51825 should be used for ball screws. Greases from class K1K-20 (very high speeds) or KP2K-20 (very high loads or low speeds) can be used for special applications.

Greases which do not share the same saponification basis should not be mixed. The manufacturer must be consulted if operating temperatures are going to be higher or lower than the values specified. When deciding how much grease to use, look to fill about half of the space available. In order to avoid the ball screws heating up unnecessarily as a result of excess grease, machine designs should ensure that waste or superfluous grease is able to escape.

If you have any additional questions concerning lubrication, please consult our engineering consultants.

Calculation for determining volume when regreasing (using grease)

$$V_{RL} = \frac{d_0 \times P_h \times D_w \times i^{0.7}}{1250}$$

V_{RL} = Regreasing volume [g]
 d_0 = Nominal diameter of shaft [mm]
 P_h = Lead [mm]
 D_w = Diameter of ball [mm]
 i = Number of revolutions in nut

When lubricating a dummy nut, multiply the volume calculated by 2.5.

Recommended Lubricants

Viscosity class				
ISO	BP	CASTROL	ESSO	TOTAL FINA
VG 68	Energol RC 68 Energol HLP-D 68 Energol GR-XP 68 Maccurat 68D*	Hyspin AWS 68 Hyspin SP 68 Vario HDX Alpha SP 68 Alpha MW 68 Magnaglide D 68*	Teresso 68 Spartan EP 68 Febis K 68*	Hydran G 68
VG 100	Energol RC 100 Energol GR-XP 100	Hyspin AWS 100 Hyspin SP 100 Alpha SP 100 Alpha MW 100	Circulating oil 100 Spartan EP 100	Hydran G 100
VG 150	Energol RC 150 Energol GR-XP 150	Alpha SP 150 Alpha MW 150	Nuto 150 Spartan EP 150	Hydran G 150
VG200	Energol CS-HB 220 Energol CR-XP 220 Maccurat 220D*	Alpha SP 220 Alpha MW 220 Magnaglide D 220*	Nuto 220 Spartan EP 220 Febis K 220*	Hydran G 220
Not ISO				
K 1 K 20	Energrease LS 1	Available on request	Beakon EP 1	Marson L 1
K 2 K 20	Energrease LS 2 Multi-purpose grease L 2	Castrol Spheerol AP 2 Castrol product 783/46	Beakon 2 Unirex N 2 EXXON multi-purpose grease	Marson L 2
KP 2 K 20	Energrease LS-EP 2 BP long-life grease	Castrol ALV Castrol product 783/46	Beakon EP 2 Ronex MP-D	Marson EPL 2

Viscosity class		
ISO	KLÜBER	MOBIL
VG 68	Crucolan 68 Klüberoil GEM1-68	Vactra Oil Heavy Medium Mobilgear 626/Vactra Oil No. 2*
VG 100	Crucolan 100 Klüberoil GEM1-100	Vactra Oil Heavy Mobilgear 627
VG 150	Crucolan 150 Klüberoil GEM1-150	Vactra Oil Extra Heavy Mobilgear 627
VG200	Crucolan 220 Klüberoil GEM1-220	Mobil DTE Oil BB Mobilgear 630 / Vactra Oil No. 4*
Not ISO		
K 1 K 20	Centoplex 1 DL Centoplex 2	Mobilith AW1: (not available in Germany) Mobilux EP1: (not available in Germany)
K 2 K 20	Centoplex GLP 402	Mobilux 2
KP 2 K 20	Isoflex NBU 15 Staburags NBU 8 EP	Mobilux EP2 Mobilgrease HP 222

Trapezoidal Screws – Robust And High In Value

Trapezoidal screws are an inexpensive solution for design tasks relating to clamping, positioning and advance motions.

The range complies with DIN 103 and offers a wide selection of nuts made from various materials.

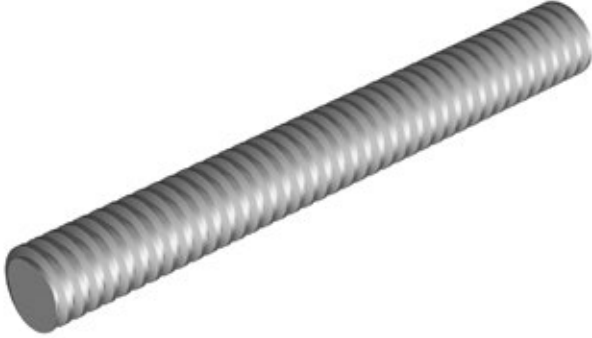
Every shaft can be supplied with customized end journals.



Trapezoidal Screws – Technical Data

Thomson trapezoidal-thread screws are manufactured in a rolled design. See separate catalog for other dimensions and coarse thread (V2A version).

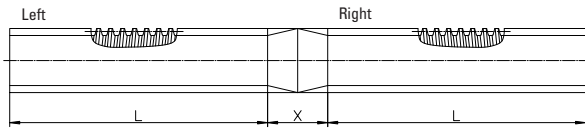
RPTS precision trapezoidal thread screw



Technical data

- Thread: Metric ISO trapezoidal thread complying with DIN 103
- Diameter: 10 – 80 mm
- Lead: 2 – 24 mm
- Number of starts: up to 6 threads
- Direction of rotation: right-hand thread, single-start also available as left-hand thread
- Length: up to 3000 mm to Tr 18 x 4
up to 6000 mm from Tr 20 x 4
- Material: 1.0401 (case-hardened steel C15) low-stress annealed, weldable
- Precision: 50 – 300 µm/300 mm
- Straightness: 0.1 – 0.5 mm/300 mm
- Right-hand/left-hand shaft: for leads of 2 – 10 mm
- End journal: as customer requirement

Trapezoidal-thread screw in right-hand and left-hand thread



Technical data

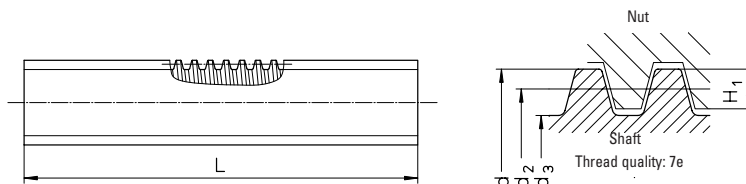
- Diameter: 10 – 80 mm
- Lead: 2 – 10 mm
- Number of starts: single-start
- Direction of rotation: right-hand thread and left-hand thread
- Length: maximum 3000 mm, from Tr 20x4 up to 6000 mm on request
- Material: 1.0401 (C15)
- Precision: 50 – 300 µm/300 mm
- Straightness: 0.1 – 0.5 mm/300 mm
- Dimension X: 100 mm
Diameter in area of dimension X is smaller than the nominal diameter

RPTS Trapezoidal Screws

RPTS rolled precision trapezoidal thread screw

Manufacturing length 3000 mm, available up to 6000 mm length in diameters of 20 mm and greater. Dimension L as customer requirement.

Material: 1.0401 (C15).



Style External diameter [mm] Lead [mm] right-hand/left-hand	d	Dimension [mm]				Precision [μm/ 300 mm]	Straight- ness [mm/ 300 mm]	$\alpha^{2)}$	$\eta^{3)}$	Distributed load [kg/m]	Geometrical moment of inertia [cm ⁴]	Section modulus ⁴⁾ [cm ³]	Mass moment of inertia [kg m ² /m]
		d _{2 min}	d _{2 max}	d ₃ ¹⁾	H ₁								
RPTS Tr 10x2 RPTS Tr 10x3	10	8.739 8.191	8.929 8.415	6.89 5.84	1 1.5	300 300	0.5 0.5	4° 2' 6° 24'	0.40 0.51	0.500 0.446	0.011 0.0057	0.032 0.020	0.51 · 10 ⁻⁵ 0.40 · 10 ⁻⁵
RPTS Tr 12x3 RPTS Tr 12x6 P3 ⁵⁾	12 12	10.191 10.165	10.415 10.415	7.84 7.84	1.5 1.5	300 300	0.5 0.5	5° 11' 10° 18'	0.46 0.62	0.68 0.68	0.019 0.019	0.047 0.047	0.94 · 10 ⁻⁵ 0.94 · 10 ⁻⁵
RPTS Tr 14x3 RPTS Tr 14x4	14	12.191 11.640	12.415 11.905	9.84 8.80	1.5 2	300 300	0.5 0.5	4° 22' 6° 3'	0.42 0.50	0.96 0.888	0.046 0.029	0.094 0.067	1.88 · 15 ⁻⁵ 1.60 · 10 ⁻⁵
RPTS Tr 16x2 RPTS Tr 16x4 RPTS Tr 16x8 P4 ⁵⁾	16 16 16	14.729 13.640 13.608	14.929 13.905 13.905	12.89 10.80 10.80	1 2 2	50 50 300	0.1 0.1 0.3	2° 36' 5° 11' 10° 18'	0.28 0.46 0.62	1.39 1.21 1.21	0.136 0.067 0.067	0.210 0.124 0.124	3.90 · 10 ⁻⁵ 2.96 · 10 ⁻⁵ 2.96 · 10 ⁻⁵
RPTS Tr 18x4	18	15.640	15.905	12.80	2	50	0.1	4° 32'	0.43	1.58	0.132	0.206	5.05 · 10 ⁻⁵
RPTS Tr 20x4 RPTS Tr 20x8 P4 ⁵⁾ RPTS Tr 20x16 P4 ⁵⁾	20	17.640 17.608 17.608	17.905 17.905 17.905	14.80 14.80 14.80	2 2 2	50 200 200	0.1 0.2 0.2	4° 2' 8° 3' 15° 47'	0.40 0.57 0.71	2.00 2.00 2.00	0.236 0.236 0.236	0.318 0.318 0.318	8.10 · 10 ⁻⁵ 8.10 · 10 ⁻⁵ 8.10 · 10 ⁻⁵
RPTS Tr 22x5 RPTS Tr 22x24 P4 S ⁵⁾⁶⁾	22	19.114 19.140	19.394 19.505	15.50 16.50	2.5 2	50 200	0.1 0.2	4° 39' 21° 34'	0.43 0.75	2.34 2.34	0.283 0.364	0.366 0.441	1.11 · 10 ⁻⁴ 1.11 · 10 ⁻⁴
RPTS Tr 24x5 RPTS Tr 24x10 P5 ⁵⁾	24	21.094 21.058	21.394 21.394	17.50 17.50	2.5 2.5	50 200	0.1 0.2	4° 14' 8° 25'	0.41 0.58	2.85 2.85	0.460 0.460	0.526 0.526	1.65 · 10 ⁻⁴ 1.65 · 10 ⁻⁴
RPTS Tr 26x5	26	23.094	23.394	19.50	2.5	50	0.1	3° 52'	0.39	3.40	0.710	0.728	2.35 · 10 ⁻⁴
RPTS Tr 28x5	28	25.094	25.394	21.50	2.5	50	0.1	3° 34'	0.37	4.01	1.050	0.976	3.26 · 10 ⁻⁴
RPTS Tr 30x6 RPTS Tr 30x12 P6 ⁵⁾	30	26.547 26.507	26.882 26.882	21.90 21.90	3 3	50 200	0.1 0.2	4° 2' 8° 3'	0.40 0.57	4.50 4.50	1.130 1.130	1.030 1.030	4.10 · 10 ⁻⁴ 4.10 · 10 ⁻⁴
RPTS Tr 32x6	32	28.547	28.882	23.90	3	50	0.1	3° 46'	0.38	5.19	1.600	1.340	5.45 · 10 ⁻⁴
RPTS Tr 36x6	36	32.547	32.882	27.90	3	50	0.1	3° 18'	0.35	6.71	2.970	2.130	9.10 · 10 ⁻⁴
RPTS Tr 40x7 RPTS Tr 40x14 P7 ⁵⁾	40	36.020 35.978	36.375 36.375	30.50 30.50	3.5 3.5	50 200	0.1 0.2	3° 29' 6° 57'	0.37 0.53	8.21 8.21	4.250 4.250	2.790 2.790	1.37 · 10 ⁻³ 1.37 · 10 ⁻³
RPTS Tr 44x7	44	40.020	40.275	34.50	3.5	50	0.1	3° 8'	0.34	10.10	6.950	4.030	2.10 · 10 ⁻³
RPTS Tr 48x8	48	43.468	43.868	37.80	4	100	0.1	3° 18'	0.35	12.00	10.000	5.300	2.90 · 10 ⁻³
RPTS Tr 50x8	50	45.468	45.868	39.30	4	100	0.1	3° 10'	0.34	13.10	11.700	5.960	3.40 · 10 ⁻³
RPTS Tr 60x9	60	54.935	55.360	48.15	4.5	200	0.3	2° 57'	0.33	19.00	26.400	11.000	7.30 · 10 ⁻³
RPTS Tr 70x10	70	64.425	64.850	57.00	5	200	0.3	2° 48'	0.32	26.00	51.800	18.200	1.40 · 10 ⁻²
RPTS Tr 80x10	80	74.425	74.850	67.00	5	200	0.3	2° 25'	0.29	34.70	98.900	29.500	2.40 · 10 ⁻²

¹⁾ In a deviation from DIN 103 the minor diameter is slightly smaller for greater root rounding.

²⁾ Pitch angle at the pitch diameter; → formula (XVI) p. 83.

³⁾ Theoretical efficiency for the transformation of a rotary motion into an axial motion at coefficient of friction $\mu = 0.1$.
Efficiency for other coefficients of friction; → formula (XVI) p. 83.

⁴⁾ The polar resistance moment is twice as great as the resistance moment.

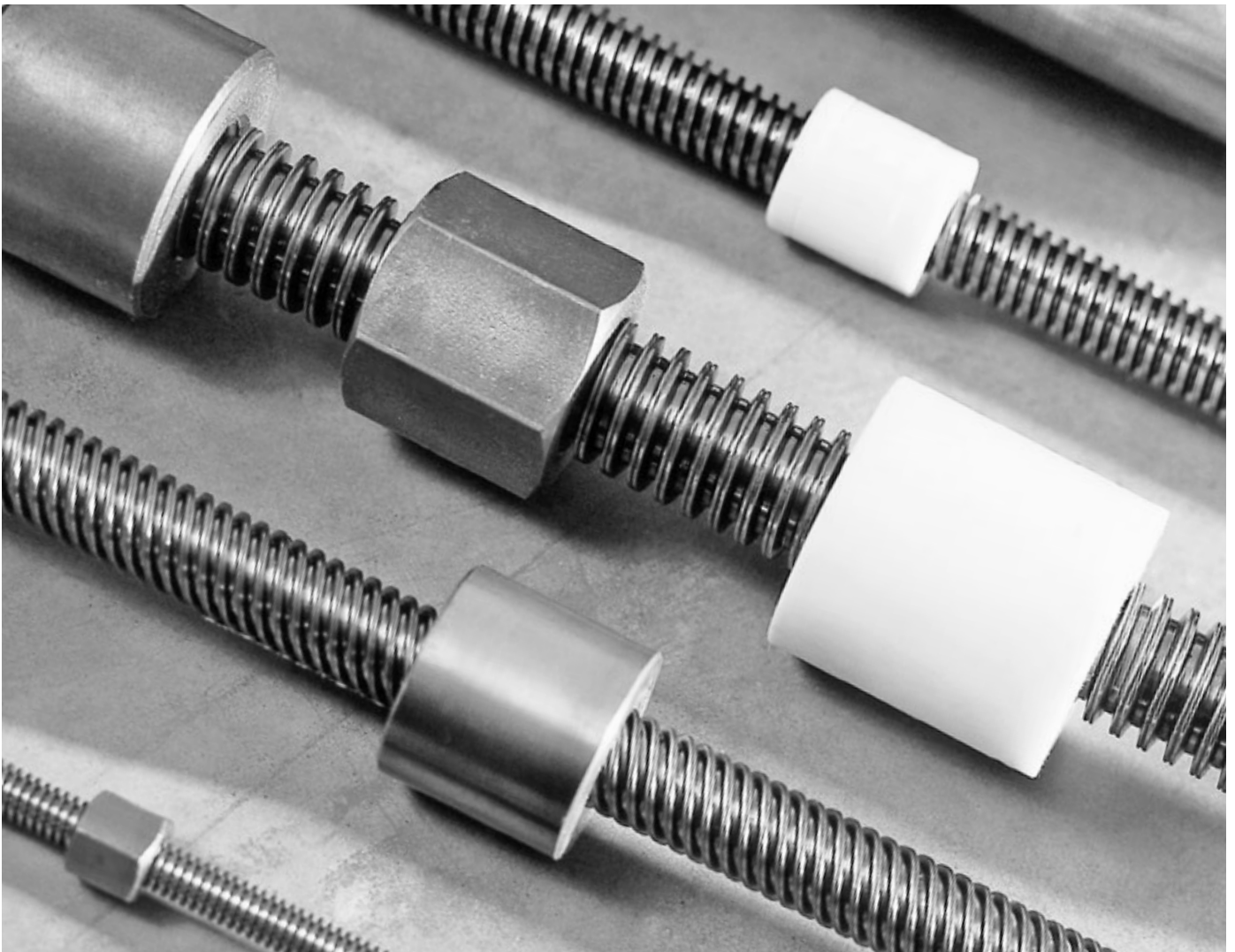
⁵⁾ Right-hand thread only.

⁶⁾ Special profile.

Trapezoidal Nuts

Trapezoidal thread nuts complying with DIN 103, tolerance class 7H.

In principle, chased versions of nuts with \varnothing 18 mm and above are available for all screws.



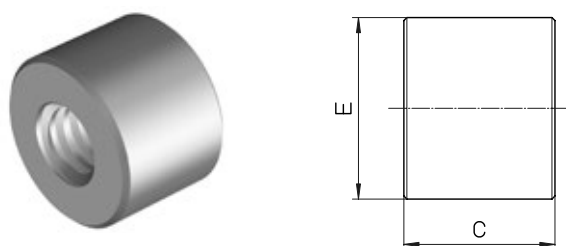
Trapezoidal Nuts

KSM short cylindrical steel nut blank

Suitable for clamping, adjustment movements in manual operation and as a fixing nut. Not suited for motion systems as the steel-steel sliding pairing has a tendency to scuff.

Further processing: The thread may be used as a reference for precise instructions on use and installation.

Material: Free-cutting steel 1.0718 (9 SMn 28K).



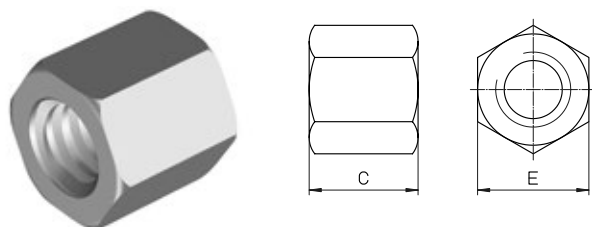
Style	E [mm]	C [mm]	Mass [kg]
KSM Tr 10x2	22	15	0.037
KSM Tr 10x3	22	15	0.036
KSM Tr 12x3	26	18	0.064
KSM Tr 14x3	30	21	0.96
KSM Tr 14x4	30	21	0.96
KSM Tr 16x4	36	24	0.16
KSM Tr 18x4	40	27	0.22
KSM Tr 20x4	45	30	0.31
KSM Tr 22x5	45	33	0.33
KSM Tr 24x5	50	36	0.45
KSM Tr 26x5	50	39	0.47
KSM Tr 28x5	60	42	0.76
KSM Tr 30x6	60	45	0.79
KSM Tr 32x6	60	48	0.81
KSM Tr 36x6	75	54	1.5
KSM Tr 40x7	80	60	1.9
KSM Tr 44x7	80	66	2.7
KSM Tr 48x8	90	72	2.9
KSM Tr 50x8	90	75	2.7
KSM Tr 60x9	100	90	3.7
KSM Tr 70x10	110	105	4.9
KSM Tr 80x10	120	120	6.4

SKM hexagonal steel nut

For clamping, adjustment movements in manual operation and as a fixing nut. Not suited for motion systems as the steel-steel sliding pairing has a tendency to scuff.

Further processing: The thread may be used as a reference for precise instructions on use and installation.

Material: Free-cutting steel 1.0718 (9 SMn 28K).



Style	E [mm]	C [mm]	Mass [kg]
SKM Tr 10x2	17	15	0.022
SKM Tr 10x3	17	15	0.022
SKM Tr 12x3	19	18	0.028
SKM Tr 14x3	22	21	0.044
SKM Tr 14x4	22	21	0.044
SKM Tr 16x4	27	24	0.084
SKM Tr 18x4	27	27	0.086
SKM Tr 20x4	30	30	0.17
SKM Tr 22x5	30	33	0.17
SKM Tr 24x5	36	36	0.20
SKM Tr 26x5	36	39	0.20
SKM Tr 28x5	41	42	0.30
SKM Tr 30x6	46	45	0.43
SKM Tr 32x6	46	48	0.42
SKM Tr 36x6	55	54	0.73
SKM Tr 40x7	65	60	1.3
SKM Tr 44x7	65	66	1.2
SKM Tr 48x8	75	72	1.8
SKM Tr 50x8	75	75	1.8
SKM Tr 60x9	90	90	2.8
SKM Tr 70x10	90	105	3.1

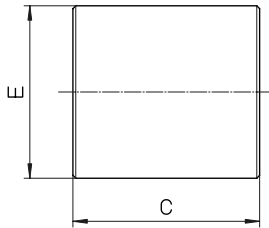
Trapezoidal Nuts

LRM long cylindrical gunmetal nut

For motion systems in continuous operation with particularly favorable wear characteristics. Suitable as safety nut.

Further processing: The thread may be used as a reference for precise instructions on use and installation.

Material: 2.1090 (G-CuSn 7Zn Pb (Rg7)), characteristics → page 124.



Style	E [mm]	C [mm]	Mass [kg]	Bearing length ratio [mm ²]
LRM Tr 10x2	22	20	0.056	200
LRM Tr 10x3	22	20	0.056	190
LRM Tr 12x3	26	24	0.092	280
LRM Tr 12x6 P3 ¹⁾	26	24	0.092	280
LRM Tr 14x3	30	28	0.14	380
LRM Tr 14x4	30	28	0.14	370
LRM Tr 16x2	36	32	0.25	490
LRM Tr 16x4	36	32	0.25	490
LRM Tr 16x8 P4 ¹⁾	36	32	0.25	490
LRM Tr 18x4	40	36	0.34	630
LRM Tr 20x4	45	40	0.48	790
LRM Tr 20x8 P4 ¹⁾	45	40	0.45	790
LRM Tr 22x5	45	40	0.46	850
LRM Tr 22x24 P4S ^{1) 2)}	45	40	0.46	880
LRM Tr 24x5	50	48	0.69	1130
LRM Tr 24x10 P5 ¹⁾	50	48	0.65	1130
LRM Tr 26x5	50	48	0.58	1240
LRM Tr 28x5	60	60	1.2	1680
LRM Tr 30x6	60	60	1.2	1780
LRM Tr 30x12 P6 ¹⁾	60	60	1.2	1780
LRM Tr 32x6	60	60	1.2	1910
LRM Tr 36x6	75	72	2.2	2610
LRM Tr 40x7	80	80	2.8	3210
LRM Tr 40x14 P7 ¹⁾	80	80	2.8	3210
LRM Tr 44x7	80	80	2.6	3560
LRM Tr 48x8	90	100	4.3	4840
LRM Tr 50x8	90	100	4.2	5060
LRM Tr 60x9	100	120	5.7	7320
LRM Tr 70x10	110	140	7.6	10000
LRM Tr 80x10	120	160	9.7	13200

¹⁾ Right-hand thread only.

²⁾ Special profile; nominal diameter 21.5.

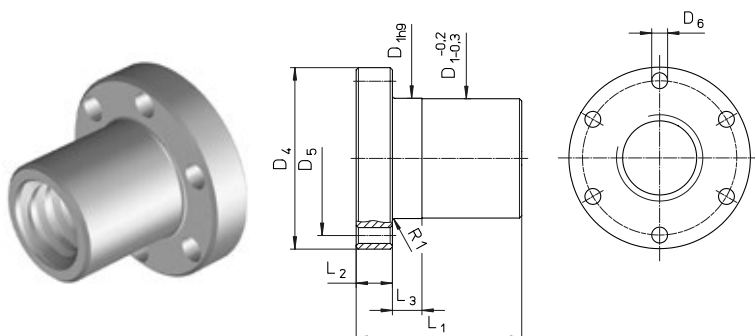
Trapezoidal Nuts

EFM complete bronze nut

For motion systems in continuous operation with particularly favorable wear characteristics. Suitable as safety nut.

EFM can be fitted with the KON and KAR adapters (→ pages 125–126).

Material: 2.1090 (G-CuSn 7Zn Pb (Rg7)), characteristics → page 124.



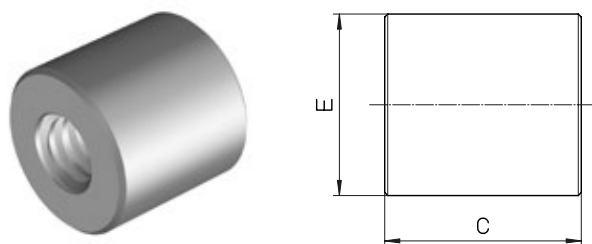
Style	Dimensions [mm]							Mass [kg]	Bearing length ratio [mm ²]
	D ₁	D ₄	D ₅	6xD ₆	L ₁	L ₂	L ₃		
EFM Tr 16x4	28	48	38	6	44	12	8	0.25	670
EFM Tr 18x4	28	48	38	6	44	12	8	0.25	770
EFM Tr 20x4	32	55	45	7	44	12	8	0.30	870
EFM Tr 24x5	32	55	45	7	44	12	8	0.30	1040
EFM Tr 30x6	38	62	50	7	46	14	8	0.40	1370
EFM Tr 36x6	45	70	58	7	59	16	10	0.60	2140
EFM Tr 40x7	63	95	78	9	73	16	10	1.70	2930
EFM Tr 50x8	72	110	90	11	97	18	10	2.60	4900
EFM Tr 60x9	85	125	105	11	99	20	10	3.70	6040
EFM Tr 70x10	95	180	140	17	100	30	16	7.80	8250
EFM Tr 80x10	105	190	150	17	110	30	16	8.90	10890

LKM long cylindrical plastic nut

For low-noise motion systems with higher speeds and longer duty times. Especially recommended in combination with rolled trapezoidal lead screws. Good emergency running characteristics.

Material: PETP, characteristics → page 124.

Lubrication: FUCHS LUBRITEC, URETHYN EM 1 synthetic oil-based semi-fluid transmission grease



Style	E [mm]	C [mm]	Mass [kg]	Bearing length ratio [mm ²]
LKM Tr 12x3	26	24	0.012	280
LKM Tr 12x6 P3	26	24	0.012	280
LKM Tr 16x4	36	32	0.032	490
LKM Tr 16x8 P4	36	32	0.032	490
LKM Tr 20x4	45	40	0.06	790
LKM Tr 20x8 P4	45	40	0.06	790
LKM Tr 24x5	50	48	0.088	1130
LKM Tr 30x6	60	60	0.15	1780
LKM Tr 30x12 P6	60	60	0.15	1780
LKM Tr 36x6	75	72	0.30	2610
LKM Tr 40x7	80	80	0.37	3210
LKM Tr 50x8	90	100	0.55	5060

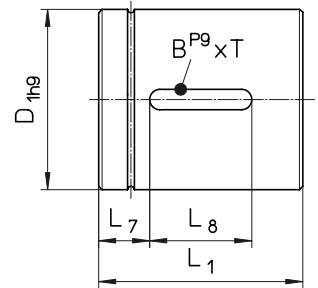
Right-hand thread only, left-hand thread on request.

Trapezoidal Nuts

EKM complete plastic nuts

For low-noise motion systems with higher speeds and longer duty times under moderate load. Good emergency running characteristics. Especially recommended in combination with rolled trapezoidal lead screws.

Material: PETP, see below for characteristics.



Style	Dimensions [mm]					Mass [kg/each]	Bearing length ratio [mm2]
	$\varnothing D_1$	L_1	L_7	L_8	WxD		
EKM Tr 16x4	28	34	7	20	5x2.9	0.02	520
EKM Tr 20x4	32	34	7	20	5x2.9	0.03	670
EKM Tr 20x8P4	32	34	7	20	5x2.9	0.03	670
EKM Tr 20x16 P4	32	34	7	20	5x2.9	0.03	670

EKM with left-hand thread on request.

Material properties

Material 2.1090

- 0.2 % yield point $R_{p0.2}$: 120 N/mm²
- Tensile strength R_m (δB): 240 N/mm²
- Elongation at fracture A5 min.: 15 %
- Brinell hardness HB 10/1000: 65
- Density: 8.8 kg/dm³
- Modulus of elasticity: 90000 N/mm²
- pv factor: 300 N/mm² · m/min

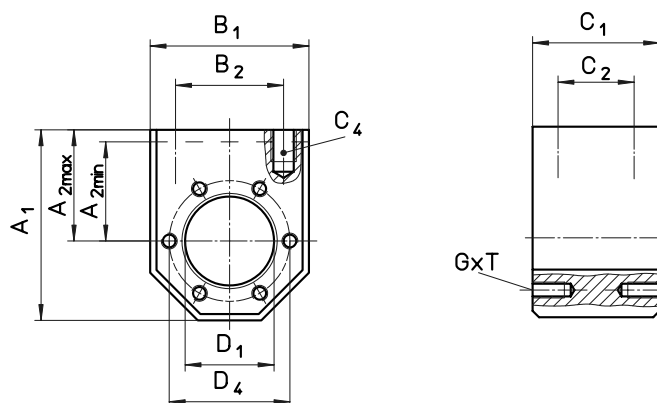
Material PETP

- Tensile strength: 80 N/mm²
- Modulus of elasticity: 2800 – 3000 N/mm²
- Impact strength: 40 kJm²
- Notched bar impact strength: 4 kJm²
- Thermal expansion: 8,5 · 10⁻⁵/°C
- Water absorption: 0.25 %
- Water saturation: 0.6 %
- Density: 1.38 kg/dm³
- Friction against steel: 0.05 – 0.08
- Ball indentation hardness H 358/30: 150 N/mm²
- Elongation at yield stress of 80 N/mm²: 4 – 5 %
- pv factor: 100 N/mm² · m/min
- Maximum pressure per unit area: 10 N/mm²
- Maximum sliding speed: 120 m/min

Trapezoidal Nuts – KON Adapter Support

Adapter support for radial fastening of EFM trapezoidal thread flanged nut.

Material: 1.0065 (St37) or 1.0507 (St52).



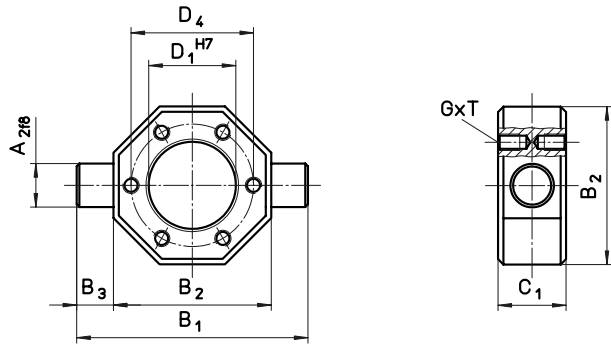
Style for EFM	ID number	Dimensions [mm]										
		A ₁	A _{2 max} ¹⁾	A _{2 min}	B ₁	B ₂	C ₁	C ₂	C ₄	D ₁	D ₄	Th x D
KON Tr 16x4/Tr 18x4	89022032	60	35	25	50	34	40	24	M 8x15	28	38	M 5x10
KON Tr 20x4/Tr 24x5	89022033	68	37.5	29	58	39	40	24	M 8x15	32	45	M 6x12
KON Tr 30x6	89022034	75	42.5	32.5	65	49	40	24	M 10x15	38	50	M 6x12
KON Tr 36x6	89022036	82	45	37	75	54	50	30	M 10x12	45	58	M 6x12
KON Tr 40x7	89022038	120	70	50	100	76	65	41	M 14x25	63	78	M 8x14
KON Tr 50x8	89022039	135	77.5	57.5	115	91	88	64	M 16x25	72	90	M 10x16
KON Tr 60x9	89022040	152	87.5	65	130	101	88	64	M 16x30	85	105	M 10x16

¹⁾ Standard = A_{2 max} (as delivered)

KAR Universal Joint Adapter

Universal joint adapter for universally mounting on EFM trapezoidal thread flanged nut.

Material: 1.0065 (St37) or 1.0507 (St52).

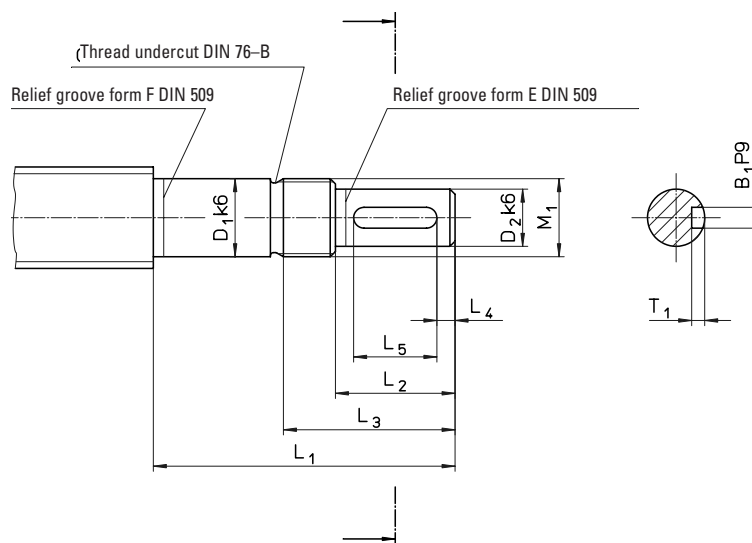


Style for EFM	ID number	Dimensions [mm]							
		A ₂	B ₁	B ₂	B ₃	C ₁	D ₁	D ₄	Th x D
KAR Tr 16x4/Tr 18x4	89022013	12	70	50	10	20	28	38	M 5x10
KAR Tr 20x4/Tr 24x5	89022014	16	85	58	13.5	25	32	45	M 6x12
KAR Tr 30x6	89022016	18	95	65	15	25	38	50	M 6x12
KAR Tr 36x6	89022017	20	110	75	17.5	30	45	58	M 6x12
KAR Tr 40x7	89022019	30	140	100	20	40	63	78	M 8x14
KAR Tr 50x8	89022020	40	165	115	25	50	72	90	M 10x16
KAR Tr 60x9	89022021	40	180	130	25	50	85	105	M 10x16

End Journals For Loose Bearings/Fixed Bearings Form D, F

The type of bearing selected influences the stiffness of the lead screw system as a whole and also the rotational vibration and buckling behavior of the lead screw shaft. The required end journals are made for the trapezoidal lead screw according to the various types of bearing.

Note: Bearings are not supplied.



Form D TGT	Dimensions [mm]									Bearing ZKLF...2RS
	D_1	D_2	L_1	L_2	L_3	L_4	L_5	M_1	$W_1 \times D_1$	
Tr 18/20/22x...	12	9	55	20	32	2.5	16	M 12x1	3x1.8	1255
Tr 24/26x...	15	11	58	23	35	3.5	16	M 15x1	4x2.5	1560
Tr 28/30/32x...	20	14	70	30	44	4	22	M 20x1	5x3	2068
Tr 36x...	25	19	82	40	57	6	28	M 25x1.5	6x3.5	2575
Tr 40/44/48/50x...	30	24	92	50	67	7	36	M 30x1.5	8x4	3080

Form F TGT	Dimensions [mm]									Bearing ZARN...LTN
	D_1	D_2	L_1	L_2	L_3	L_4	L_5	M_1	$W_1 \times D_1$	
Tr 22/24/26x...	15	11	73	23	35	3.5	16	M 15x1	4x2.5	1545
Tr 28/30/32x...	20	14	88	30	45	4	22	M 20x1	5x3	2052
Tr 28/30/32x...	20	14	107	30	50	4	22	M 20x1	5x3	2062
Tr 36/40/44x...	25	19	105	40	58	6	28	M 25x1.5	6x3.5	2557
Tr 36/40/44x...	25	19	120	40	63	6	28	M 25x1.5	6x3.5	2572
Tr 48/50x...	35	28	145	60	82	10	40	M 35x1.5	8x4	3585
Tr 60/70x...	40	36	175	80	103	8.5	63	M 40x1.5	10x5	4090
Tr 80x...	55	48	215	110	136	10	90	M 55x2	14x5.5	55115

End Journals For Loose Bearings/Fixed Bearings Form H, J, L, Z

Form H TGT	Dimensions [mm]									Bearing ZARF...LTN
	D ₁	D ₂	L ₁	L ₂	L ₃	L ₄	L ₅	M ₁	W ₁ xD ₁	
Tr 22/24/26x...	15	11	85	23	35	3.5	16	M 15x1	4x2.5	1560
Tr 28/30/32x...	20	14	102	30	44	4	22	M 20x1	5x3	2068
Tr 28/30/32x...	20	14	122	30	49	4	22	M 20x1	5x3	2080
Tr 36/40/44x...	25	19	120	40	57	6	28	M 25x1.5	6x3.5	2575
Tr 36/40/44x...	25	19	135	40	63	6	28	M 25x1.5	6x3.5	2590
Tr 48/50x...	35	28	160	60	81	10	40	M 35x1.5	8x4	35110
Tr 60/70x...	40	36	195	80	105	8.5	63	M 40x1.5	10x5	40115
Tr 80x...	55	48	235	110	135	10	90	M 55x2	14x5.5	55145

Form J TGT	Dimensions [mm]									Bearing FDX
	D ₁	D ₂	L ₁	L ₂	L ₃	L ₄	L ₅	M ₁	W ₁ xD ₁	
Tr 20/22x...	12	9	88	20	32	2.5	16	M 12x1	3x1.8	12
Tr 24/26x...	15	11	92	23	35	3.5	16	M 15x1	4x2.5	15
Tr 28/30/32x...	20	14	107	30	44	4	22	M 20x1	5x3	20
Tr 36/40/44x...	25	19	122	40	57	6	28	M 25x1.5	6x3.5	25
Tr 48/50x...	30	24	136	50	72	7	36	M 30x1.5	8x4	30
Tr 60x...	40	36	182	80	102	8.5	63	M 40x1.5	10x5	40

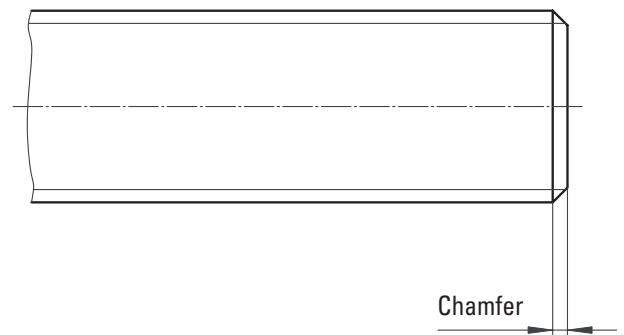
Form L TGT	Dimensions [mm]									Bearing
	D ₁	D ₂	L ₁	L ₂	L ₃	L ₄	L ₅	M ₁	W ₁ xD ₁	
Tr 16/18x...	10	8	55	20	30	–	–	M 10x0.75	–	7200 BE RS
Tr 20/22x...	12	9	58	20	30	2.5	16	M 12x1	3x1.8	7201 BE RS
Tr 24/26x...	15	11	73	23	33	3.5	16	M 15x1	4x2.5	7202 BE RS
Tr 28/30/32x...	20	14	88	30	43	4	22	M 20x1	5x3	7204 BE RS
Tr 36/40/44x...	25	19	120	40	55	6	28	M 25x1.5	6x3.5	7205 BE RS
Tr 48/50x...	35	28	145	60	77	10	40	M 35x1.5	8x4	7207 BE RS
Tr 60x...	40	36	175	80	103	8.5	63	M 40x1.5	10x5	7208 BE RS
Tr 70/80x...	55	48	215	110	133	10	90	M 55x2	14x5.5	7211 BE RS

Form Z

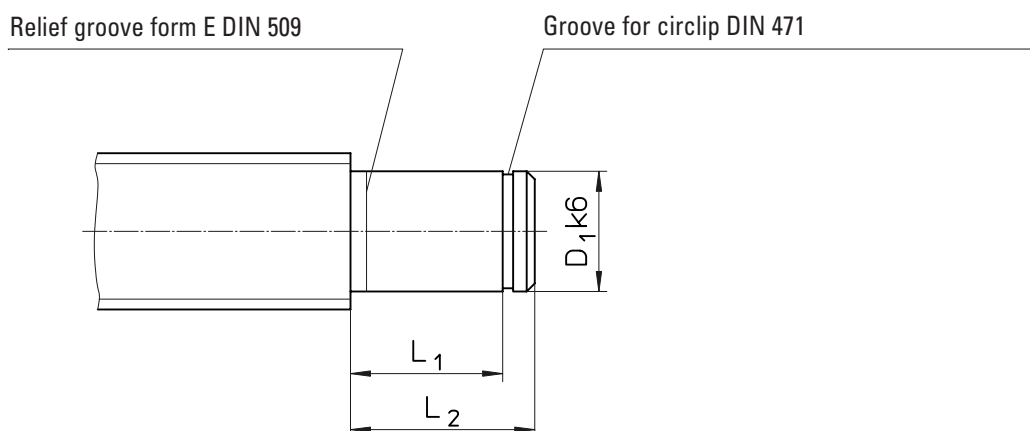
Chamfer 2 x 45°: TGS of \varnothing 12 – 25 mm

Chamfer 3 x 45°: TGS of \varnothing 26 – 40 mm

Chamfer 4 x 45°: TGS of \varnothing 44 – 50 mm



End Journals For Loose Bearings/Fixed Bearings Form S, T, W, K



Form S TGT	Dimensions [mm]			Spacer bushing	Bearing
	D_1	L_1	L_2		
Tr 18/20x...	12	40	45	18x12.1x24	6001 RS
Tr 22/24/26x...	15	46	51	21x15.1x28	6002 RS
Tr 28/30/32x...	20	53	58	27x20.1x29	6004 RS
Tr 36x...	25	53	58	32x25.1x23	6205 RS
Tr 40/44/48/50x...	30	60	68	40x30.1x28	6206 RS
Tr 60x...	40	80	88	50x40.1x44	6208 RS
Tr 70/80x...	55	102	110	65x55.1x60	6211 RS

Form T TGT	Dimensions [mm]			Inner ring	Needle bearings
	D_1	L_1	L_2		
Tr 18/20x...	12	40	45	2 IR 12x16x20	HK 1614 RS
Tr 22/24/26x...	15	46	51	2 IR 15x20x23	HK 2018 RS
Tr 28/30/32x...	20	53	58	2 LR 20x25x26.5	HK 2518 RS
Tr 36x...	25	53	58	2 LR 25x30x26.5	HK 3018 RS
Tr 40/44/48/50x...	30	60	68	2 LR 30x35x30	HK 3518 RS
Tr 60x...	40	80	88	4 LR 40x45x20	HK 4518 RS

Form K: Special manufacture, in accordance with customer drawing.

Form W TGT	Dimensions [mm]			Bearing
	D_1	L_1	L_2	
Tr 14/16x...	10	8	12	6000 RS
Tr 18/20x...	12	8	12	6001 RS
Tr 22/24/26x...	15	9	13	6002 RS
Tr 28/30/32x...	20	12	16	6004 RS
Tr 36x...	25	15	20	6205 RS
Tr 40/44/48/50x...	30	16	21	6206 RS
Tr 60x...	40	18	25	6208 RS
Tr 70/80x...	55	21	29	6211 RS

Calculation

Load capacity of trapezoidal thread screws

The load capacity of sliding pairs is dependent on many factors such as materials used, surface properties, amount of wear, area pressure, lubrication status, speed and temperature. In turn, some of these factors depends on the total duty time and the efficiency of the heat dissipation.

The permissible area pressure is primarily dependent on the sliding speed of the lead screw.

The area pressure for motion systems should not exceed the maximum permissible value of the material.

The permissible speed can be calculated from the bearing length ratio of the nut and the pv factor of the nut material concerned.

pv factors	
Material	pv factors [N/mm ² · m/min]
G-CuSn 7 ZnPb (Rg 7)	300
G-CuSn 12 (G Bz 12)	400
Plastic (PETP)	100
Cast iron GG 22/GG 25	200

P _p factors	
Material	P _p factors [N/mm ²]
G-CuSn 7 ZnPb (Rg7)	10 - 20
G-CuSn 12 (G Bz 12)	10 - 20
Plastic (PETP)	5 - 10
Cast iron GG 22/GG 25	5

Maximum values valid for low duty cycles and low speed of travel.

Required bearing length ratio

$$(VIII) \quad A_{\text{erf}} = \frac{F_{\text{ax}}}{P_p}$$

A_{erf} Required bearing length ratio [mm²]
F_{ax} Axial load acting [N]
P_p Maximum permissible area pressure

Maximum permissible sliding speed

$$(IX) \quad v_{Gp} = \frac{pv - \text{Wert}}{P_p}$$

pv factor See table
v_{Gp} Maximum permissible sliding speed [m/min]

Maximum permissible speed

$$(X) \quad n_p = \frac{v_{Gp} \cdot 1000}{D \cdot \pi}$$

D Pitch diameter [mm]
n_p Maximum permissible speed [rpm]

Permissible advance speed

$$(XI) \quad s_p = \frac{n_p \cdot P}{1000}$$

P Thread pitch [mm]
s_p Permissible advance speed [m/min]

Calculation

Critical speed of trapezoidal thread screws

There is a risk of resonance bending vibration in slender rotating components such as shafts. The method described below permits the estimation of the resonant frequency on the assumption of an adequately rigid installation. Speeds close to the critical speed further increase the risk of lateral buckling. The critical speed must, therefore, also be viewed in conjunction with the critical buckling force.

Maximum permissible shaft speed

$$(XII) \quad n_p = 0,8 \cdot n_{cr} \cdot f_{cr}$$

n_p Maximum permissible shaft speed [rpm]
 n_{cr} Theoretical critical shaft speed [rpm], leading to resonance vibrations → see graph
 f_{cr} Correction factor taking into consideration the type of shaft bearing → see table

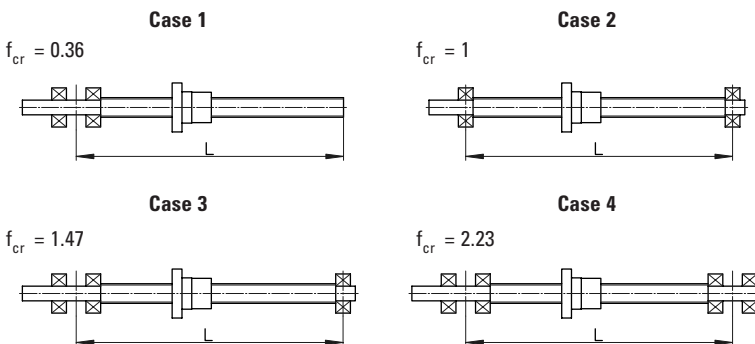
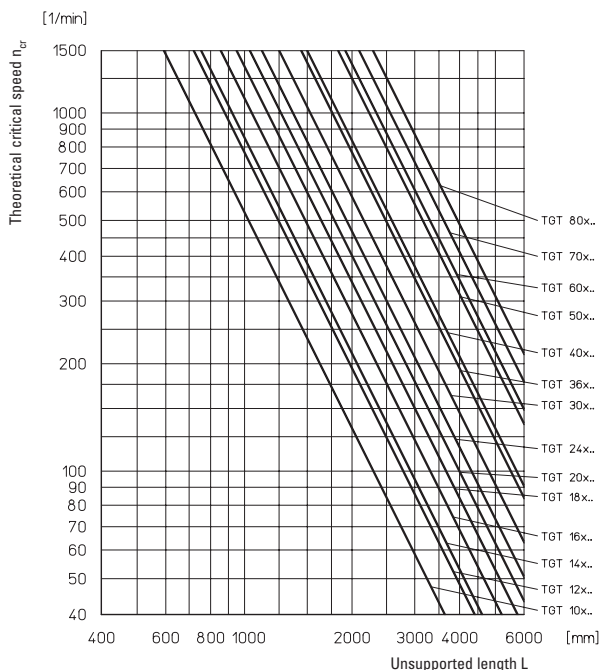


The operating speed may not be more than 80 % of the maximum speed

Theoretical critical speed n_{cr}

Bearing types

Typical values for the correction factor f_{cr} corresponding to the classical installation situations for standard shaft bearings.



Calculation

Critical buckling force of trapezoidal thread screws

There is a risk of slender components such as shafts buckling to one side under axial compressive loading.

The permissible axial force according to Euler can be determined with the procedure described below. The safety factors appropriate to the system shall be taken into consideration prior to the specification of the permissible compressive force.

Maximum permissible axial force

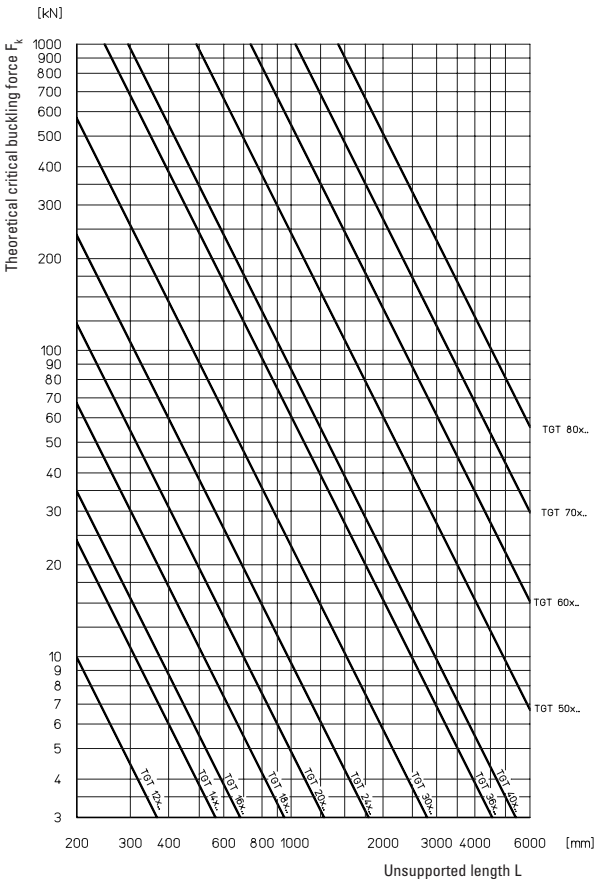
$$(XIII) \quad F_p = 0,8 \cdot F_c \cdot f_c$$

F_p Maximum permissible axial force [kN]
 F_c Theoretical critical buckling force [kN], → see graph
 f_c Correction factor taking into consideration the type of shaft bearing → see table



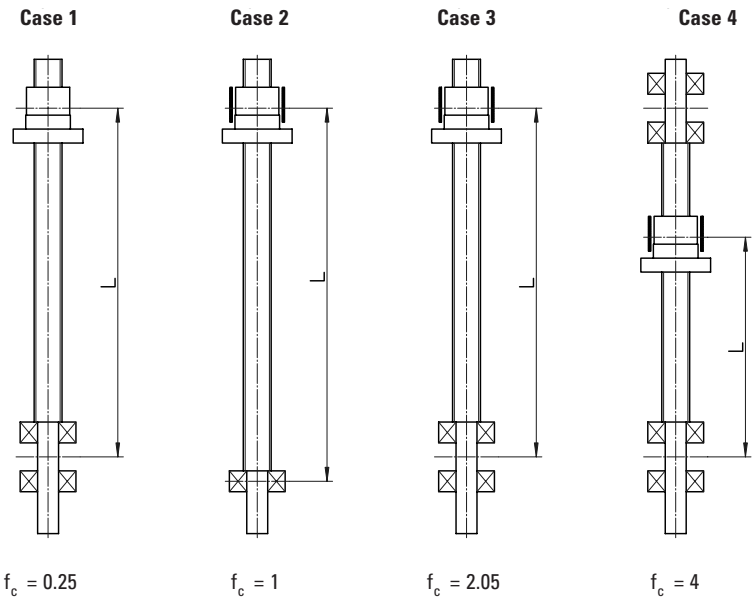
The operating force may not be more than 80 % of the maximum permissible axial force

Theoretical critical buckling force F_c



Bearing types

Typical values for the correction factor f_c corresponding to the classical installation situations for standard shaft bearings.



Calculation

Shaft sag as a consequence of its own weight

The dead weight of the unsupported shaft leads to sag, even in the case of properly installed lead screws, in which the forces acting are absorbed by external guides. The formula given below allows determination of the shaft's maximum sag.

Maximum shaft sag

$$(XIV) \quad f_{\max} = f_B \cdot 0,061 \cdot \frac{w_{TGS} \cdot L_{TGS}^4}{I_Y}$$

f_B Correction factor taking into consideration the type of shaft bearing
→ see table

I_Y Geometrical moment of inertia [cm⁴]

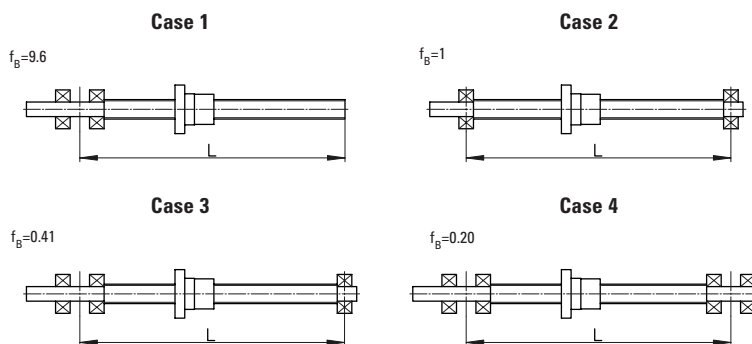
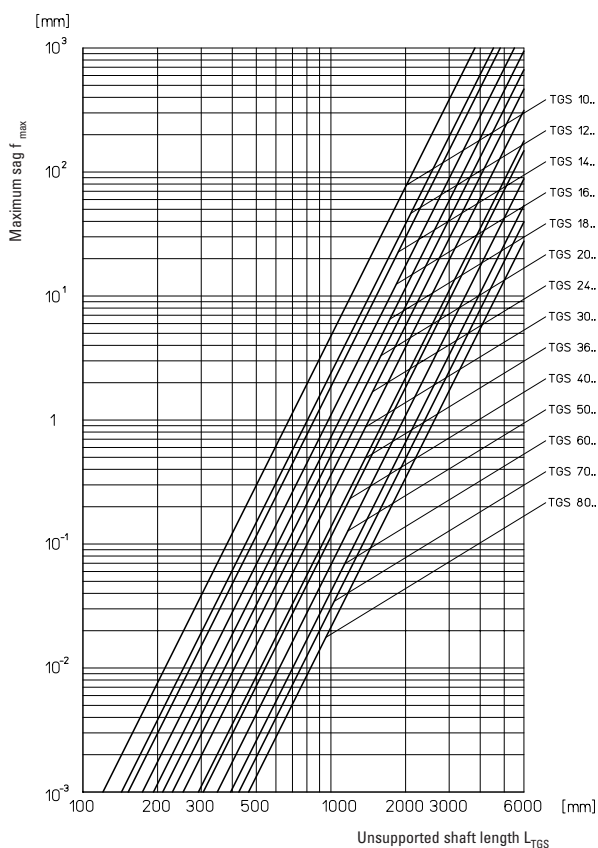
L_{TGS} Free, unsupported shaft length [m]

w_{TGS} Distributed load [kg/m]

Theoretical maximum sag

Bearing types

Typical values for the correction factor f_B corresponding to the classical installation situations for standard shaft bearings.



Calculation

Example calculation of trapezoidal screw

Given: Trapezoidal thread lead screw
 RPTS Tr 24x5 shaft
 Length L = 1500 mm
 Bearing journal case 2
 Operating speed: $n_{\max} = 500$ [rpm]



Sought: Is the operating speed non-critical?
 How great is the permissible axial force?
 How great is the maximum sag?



Maximum permissible shaft speed n_{zul}

from (XII) $n_p = 0,8 \cdot n_{cr} \cdot f_{cr} = 0,8 \cdot 830 \text{ 1/min} \cdot 1 = 664 \text{ 1/min}$

Theoretical critical speed $n_{cr} = 830$ rpm
 → Theoretical critical speed graph

from (XIII) $F_p = 0,8 \cdot F_c \cdot f_c = 0,8 \cdot 4,2 \text{ kN} \cdot 1 = 3,36 \text{ kN}$

Theoretical critical buckling force $F_c = 4.2$ kN
 → from Theoretical critical buckling force graph

from (XIV) $f_{\max} = f_B \cdot 0,061 \cdot \frac{W_{TGS} \cdot L_{TGS}^4}{I_Y} = 1 \cdot 0,061 \cdot \frac{2,85 \text{ kg/m} \cdot (1,5 \text{ m})^4}{0,460 \text{ cm}^4}$
 $f_{\max} = 1,91 \text{ mm}$

Distributed load $W_{TGS} = 2.85$ kg/m
 Geometrical moment of inertia $I_Y = 0.460$ cm⁴
 → from table on page 119

Result:



The lead screw selected is non-critical at $n_{\max} = 500$ rpm.
 It can be loaded with a maximum axial load of 3.36 kN and,
 mounted horizontally, will suffer a maximum sag of 1,91 mm.
(Note pressure per unit area and pv factor)

Calculation

Input torque and input power required

The input torque required for a trapezoidal screw is a result of the acting axial load, the thread pitch and the efficiency of the lead screw and its bearings. The acceleration torque must be checked if acceleration times are short and speeds are high.

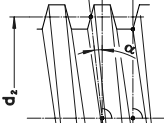
As a matter of principle, it must be noted that a breakaway torque must be overcome when a trapezoidal thread lead screw starts to move.

Input torque required

$$(XV) \quad M_d = \frac{F_{ax} \cdot P}{2000 \cdot \pi \cdot \eta_A} + M_{rot}$$

F_{ax} Total axial load acting [N]
 P Thread pitch [mm]
 η_A Efficiency of total motion system
 $= \eta_{TGT} \cdot \eta_{Fixed \ bearing} \cdot \eta_{Loose \ bearing}$
 $\eta_{TGT} (\mu = 0.1) \rightarrow$ Table page 119
 $\eta_{Fixed \ bearing} = 0.9 \dots 0.95$
 $\eta_{Loose \ bearing} = 0.95$
 M_d Input torque required [Nm]
 M_{rot} Rotary moment of acceleration [Nm]
 $= J_{rot} \cdot \alpha_0$
 $= 7,7 \cdot d^4 \cdot L \cdot 10^{-13} \cdot \alpha_0$
 J_{rot} Rotary moment of inertia [kgm²]
 d Shaft nominal diameter [mm]
 L Shaft length [mm]
 α_0 Angular acceleration [1/s²]

Efficiency η for friction factors other than $\mu = 0.1$

$$(XVI) \quad \eta = \frac{\tan \alpha}{\tan(\alpha + \rho')}$$


η Efficiency of the conversion of a rotary motion into a axial motion
 α Pitch angle of the thread [°] \rightarrow Table page 119 or generally:
 $\tan \alpha = \frac{P}{d_2 \cdot \pi}$
 where P Thread pitch [mm]
 d_2 Pitch diameter [mm]
 ρ' Thread angle of friction [°]
 $\tan \rho' = \mu \cdot 1.07$ for ISO trapezoidal thread
 μ Coefficient of friction

	μ starting up ($= \mu_0$)		μ in motion	
	dry	lubricated	dry	lubricated
Metal nuts	≈ 0.3	≈ 0.1	≈ 0.1	≈ 0.04
Plastic nuts	≈ 0.1	≈ 0.04	≈ 0.1	≈ 0.03

Input power

$$(XVII) \quad P_a = \frac{M_d \cdot n}{9550}$$

M_d Input torque required [Nm] \rightarrow from (XV)
 n Shaft speed [rpm]
 P_a Input power required [kW]

Calculation

Torque as a consequence of an axial load

Trapezoidal lead screws, the pitch angle α of which is greater than the friction angle ρ' are considered non-self locking. This means that an axial force applied generates a resulting torque on the shaft. The efficiency η' for the conversion of an axial motion into a rotary motion is less than that for the conversion of a rotary motion into an axial motion.

Holding torque required

$$(XVIII) \quad M_d' = \frac{F_{ax} \cdot P \cdot \eta'}{2000 \cdot \pi} + M_{rot}$$

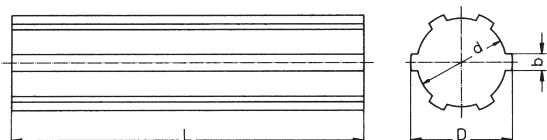
F_{ax}	Total axial load acting [N]
P	Thread pitch [mm]
η'	Efficiency of the conversion of an axial motion into a rotary motion
	$= \frac{\tan(\alpha - \rho')}{\tan \alpha}$
	$= 0,7 \cdot \eta$

The influence of the efficiency of the bearings can be ignored.

M_d'	Holding torque required [Nm]
M_{rot}	Rotary moment of acceleration [Nm]
	$= J_{rot} \cdot \alpha_0$
	$= 7,7 \cdot d^4 \cdot L \cdot 10^{-13}$
	J_{rot} Rotary moment of inertia [kgm ²]
	d Shaft nominal diameter [mm]
	L Shaft length [mm]
	α_0 Angular acceleration [1/s ²]

KW splined shafts

Material: CK 45.
Based on DIN 5463.

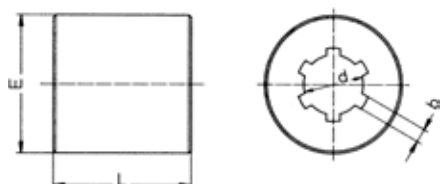


Designation	Dimensions [mm]			Weight [kg/m]
	$\varnothing D$ -0.07 -0.27	$\varnothing d$ +0.0 -0.08	b +0.0 -0.08	
KW 16	20	16	4	1.90
KW 21	25	21	5	2.10
KW 26	32	26	6	5.00
KW 42	48	42	8	12.30
KW 46	54	46	9	15.30

Straightness: 0.5 – 0.6 mm/300 mm
Straightness: 0.1 mm/300 mm on request

SR sliding sleeve blank

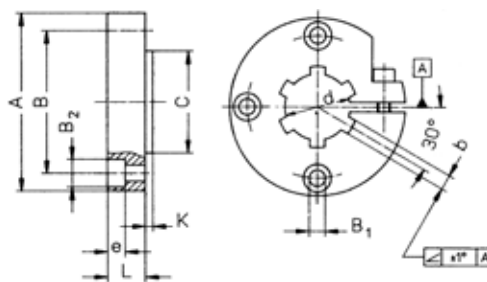
Material: 9 Smn 28 K.
Based on DIN 5463.



Designation	Dimensions [mm]				Weight [kg/each]
	$\varnothing d$ G_6	b F_9	$\varnothing E$	L	
SR 16	16	4	40	35	0.25
SR 21	21	5	45	43	0.40
SR 26	26	6	60	59	1.00
SR 42	42	8	90	71	2.60
SR 46	46	9	90	95	3.25

EK complete clamping ring

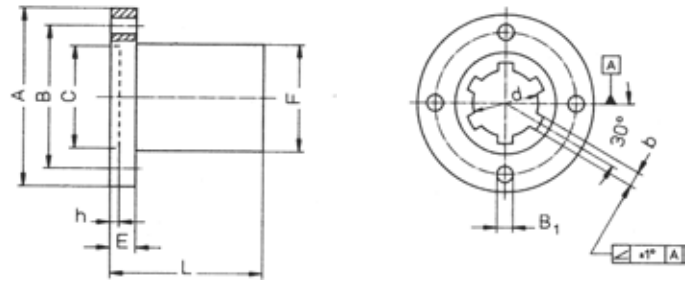
Material: C 45, surface burnished. Drillings match ES.
Based on DIN 5463.



Designation	Number of grooves	Dimensions [mm]										Weight [kg/each]
		$\varnothing d$ G_6	b F_9	$\varnothing A$	$\varnothing B$	$\varnothing B_1$	$\varnothing B_2$	e	$\varnothing C$ f_7	K	L	
EK 16	6	16	4	52	38	5.3	10	6	26	2	14	0.20
EK 21	6	21	5	62	48	6.4	11	7	35	3	14	0.25
EK 26	6	26	6	70	56	6.4	11	7	40	3	15	0.25
EK 42	8	42	8	95	75	10.5	18	11	60	3	22	0.85
EK 46	8	46	9	99	80	10.5	18	11	65	3	24	0.95

ES complete sliding sleeve

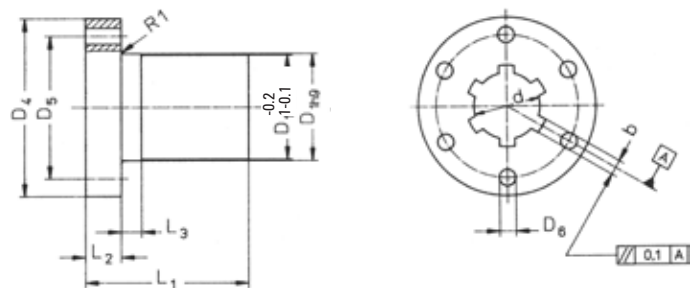
Material: C 45, Grooves do not match bores.
Based on DIN 5463.



Designation	Number of grooves	Dimensions [mm]										Weight [kg/each]
		$\varnothing d$ G ₆	b F ₉	$\varnothing A$	$\varnothing B$	$\varnothing B_1$	$\varnothing C$ H ₇	h	$\varnothing F$ h ₇	L	E	
ES 16	6	16	4	52	38	5.3	26	3	28	35	9	0.20
ES 21	6	21	5	62	48	6.4	35	3.5	34	50	10	0.30
ES 26	6	26	6	70	56	6.4	40	3.5	42	60	10	0.50
ES 42	8	42	8	95	75	10.5	60	4	60	90	16	1.30
ES 46	8	46	9	99	80	10.5	65	4	65	100	16	1.50

ESS complete sliding sleeve made from special bronze

Material: High-quality bronze GBZ 12, Grooves do not match bores.
Based on DIN 5463.



Designation	Number of grooves	Dimensions [mm]									Weight [kg/each]
		$\varnothing d$ G ₆	b F ₉	D ₁	D ₄	D ₅	D ₆	L ₁	L ₂	L ₃	
ESS 16	6	16	4	28	48	38	6	44	12	8	0.25
ESS 21	6	21	5	32	55	45	7	44	12	8	0.30
ESS 26	6	26	6	38	62	50	7	46	14	8	0.40
ESS 42	8	42	8	63	95	78	9	73	16	10	1.45
ESS 46	8	46	9	72	110	90	11	97	18	10	2.25

Installation & Maintenance

TGT trapezoidal thread screws

Installation

Trapezoidal thread screws must be carefully aligned on installation – if the appropriate measuring equipment is not available, the lead screw shall be moved once by hand over the entire length before the input unit is fitted. Uneven force requirements and/or running traces on the external diameter of the shaft here indicate errors in the alignment between shaft axis and guide. In this case, first slacken off the relevant mounting screws and then operate the lead screw once again by hand. If the force requirement is now uniform, the corresponding elements must be aligned, otherwise the alignment error must be determined by slackening further mounting screws.

Caps

Trapezoidal thread screws are inherently less sensitive to contamination than recirculating ball screws, especially at low speeds (e.g. manual operation).

Motion drives, in particular those using plastic nuts, however, also require protective measures similar to those for recirculating ball screws.

Lubrication

Oil lubrication

Is only used on trapezoidal thread screws in special cases.

Grease lubrication

This is the usual lubrication for trapezoidal thread screws. The lubrication intervals depend on the operating conditions; it is recommended that the shaft is cleaned before being greased, especially if high performance lubricating systems are being used.

Grease grades: roller bearing greases without a solid lubricant constituent.

Operating temperature

Depends on the nature of the nut used, the lubricating conditions and the requirements made. Please consult us for operation at temperatures in excess of 100°C (in excess of 70°C for plastic nuts).

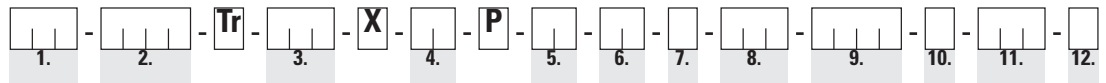
Wear

May be tested by hand; the nut must be replaced if the axial play of a single thread lead screw is greater than $\frac{1}{4}$ of the lead.

Order Code – Trapezoidal Screws, Helical Spring Cover, Splined Shafts

The structure of the order code

Trapezoidal thread screws



1. Product

TGS = trapezoidal-thread screw shaft
TGM = Trapezoidal thread nut

2. Type

Shaft RPTS
Nut: LKM, EKM, KSM, SKM, LRM, EFM

3. Thread nominal diameter [mm]

4. Thread lead [mm]

5. Thread pitch [mm]

Only in the case of multiple-start threads: The distance between two consecutive threads in the axial direction = pitch/number of starts

6. Thread direction

RH = right hand thread
LH = left hand thread

7. Shaft end 1

Standard end form D, F, H, J, L, S, T, W, Z
K = in accordance with attached customer drawing
X = separating only

8. Reference to end length 1

End length for version K [mm]

9. Overall length of TGS [mm]

10. Shaft end 2

Standard end form D, F, H, J, L, S, T, W, Z
K = in accordance with attached customer drawing
X = separating only

11. Reference to end length 2

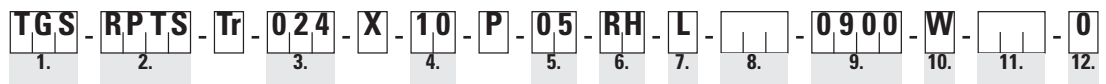
End length for version K [mm]

12. Special designs or with accessories

0 = no
1 = yes

Ordering example:

1 Trapezoidal-thread lead screw with shaft ends



1. Product

TGS = trapezoidal-thread screw shaft

2. Type

Shaft RPTS

3. Thread nominal diameter [mm]

24

4. Thread lead [mm]

10

5. Thread pitch [mm]

5

6. Thread direction

RH = right hand thread

7. Shaft end 1

Standard end form L

9. Overall length of TGS [mm]

900

10. Shaft end 2

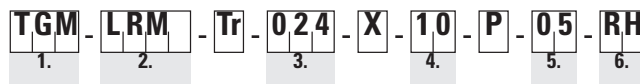
Standard end form W

12. Special designs or with accessories

0 = no

Ordering example:

1 Trapezoidal thread nut



1. Product

TGM = Trapezoidal thread nut

2. Type

Nut: LRM

3. Thread nominal diameter [mm]

24

4. Thread lead [mm]

10

5. Thread pitch [mm]

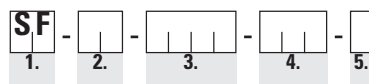
5

6. Thread direction

RH = right hand thread

The structure of the order code

Helical spring cover



1. Product

SF = Helical spring cover

2. Minimum diameter D8 [mm]

3. Overall length [mm]

V = vertical

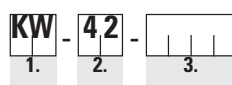
H = horizontal

4. Minimum length L8 [mm]

5. Mounting position

The structure of the order code

splined shaft



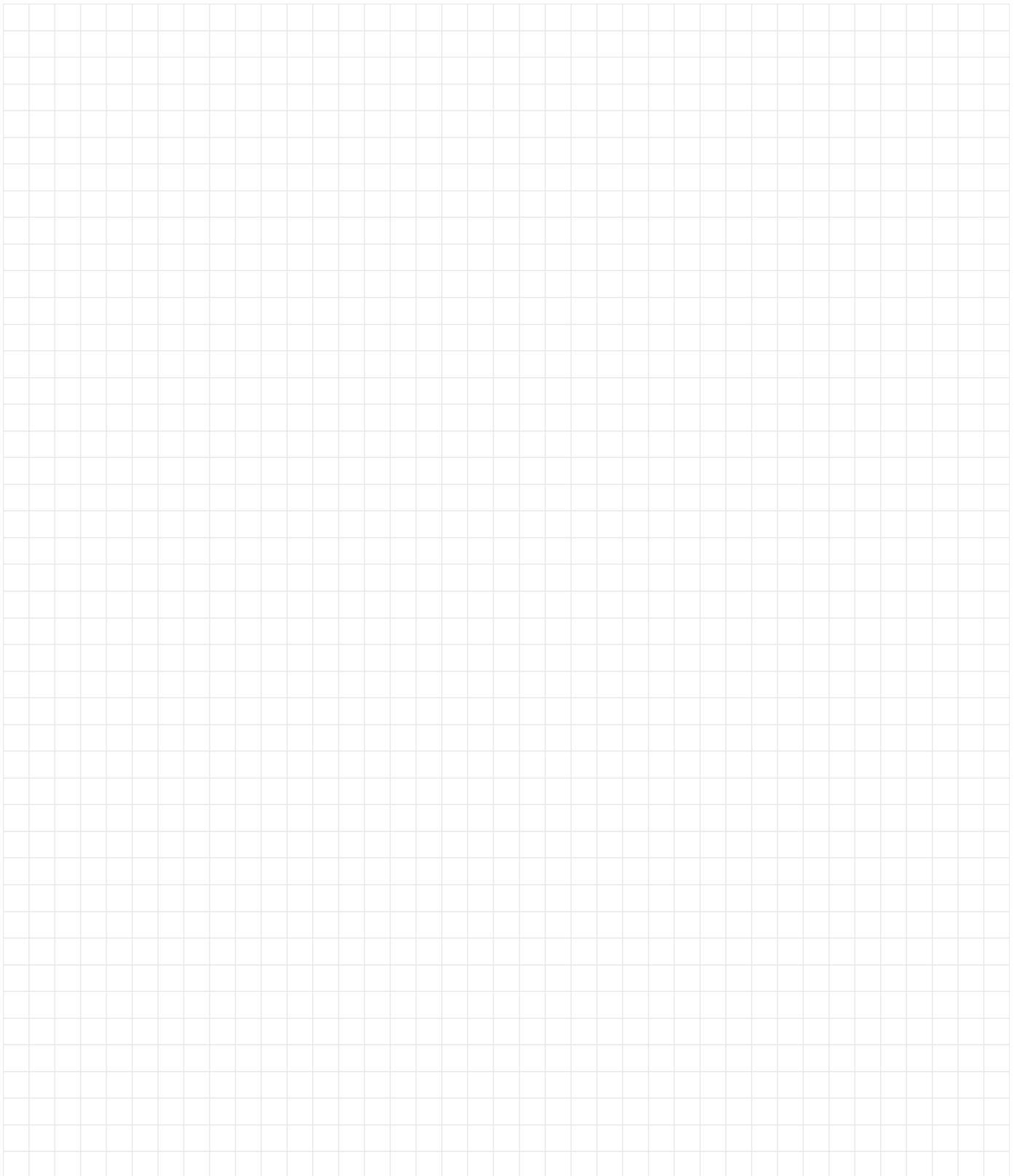
1. Product

KW = splined shaft

2. Size

3. Length [mm]

Notes



Lead Screws

Smooth and cost-effective solution for precision applications

Thomson precision lead screws are an outstanding and economical solution for your linear motion requirements. Thomson has been active for more than 40 years developing and producing the highest quality lead screws in this industrial sector. Our precision rolling process guarantees positioning to 0.075 mm/300 mm, and our coating method using PTFE creates systems with a lower drag torque and a higher service life.

Thomson has a wide range of standard plastic nut systems available, in the form of anti-backlash or standard Supernuts®. A composite material of acetal and PTFE is used in all these standard plastic nut systems, offering an outstanding lubricant capability with or without supplementary lubrication, at the same time achieving a low rate of wear. As a result of our unique patented backlash-free method design, Thomson is able to offer systems with high axial stiffness, zero backlash and a low drag torque, reducing the demands on the motor. This creates more cost-effective products with a higher performance and longer service life. The two designs automatically adapt to the wear conditions, so that zero backlash is guaranteed for the life of the nut.

Thomson also offers a design service for your application requirements. This means that lead screws can be manufactured to meet your exact specifications. Get in touch with Thomson today and discuss your application with our experienced product specialists.

Product considerations

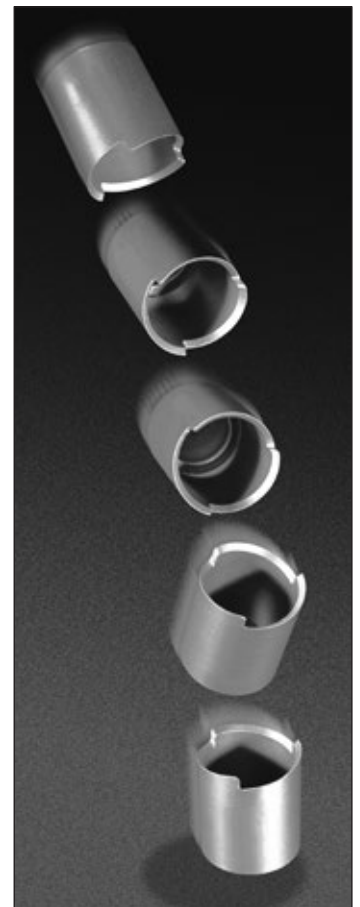
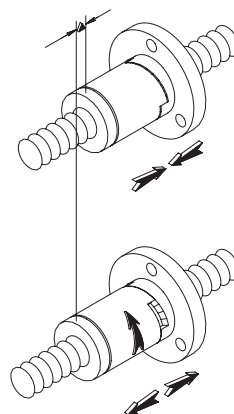
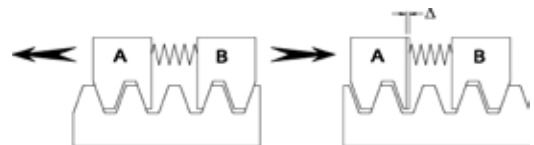
Reducing backlash is of utmost importance in ensuring precise positioning. Several types of preload variants, which all use a resilient preload are available on the market. As these mechanisms are only limited in their stiffness, a high preload is necessary to retain the position. This leads to a high drag torque, shorter service life and reduced performance. The costs for the system increase, and a larger motor is required.

The Thomson solution

With the patented XC series of nuts with ActiveCAM, optimum axial stiffness with minimum drag torque at the same time is achieved. The use of an extremely stiff stainless steel sleeve for the preload leads to an incomparable axial stiffness. The axial backlash is rectified without high preloading so the lowest possible drag torque is achieved.

Readjusting the preloading following wear

The wear occurring over time is automatically compensated for by the unique ActiveCAM mechanism, without sacrificing stiffness and positioning accuracy, or influencing the drag torque. US Patent #5839321 and one or more foreign equivalents.

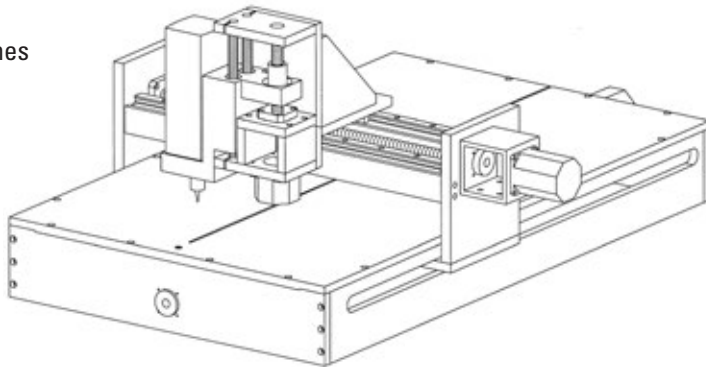


Quality Lead Screws

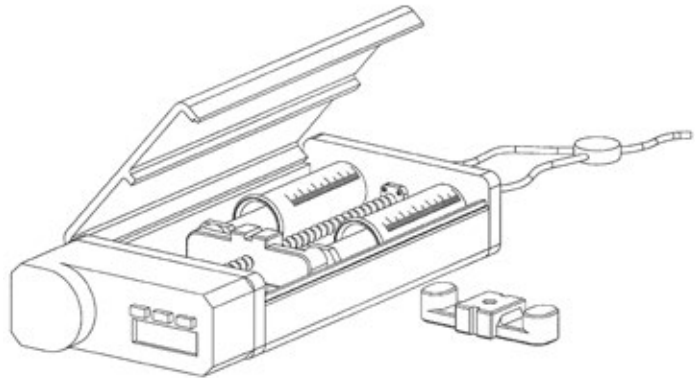
- ActiveCAM technology
- High-quality plastic nuts
- High precision

Lead screw applications

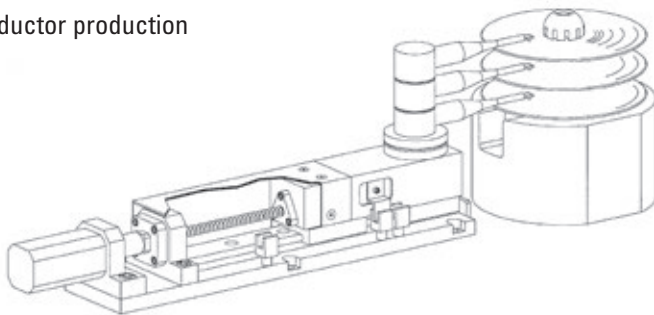
Engraving machines



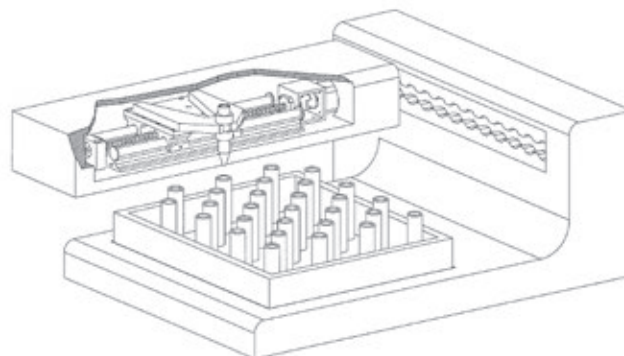
Medical equipment



Semiconductor production



Laboratory equipment



Precision Lead Screws And Supernuts®

Features and benefits

Low costs

Less expensive typically than ball screw solutions.

Variety

Huge selection of leads and diameters.

Lubrication

Internally lubricated plastic nuts may be used without supplementary lubrication. We nevertheless recommend the use of TriGEL grease or a dry lubricant to extend the service life. See page 152.

Vibration and noise generation

No vibration from ball recirculation and frequently less audible noise generation in comparison to recirculating ball screws.

Aspects of the design

Load

Supernuts are a cost-effective solution for medium to light loading. In vertical applications, the Anti-Backlash Supernuts should be mounted with the thread/flange on the underside.

Unilateral load

Unilateral loads that may exert a torque on the nut will lead to premature failure.

Critical speed

See critical speed graph on page 145.

Buckling load

See buckling load graph on page 146.

Self-locking

Lead screws can be self-locking at small leads. For the best possible operating conditions, the shaft pitch should always be greater than 1/3 of the nominal diameter.

Customized solution

Ability to adapt the components to your application.

Corrosion resistant*

Stainless steel shafts, Acetal nuts.

Environment

Less susceptible to contamination by particles than recirculating ball screws.

Low weight

There is less mass to move.

Temperature

The heat generated by the environment and friction is the principal cause for premature failure of the plastic nuts. Note the limit values for temperature listed below and discuss your application with regard to continuous operation, high loading and high-speed applications with our product specialists. Thomson recommends bronze nuts for high-temperature environments. We will also be pleased to advise you on the selection of a high-temperature plastic for a custom application.

Efficiency

The following is true except for large leads: the greater the lead, the better the efficiency. Even though acetal in combination with PTFE has excellent lubricating properties, recirculating ball screws have significantly greater efficiency than lead screws. See page 151 for the actual efficiency.

Length limit values

Shaft diameter	maximum length
10 mm	1200 mm
12–16 mm	1800 mm
>16 mm	3600 mm

Pitch precision

Standard quality (SRA)	250 µm/300 mm
Precision quality (SPR)	75 µm/300 mm

Mounting		Shafts		Nuts**		
Maximum temperature	Coefficient of friction	Material	Material	Tensile strength	Water absorption (24 hour %)	Coefficient of thermal expansion
82 °C	0.08 - 0.14	Stainless steel*	Acetal with PTFE	55 N/mm ²	0.15	9.7 x 10 ⁻⁵ 1/°C

* 1.4301 (AISI 304) and 1.4305 (AISI 303)

** Other materials available on a custom basis.

Useful formulas for lead screws

TORQUE, ROTARY LINEAR

Drive on the shaft to move the nut, or drive on the nut to move the shaft.

$$\text{Torque} = \frac{\text{load [N]} \times \text{lead [mm]}}{2\pi \times \text{efficiency}}$$

[Nmm]

TORQUE, LINEAR ROTARY

Load on the nut to rotate the shaft.

$$\text{Torque} = \frac{\text{load} \times \text{lead} \times \text{efficiency}}{2\pi}$$

EFFICIENCY

$$\% \text{ efficiency} = \frac{\tan(\text{pitch angle})}{\tan(\text{pitch angle} + \text{"arctan"} f)} \times 100$$

f = coefficient of friction

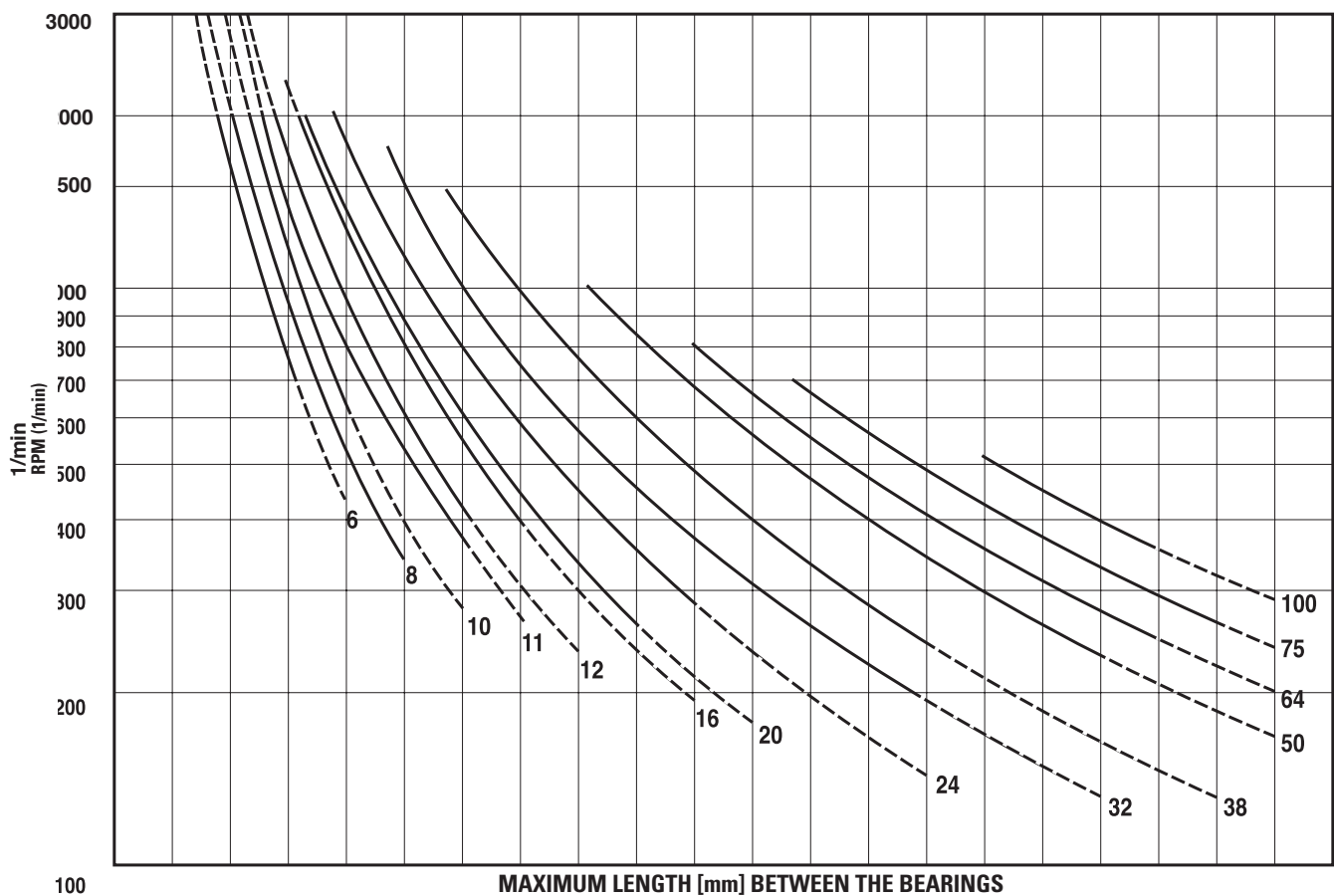
As a rule, the following is true: Systems with an efficiency of 50% or greater are not self-locking. For efficiency see page 151. The efficiencies listed in the catalog are calculated for a coefficient of friction of 0.1.

Graph Of Critical Rotational Speed Limit Values

Every lead screw has a rotational speed limit. This is the point at which the rotational speed sets up heavy vibration. This critical point changes depending on the end bearing supports used and the bearing combination.

To use this chart, you must determine the speed of rotation required and the maximum length between the bearing supports. Then select one of the four bearing combinations shown below. The critical speed limit can be found by locating the point at which the speed of rotation (horizontal lines) intersects with the unsupported shaft length (vertical lines) as modified by the bearing combination listed below. It is recommended that the lead screws be operated at no more than 80% of the critical speed limit value.

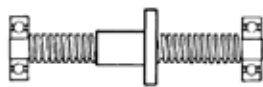
Warning: The graphs for the shaft diameters illustrated are based on the smallest minor diameter of a standard shaft within the nominal size range and are cut off at the maximum speed of rotation for the nut. This value for the rotational speed **MAY NOT BE EXCEEDED**, whatever the shaft length.



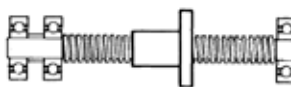
	150	300	460	610	760	910	1070	1220	1370	1520	1680	1830	1980	2130	2290	2440	2590	2740	3050	3200
Bearing scenario 1	150	300	460	610	760	910	1070	1220	1370	1520	1680	1830	1980	2130	2290	2440	2590	2740	3050	3200
Bearing scenario 2	250	510	760	1020	1270	1520	1780	2030	2290	2540	2790	3050	3300	3560	3810	4060	4320	4570	4830	5080
Bearing scenario 3	300	610	910	1220	1550	1850	2160	2460	2770	3070	3380	3910	4010	4320	4620	4930	5230	5540	5840	6150
Bearing scenario 4	380	760	1140	1520	1910	2290	2670	3020	3400	3780	4170	4550	4930	5310	5690	6070	6450	6830	7210	7570



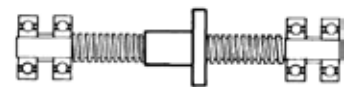
Bearing scenario 1



Bearing scenario 2



Bearing scenario 3

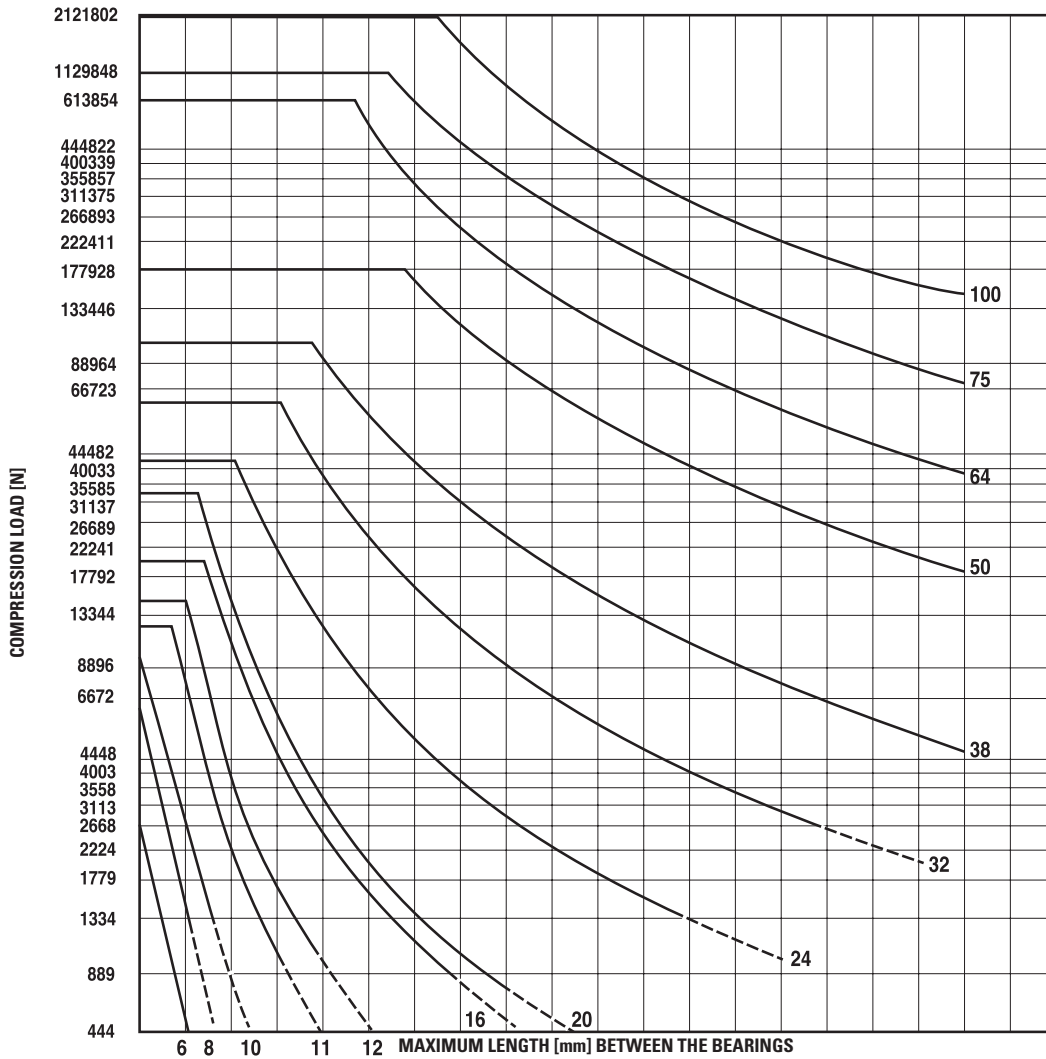


Bearing scenario 4

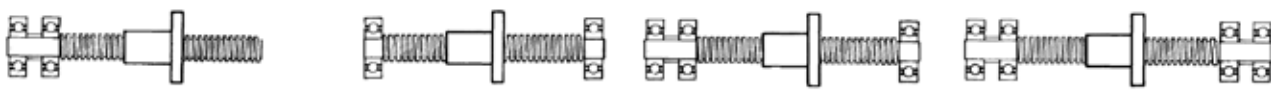
Graph Of Critical Buckling Force

This graph is used to determine the maximum compression loading on the shafts. Normally, shafts operated under tensile stress are capable of withstanding a loading up to the design load capacity of the nut. The bearing combinations influence the load capacity of the shaft. The four standard variants are listed below with the corresponding bearing scenarios. To determine the safe minimum diameter of the shaft, you must determine the point at which the graphs for the compressive load (horizontal) and the shaft length (vertical) intersect. Consult the manufacturer if the loading values lie in the area of the dotted lines.

Warning: The load capacity of the nuts MAY NOT BE EXCEEDED. The curves for the shaft diameter are based on the smallest minor diameter of a standard shaft within the nominal size range.



Bearing scenario 1	130	250	380	510	640	760	890	1020	1140	1270	1400	1520	1650	1780	1910	2030	2160	2290	2410
Bearing scenario 2	250	510	760	1020	1270	1520	1780	2030	2290	2540	2790	3050	3300	3560	3810	4060	4320	4570	4830
Bearing scenario 3	360	710	1070	1450	1800	2160	2510	2870	3230	3580	3960	4320	4670	5030	5380	5740	6100	6480	6860
Bearing scenario 4	510	1020	1520	2030	2540	3050	3560	4060	4570	5080	5590	6100	6600	7110	7620	8130	8640	9140	9650



Bearing scenario 1

Bearing scenario 2

Bearing scenario 3

Bearing scenario 4



Compression load (buckling load)



Tensile load

Lead Screw Product Features

Series	Thomson precision lead screw
Lead precision	Standard - 250 µm/300 mm Precision - 75 µm/300 mm
Diameter	4 to 24 mm
Lead	1 to 50 mm
Backlash	0.02 to 0.25 mm (standard nut) backlash-free version available
Dynamic load	up to 1550 N
Maximum static load	up to 6675 N

Lead Screw Product Availability

Metric

		Lead [mm]																
		1	2	3	4	5	6	8	10	12	15	16	18	20	25	35	45	50
Diameter [mm]	4	●			●			●										
	6	●					●			●			●					
	10		●○	●	●	●	●		●	●				●				
	12			●	●	●	●		●		●				●		●	
	16				●○	●		●				●			●	●		
	20				●○			●		●		●		●			●	●
	24					●○												

● = size with right hand thread in stock ○ = size with left hand thread in stock

Inch

		Lead [inches]																		
		0.031	0.050	0.063	0.083	0.100	0.125	0.167	0.200	0.250	0.300	0.375	0.400	0.500	0.750	0.800	1.000	1.200	1.500	2.000
Diameter [inches]	3/16		●			●	●		●			●	●	●						
	1/4	●	●	●		●			●	●				●	●					
	5/16				●			●		●				●			●			
	3/8		●	●	●	●	●	●	●	●	●	●		●	●		●	●		
	7/16					●				●				●						
	1/2			●		●			●	●				●		●	●		●	
	5/8					●	●		●	●				●				●		
	3/4					●	●	●	●					●			●		●	●
	1					●	●		●	●				●			●			

Note: Availability charts do not include V-thread screw leads.

Order Code – Lead Screws

Thomson designs lead screws for optimum performance. To ensure correct operation, it is recommended that our nuts and shafts are used only with the appropriate matching Thomson products. This is of particular importance in the case of our own thread dimensions. Select a shaft size complying with DIN from page 151 if interchangeability is a requirements criterion.

The use of a lubricant is recommended for the operation of a lead screw with a plastic nut. This increases the service life of the unit and the permissible operating load.

Note: The load indications in the catalog are based on the use of a lubricant.

See pages 152 and 153 for lubrication options.

Nut part number

(see pages 149 and 150)

--	--	--	--	--

Prefix for nut style number
(letters only -
2 - 4 characters)

**Shaft size from table on
page 151.**
(No statement of precision
prefix)

Example

X	C	B	10x2M
---	---	---	-------

Note: Make sure the nut you selected is offered for use with the shaft diameter selected. See "Shaft series" on pages 149 and 150 to verify.

Shaft part numbers (see page 151)

				-
--	--	--	--	---

Precision prefix
(3 letters for precision or
standard accuracy)

Shaft size
(indication of
diameter
and lead)

Shaft length
(please state units -
preferably mm)

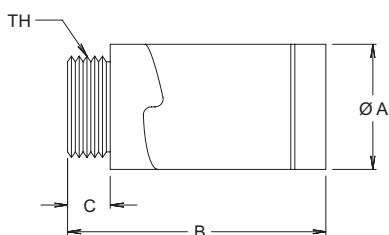
Example

S	P	T	10x2M	150 mm
---	---	---	-------	--------

The shaft and nut are designed to work together properly where these two components have the same suffix for the shaft size (see examples listed above).

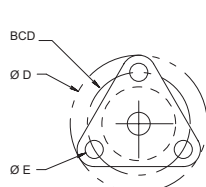


XC Series – The Leading Performer

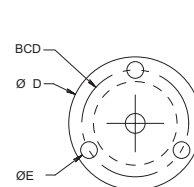
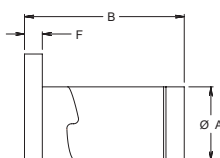


Threaded nut style

Model no.	Shaft diameter [mm]	May also be used with inch thread	Dimensions				Permissible dynamic load [N]	Drag torque	
			A [mm]	B [mm] max	C [mm]	TH [mm]		min. [Nmm]	max. [Nmm]
XCB3700	10	5/16, 3/8	20.8	47.6	6.4	M16 x 1.5	100	7	21
XCB5000	12	7/16, 1/2	28.4	57.2	9.5	M25 x 1.5	550	7	21
XCB6200	16	5/8	35.6	66.0	12.7	M30 x 1.5	775	14	42
XCB7500	20	3/4	41.4	73.7	12.7	M35 x 1.5	1100	21	71
XCB10000	24	1	47.8	76.2	15.2	M40 x 1.5	1550	35	71



XCMF1800, XCF3700

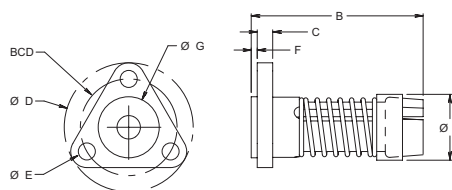


XCF5000, XCF6200

Flanged nut style

Model no.	Shaft diameter [mm]	May also be used with inch thread	Dimensions						Permissible dynamic load [N]	Drag torque	
			A [mm]	B [mm] max	D [mm]	E [mm]	F [mm]	BCD [mm]		min. [Nmm]	max. [Nmm]
XCMF1800	6	3/16, 1/4	12.7	22.9	25.4	3.6	4.6	19.1	22	0	7
XCF3700	10	5/16, 3/8	20.8	47.6	38.1	5.1	5.1	28.6	100	7	21
XCF5000	12	7/16, 1/2	28.4	57.2	44.5	5.6	7.6	35.5	550	7	21
XCF6200	16	5/8	35.6	66.0	54.1	5.6	12.7	42.9	775	14	42

AFT3700 – The OEM Solution

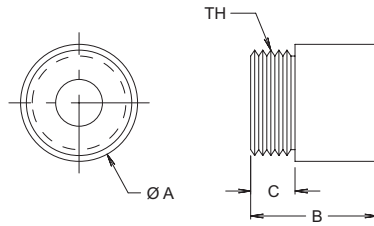
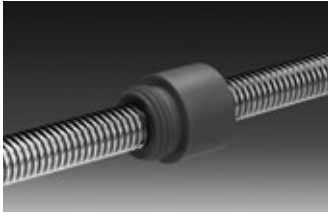


Flanged nut style

Model no.	Shaft diameter [mm]	May also be used with inch thread	Dimensions								Permissible dynamic load [N]	Drag torque	
			A [mm]	B [mm]	C [mm]	D [mm]	E [mm]	F [mm]	G [mm]	BCD [mm]		min. [Nmm]	max. [Nmm]
AFT3700	10	3/8, 7/16	19.6	50.8	5.1	38.1	5.1	1.5	18.0	28.6	45	14	35

See page 148 for notes on ordering

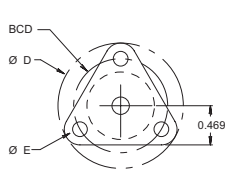
SB Series – Compact Screw Nuts



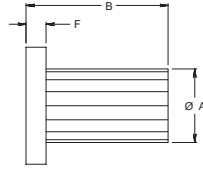
Threaded nut style

Model no.	Shaft diameter [mm]	May also be used with inch thread	Dimensions				Permissible dynamic load [N]	Maximum static load [N]	Drag torque
			A [mm]	B [mm]	C [mm]	TH [mm]			
SB3700	10	5/16, 3/8	19.1	19.1	6.4	M16 x 1.5	310	1550	No preloading
SB5000	12, 16	7/16, 1/2	25.4	25.4	9.5	M22 x 1.5	445	2225	
SB1000	20, 24	3/4, 1	38.1	38.1	12.7	M35 x 1.5	1335	6675	

MTS And RSF Series – Simple To Fit Flanged Nut



RSF1800, MTS3700



MTS5000, MTS6200, MTS7500

Flanged nut style

Model no.	Shaft diameter [mm]	May also be used with inch thread	Dimensions						Permissible dynamic load [N]	Drag torque
			A [mm]	B [mm]	D [mm]	E [mm]	F [mm]	BCD [mm]		
RSF1800	4	3/16	8.0	9.5	19.1	3.2	3.2	12.7	45	No preloading
MTS2500	6	1/4	12.7	19.1	25.4	3.6	3.8	19.1	110	
MTS3700	10	3/8, 7/16	18.0	38.1	38.1	5.1	5.1	28.6	325	
MTS5000	12	1/2	19.1	38.1	38.1	5.1	6.4	28.6	550	
MTS6200	16	5/8	22.4	41.4	38.1	5.1	7.6	30.2	775	
MTS7500	20	3/4	28.6	44.5	50.8	5.1	7.6	36.5	1200	

See page 148 for notes on ordering

Note: The permissible loading describes the maximum operating load with lubrication at room temperature, 50 % duty time and 500 rpm. Increasing the speed of rotation will lead to a reduction in the maximum operating load. At 1000 rpm, the operating load is approximately 50 % of the permissible load.

Metric Stainless Steel Precision Lead Screw Shafts

Rolled precision trapezoidal thread lead screws have a polished finish and thus offer optimum efficiency and low wear. All shafts are made from stainless steel to ensure resistance to corrosion and a smooth finish. SPT and SRT shafts comply with the requirements of DIN 103, while SPR and SRA shafts have improved thread forms for high performance.



Shaft diameter [mm]	Lead [mm]	Part number			Minor diameter [mm]	Efficiency with coefficient of friction of 0.1 (%)
		Prefix for precision accuracy	Prefix for standard accuracy	Size		
4	1	SPR	SRA	4 x 1M	2.7	48
	4	SPR	SRA	4-4 x 1M	2.7	76
	8	-	SRA	8-4 x 1M	2.7	82
6	1	SPR	SRA	6 x 1M	4.6	37
	6	SPR	SRA	4-6 x 1.5M	4.5	69
	12	-	SRA	8-6 x 1.5M	4.5	81
	18	-	SRA	9-6 x 2M	4.5	82
10	2*	SPT	SRT	10 x 2M	7.4	42
	3^	SPT	SRT	10 x 3M	6.4	53
	4	SPT	SRT	2-10 x 2M	7.4	59
	5	SPR	SRA	2-10 x 2.5M	7.1	64
	6	SPR	SRA	4-10 x 1.5M	8.2	66
	10	SPR	SRA	5-10 x 2M	7.5	76
	20	-	SRA	6-10 x 3.3M	8.4	81
12	3*	SPT	SRT	12 x 3M	8.0	48
	4	SPR	SRA	2-12 x 2M	9.2	54
	5^	SPT	SRT	2-12 x 2.5M	8.9	59
	6	SPR	SRA	3-12 x 2M	9.1	63
	10^	SPT	SRT	4-12 x 2.5M	8.9	73
	15	SPR	SRA	6-12 x 2.5M	8.7	78
	25	-	SRA	10-12 x 2.5M	9.2	82
	45	-	SRA	15-12 x 3M	9.6	81
16	4*	SPT	SRT	16 x 4M	11.3	48
	5	SPR	SRA	2-16 x 2.5M	12.2	52
	8	SPR	SRA	4-16 x 2M	13.0	63
	16	SPR	SRA	7-16 x 2.3M	12.6	75
	25	-	SRA	5-16 x 5M	11.5	80
	35	-	SRA	7-16 x 5M	12.2	82
20	4*	SPT	SRT	20 x 4M	15.3	42
	8	SPR	SRA	2-20 x 4M	14.8	59
	12	SPR	SRA	3-20 x 4M	15.0	67
	16	SPR	SRA	4-20 x 4M	15.0	72
	20	-	SRA	5-20 x 4M	15.0	76
	45	-	SRA	9-20 x 5M	15.8	82
	50	-	SRA	10-20 x 5M	16.5	82
24	5*	SPT	SRT	24 x 5M	18.5	42

*complies with the requirements specified in DIN 103 Parts 1 and 2. Tolerance class 7e.

^*complies with the requirements specified in DIN 103 Part 1, not defined in Parts 2 and 3.

See page 144 for maximum available shaft lengths

See page 148 for notes on ordering

Lubrication



Overview

We offer a complete range of lubricants including our greases for clean room and vacuum uses. The TriGel product range has been especially developed to provide a lubrication solution for a wide range of applications in linear motion systems. Select the lubricant suited to your requirements.

This will ensure that you get the best performance from your Thomson products.

Lubrication Selection Table For Trapezoidal Thread Lead Screws

Thomson	TriGel-300S	TriGel-450R	TriGel-600SM	TriGel-1200SC	TriGel-1800RC
Application	Lead screws, Supernuts, plastic nuts	Ball screw linear bearings	Bronze nuts	Lead screws, plastic nuts, clean room, high vacuum	Ball screw linear bearings, bronze nuts, clean room, vacuum
Maximum temperature	200 °C (392 °F)	125 °C (257 °F)	125 °C (257 °F)	250 °C (482 °F)	125 °C (257 °F)
Loaded material	Plastic on plastic or metal	Metal on metal	Metal on metal, bronze on steel	Plastic or metal, combination	Metal on metal
Mechanical load	slight	medium	medium to heavy	slight to medium	medium
Very low torque change in relation to the temperature	yes	—	—	yes	—
Very low starting torque	yes	yes	—	yes	yes
Compatibility with reactive chemicals	not recommended without OEM testing	not recommended without OEM testing	not recommended without OEM testing	possible	not recommended without OEM testing
Compatibility with plastics and elastomers	can lead to swelling of the silicon rubber seal	can lead to swelling of the EPDM seal	can lead to swelling of the EPDM seal	possible	can lead to swelling of the EPDM seal
Clean room use	not recommended	not recommended	not recommended	possible	possible
Use in high vacuum	not recommended	not recommended	not recommended	possible	possible
Vapor pressure (25 °C)	changes with volume	changes with volume	changes with volume	1 x 10 ⁻⁶ Pa	0.5 x 10 ⁻⁶ Pa
Packaging 10 cc syringe 0.45 kg tube	TriGel-300S TriGel-300S-1	7832867/TriGel-450R 7832868/TriGel-450R-1	0.1 kg tube/TriGel-600SM	TriGel-1200SC n.a.	7832869/TriGel-1800RC

* Maximum temperature for continuous exposure. Higher temperatures may be permissible but should be validated in the actual end use by the OEM.
Low temperature limits are -15°C or lower. Further information may be obtained from Thomson.

PTFE Dry Lubricant

Developed for trapezoidal lead screw applications with plastic on metal



A PTFE coating comprises a dry coating, forming a lubricating and barrier layer between the metal substrate and the polymer nut or ball nut. This means that the application of an additional lubricant that must be renewed is unnecessary in many cases.

The coating is very well suited to our XC (SuperNut®) series, comprising plastic nuts and stainless steel lead screws. Service intervals for lubrication are no longer necessary, and the coating does not attract particles of dirt as a lubricant does. Although lower coefficients of friction are possible with a lubricant than with a dry lubricant, lubrication must be maintained to avoid a drop in performance. Coating with PTFE is an attractive and cleaner* alternative to greases and oils.

Typical features

Type:	Connection with solid lubricant
Aim:	Increased lubrication, reduced friction/wear
Appearance:	Black coating
Thickness:	Approximately 13 – 25 µm
Active lubricant:	Polytetrafluorethylene
Coefficient of friction:	0.06 to 0.12
Operating temperature range for the coating:	-250 °C to 290 °C
Acid resistance:	Outstanding
Resistance to alkali:	Very good
Resistance to solvents:	Outstanding

*Some particles are generated by the wear between the nut and the shaft. Over time, the shaft can show signs of a polished finish. This is not necessarily an indication of a malfunction.

Inquiry Form

Contact address

Company:

Address:

Contact: Contact:

Phone: Phone:

Fax: Fax:

e-mail: e-mail:

Recirculating ball screw parameters

Diameter: mm Lead: mm Thread direction: Clockwise Counter-clockwise

Precision: /300 mm Nut design: Backlash-free: Preloaded: Backlash:

Stroke length: mm Track length: mm Total length: mm

Application:

Environment:

Lubrication: Oil Grease

Quantity: Annual requirement: Quantity: Delivery lot:

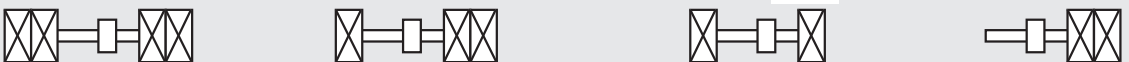
Mounting the ball screw

Motion system element: Shaft Nut Mounting position: Horizontal Vertical Diagonal

Maximum speed: Rpm Maximum load: kN

Bearing scenario:

fixed-fixed loose-fixed loose-loose free-fixed



Load/service life specifications

Usage:		Load [N]	Speed (m/s)	Time period (s)
Required service life:	<input type="text"/> x10 ⁶ rev.	F ₁ <input type="text"/>	<input type="text"/>	<input type="text"/>
Required service life:	<input type="text"/> hrs	F ₂ <input type="text"/>	<input type="text"/>	<input type="text"/>
Minimum dynamic load:	<input type="text"/> kN	F ₃ <input type="text"/>	<input type="text"/>	<input type="text"/>

Module construction options

- Shafts, cut to length, with ready-mounted nuts
- Shafts, cut to length, with separately supplied nuts
- Shafts, annealed ends, with ready-mounted nuts
- Shafts, annealed ends, with separately supplied nuts
- Shafts, fully machined, with ready-mounted nuts
- Shafts, fully machined, with ready-mounted nuts and bearing units

EUROPE

United Kingdom

Thomson
Caddsdwn Blue
Caddsdwn Business Park
Bideford EX39 3GB
Phone: +44 1271 334 500
E-mail: sales.europe@thomsonlinear.com

Germany

Thomson
Nürtinger Straße 70
72649 Wolfschlügen
Phone: +49 7022 504 403
Fax: +49 7022 504 405
E-mail: sales.europe@thomsonlinear.com

France

Thomson
Phone: +33 243 50 03 30
E-mail: sales.europe@thomsonlinear.com

Italy

Thomson
Via per Cinisello 95/97
20834 Nova Milanese (MB)
Phone: +39 0362 366406
Fax: +39 0362 276790
E-mail: sales.italy@thomsonlinear.com

Sweden

Thomson
Estridsväg 10
29109 Kristianstad
Phone: +46 44 590 2400
Fax: +46 44 590 2585
E-mail: sales.europe@thomsonlinear.com

USA, CANADA and MEXICO

Thomson
203A West Rock Road
Radford, VA 24141, USA
Phone: +1 540 633 3549
Fax: 1 540 633 0294
E-mail: thomson@thomsonlinear.com
Literature: literature.thomsonlinear.com

ASIA

Asia Pacific

Thomson
E-mail: sales.apac@thomsonlinear.com

China

Thomson
Rm 805, Scitech Tower
22 Jianguomen Wai Street
Beijing 100004
Phone: +86 400 606 1805
Fax: +86 10 6515 0263
E-mail: sales.china@thomsonlinear.com

India

Kollmorgen – Div. of Altra Industrial Motion
India Private Limited
Unit no. 304, Pride Gateway,
Opp. D-Mart,
Baner Road, Pune, 411045
Maharashtra
Phone: +91 20 67349500
E-mail: sales.india@kollmorgen.com

South Korea

Thomson
3033 ASEM Tower (Samsung-dong)
517 Yeongdong-daero
Gangnam-gu, Seoul, South Korea (06164)
Phone: + 82 2 6001 3223 & 3244
E-mail: sales.korea@thomsonlinear.com

SOUTH AMERICA

Brasil

Thomson
Av. João Paulo Ablas, 2970
Jardim da Glória - Cotia SP - CEP: 06711-250
Phone: +55 11 4615 6300
E-mail: sales.brasil@thomsonlinear.com

www.thomsonlinear.com

Precision_Screws_CTUK-0004-10 | 20221201SK
Errors and technical alterations reserved. It is the responsibility of the product user to determine the suitability of this product for a specific application. All trademarks property of their respective owners. © 2022 Thomson Industries, Inc.

 **THOMSON**[®]

Linear Motion. Optimized.[™]