

Compact wide parallel hand (standard/long stroke)

HMF Series

- Operational stroke length: Standard 30, 40, 50, 70, 100 mm
Long stroke 60, 80, 100, 120, 160, 200 mm



Double acting



Specifications

Item	HMF-12CS	HMF-16CS			HMF-20CS			HMF-25CS			HMF-32CS			HMF-40CS		
		Std.	L1	L2	Std.	L1	L2	Std.	L1	L2	Std.	L1	L2	Std.	L1	L2
Bore size mm	ø12×2	ø16×2			ø20×2			ø25×2			ø32×2			ø40×2		
Working fluid	Compressed air															
Max. working pressure MPa	0.7 (≈100 psi, 7 bar)															
Min. working pressure MPa	0.3 (≈44 psi, 3 bar)															
Ambient temperature °C	5 (41°F) to 60 (140°F)															
Port size	M5									Rc1/8						
Operating stroke length mm	20	30	60	80	40	80	100	50	100	120	70	120	160	100	160	200
Rod diameter mm	ø6	ø8			ø10			ø12			ø16			ø20		
Volumetric capacity (reciprocating) cm ³	3.4	9.1	18.1	24.1	18.8	37.6	47.0	37.7	75.4	90.5	84.4	145	193	226	301	377
Repeatability mm	±0.1															
Weight kg	0.31	0.54	0.95	1.12	0.90	1.58	1.77	1.7	2.16	2.3	2.8	3.8	4.8	5.7	7.8	8.8
Lubrication	Not required (use turbine oil class 1 ISO VG32 if necessary for lubrication)															

Switch specifications

Item	Proximity 2-wire		Proximity 3-wire	
	T2H/V		T3H/V	
Applications	Dedicated for programmable controller		For programmable controller, relay	
Output method	—		NPN output	
Power supply voltage	—		10 to 28 VDC	
Load voltage/current	10 to 30 VDC, 5 to 20 mA (*1)		30 VDC or less, 100 mA or less	
Indicator lamp	LED (Lit when ON)			
Leakage current	1 mA or less		10 µA or less	
Weight	1 m:18 g 3 m:49 g 5 m:80 g			

*1 : The above max. load current is 20 mA at 25°C.

The current is lower than 20 mA if the operating ambient temperature around the switch is higher than 25°C. (5 to 10 mA at 60°C)

*2 : Refer to Ending Page 1 for detailed switch specifications and dimensions.

LCM
LCR
LCG
LCW
LCX
STM
STG
STS/STL
STR2
UCA2
ULK*
JSK/M2
JSG
JSC3/JSC4
USSD
UFCD
USC
UB
JSB3
LMB
LML
HCM
HCA
LBC
CAC4
UCAC2
CAC-N
UCAC-N
RCS2
RCC2
PCC
SHC
MCP
GLC
MFC
BBS
RRC
GRC
RV3*
NHS
HRL
LN
Hand
Chuk
MecHnd/Chuk
ShkAbs
FJ
FK
SpdContr
Ending

LSH-HP
LSH
FH100
BSA2
BHA/BHG
LHA
LHAG
HAP
HKP
HCP
HGP
HLF2
HLA/HLB
HLAG/HLBG
HLC
HLD
HMF
HMF-G
HMF-B
HFP
FH500
HBL
HJL
HMD
HDL
HJD
BHE

How to order

Without switch (built-in magnet for switch)

HMF - 32CS - L1

With switch (built-in magnet for switch)

HMF - 32CS - L1 - T2H - R

A Size

B Option
*1

C Switch model No.

D Switch quantity

Code	Description				
A Size					
12CS					
16CS					
20CS					
25CS					
32CS					
40CS					
B Option					
Blank	Standard				
L1	Long stroke 1				
L2	Long stroke 2				
C Switch model No.					
Axial lead wire	Radial lead wire	Contact	Voltage	Display	Lead wire
			AC	DC	
T2H*	T2V*	Proximity	●	1-color	2-wire
T3H*	T3V*		●	display	3-wire
* Lead wire length					
Blank	1 m (standard)				
3	3 m (option)				
5	5 m (option)				
D Switch quantity					
R	1 on open side				
H	1 on closed side				
D	2				

⚠ Precautions for model No. selection

*1: 12CS is not available for long stroke "L1", "L2".

[Example of model No.]

HMF-32CS-L1-T2H-R

- A** Size : 32CS
- B** Option : Long stroke 1
- C** Switch model No.: Proximity T2H switch, lead wire 1 m
- D** Switch quantity : 1 on open side

How to order switch

SW - T2H

Switch model No.
(Item **C** above)

Specifications for rechargeable battery (Catalog No. CC-1226A)

HMF - ... - P4* ● Design compatible with rechargeable battery manufacturing process.

* Contact CKD for details.

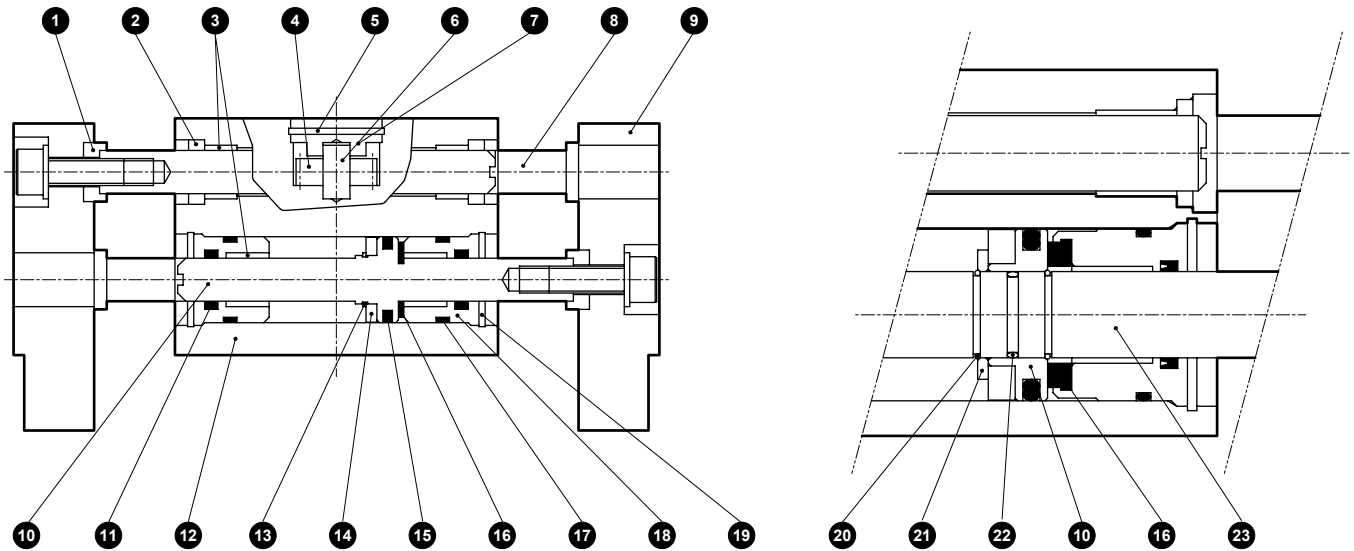
LCM
LCR
LCG
LCW
LCX
STM
STG
STS/STL
STR2
UCA2
ULK*
JSK/M2
JSG
JSC3/JSC4
USSD
UFCD
USC
UB
JSB3
LMB
LML
HCM
HCA
LBC
CAC4
UCAC2
CAC-N
UCAC-N
RCS2
RCC2
PCC
SHC
MCP
GLC
MFC
BBS
RRC
GRC
RV3*
NHS
HRL
LN
Hand
Chuk
MechMod/Chuk
ShkAbs
FJ
FK
SpdContr
Ending
LSH-HP
LSH
FH100
BSA2
BHA/BHG
LHA
LHAG
HAP
HKP
HCP
HGP
HLF2
HLA/HLB
HLA/HLBG
HLC
HLD
HMF
HMF-G
HMFB
HFP
FH500
HBL
HJL
HMD
HDL
HJD
BHE

Internal structure and parts list

● HMF-12CS to 25CS (Standard stroke length)

● HMF-32CS, 40CS (Standard)

● HMF-16CS to 40CS-L1, L2 (Long stroke)



Cannot be disassembled

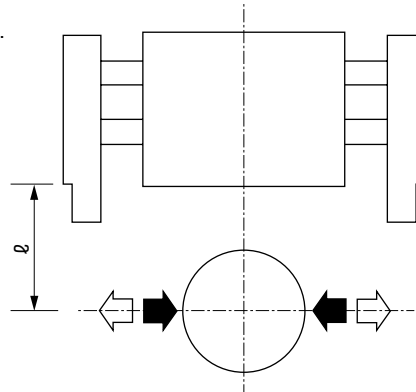
No.	Part name	Material	Remarks	No.	Part name	Material	Remarks
1	Washer	Carbon steel	12CS and 16CS only	13	Snap ring	Stainless steel	
2	Needle bearing sealant	Resin + steel		14	Magnet		
3	Bush	Sintering oil impregnated alloy		15	Piston packing	Nitrile rubber	
4	Pinion gear	Carbon steel		16	Cushion	Urethane rubber	
5	Snap ring	Stainless steel		17	Cylinder gasket	Nitrile rubber	
6	Pinion gear shaft	Stainless steel		18	Cylinder guard	Aluminum alloy	
7	Pinion cover	Stainless steel		19	Snap ring	Stainless steel	
8	Guide rod	Stainless steel		20	Piston fixing spring	Stainless steel	
9	Finger	Aluminum alloy		21	Magnet holder	Stainless steel	
10	Piston	Stainless steel		22	O-ring	Nitrile rubber	
11	Rod packing	Nitrile rubber		23	Piston rod	Stainless steel	
12	Body	Aluminum alloy					

LCM
LCR
LCG
LCW
LCX
STM
STG
STS/STL
STR2
UCA2
ULK*
JSK/M2
JSG
JSC3/JSC4
USSD
UFCD
USC
UB
JSB3
LMB
LML
HCM
HCA
LBC
CAC4
UCAC2
CAC-N
UCAC-N
RCS2
RCC2
PCC
SHC
MCP
GLC
MFC
BBS
RRC
GRC
RV3*
NHS
HRL
LN
Hand
Chuk
MecHnd/Chuk
ShkAbs
FJ
FK
SpdContr
Ending
LSH-HP
LSH
FH100
BSA2
BHA/BHG
LHA
LHAG
HAP
HKP
HCP
HGP
HLF2
HLA/HLB
HLAG/HLBG
HLC
HLD
HMF
HMF-G
HMF-B
HFP
FH500
HBL
HJL
HMD
HDL
HJD
BHE

Gripping power performance data

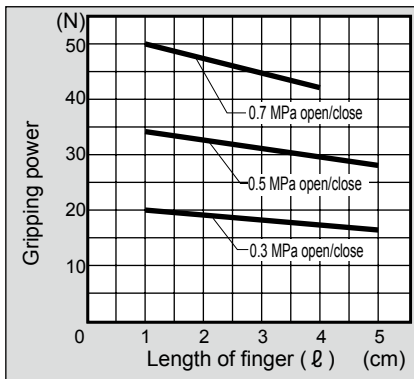
- Gripping power represents the thrust (per one finger) in the arrow direction shown in the figure.
- The gripping power with finger length L of hand and a supply pressure of 0.3, 0.5 and 0.7 MPa is shown.
- Both open direction (◀) closed direction (▶)
- (shown with continuous line)

(Note) When making a selection, read the precautions for design and selection on page 1764.

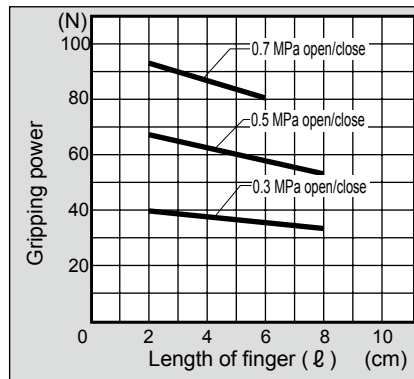


LCM
LCR
LCG
LCW
LCX
STM
STG
STS/STL
STR2
UCA2
ULK*
JSK/M2
JSG
JSC3/JSC4
USSD
UFCD
USC
UB
JSB3
LMB
LML
HCM
HCA
LBC
CAC4
UCAC2
CAC-N
UCAC-N
RCS2
RCC2
PCC
SHC
MCP
GLC
MFC
BBS
RRC
GRC
RV3*
NHS
HRL
LN
Hand
Chuk
MechHnd/Chuk
ShkAbs
FJ
FK
SpdContr
Ending
LSH-HP
LSH
FH100
BSA2
BHA/BHG
LHA
LHAG
HAP
HKP
HCP
HGP
HLF2
HLA/HLB
HLAG/HLBG
HLC
HLD
HMF
HMF-G
HMFB
HFP
FH500
HBL
HJL
HMD
HDL
HJD
BHE

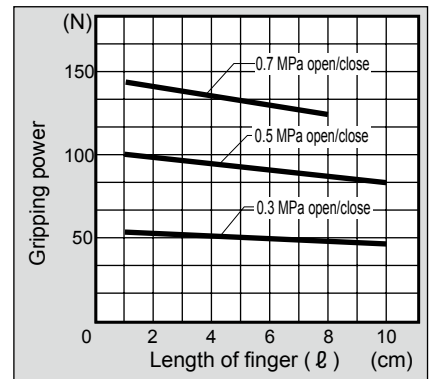
● HMF-12CS



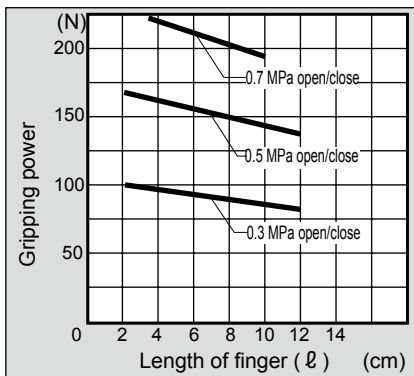
● HMF-16CS



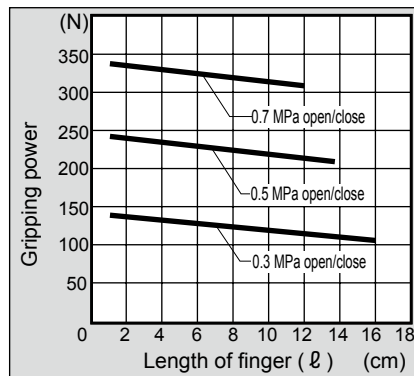
● HMF-20CS



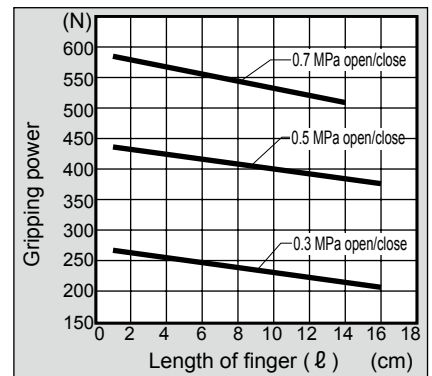
● HMF-25CS



● HMF-32CS



● HMF-40CS



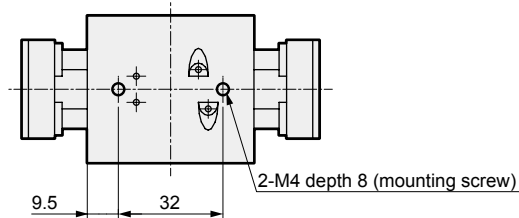
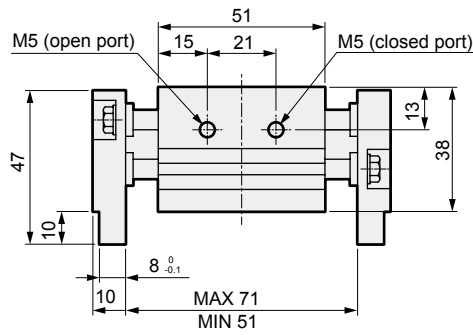
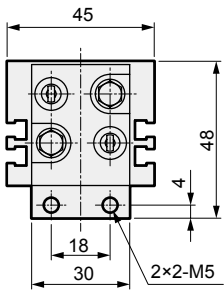
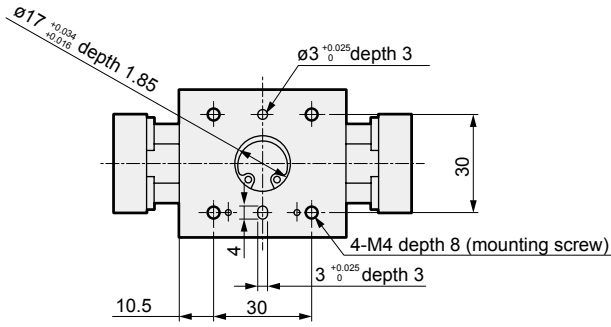
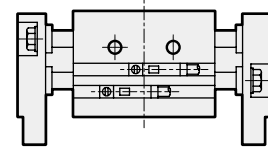
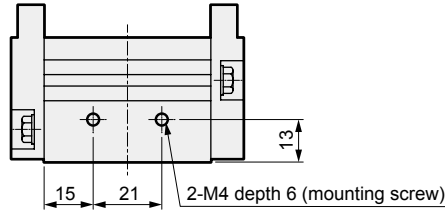
Dimensions



● HMF-12CS Standard

● With switch

- LCM
- LCR
- LCG
- LCW
- LCX
- STM
- STG
- STS/STL
- STR2
- UCA2
- ULK*
- JSK/M2
- JSG
- JSC3/JSC4
- USSD
- UFCD
- USC
- UB
- JSB3
- LMB
- LML
- HCM
- HCA
- LBC
- CAC4
- UCAC2
- CAC-N
- UCAC-N
- RCS2
- RCC2
- PCC
- SHC
- MCP
- GLC
- MFC
- BBS
- RRC
- GRC
- RV3*
- NHS
- HRL
- LN
- Hand**
- Chuk
- MecHnd/Chuk
- ShkAbs
- FJ
- FK
- SpdContr
- Ending
- LSH-HP
- LSH
- FH100
- BSA2
- BHA/BHG
- LHA
- LHAG
- HAP
- HKP
- HCP
- HGP
- HLF2
- HLA/HLB
- HLAG/HLBG
- HLC
- HLD
- HMF**
- HMF-G
- HMFB
- HFP
- FH500
- HBL
- HJL
- HMD
- HDL
- HJD
- BHE

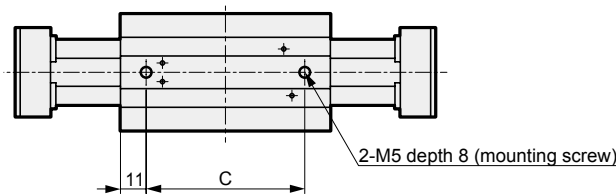
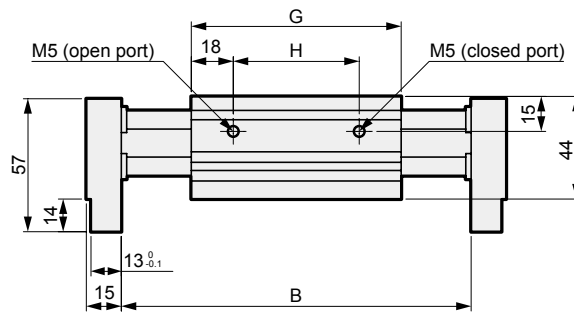
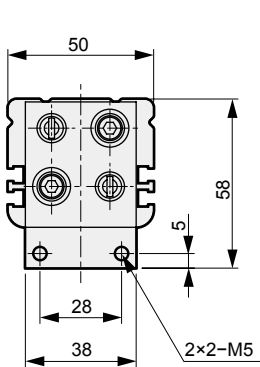
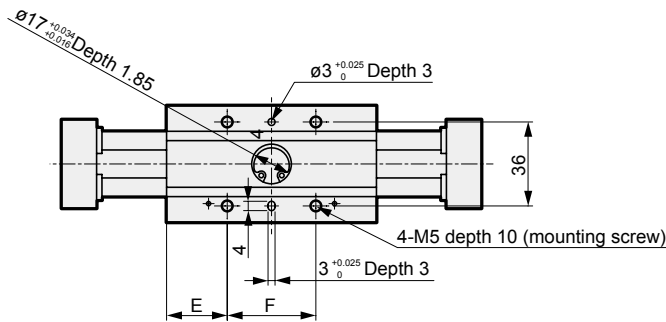
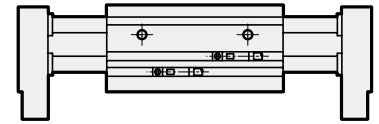
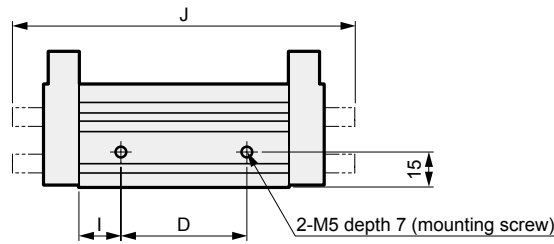


Dimensions



● HMF-16CS Standard/L1/L2

● With switch



Code	B		C	D	E	F	G	H	I	J
	MAX	MIN								
Standard (blank)	90	60	38	28	11	38	60	24	16	-
L1	150	90	68	54	26	38	90	54	18	147
L2	186	106	84	70	26	54	106	70	18	183

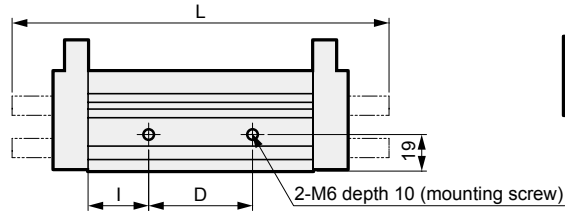
- LCM
- LCR
- LCG
- LCW
- LCX
- STM
- STG
- STS/STL
- STR2
- UCA2
- ULK*
- JSK/M2
- JSG
- JSC3/JSC4
- USSD
- UFCD
- USC
- UB
- JSB3
- LMB
- LML
- HCM
- HCA
- LBC
- CAC4
- UCAC2
- CAC-N
- UCAC-N
- RCS2
- RCC2
- PCC
- SHC
- MCP
- GLC
- MFC
- BBS
- RRC
- GRC
- RV3*
- NHS
- HRL
- LN
- Hand**
- Chuk
- MechHnd/Chuk
- ShkAbs
- FJ
- FK
- SpdContr
- Ending
- LSH-HP
- LSH
- FH100
- BSA2
- BHA/BHG
- LHA
- LHAG
- HAP
- HKP
- HCP
- HGP
- HLF2
- HLA/HLB
- HLAG/HLBG
- HLC
- HLD
- HMF**
- HMF-G
- HMFB
- HFP
- FH500
- HBL
- HJL
- HMD
- HDL
- HJD
- BHE

Dimensions

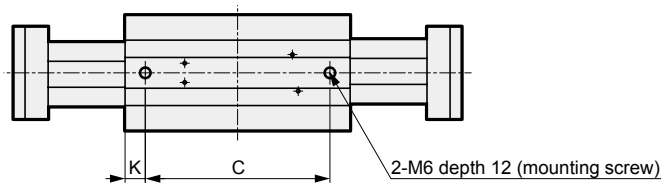
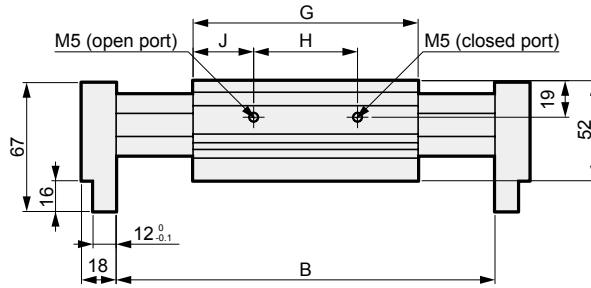
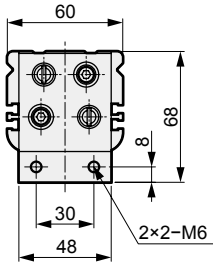
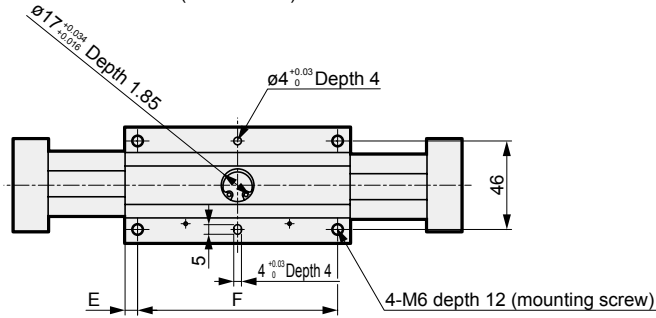
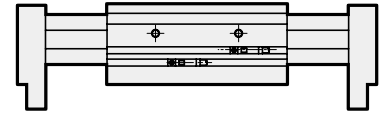


● HMF-20CS Standard/L1/L2

● With switch



(Closed state)



Code	B		C	D	E	F	G	H	I	J	K	L
	MAX	MIN										
Standard (blank)	114	74	56	38	9	56	74	34	18	20	9	-
L1	197	117	96	54	6.5	104	117	54	31.5	31.5	10.5	196
L2	233	133	112	70	6.5	120	133	70	31.5	31.5	10.5	232

- LCM
- LCR
- LCG
- LCW
- LCX
- STM
- STG
- STS/STL
- STR2
- UCA2
- ULK*
- JSK/M2
- JSG
- JSC3/JSC4
- USSD
- UFCD
- USC
- UB
- JSB3
- LMB
- LML
- HCM
- HCA
- LBC
- CAC4
- UCAC2
- CAC-N
- UCAC-N
- RCS2
- RCC2
- PCC
- SHC
- MCP
- GLC
- MFC
- BBS
- RRC
- GRC
- RV3*
- NHS
- HRL
- LN
- Hand
- Chuk
- MecHnd/Chuk
- ShkAbs
- FJ
- FK
- SpdContr
- Ending

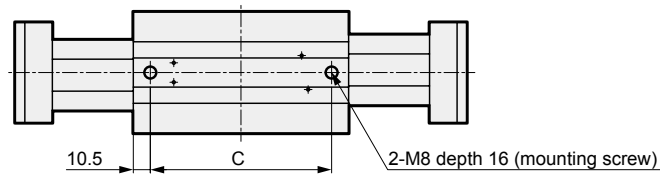
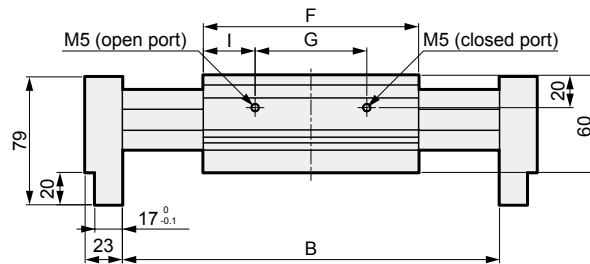
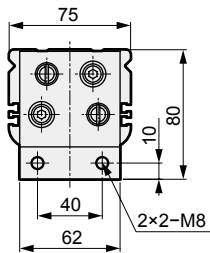
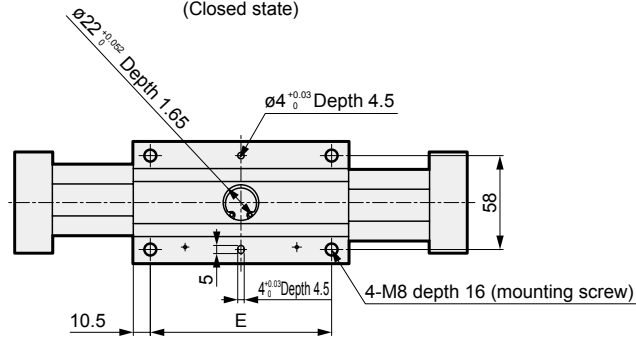
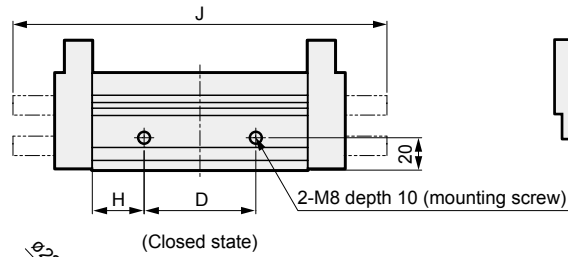
- LSH-HP
- LSH
- FH100
- BSA2
- BHA/BHG
- LHA
- LHAG
- HAP
- HKP
- HCP
- HGP
- HLF2
- HLA/HLB
- HLAG/HLBG
- HLC
- HLD
- HMF
- HMF-G
- HMFB
- HFP
- FH500
- HBL
- HJL
- HMD
- HDL
- HJD
- BHE

Dimensions



● HMF-25CS Standard/L1/L2

● With switch



Code	B		C	D	E	F	G	H	I	J
	MAX	MIN								
Standard (blank)	141	91	70	48	70	91	41	21.5	25	-
L1	233	133	112	69	112	133	69	32	32	231
L2	271	151	130	87	130	151	87	32	32	269

LCM
LCR
LCG
LCW
LCX
STM
STG
STS/STL
STR2
UCA2
ULK*
JSK/M2
JSG
JSC3/JSC4
USSD
UFCD
USC
UB
JSB3
LMB
LML
HCM
HCA
LBC
CAC4
UCAC2
CAC-N
UCAC-N
RCS2
RCC2
PCC
SHC
MCP
GLC
MFC
BBS
RRC
GRC
RV3*
NHS
HRL
LN
Hand
Chuk
MechMod/Chuk
ShkAbs
FJ
FK
SpdContr
Ending
LSH-HP
LSH
FH100
BSA2
BHA/BHG
LHA
LHAG
HAP
HKP
HCP
HGP
HLF2
HLA/HLB
HLAG/HLBG
HLC
HLD
HMF
HMF-G
HMFB
HFP
FH500
HBL
HJL
HMD
HDL
HJD
BHE

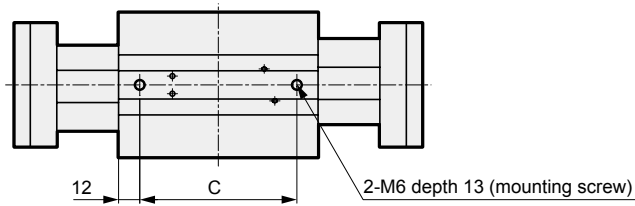
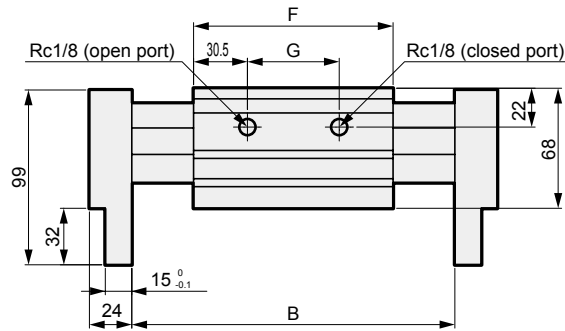
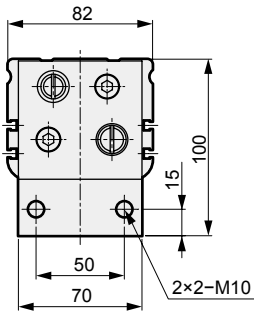
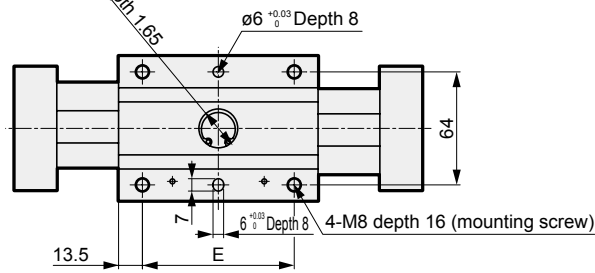
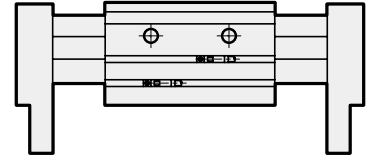
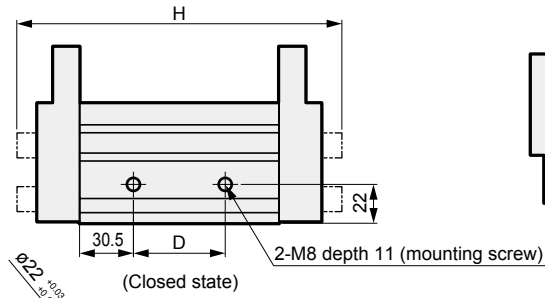
Dimensions



● HMF-32CS Standard/L1/L2

● With switch

- LCM
- LCR
- LCG
- LCW
- LX
- STM
- STG
- STS/STL
- STR2
- UCA2
- ULK*
- JSK/M2
- JSG
- JSC3/JSC4
- USSD
- UFCD
- USC
- UB
- JSB3
- LMB
- LML
- HCM
- HCA
- LBC
- CAC4
- UCAC2
- CAC-N
- UCAC-N
- RCS2
- RCC2
- PCC
- SHC
- MCP
- GLC
- MFC
- BBS
- RRC
- GRC
- RV3*
- NHS
- HRL
- LN
- Hand**
- Chuk
- MecHnd/Chuk
- ShkAbs
- FJ
- FK
- SpdContr
- Ending
- LSH-HP
- LSH
- FH100
- BSA2
- BHA/BHG
- LHA
- LHAG
- HAP
- HKP
- HCP
- HGP
- HLF2
- HLA/HLB
- HLAG/HLBG
- HLC
- HLD
- HMF**
- HMF-G
- HMFB
- HFP
- FH500
- HBL
- HJL
- HMD
- HDL
- HJD
- BHE



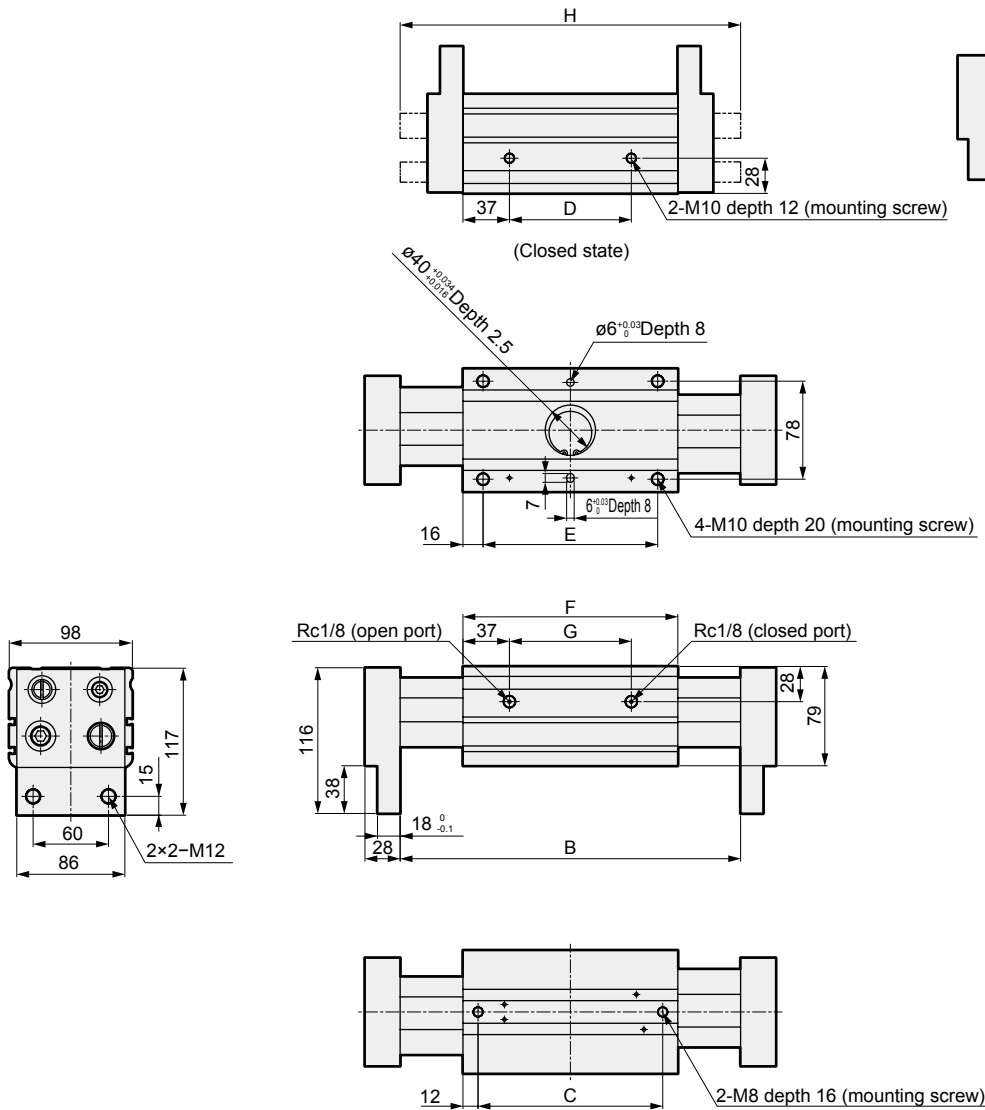
Code	B		C	D	E	F	G	H
	MAX	MIN						
Standard (blank)	183	113	89	52	86	113	52	179
L1	274	154	130	93	127	154	93	270
L2	354	194	170	133	167	194	133	350

Dimensions



● HMF-40CS Standard/L1/L2

● With switch



Code	B		C	D	E	F	G	H
	MAX	MIN						
Standard (blank)	271	171	147	97	139	171	97	271
L1	361	201	177	127	169	201	127	361
L2	434	234	210	160	202	234	160	434

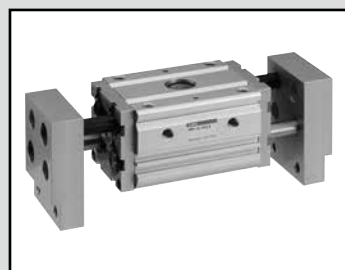
LCM
LCR
LCG
LCW
LCX
STM
STG
STS/STL
STR2
UCA2
ULK*
JSK/M2
JSG
JSC3/JSC4
USSD
UFCD
USC
UB
JSB3
LMB
LML
HCM
HCA
LBC
CAC4
UCAC2
CAC-N
UCAC-N
RCS2
RCC2
PCC
SHC
MCP
GLC
MFC
BBS
RRC
GRC
RV3*
NHS
HRL
LN
Hand
Chuk
MechHnd/Chuk
ShkAbs
FJ
FK
SpdContr
Ending
LSH-HP
LSH
FH100
BSA2
BHA/BHG
LHA
LHAG
HAP
HKP
HCP
HGP
HLF2
HLA/HLB
HLAG/HLBG
HLC
HLD
HMF
HMF-G
HMFB
HFP
FH500
HBL
HJL
HMD
HDL
HJD
BHE

Compact wide parallel hand (standard/long stroke) Coolant proof specifications

HMF-G Series

- Operating stroke length: Standard 30, 40, 50 mm
Long stroke 60, 80, 100, 120 mm

Double acting



Specifications

1 MPa ≈ 145.0 psi, 1 MPa = 10 bar

Item	HMF-G-16CS			HMF-G-20CS			HMF-G-25CS		
	Standard	L1	L2	Standard	L1	L2	Standard	L1	L2
Bore size mm	ø16 x 2			ø20 x 2			ø25 x 2		
Working fluid	Compressed air								
Max. working pressure MPa	0.7 (≈101 psi, 7 bar)								
Min. working pressure MPa	0.3 (≈44 psi, 3 bar)								
Ambient temperature °C	5 (41°F) to 60 (140°F)								
Port size	M5								
Operating stroke length mm	30	60	80	40	80	100	50	100	120
Rod diameter mm	ø8			ø10			ø12		
Volumetric capacity (reciprocating) cm ³	9.1	18.1	24.1	18.8	37.6	47.0	37.7	75.4	90.5
Repeatability mm	±0.1								
Weight kg	0.65	1.06	1.23	1.07	1.75	1.94	2	2.46	2.6
Lubrication	Not required (use turbine oil class 1 ISO VG32 if necessary for lubrication)								

Switch specifications

Item	Wireless 2-wire	Wireless 3-wire
	T2YLH, T2YLV	T3YLH, T3YLV
Applications	Dedicated for programmable controller	Programmable controller, relay
Output method	-	NPN output
Power supply voltage	-	10 to 28 VDC
Load voltage/current	10 to 30 VDC, 5 to 20 mA *1	30 VDC or less, 50 mA or less
Display lamp	Red/green LED (Lit when ON)	
Leakage current	1 mA or less	10 µA or less
Impact resistance	980 m/S ²	
Weight g	1 m: 33 3 m: 87 5 m: 142	

*1: The above max. load current is 20 mA at 25°C. The current is lower than 20 mA if the operating ambient temperature around the switch is higher than 25°C. (5 to 10 mA at 60°C)

*2: Refer to Ending Page 1 for other switch specifications.

LCM
LCR
LCG
LCW
LCX
STM
STG
STS/STL
STR2
UCA2
ULK*
JSK/M2
JSG
JSC3/JSC4
USSD
UFGD
USC
UB
JSB3
LMB
LML
HCM
HCA
LBC
CAC4
UCAC2
CAC-N
UCAC-N
RCS2
RCC2
PCC
SHC
MCP
GLC
MFC
BBS
RRC
GRC
RV3*
NHS
HRL
LN
Hand
Chuk
MecHnd/Chuk
ShkAbs
FJ
FK
SpdContr
Ending
LSH-HP
LSH
FH100
BSA2
BHA/BHG
LHA
LHAG
HAP
HKP
HCP
HGP
HLF2
HLA/HLB
HLAG/HLBG
HLC
HLD
HMF
HMF-G
HMF-B
HFP
FH500
HBL
HJL
HMD
HDL
HJD
BHE

How to order

Without switch (built-in magnet for switch)

HMF-G - **20CS** - **L1**

With switch (built-in magnet for switch)

HMF-G - **20CS** - **L1** - **T2YLH** - **R**

A Size

B Option

C Switch model No.

D Switch quantity

Code		Description				
A Size						
16CS						
20CS						
25CS						
B Option						
Blank		Standard				
L1		Long stroke 1				
L2		Long stroke 2				
C Switch model No.						
Lead wire	Lead wire	Contact	Voltage		Display	Lead wire
			AC	DC		
Straight	Radial	Proximity				
T2YLH*	T2YLV*		●		2-color	2-wire
T3YLH*	T3YLV*		●		display	3-wire
* Lead wire length						
Blank		1 m (standard)				
3		3 m (option)				
5		5 m (option)				
D Switch quantity						
R		1 on open side				
H		1 on closed side				
D		2				

[Example of model No.]

HMF-G-20CS-L1-T2YLH-R

- A** Size : 20CS
- B** Option : Long stroke 1
- C** Switch model No.: Proximity T2YLH switch, lead wire 1 m
- D** Switch quantity : 1 on open side

How to order switch

SW - **T2YLH**

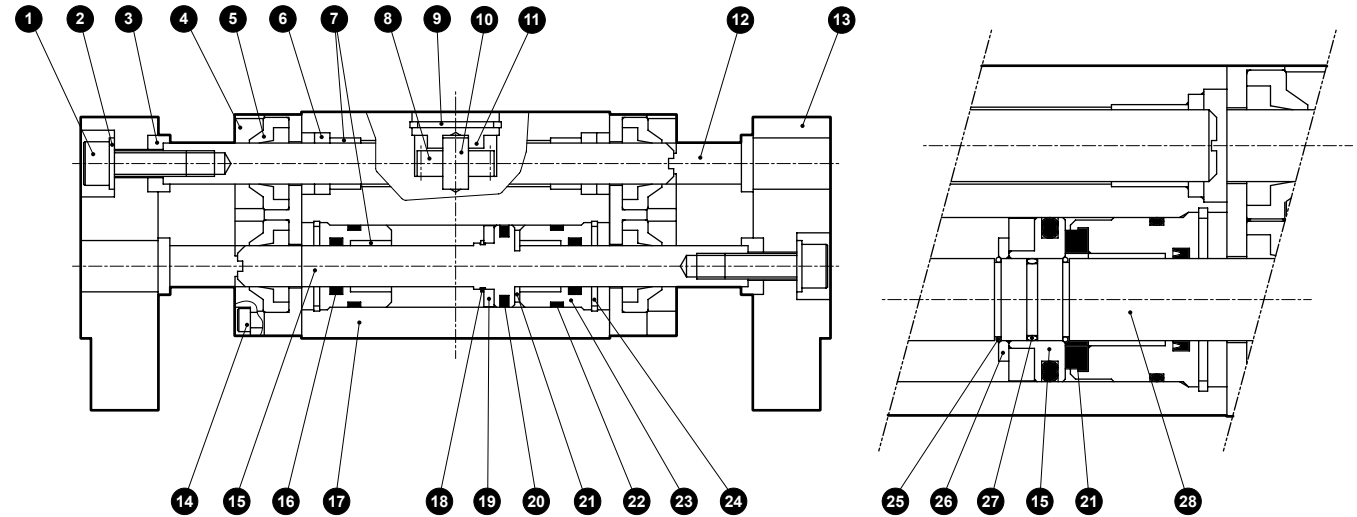
Switch model No.
(Item **C** above)

LCM
LCR
LCC
LCW
LCX
STM
STG
STS/STL
STR2
UCA2
ULK*
JSK/M2
JSG
JSC3/JSC4
USSD
UFCD
USC
UB
JSB3
LMB
LML
HCM
HCA
LBC
CAC4
UCAC2
CAC-N
UCAC-N
RCS2
RCC2
PCC
SHC
MCP
GLC
MFC
BBS
RRC
GRC
RV3*
NHS
HRL
LN
Hand
Chuk
MechHnd/Chuk
ShkAbs
FJ
FK
SpdContr
Ending
LSH-HP
LSH
FH100
BSA2
BHA/BHG
LHA
LHAG
HAP
HKP
HCP
HGP
HLF2
HLA/HLB
HLAG/HLBG
HLC
HLD
HMF
HMF-G
HMF-B
HFP
FH500
HBL
HJL
HMD
HDL
HJD
BHE

HMF-G Series

Internal structure and parts list

● HMF-G-16CS to 25CS



HMF-G (standard stroke length)

HMF-G (L1, L2)

Cannot be disassembled

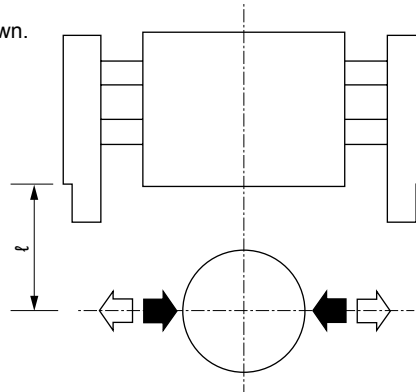
No.	Part name	Material	Remarks	No.	Part name	Material	Remarks
1	Hexagon socket head cap screw	Steel alloy		15	Piston	Stainless steel	
2	Flat washer	Steel		16	Rod packing	Nitrile rubber	
3	Washer	Steel	16CS only	17	Body	Aluminum alloy	
4	Side cover	Aluminum alloy		18	Snap ring	Stainless steel	
5	Dust wiper	Nitrile rubber, steel		19	Magnet		
6	Needle bearing sealant	Resin, steel		20	Piston packing	Nitrile rubber	
7	Bush	Sintering oil impregnated alloy		21	Cushion	Urethane rubber	
8	Pinion gear	Steel		22	Cylinder gasket	Nitrile rubber	
9	Snap ring	Stainless steel		23	Cylinder guard	Aluminum alloy	
10	Pinion gear shaft	Stainless steel		24	Snap ring	Stainless steel	
11	Pinion cover	Stainless steel		25	Piston fixing spring	Stainless steel	
12	Guide rod	Stainless steel		26	Magnet holder	Stainless steel	
13	Finger	Aluminum alloy		27	O-ring	Nitrile rubber	
14	Hexagon socket head cap screw	Steel alloy		28	Piston rod	Stainless steel	

- LCM
- LCR
- LCG
- LCW
- L CX
- STM
- STG
- STS/STL
- STR2
- UCA2
- ULK*
- JSK/M2
- JSG
- JSC3/USC4
- USSD
- UFCD
- USC
- UB
- JSB3
- LMB
- LML
- HCM
- HCA
- LBC
- CAC4
- UCAC2
- CAC-N
- UCAC-N
- RCS2
- RCC2
- PCC
- SHC
- MCP
- GLC
- MFC
- BBS
- RRC
- GRC
- RV3*
- NHS
- HRL
- LN
- Hand**
- Chuk
- MecHnd/Chuk
- ShkAbs
- FJ
- SpdContr
- Ending
- LSH-HP
- LSH
- FH100
- BSA2
- BHA/BHG
- LHA
- LHAG
- HAP
- HKP
- HCP
- HGP
- HLF2
- HLA/HLB
- HLAG/HLBG
- HLC
- HLD
- HMF
- HMF-G**
- HMFB
- HFP
- FH500
- HBL
- HJL
- HMD
- HDL
- HJD
- BHE

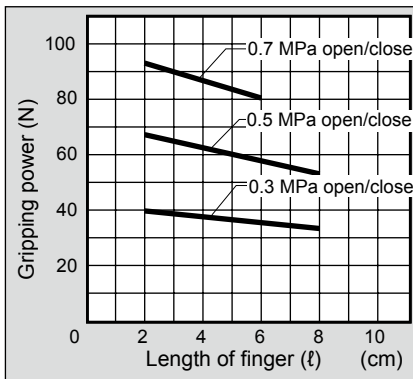
Gripping power performance data

- Gripping power represents the thrust (per one finger) in the arrow direction shown in the figure.
- The gripping power with finger length L of the hand and supply pressure of 0.3, 0.5 and 0.7 MPa is shown.
 - Common to open direction (←) and closed direction (→) — (shown with continuous line)

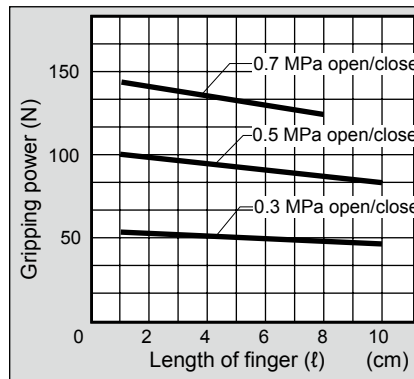
(Note) For selection, see page 1764 for design and selection precautions.



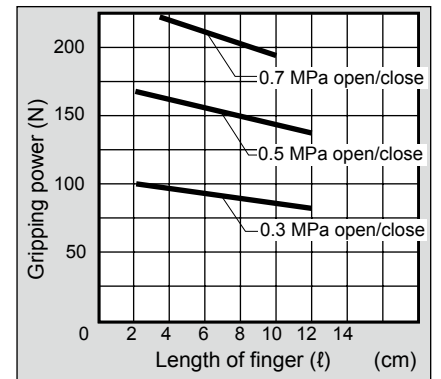
● HMF-G-16CS



● HMF-G-20CS



● HMF-G-25CS



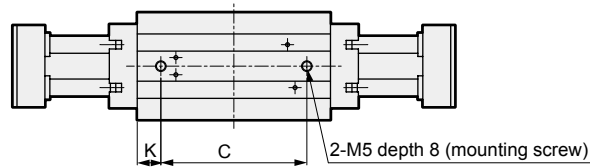
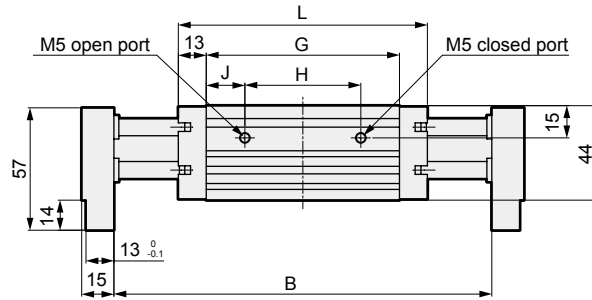
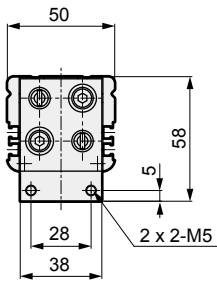
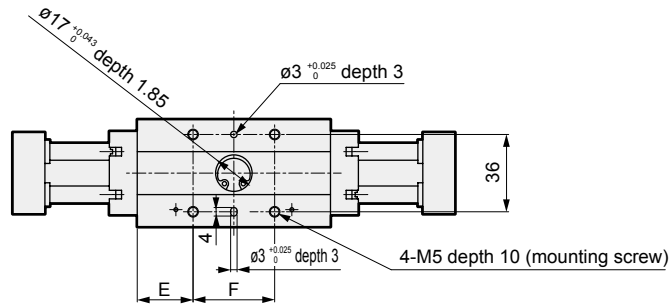
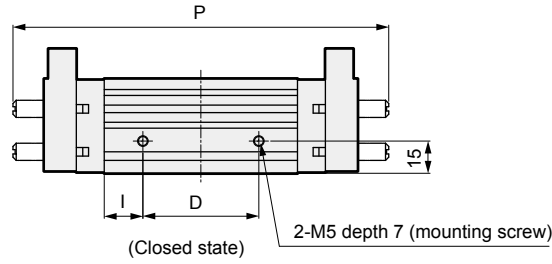
LCM
LCR
LCG
LCW
LCX
STM
STG
STS/STL
STR2
UCA2
ULK*
JSK/M2
JSG
JSC3/JSC4
USSD
UFCD
USC
UB
JSB3
LMB
LML
HCM
HCA
LBC
CAC4
UCAC2
CAC-N
UCAC-N
RCS2
RCC2
PCC
SHC
MCP
GLC
MFC
BBS
RRC
GRC
RV3*
NHS
HRL
LN
Hand
Chuk
MechHnd/Chuk
ShkAbs
FJ
FK
SpdContr
Ending
LSH-HP
LSH
FH100
BSA2
BHA/BHG
LHA
LHAG
HAP
HKP
HCP
HGP
HLF2
HLA/HLB
HLAG/HLBG
HLC
HLD
HMF
HMF-G
HMFB
HFP
FH500
HBL
HJL
HMD
HDL
HJD
BHE

HMF-G Series

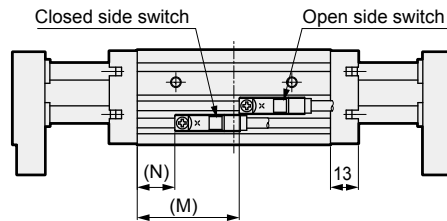
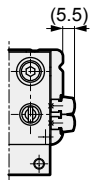
Dimensions



● HMF-G-16CS Standard/L1/L2



● With switch



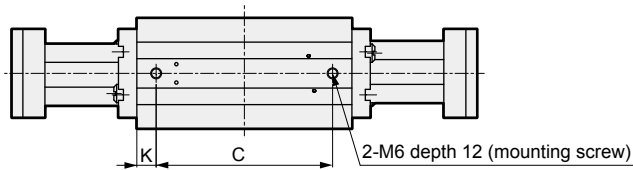
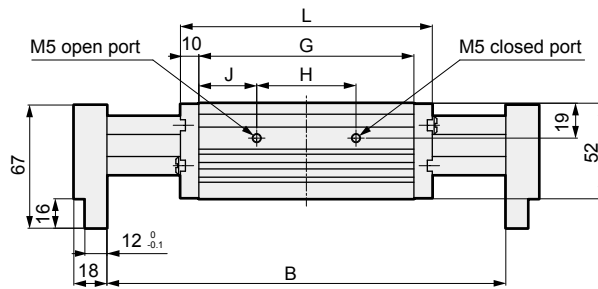
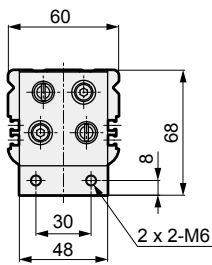
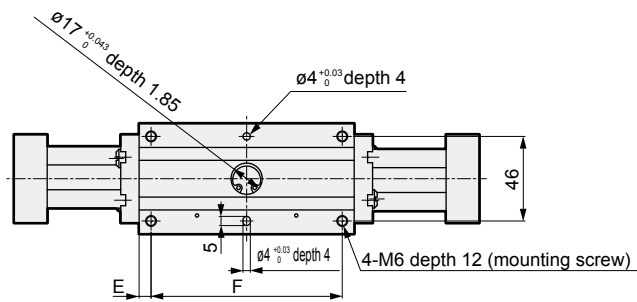
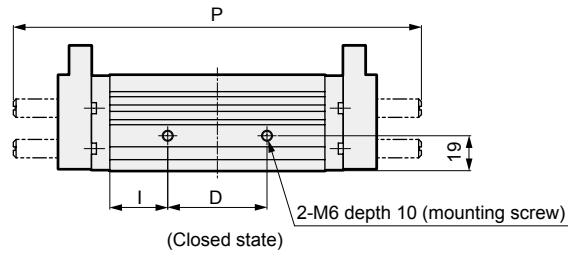
Code	B		C	D	E	F	G	H	I	J	K	L	M	N	P
	MAX	MIN													
Standard (blank)	116	86	38	28	11	38	60	24	16	18	11	86	26	11	115
L1	176	116	68	54	26	38	90	54	18	18	11	116	48.5	18.5	175
L2	212	132	84	70	26	54	106	70	18	18	11	132	64.5	24.5	211

- LCM
- LCR
- LCG
- LCW
- L CX
- STM
- STG
- STS/STL
- STR2
- UCA2
- ULK*
- JSK/M2
- JSG
- JSC3/USC4
- USSD
- UFCD
- USC
- UB
- JSB3
- LMB
- LML
- HCM
- HCA
- LBC
- CAC4
- UCAC2
- CAC-N
- UCAC-N
- RCS2
- RCC2
- PCC
- SHC
- MCP
- GLC
- MFC
- BBS
- RRC
- GRC
- RV3*
- NHS
- HRL
- LN
- Hand**
- Chuk
- MecHnd/Chuk
- ShkAbs
- FJ
- FK
- SpdContr
- Ending
- LSH-HP
- LSH
- FH100
- BSA2
- BHA/BHG
- LHA
- LHAG
- HAP
- HKP
- HCP
- HGP
- HLF2
- HLA/HLB
- HLAG/HLBG
- HLC
- HLD
- HMF
- HMF-G**
- HMFB
- HFP
- FH500
- HBL
- HJL
- HMD
- HDL
- HJD
- BHE

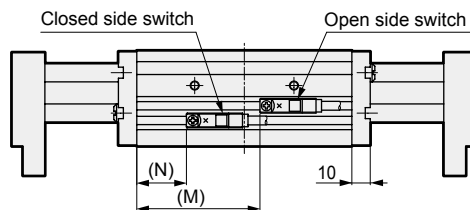
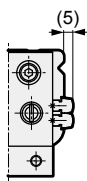
Dimensions



● HMF-G-20CS Standard/L1/L2



● With switch



Code	B		C	D	E	F	G	H	I	J	K	L	M	N	P
	MAX	MIN													
Standard (blank)	134	94	56	38	9	56	74	34	18	20	9	94	35.5	15.5	139
L1	217	137	96	54	6.5	104	117	54	31.5	31.5	10.5	137	67	27	222
L2	253	153	112	70	6.5	120	133	70	31.5	31.5	10.5	153	83	33	258

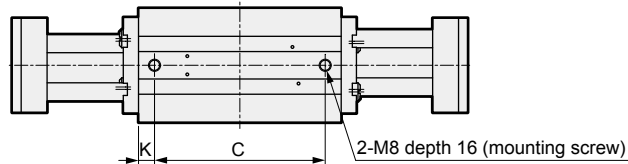
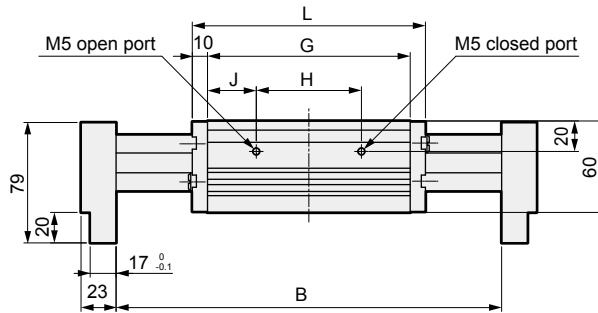
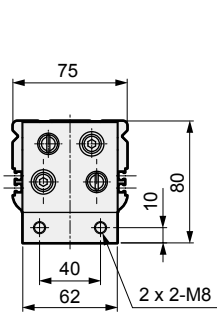
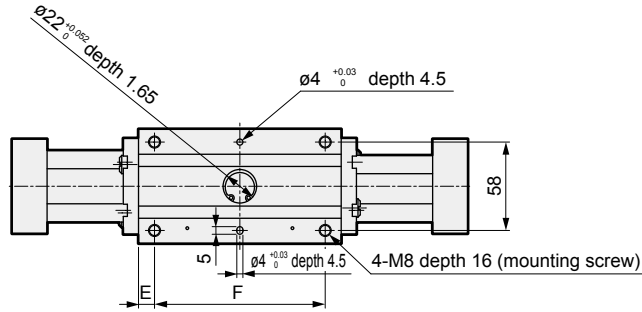
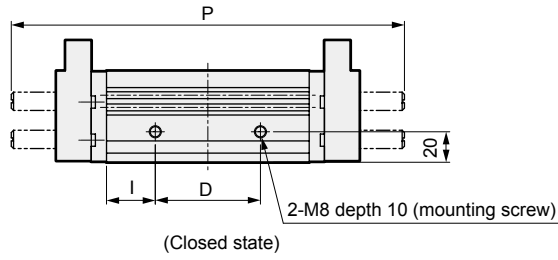
LCM
LCR
LCG
LCW
LCX
STM
STG
STS/STL
STR2
UCA2
ULK*
JSK/M2
JSG
JSC3/JSC4
USSD
UFCD
USC
UB
JSB3
LMB
LML
HCM
HCA
LBC
CAC4
UCAC2
CAC-N
UCAC-N
RCS2
RCC2
PCC
SHC
MCP
GLC
MFC
BBS
RRC
GRC
RV3*
NHS
HRL
LN
Hand
Chuk
MechMod/Chuk
ShkAbs
FJ
FK
SpdContr
Ending
LSH-HP
LSH
FH100
BSA2
BHA/BHG
LHA
LHAG
HAP
HKP
HCP
HGP
HLF2
HLA/HLB
HLAG/HLBG
HLC
HLD
HMF
HMF-G
HMFB
HFP
FH500
HBL
HJL
HMD
HDL
HJD
BHE

HMF-G Series

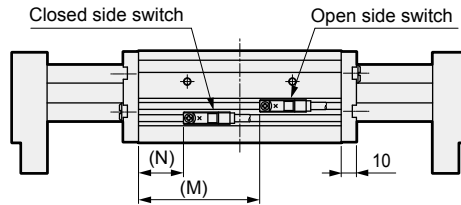
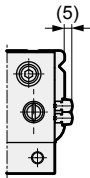
Dimensions



● HMF-G-25CS Standard/L1/L2



● With switch



Code	B		C	D	E	F	G	H	I	J	K	L	M	N	P
	MAX	MIN													
Standard (blank)	161	111	70	48	10.5	70	91	41	21.5	25	10.5	111	46	21	166
L1	253	153	112	69	10.5	112	133	69	32	32	10.5	153	79.5	29.5	258
L2	291	171	130	87	10.5	130	151	87	32	32	10.5	171	97.5	37.5	296

- LCM
- LCR
- LCG
- LCW
- LCX
- STM
- STG
- STS/STL
- STR2
- UCA2
- ULK*
- JSK/M2
- JSG
- JSC3/USC4
- USSD
- UFCD
- USC
- UB
- JSB3
- LMB
- LML
- HCM
- HCA
- LBC
- CAC4
- UCAC2
- CAC-N
- UCAC-N
- RCS2
- RCC2
- PCC
- SHC
- MCP
- GLC
- MFC
- BBS
- RRC
- GRC
- RV3*
- NHS
- HRL
- LN
- Hand**
- Chuk
- MecHnd/Chuk
- ShkAbs
- FJ
- FK
- SpdContr
- Ending
- LSH-HP
- LSH
- FH100
- BSA2
- BHA/BHG
- LHA
- LHAG
- HAP
- HKP
- HCP
- HGP
- HLF2
- HLA/HLB
- HLAG/HLBG
- HLC
- HLD
- HMF
- HMF-G**
- HMFB
- HFP
- FH500
- HBL
- HJL
- HMD
- HDL
- HJD
- BHE