

F.R.L.  
F.R.  
F (Filtr)  
R (Reg)  
L (Lub)  
Drain  
Separ  
Mech  
Press SW  
Res press  
exh valve  
SlowStart  
Anti-bac/Bac-  
remove Filtr  
Film  
Resist FR  
Oil-ProhR  
Med  
Press FR  
No Cu/  
PTFE FRL  
Outdrs FRL  
Adapter  
Joiner  
Press  
Gauge  
CompFRL  
LgFRL  
PrecsR  
VacF/R  
Clean FR  
ElecPneR  
AirBoost  
Speed Ctrl  
Silncr  
CheckV/  
other  
Fit/Tube  
Nozzle  
Air Unit  
PrecsCompn  
Electro  
Press SW  
ContactSW  
AirSens  
PresSW  
Cool  
Air Flo  
Sens/Ctrl  
WaterRiSens  
TotAirSys  
(Total Air)  
TotAirSys  
(Gamma)  
Gas  
generator  
RefrDry  
DesicDry  
HiPolymDry  
MainFiltr  
Dischrg  
etc  
Ending



# Check valve CHV2 Series

Completely prevents reverse flow of fluid such as compressed air. Ten types of wide variations.

● Port size: Rc 1/8 to Rc1 1/2

JIS symbol



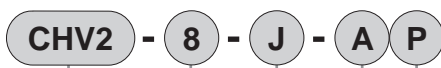
## Features

- Wide range of variations  
Series are available for piping bore sizes Rc1/8 to Rc1 1/2.
- Compact and lightweight
- Wide range of options  
Fluoro rubber specifications and oil-prohibited specifications available as options. An installation bracket is available for small bore sizes.
- Neat shape
- Eco-friendly products, to make recycling easier

## Specifications

Model No.	CHV2-6	CHV2-8-J	CHV2-8	CHV2-10-J	CHV2-10	CHV2-15	CHV2-20	CHV2-25	CHV2-32	CHV2-40
Working fluid	Compressed air									
Max. working pressure MPa	1 (≈150 psi, 10 bar)									
Min. working pressure MPa	0.03 (≈4.4 psi, 0.3 bar)									
Proof pressure MPa	1.5 (≈220 psi, 15 bar)									
Cracking pressure MPa	0.02 (≈2.9 psi, 0.2 bar)									
Fluid temperature °C	5 (41°F) to 60 (140°F)									
Ambient temperature °C	0 (32°F) to 60 (140°F) (no freezing)									
Port size Rc	1/8	1/4		3/8		1/2	3/4	1	1 1/4	1 1/2
Weight g	47	81		140		265		875		
Mounting plate weight g	10	15		-						
Effective cross-sectional area mm <sup>2</sup>	28	55		60	94	110	220	250	700	730

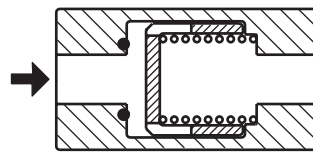
## How to order



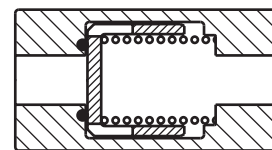
Code	Description
<b>A Port size</b>	
6	Rc1/8
8	Rc1/4
10	Rc3/8
15	Rc1/2
20	Rc3/4
25	Rc1
32	Rc1 1/4
40	Rc1 1/2
<b>B Option</b>	
Blank	No option
A	Fluoro rubber specifications
P8	Oil-prohibited specifications
<b>C Accessory</b>	
Blank	None
P	With mounting plate

\*1: Small flow compact (J) is only for port size Rc1/4 (8) and Rc3/8 (10).  
\*2: The options are listed in alphabetical order. (AP8)  
\*3: Mounting plate is available for CHV2-6, CHV2-8-J, CHV2-8 and CHV2-10-J only.

## Operational principle



If pressurized in the direction of the arrow from left to right on the side body, the valve fully opens and the flow turns to free flow.



If pressurized in the reverse direction from right to left on the side body, the valve closes and flow is interrupted.

Clean-room specifications (Catalog No. CB-033SA)

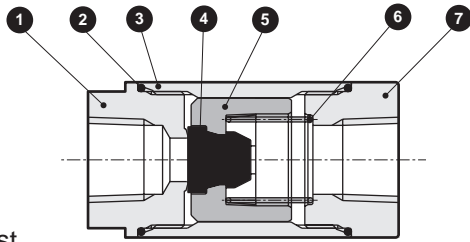
- Anti-dust generation structure for use in cleanrooms

CHV2-.....- P7\*

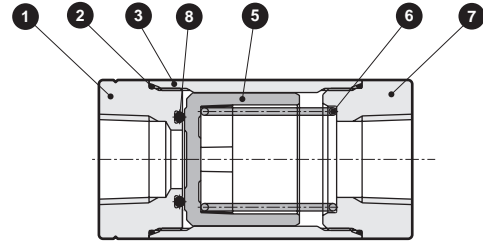
CHV2-.....- P80

### Internal structure and parts list

● CHV2-6,8-J



● CHV2-8 to 40

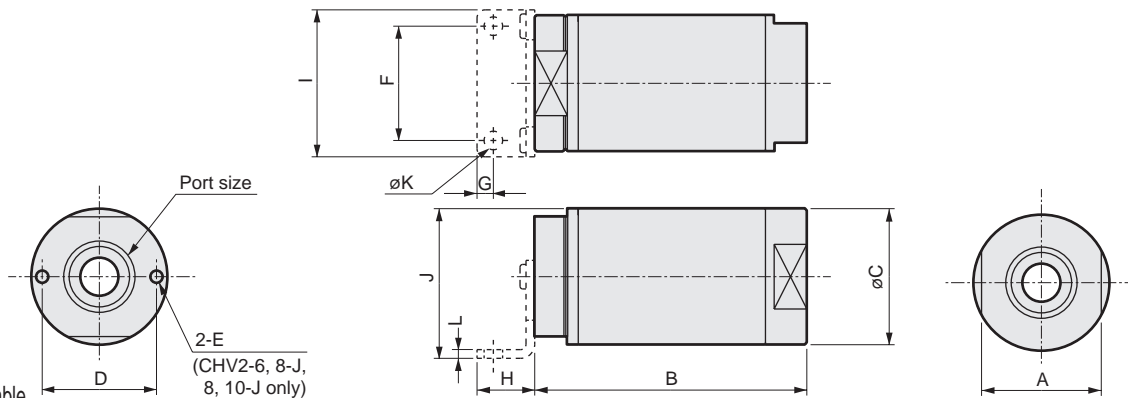


#### Parts list

No.	Part name	Material	No.	Part name	Material
1	Cover A	Aluminum alloy	5	Valve guide	Polyacetal
2	O-ring	Nitrile rubber (fluoro rubber)	6	Coil spring	Stainless steel
3	Tube	Aluminum alloy	7	Cover B	Aluminum alloy
4	Valving element	Nitrile rubber (fluoro rubber)	8	O-ring	Nitrile rubber (fluoro rubber)

\* Materials shown in ( ) are for option "A" (fluoro rubber specifications).

### Dimensions



Dimensions table

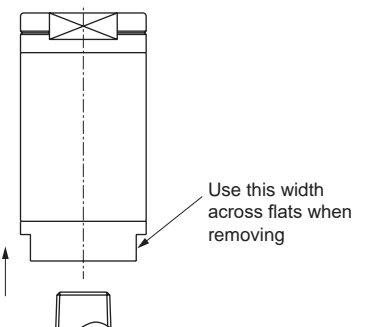
Model No.	Port size	A	B	øC	D	E	F	G	H	I	J	øK	L
CHV2-6	Rc1/8	22	50	25	21	M2.5	21	3	10.5	27	27.5	3.4	1.6
CHV2-8-J	Rc1/4												
CHV2-8	Rc1/4	27	60	31	26	M3	25	5	14	32	34	4.4	
CHV2-10-J	Rc3/8												
CHV2-10	Rc3/8	32	75	38	-	-	-	-	-	-	-	-	
CHV2-15	Rc1/2												
CHV2-20	Rc3/4	42	95	47	-	-	-	-	-	-	-	-	
CHV2-25	Rc1												
CHV2-32	Rc1 1/4	63	140	72	-	-	-	-	-	-	-	-	
CHV2-40	Rc1 1/2												

### ⚠ Safety precautions

#### ■ Use/maintenance

##### Installation of CHV2

- After temporarily tightening the mounting port by hand, tighten with a tool on the width across flats. When connecting the pipe, tighten using the recommended tightening torque. When removing the piping from this product, use the on the side the width across flats of piping to be removed. If the width across flats on the opposite side is used, the cover could loosen and lead to external leakage.
- Check JIS symbols on the product nameplate and pipe accordingly. If pressure is applied from IN, fluid will flow freely. If pressure is applied from OUT, fluid will be blocked. The side of the cover with a groove is IN, so check the direction when piping.
- Depending on the usage and piping conditions, note that abnormal noise may occur due to chattering when the valving element is not fully closed.



- F.R.L.
- F.R.
- F (Filtr)
- R (Reg)
- L (Lub)
- Drain Separ
- Mech Press SW
- Res press exh valve
- SlowStart
- Anti-bac/Bac-remove Filtr
- Film Resist FR
- Oil-ProhR
- Med Press FR
- No Cu/ PTFE FRL
- Outdrs FRL
- Adapter Joiner Press Gauge
- CompFRL
- LgFRL
- PrecsR
- VacF/R
- Clean FR
- ElecPneuR
- AirBoost
- Speed Ctrl
- Silncr
- CheckV/ other
- Fit/Tube
- Nozzle
- Air Unit
- PresCompn
- Electro Press SW
- ContactSW
- AirSens
- PresSW Cool
- Air Flo Sens/Ctrl
- WaterRSens
- TotAirSys (Total Air)
- TotAirSys (Gamma)
- Gas generator
- RefrDry
- DesicDry
- HiPolymDry
- MainFiltr
- Dischrg etc
- Ending