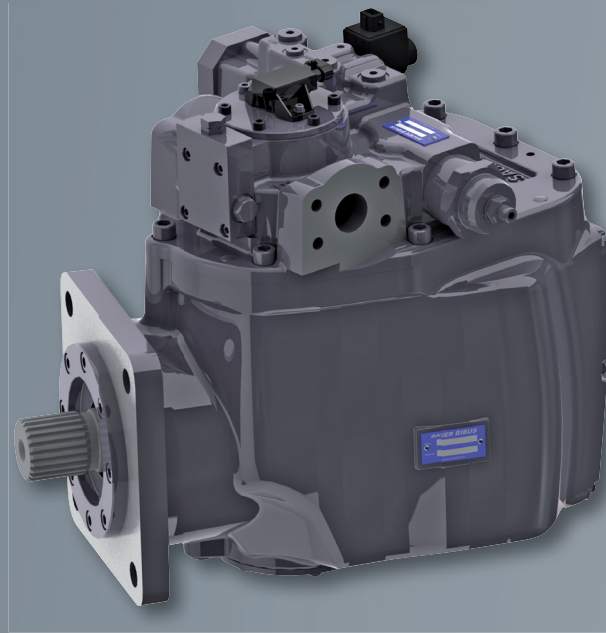


MODUL
DRIVE



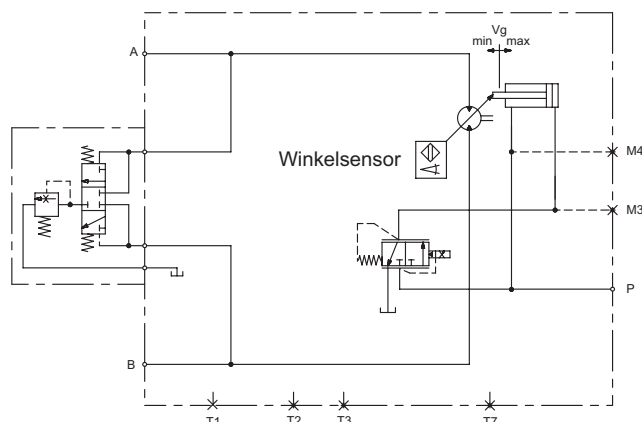
Advantages at a glance:

- Variable bent axis hydraulic motor
- Area of application: Drives for Agricultural and building machinery in open and closed circuit
- Low pressure control (LP)
- High pressure (HP)
- Optimised for drive controls e.g. SAUER BIBUS
- Optimised for modular drive systems e.g. SAUER BIBUS

Special features:

- 233 ccm / rev displacement
- Swivel angle 45°; high hydraulic conversion range
- Optimized high speed rotation
- LP Control
 - electro-proportional closed-loop
 - Swivel angle sensor
 - flashing valve optional
 - compact design
 - few components
 - external pressure supply
 - high-pressureports 1 1/4"
- HP Control
 - electro-proportional
 - hydraulic-proportional optional
 - high-pressureports 1"
- Redundant speed sensor
- temperature sensor optional
- Spline Shaft according DIN or SAE

Circuit diagram: LP

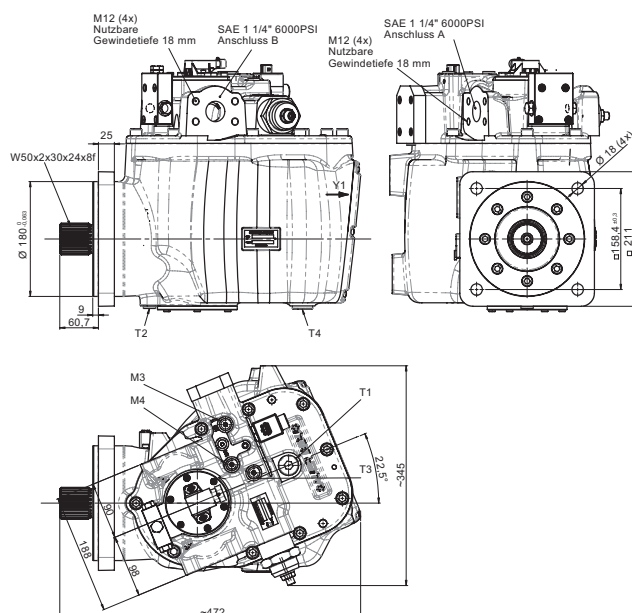


Connections:

A, B SAE 1 1/4", Code 62
 T1, T2 M26x1,5
 P M14x1,5
 M3, M4 M14x1,5

Technical Data:	233 ccm/rev	
→ Nominal Speed (rotation group)	at 45° at 7° at 0°	1.600 1/min 4.100 1/min 4.300 1/min
→ Max. Speed (rotation group)	at 45° at 7° at 0°	1.900 1/min 4.300 1/min 4.500 1/min
→ Nominal pressure		$\Delta p = 450$ bar
→ Peak pressure	intermittend	$\Delta p = 510$ bar
→ Output Torque LP-control HP-control	($\Delta p = 450$ bar) at V_{gmax} at V_{gmax}	1.600 Nm 1.550 Nm
→ Control pressure	LP HP	$\Delta p = 25$ bar ext. $\Delta p = 450$ bar intern.
→ Case pressure	nomin. press. 3 bar peak press. 5 bar	
→ Weight	LP-control approx. 160 kg HP-control approx. 165 kg	
→ Installation position	optional	
→	Different requirements on request	

Dimensions:



→ Detailed installation drawing on request