

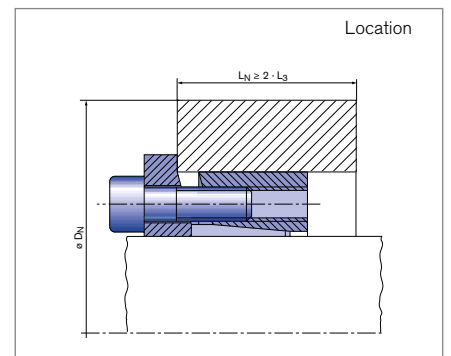
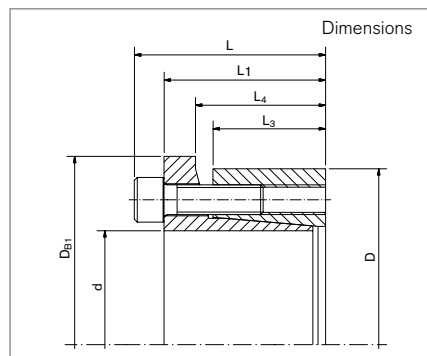
Locking Assemblies

RINGFEDER® RfN 7013.1

Axial hub fixing, excellent concentricity and very easy to dismantle



self-centering | without axial displacement | with low surface pressure



| Locking Assembly dimensions | | | | | | | | Transmissible torques or axial forces | | Surface pressure | | Locking screws | | | D _N min at R _{p0,2} | | | T _{max} | |
|-----------------------------|---|-----|-----------------|----|----------------|----------------|----------------|---------------------------------------|-----------------|-------------------|--------|-----------------|----------------|----------------|---|-----|-----|------------------|-------|
| d | x | D | D _{B1} | L | L ₁ | L ₃ | L ₄ | T | F _{ax} | Shaft PW | Hub PN | n _{Sc} | D _G | T _A | G _w | 200 | 300 | | 400 |
| mm | | | | | | | | Nm | | N/mm ² | | Nm | | | [N/mm ²] | | | Nm | |
| 19 | x | 47 | 53 | 37 | 31 | 21,7 | 25,7 | 285 | 30 | 300 | 90 | 6 | M6 x 20 | 17 | 0,29 | 70 | 61 | 57 | 310 |
| 20 | x | 47 | 53 | 37 | 31 | 21,7 | 25,7 | 300 | 30 | 290 | 90 | 6 | M6 x 20 | 17 | 0,29 | 70 | 61 | 57 | 330 |
| 22 | x | 47 | 53 | 37 | 31 | 21,7 | 25,7 | 330 | 30 | 260 | 90 | 6 | M6 x 20 | 17 | 0,27 | 70 | 61 | 57 | 360 |
| 24 | x | 50 | 56 | 37 | 31 | 21,7 | 25,7 | 420 | 40 | 300 | 110 | 7 | M6 x 20 | 17 | 0,31 | 80 | 68 | 63 | 460 |
| 25 | x | 50 | 56 | 37 | 31 | 21,7 | 25,7 | 440 | 40 | 290 | 110 | 7 | M6 x 20 | 17 | 0,3 | 80 | 68 | 63 | 480 |
| 28 | x | 55 | 62 | 37 | 31 | 21,7 | 25,7 | 490 | 40 | 260 | 100 | 7 | M6 x 20 | 17 | 0,36 | 83 | 72 | 68 | 530 |
| 30 | x | 55 | 62 | 37 | 31 | 21,7 | 25,7 | 530 | 40 | 240 | 100 | 7 | M6 x 20 | 17 | 0,34 | 83 | 72 | 68 | 580 |
| 32 | x | 60 | 68 | 37 | 31 | 21,7 | 25,7 | 740 | 50 | 270 | 110 | 9 | M6 x 20 | 17 | 0,41 | 95 | 81 | 75 | 810 |
| 35 | x | 60 | 68 | 37 | 31 | 21,7 | 25,7 | 810 | 50 | 250 | 110 | 9 | M6 x 20 | 17 | 0,38 | 95 | 81 | 75 | 890 |
| 38 | x | 65 | 73 | 37 | 31 | 21,7 | 25,7 | 890 | 50 | 230 | 100 | 10 | M6 x 20 | 17 | 0,44 | 99 | 86 | 80 | 970 |
| 40 | x | 65 | 73 | 37 | 31 | 21,7 | 25,7 | 940 | 50 | 220 | 100 | 10 | M6 x 20 | 17 | 0,41 | 99 | 86 | 80 | 1030 |
| 42 | x | 75 | 83 | 46 | 38 | 25,3 | 30,3 | 1730 | 80 | 300 | 130 | 9 | M8 x 25 | 41 | 0,76 | 137 | 110 | 100 | 1900 |
| 45 | x | 75 | 83 | 46 | 38 | 25,3 | 30,3 | 1860 | 80 | 280 | 130 | 9 | M8 x 25 | 41 | 0,7 | 137 | 110 | 100 | 2040 |
| 48 | x | 80 | 88 | 46 | 38 | 25,3 | 30,3 | 1980 | 80 | 270 | 130 | 9 | M8 x 25 | 41 | 0,8 | 140 | 114 | 105 | 2170 |
| 50 | x | 80 | 88 | 46 | 38 | 25,3 | 30,3 | 2070 | 80 | 260 | 130 | 9 | M8 x 25 | 41 | 0,76 | 140 | 114 | 105 | 2270 |
| 55 | x | 85 | 95 | 46 | 38 | 25,3 | 30,3 | 2540 | 90 | 270 | 140 | 10 | M8 x 25 | 41 | 0,82 | 159 | 126 | 114 | 2790 |
| 60 | x | 90 | 100 | 46 | 38 | 25,3 | 30,3 | 2770 | 90 | 250 | 130 | 10 | M8 x 25 | 41 | 0,88 | 161 | 130 | 118 | 3040 |
| 65 | x | 95 | 105 | 46 | 38 | 25,3 | 30,3 | 3580 | 110 | 260 | 140 | 12 | M8 x 25 | 41 | 0,94 | 181 | 142 | 128 | 3930 |
| 70 | x | 110 | 120 | 60 | 50 | 33,4 | 40,4 | 5100 | 140 | 240 | 130 | 10 | M10 x 35 | 83 | 2,1 | 195 | 158 | 144 | 5610 |
| 75 | x | 115 | 125 | 60 | 50 | 33,4 | 40,4 | 5460 | 140 | 230 | 120 | 10 | M10 x 35 | 83 | 2,2 | 194 | 161 | 148 | 6000 |
| 80 | x | 120 | 130 | 60 | 50 | 33,4 | 40,4 | 5850 | 140 | 210 | 110 | 10 | M10 x 35 | 83 | 2,3 | 195 | 164 | 152 | 6430 |
| 85 | x | 125 | 135 | 60 | 50 | 33,4 | 40,4 | 7450 | 180 | 230 | 130 | 12 | M10 x 35 | 83 | 2,4 | 222 | 180 | 164 | 8190 |
| 90 | x | 130 | 140 | 60 | 50 | 33,4 | 40,4 | 7900 | 180 | 220 | 120 | 12 | M10 x 35 | 83 | 2,6 | 225 | 184 | 168 | 8690 |
| 95 | x | 135 | 145 | 60 | 50 | 33,4 | 40,4 | 9900 | 210 | 260 | 150 | 15 | M10 x 35 | 83 | 2,7 | 269 | 207 | 185 | 10890 |

To continue see next page

Locking Assemblies RINGFEDER® RfN 7013.1

| Locking Assembly dimensions | | | | | | | | Transmissible torques or axial forces | | Surface pressure | | Locking screws | | | D _{N min} at Rp0,2 | | | T _{max} | |
|-----------------------------|---|-----|-----------------|----|----------------|----------------|----------------|---------------------------------------|-----------------|-------------------------|-----------------------|-----------------|----------------|----------------|-----------------------------|---|-----|------------------|-------|
| d | x | D | D _{B1} | L | L ₁ | L ₃ | L ₄ | T | F _{ax} | Shaft p _w | Hub p _N | n _{Sc} | D _G | T _A | G _w | 200 300 400 [N/mm ²] | | | |
| mm | | mm | | | | | | Nm | kN | N/mm ² | | | | Nm | kg | mm | | | Nm |
| 100 | x | 145 | 155 | 68 | 58 | 40,8 | 47,8 | 11000 | 220 | 190 | 110 | 15 | M10 x 35 | 83 | 3,7 | 238 | 199 | 184 | 12100 |
| 110 | x | 155 | 165 | 68 | 58 | 40,8 | 47,8 | 12100 | 220 | 180 | 110 | 15 | M10 x 35 | 83 | 4 | 246 | 209 | 194 | 13310 |
| 120 | x | 165 | 175 | 68 | 58 | 40,8 | 47,8 | 15700 | 260 | 190 | 120 | 18 | M10 x 35 | 83 | 4,3 | 279 | 231 | 212 | 17270 |
| 130 | x | 180 | 190 | 77 | 65 | 45,4 | 52,4 | 20700 | 320 | 190 | 120 | 15 | M12 x 40 | 145 | 5,9 | 305 | 252 | 231 | 22770 |
| 140 | x | 190 | 200 | 77 | 65 | 45,4 | 52,4 | 22500 | 320 | 180 | 110 | 15 | M12 x 40 | 145 | 6,3 | 312 | 261 | 241 | 24750 |
| 150 | x | 200 | 210 | 77 | 65 | 45,4 | 52,4 | 28500 | 380 | 200 | 130 | 18 | M12 x 40 | 145 | 6,7 | 357 | 288 | 262 | 31350 |

More sizes on request

Explanation

| | | |
|---|--|--|
| d = Inner diameter | T = Transmissible torque at given T _A | T_A = Tightening torque of the clamping screws |
| D = Outer diameter | F_{ax} = Transmissible axial force | G_w = Weight |
| D_{B1} = Collar outer diameter | p_w = Surface pressure on shaft at given T _A | D_{N min} = Min. hub outer diam. depending of the given hub yield point Rp0,2 |
| L = Overall length | p_N = Surface pressure on hub at given T _A | T_{max} = Max. transmissible torque |
| L₁ = Overall length (without screws) | n_{Sc} = Quantity of screws | |
| L₃ = Width of ring | D_G = Thread | |
| L₄ = Installation length up to collar | | |

Ordering example

| Locking assembly | d | D |
|------------------|-----|-----|
| RfN 7013.1 | 150 | 200 |

Technical Information

- The Locking Assemblies are supplied slightly oiled and ready-to-use. The values for T, F_{ax}, p_w and p_N apply to Locking Assemblies installed in the delivery condition.
- Surface finishes: Shaft and hub bores R_a ≤ 1,6 μm
- Tolerances: Shaft: h8 · Hub: H8
- Arrangement only possible from 2 sides. If several Locking Assemblies are used to increase the transmission values the clamping systematization has to be considered.
- A change of the T_A-values given in the above table is not admissible.
- The outside diameter of the hub is calculated with factor C3 = 0.6. (see chapter „Calculation“ in Product Paper & Tech Paper „RINGFEDER® Locking Assemblies“).

Further information on
RINGFEDER® RfN 7013.1
 on www.ringfeder.com

Disclaimer of liability

All technical details and notes are non-binding and cannot be used as a basis for legal claims. The user is obligated to determine whether the represented products meet his requirements. We reserve the right carry out modifications at any time in the interests of technical progress.