

EXPLODED VIEW & PARTS LISTING

Air Operated Double Diaphragm pump

Model : NDP-P50BV.

Yamada Europe B.V.



Material: PVDF (Polyvinylidene fluoride Conductive)

Special tools sold separately:
771868—Disk remover

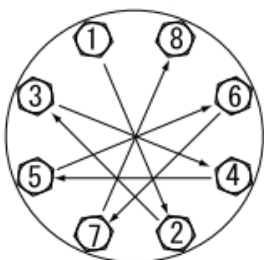
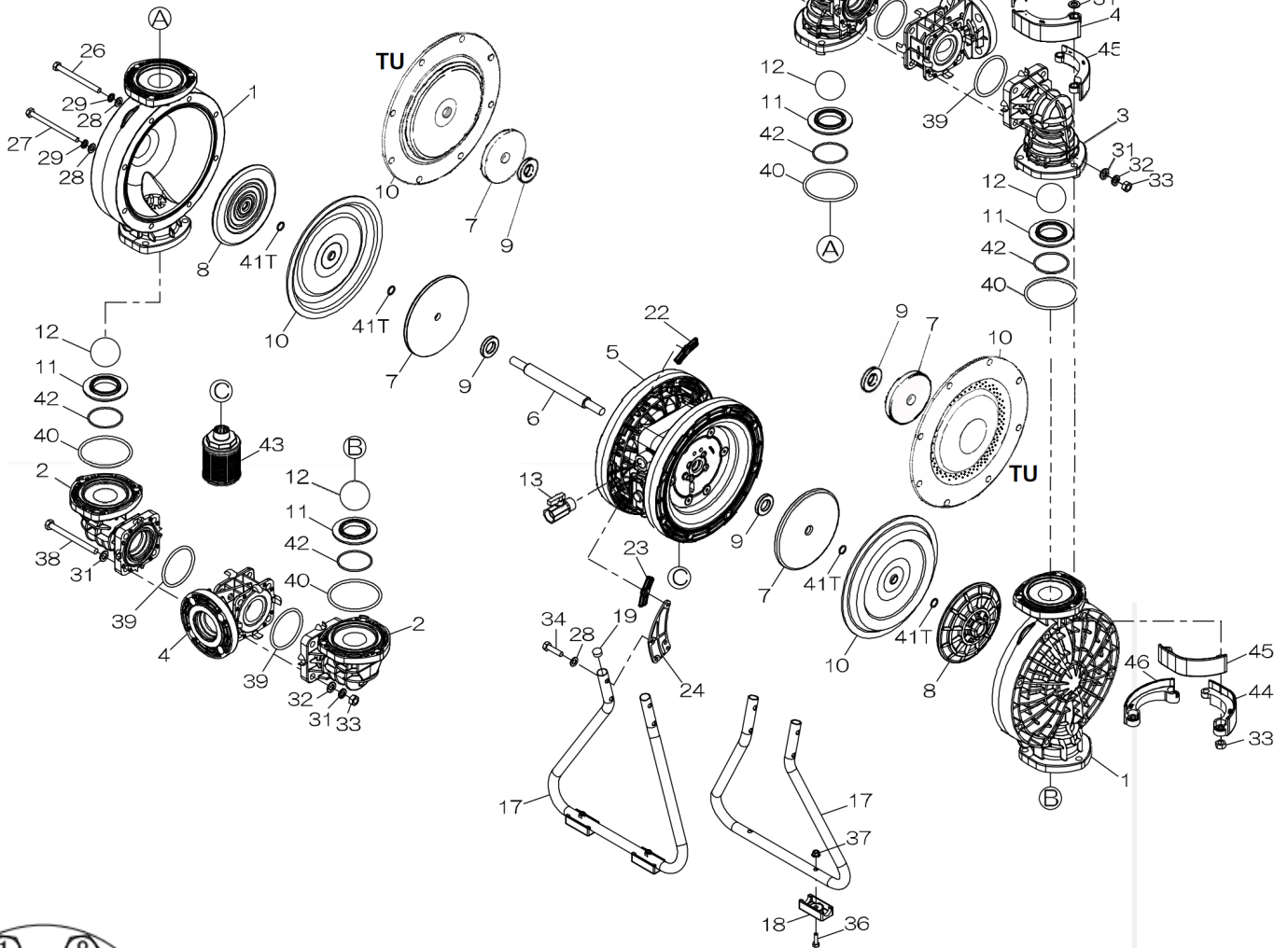
713180—Sleeve remover

Plastic hammer
Sleeve remover
VALVE BODY
SLEEVE



To Purchase: 0031 (0)74 242 2032
 sales@yamada.nl

More information: YouTube: @yamadapump
 yamada-europe.com



Tighting torque for:
 Center rod: 50 Nm
 Center rod TU: Hand tight
 Out chamber: 35 Nm
 Manifold: 20 Nm

Special tools (sold seperately)
 771868 Disk remover
 713180 Sleeve remover

Miscellaneous:
 Assembly oil: use turbine oil none additional class 1
 Equiv. to ISO VGA32 grade
 Use Urea grease grade NLGI No. 2

EXPLODED VIEW & PARTS LISTING

Model : NDP-P50BV.

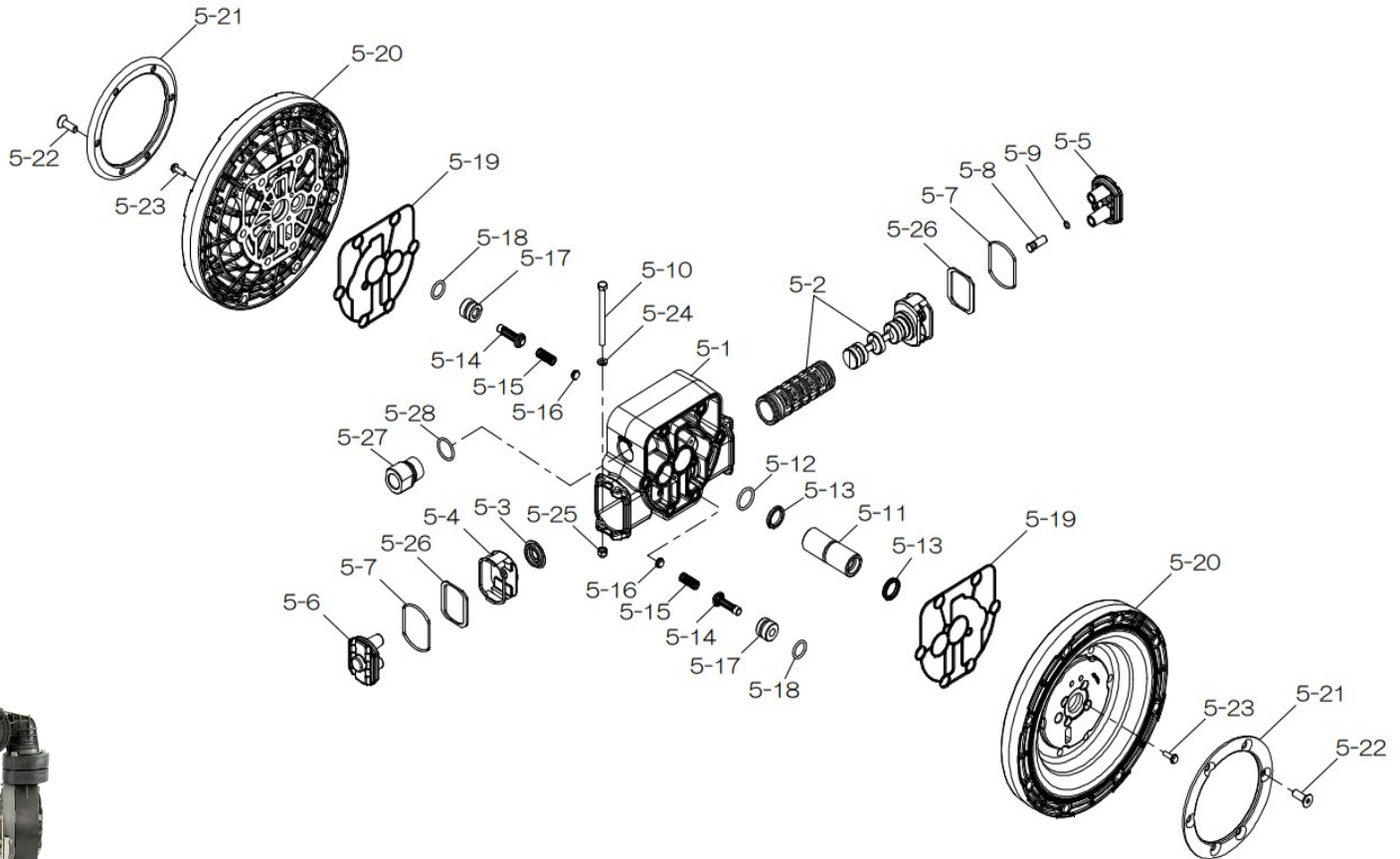
Yamada Europe B.V.



Air Operated Double Diaphragm pump

Material: PVDF (Polyvinylideenfluoride Conductive)

Body Assembly



DIAPHRAGM

Design

EPDM	HYTREL	SANTOPRENE	FPM	PTFE	PTFE-EPDM
BVE	BVH	BVS	BVV	BVT	BVTU
854843	854846	854847	854844	854845	YE Original

REF. No.	DESCRIPTION	Q'TY.	Part No.
5- 1	VALVE BODY ASSY	1	833120
5- 2	C SPOOL ASSY	1	805063
5-2-1	O-RING SLEEVE	6	640037
5- 3	CUSHION	1	771923
5- 4	SPRING RETAINER	1	771735
5- 5	CAP A	1	773249
5- 6	CAP B	1	773250
5- 7	GASKET B	2	773252
5- 8	RESET BUTTON	1	773259
5- 9	O RING	1	640005
5-10	BOLT	4	621167
5-11	THROAT BEARING	1	773253
5-12	O RING	1	640027
5-13	PACKING	2	685444
5-14	PILOT VALVE ASSY	2	832162
5-15	SPRING	2	711937
5-16	SPRING SEAT	2	773257
5-17	VALVE SEAT	2	773254
5-18	O RING	2	640020
5-19	GASKET A	2	773251
5-20	AIR CHAMBER	2	780294
5-21	REINFORCEMENT PLATE	2	717073
5-22	BOLT	12	686748
5-23	TAPPING SCREW	8	686747
5-24	PLAIN WASHER	4	631173
5-25	NUT	4	686783
5-26	SPACER	2	773334
5-27	UNION	1	773256
5-28	O RING	1	640131
KIT	AIR MOTOR		KP50-AM
KIT	AIR MOTOR SEAL		KP/50-AMS

EXPLODED VIEW & PARTS LISTING

Model : NDP-P50BV.

Yamada Europe B.V.



Air Operated Double Diaphragm pump

Material: PVDF (Polyvinylidene fluoride Conductive)

DIAPHRAGM

Design #

EPDM	HYTREL	SANTOPRENE	FPM	PTFE	PTFE-EPDM
BVE	BVH	BVS	BVV	BVT	BVTU
854843	854846	854847	854844	854845	YE Original



REF. No.	DESCRIPTION	Q'TY.	Part No.	Part No.	Part No.	Part No.	Part No.	Part No.
1	OUT CHAMBER	2	780153	780153	780153	780153	780153	780153
2	IN MANIFOLD	2	780252	780252	780252	780252	780252	780252
3	OUT MANIFOLD	2	780154	780154	780154	780154	780154	780154
4	CENTER MANIFOLD	2	780115	780115	780115	780115	780115	780115
5	BODY ASSY	1	805072	805072	805072	805072	805072	805072
6	CENTER ROD	1	711900	711900	711900	711900	711939	717130
7	CENTER DISK	2	711905	711905	711905	711905	707823	717133
8	CENTER DISK	2	771901	771901	771901	771901	780116	780116
9	CUSHION	2	770582	770582	770582	770582	—	773435
10	DIAPHRAGM	2	771856	771703	771976	771800	770815	833220
11	VALVE SEAT	4	772100	772100	772100	772100	772100	772100
12	BALL	4	770633	773143	773173	770636	770693	770693
13	VALVE	1	686973	686973	686973	686973	686973	686973
17	STAND	2	716885	716885	716885	716885	716885	716885
18	RUBBER FOOT	4	771865	771865	771865	771865	771865	771865
19	CAP	4	683641	683641	683641	683641	683641	683641
22	SUPPORTING PLATE A	8	716883	716883	716883	716883	716883	716883
23	SUPPORTING PLATE B	8	716884	716884	716884	716884	716884	716884
24	CONNECTING PLATE	4	717113	717113	717113	717113	717113	717113
26	BOLT	8	686696	686696	686696	686696	686696	686696
27	BOLT	8	686997	686997	686997	686997	686997	686997
28	PLAIN WASHER	24	631330	631330	631330	631330	631330	631330
29	SPRING WASHER	16	680257	680257	680257	680257	680257	680257
30	BOLT	12	621213	621213	621213	621213	621213	621213
31	PLAIN WASHER	32	631331	631331	631331	631331	631331	631331
32	SPRING WASHER	20	680607	680607	680607	680607	680607	680607
33	NUT	20	628014	628014	628014	628014	628014	628014
34	BOLT	8	621177	621177	621177	621177	621177	621177
36	BOLT	4	621149	621149	621149	621149	621149	621149
37	FLANGED NUT	4	683837	683837	683837	683837	683837	683837
38	BOLT	8	684592	684592	684592	684592	684592	684592
39	O RING	4	684121	771899	771899	642064	771899	771899
40	O RING	4	684122	772063	772063	642069	772063	772063
41T	O RING	4	—	—	—	—	643015	—
42	O RING	4	685448	643139	643139	642139	643139	643139
43	MUFFLER	1	804764	804764	804764	804764	804764	804764
44	PROTECTOR A	8	771786	771786	771786	771786	771786	771786
45	PROTECTOR B	8	771787	771787	771787	771787	771787	771787
46	PROTECTOR C	8	771788	771788	771788	771788	771788	771788
KIT	DIAPHRAGM		K50D-PE	K50D-VH	K50D-VS	K50D-PV	K50D-VT	K50D-VTU
KIT	VALVE		K50V-VE	K50V-VH	K50V-VS	K50V-VV	K50V-VT	K50V-VT
KIT	WET END REPAIR		K50-PE	K50-VH	K50-VS	K50-PV	K50-VT	K50-VTU

EXPLODED VIEW & PARTS LISTING

Air Operated Double Diaphragm pump



MODEL : NDP-P50BV.

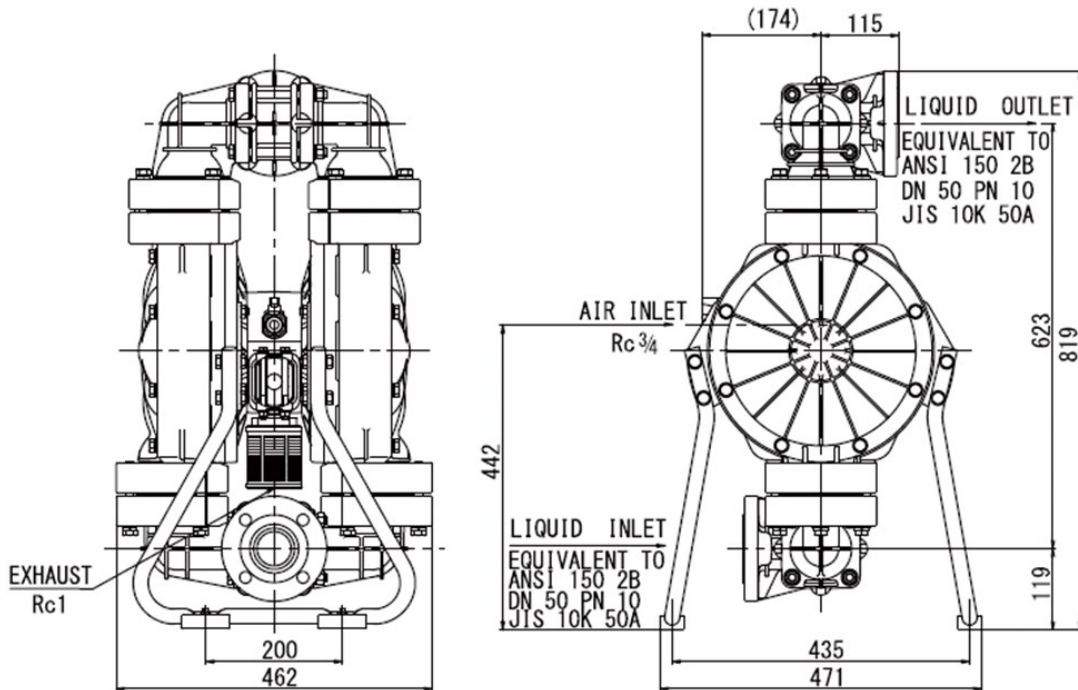
Model : NDP-P50BV.

Yamada Europe B.V.



Material: PVDF (Polyvinylidene fluoride Conductive)

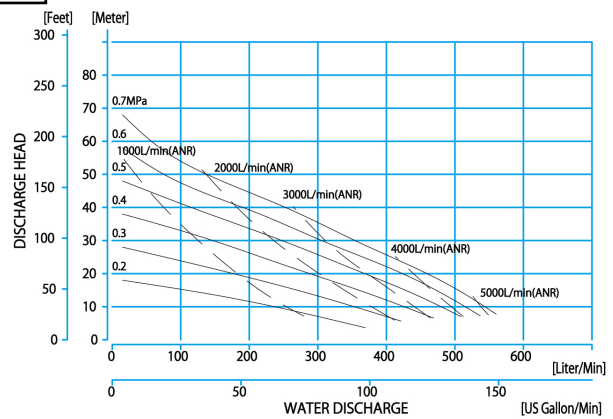
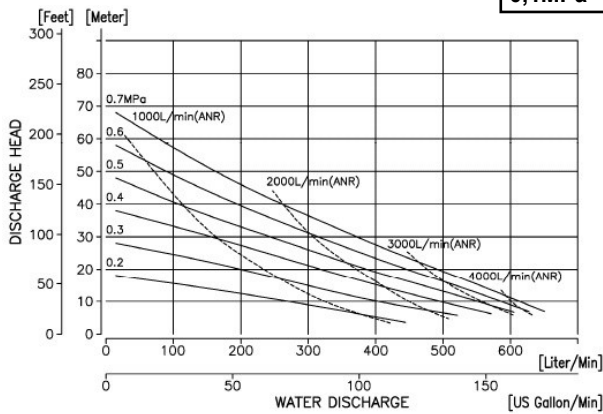
Diaphragm options	EPDM, FPM, TPEE, TPO
Max performance	630 L/min (PTFE 560 L/min, TU 580 L/min)
Manifold connection	Equivalent to DIN; Flange DN50 PN10 + Inner Rc 2"
Net Weight	43,0 kg (TU 40 kg)



NDP-P50BV.

0,1MPa = 1Bar

NDP-P50BVT



NDP-P50BVTU

