

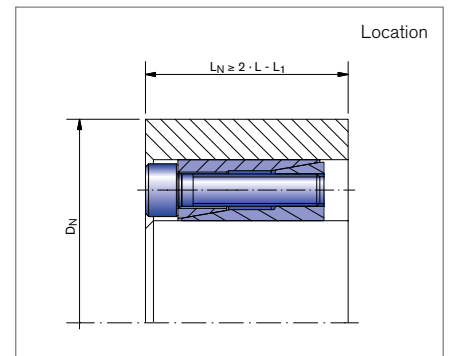
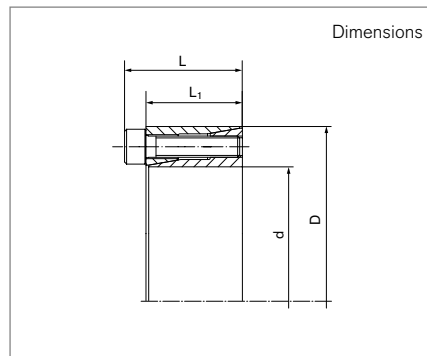
Locking Assemblies

RINGFEDER® RfN 7061

Two piece, self-centering design



self-centering without axial displacement with low surface pressure



Locking Assembly dimensions					Transmissible torques or axial forces		Surface pressure		Locking screws		
d	x	D	L	L ₁	T	F _{ax}	Shaft PW	Hub PN	n _{Sc}	D _G	T _A
mm			mm		Nm	kN	N/mm ²				Nm
6	x	16	13,5	11	6	2	150	55	3	M2,5	1,2
6,35	x	16	13,5	11	6	2	140	55	3	M2,5	1,2
7	x	17	13,5	11	8	2	125	55	3	M2,5	1,2
8	x	18	13,5	11	10	2,5	110	50	3	M2,5	1,2
9	x	20	15,5	13	15	3	120	55	4	M2,5	1,2
9,53	x	20	15,5	13	15	3	110	55	4	M2,5	1,2
10	x	20	15,5	13	15	3	110	55	4	M2,5	1,2
11	x	22	15,5	13	18	3	100	50	4	M2,5	1,2
12	x	22	15,5	13	20	3	90	50	4	M2,5	1,2
14	x	26	20	17	35	5	105	55	4	M3	2,1
15	x	28	20	17	40	5	100	50	4	M3	2,1
16	x	32	21	17	70	8	130	65	4	M4	4,9
17	x	35	25	21	75	8	120	60	4	M4	4,9
18	x	35	25	21	80	8	115	60	4	M4	4,9
19	x	35	25	21	85	8	110	60	4	M4	4,9
20	x	38	26	21	150	15	140	75	4	M5	9,7
22	x	40	26	21	160	14	130	70	4	M5	9,7
24	x	47	32	26	250	20	140	75	4	M6	17
25	x	47	32	26	260	20	135	75	4	M6	17
25,4	x	47	32	26	265	20	130	75	4	M6	17
28	x	50	32	26	440	30	185	100	6	M6	17
30	x	55	32	26	470	30	175	95	6	M6	17
32	x	55	32	26	500	30	165	95	6	M6	17
35	x	60	37	31	730	40	165	95	8	M6	17
38	x	65	37	31	800	40	155	90	8	M6	17
40	x	65	37	31	840	40	145	90	8	M6	17

To continue see next page

Locking Assemblies RINGFEDER® RfN 7061

Locking Assembly dimensions					Transmissible torques or axial forces		Surface pressure		Locking screws		
d	x	D	L	L ₁	T	F _{ax}	Shaft p _w	Hub p _N	n _{sc}	D _G	T _A
mm			mm		Nm	kN	N/mm ²				Nm
42	x	75	44	36	1200	55	165	90	6	M8	41
45	x	75	44	36	1300	55	155	90	6	M8	41
48	x	80	44	36	1850	75	195	115	8	M8	41
50	x	80	44	36	1900	75	185	115	8	M8	41

More sizes on request

Explanation

d = Inner diameter	T = Transmissible torque at given T _A	n_{sc} = Quantity of screws
D = Outer diameter	F_{ax} = Transmissible axial force	D_G = Thread
L = Overall length	p_w = Surface pressure on shaft at given T _A	T_A = Tightening torque of the clamping screws
L₁ = Overall length (without screws)	p_N = Surface pressure on hub at given T _A	

Ordering example

Locking assembly	d	D
RfN 7061	6	16

Technical Information

- Surface finishes: Shaft and hub bores R_a ≤ 1,6 μm
- Tolerances: Shaft: h8 · Hub: H8

Further information on
RINGFEDER® RfN 7061
 on www.ringfeder.com

Disclaimer of liability

All technical details and notes are non-binding and cannot be used as a basis for legal claims. The user is obligated to determine whether the represented products meet his requirements. We reserve the right carry out modifications at any time in the interests of technical progress.