

## Disc brake

## Technical data and dimensions

### Caliper 3CA2

Fail safe braking  
Braking by spring application  
Electromagnetic release  
Automatic wear compensation  
Opening proving switch  
Brake pads with wear indicator

#### Working conditions:

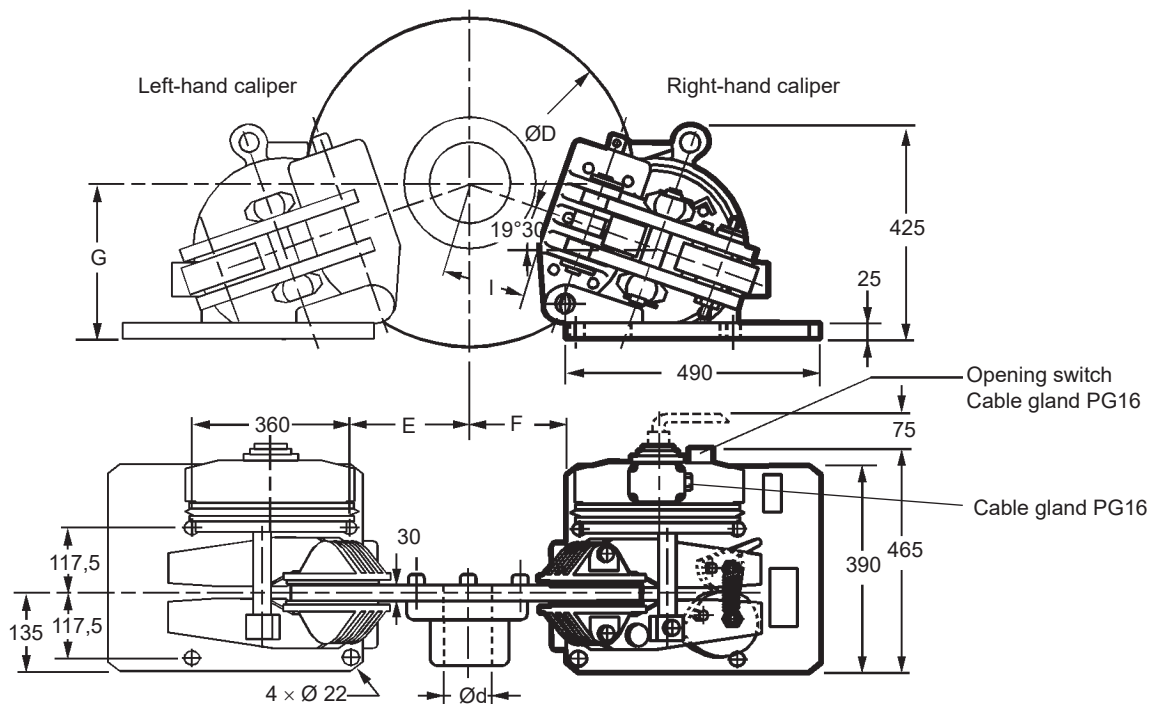
- Ambient temperature: -10°C to +60°C
  - Relative humidity ≤ 70%
  - Dust in atmosphere ≥ 65µ
- Other conditions, consult us.

#### Use:

Any application up to 1000act/h

#### Options:

- Manual release lever
- Hydraulic release
- Manual wear compensation
- Load regulated lowering
- Steelworks flameproof protection
- Marine protection
- Closing proving switch
- Switch on release nut
- Special paint



Weight: 175kg

Response time at nominal torque : see the leaflet of the associated electrical power supply.

Discs		445	495	550	625	705	795
Nominal torque for 1 caliper adjustable from -30 to +20%	N.m	1600	1850	2100	2500	2900	3350
Maximum disc speed for nominal torque	r.p.m.	2100	1900	1800	1500	1300	1200
D	mm	445	495	550	625	705	795
d	mm	0-70	0-100	0-100	0-100	0-120	0-130
E	mm	100	120	150	185	225	265
F	mm	80	100	130	165	205	245
G	mm	285	295	305	315	330	345
l (approx. dimension)	mm	90	115	145	180	225	265
Maximum reaction on shaft	1 caliper	N 12300					
	2 calipers	N 7400					

#### Technical data :

##### Opening proving switch :

250VAC maxi., 5A maxi., with interrupting capacity : 50VA maxi.

220VDC maxi., 5A maxi., with interrupting capacity : 50W maxi.

Compatible with PLC (Programmable Logic Controllers).

An opening switch used with other equipment than PLC must not be reused with a PLC.

Due to continuous development and improvement, all dimensions and characteristics are subject to change without notice.

Discs Leaflet No. T02220-01  
Drawings No. G10047-01  
Installation and maintenance No. M10048-01  
Spare parts No. S10048-01

Options

Power supplies AC32 No. T10005-01 / T10006-01 / T10007-01 / T10008-01

Leaflet No. A10048-01

09/04/19

**T10050-01-D**