

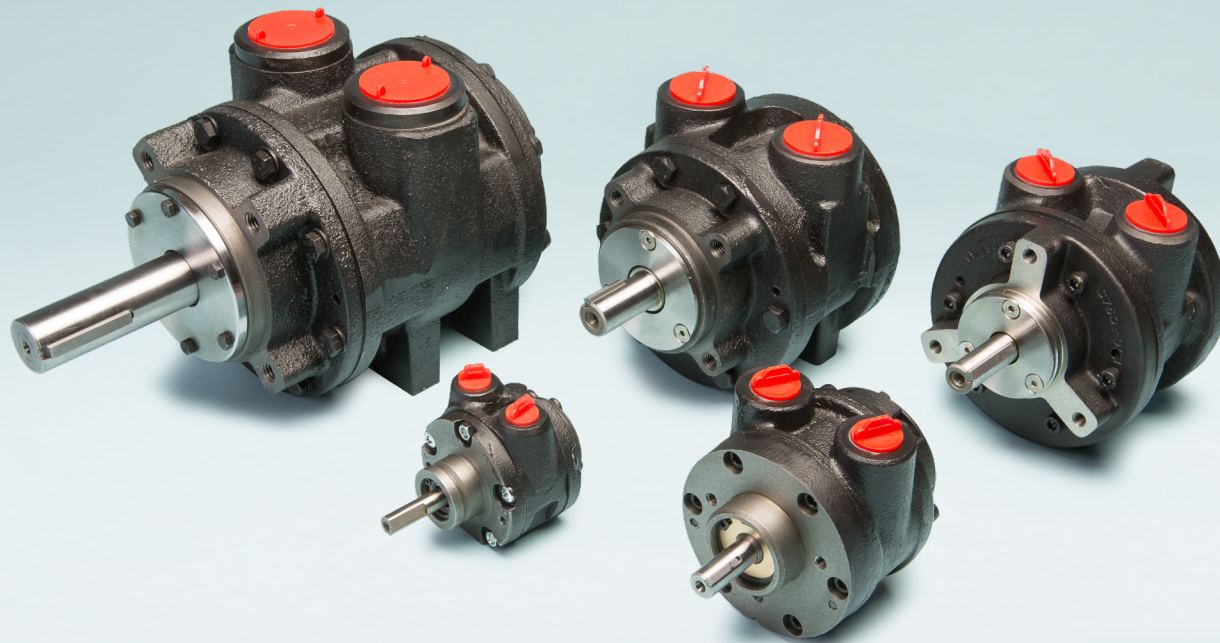


**GLOBE** AIRMOTORS B.V.

GLOBE Airmotors | Boerhaaveweg 9-11 | NL - 2408 AD Alphen a/d Rijn | Tel +31 172 426 608 | info@globe-benelux.nl

## Specifications: VS12C | VA12C

Vane Air Motor

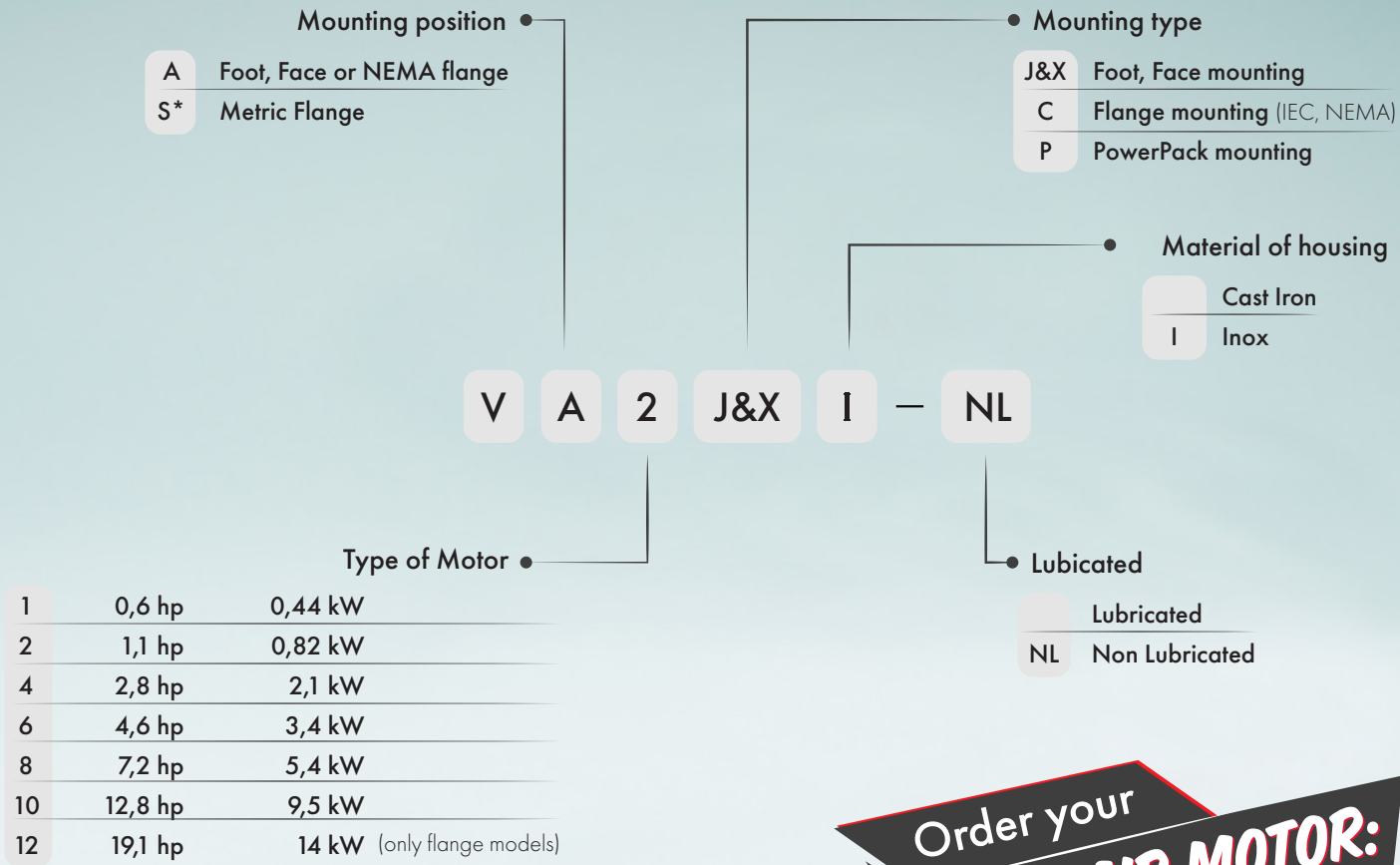


Order your  
**VANE AIR MOTOR:**  
[info@globe-benelux.nl](mailto:info@globe-benelux.nl)

<b>Contents</b>	
Performance	3
Main dimensions VS12C	3
Main dimensions VA12C	4
Accessories for the V12	5

CE UK CA Ex II 2G Ex h IIC T4 Gb  
II 2D Ex h III C T135°C Db  
-20° ≤ Ta ≤ +60°C

## Ordering Code



Order your  
**VANE AIR MOTOR:**  
[orders@globe-benelux.nl](mailto:orders@globe-benelux.nl)

All our Vane Air Motors are delivered with the ATEX Certificate:

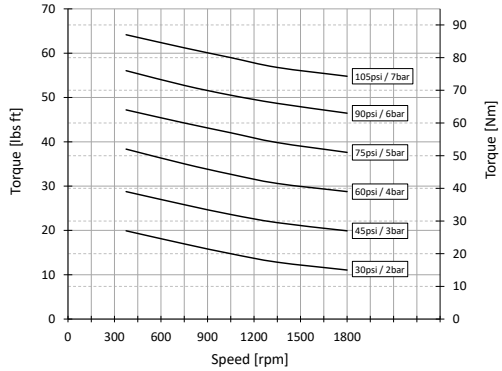
**II 2G Ex h IIC T4 Gb**  
**II 2D Ex h IIIC T135°C Db**  
 -20° ≤ Ta ≤ +60°C

\* The VS types are only available with mouting type C (for example VS8C).

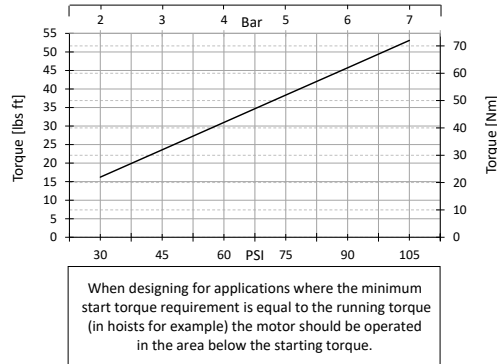
# Performances V12 Vane Air Motor

# VA12C

**TORQUE -- SPEED**

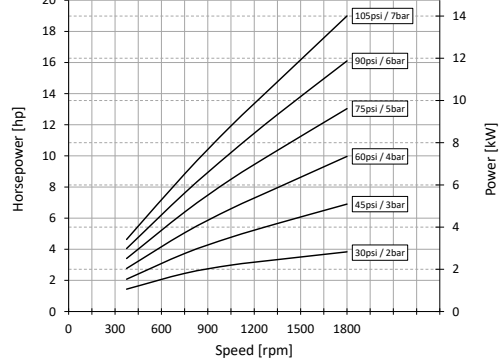


**STARTING TORQUE -- PRESSURE**

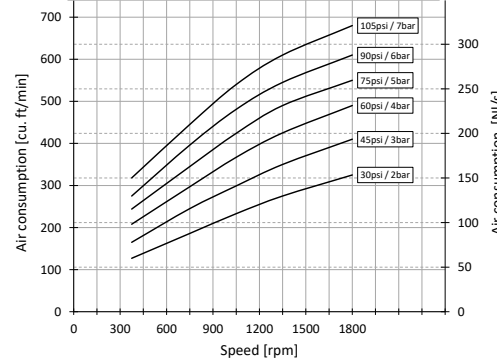


When designing for applications where the minimum start torque requirement is equal to the running torque (in hoists for example) the motor should be operated in the area below the starting torque.

**POWER -- SPEED**



**AIR CONSUMPTION -- SPEED**



- » Silencer supplied with motor.
- » Motor is reversible.
- » Maximum temperature -20°C to +60°C (-4°F to +140°F).
- » Maximum temperature for non ATEX applications: -20°C to +80°C (-4°F to +176°F).
- » A pressure regulator should be used to control the air pressure to the motor, to limit the maximum output torque applied to the driven assembly.

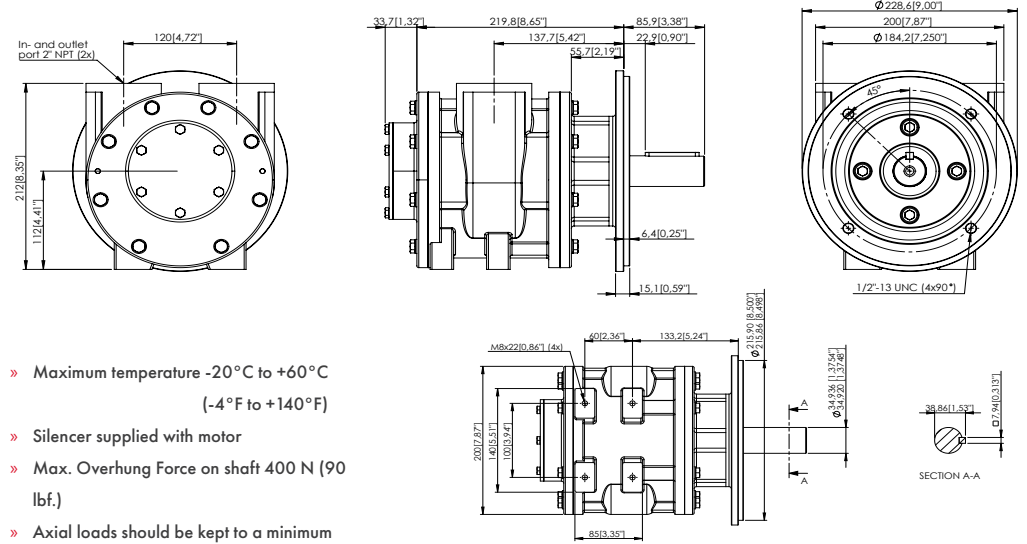
**Airsupply lubrication and filtration:**

Use 64 micron filtration or better. Choose a lubricator suitable for the flow required. Prior to initial startup, inject oil into the inlet port.

Lubricator drop rate 12-14 drop / minute continuous operations  
 Lubricator drop rate 18-20 drop / minute intermittent operation.

**Maximum speed 1800 rpm**

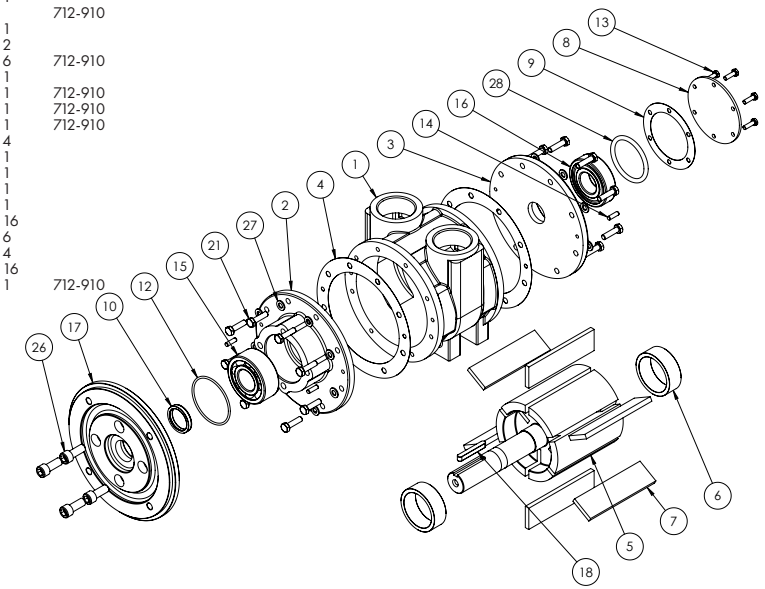
Life time depends highly on operational speed and air pressure.



- » Maximum temperature -20°C to +60°C (-4°F to +140°F)
- » Silencer supplied with motor
- » Max. Overhung Force on shaft 400 N (90 lbf.)
- » Axial loads should be kept to a minimum

**Note: With air inlet at port 'A', rotation is clockwise looking on shaft. For opposite rotation reverse ports.**

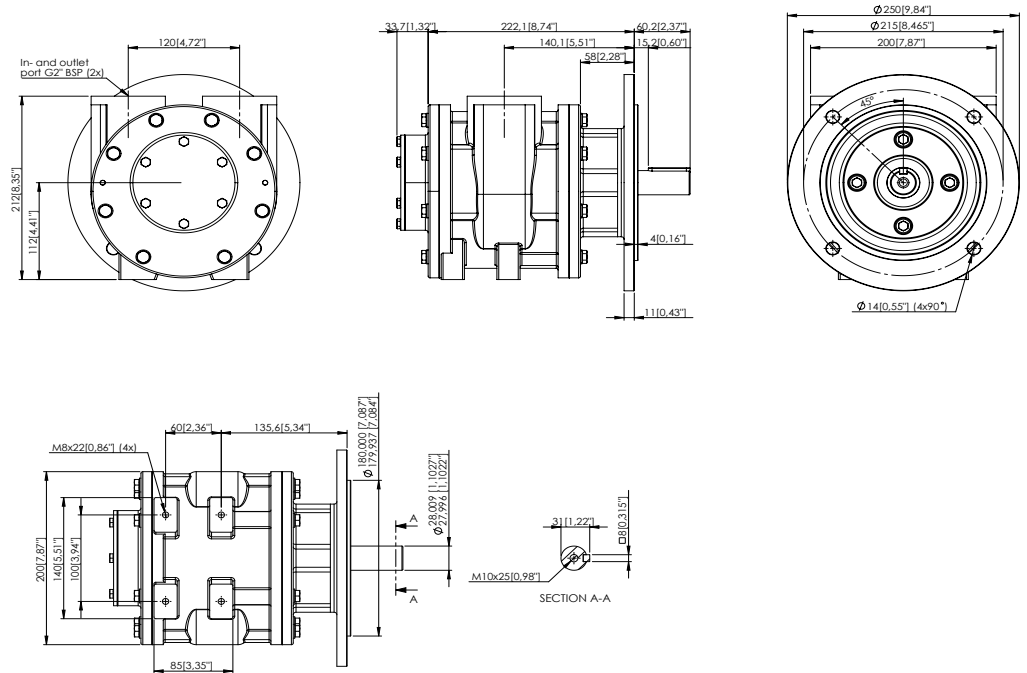
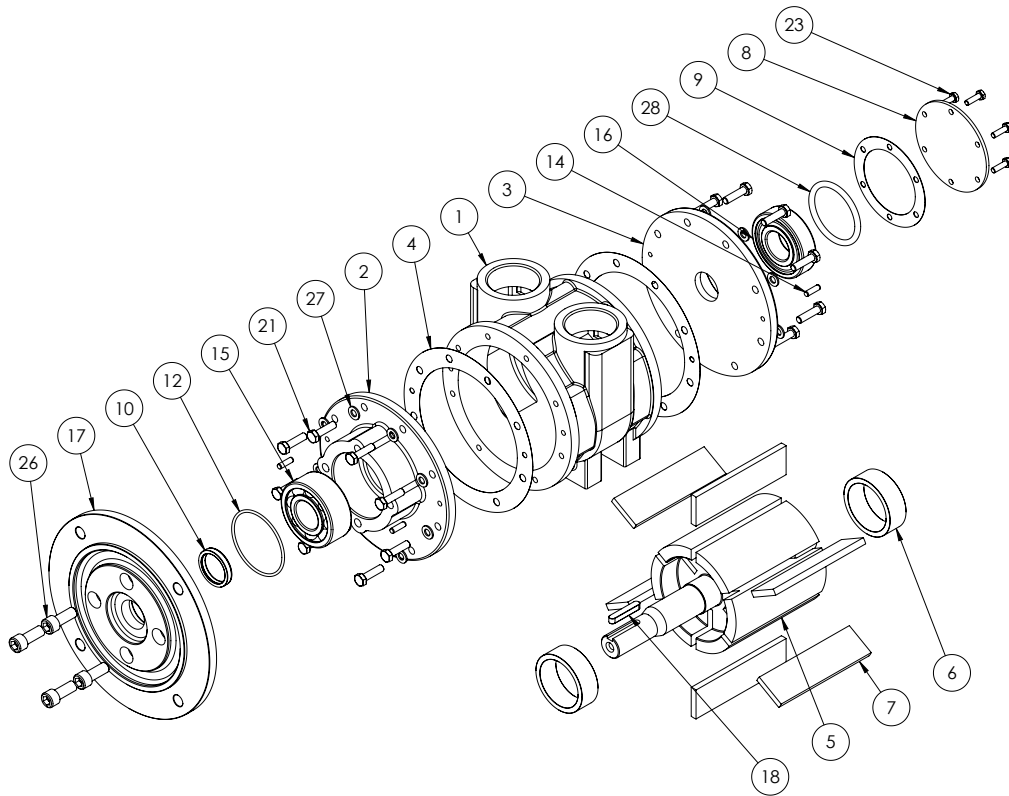
Item	Part No.	Description	Qty	Kit No.
1	712-001	Body NPT	1	
2	712-026	Front plate	1	
3	712-002	Back plate	1	
4	712-062	Gasket	1	712-910
5	712-910	Rotor	1	
6	712-006	Ejection ring	2	
7	712-005	Rotor blade	6	712-910
8	712-008	Cover plate	1	
9	712-009	Gasket	1	712-910
10	808-063	Shaft seal	1	712-910
12	808-040	O-ring	1	712-910
14	806-018	Dowel pin	4	
15	807-039	Bearing	1	
16	807-029	Bearing	1	
17	712-018	Flange	1	
18	811-026	Key	1	
21	802-034	Screw	16	
23	802-011	Screw	6	
26	809-019	Screw	4	
27	803-019	Washer	16	
28	808-041	O-ring	1	
	712-910	V12 Seal Kit		



# VS12C

Note: With air inlet at port 'A', rotation is clockwise looking on shaft.

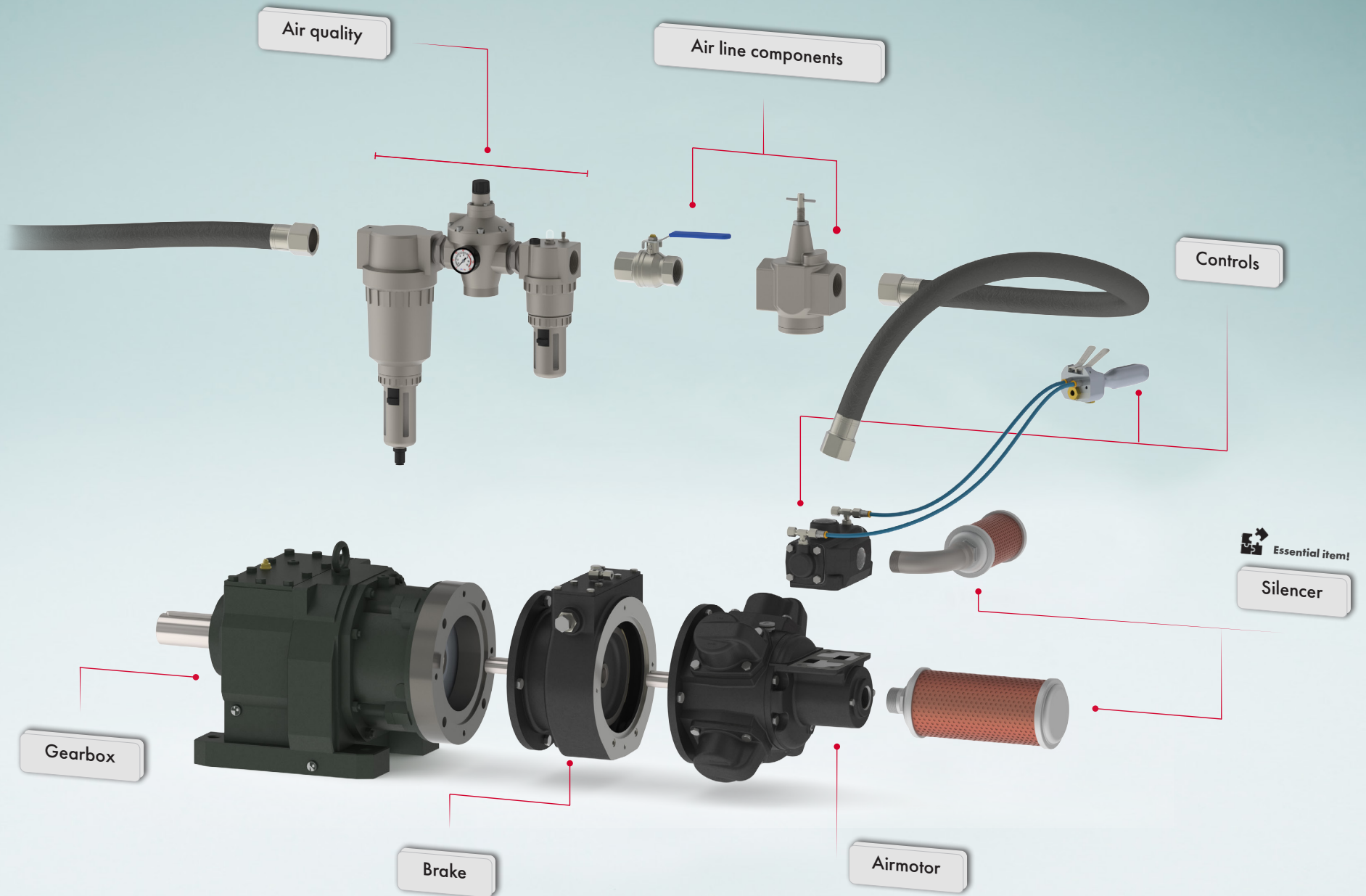
For opposite rotation, reverse ports.



Item	Part No.	Description	Qty	Kit No.
1	712-101	Body BSP	1	
2	712-026	Front plate	1	
3	712-002	Back plate	1	
4	712-062	Gasket	1	712-910
5	712-923	Rotor	1	
6	712-006	Ejection ring	2	
7	712-005	Rotor blade	6	712-910
8	712-008	Cover plate	1	
9	712-009	Gasket	1	712-910
10	808-063	Shaft seal	1	712-910
12	808-040	O-ring	1	712-910
14	806-018	Dowel pin	4	
15	807-039	Bearing	1	
16	807-029	Bearing	1	
17	712-036	Flange	1	
18	811-033	Key	1	
21	802-034	Screw	16	
23	802-011	Screw	6	
26	809-019	Screw	4	
27	803-019	Washer	16	
28	808-041	O-ring	1	712-910
712-910		V12 Seal Kit		

- » Maximum temperature -20°C to +60°C (-4°F to +140°F)
- » Silencer supplied with motor
- » Max. Overhung Force on shaft 400 N (90 lbf.)
- » Axial loads should be kept to a minimum

# Accessories for the GLOBE Air Motor



For specifications, see next page.



## Accessories for the GLOBE V12 Vane Air Motor

Complete your V12 Vane Air Motor with many different accessories. Order your GLOBE air motor with the desired options, and have it delivered to you completely assembled. In addition, you are assured of GLOBE quality for your air motor and assembly.



For  
VA12C VS12C

Many of our accessories, including the brakes, are ATEX certified. With the GLOBE air motors & accessories you can always work safely in explosion-prone areas. See below which options we offer for your air motor.

### Controls

We offer many different control valves for our air motors. For example we supply proportional control valves which are mounted directly onto the air motor. They allow you to not only change the direction of the motor, but also the speed of the motor. Besides the proportional control valves we also offer standard control valves suitable for our air motors.

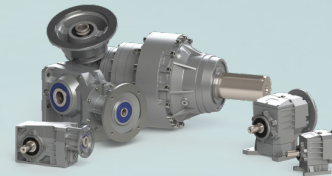
The following control valves are available for the GLOBE V12 Vane Air Motor:

#### Hand Controlled

ART. NR  
523-900

#### Remote Controlled

ART. NR  
521-900



### Gearbox

The GLOBE vane air motors are available with worm, coaxial and planetary gearboxes. The gearboxes are mounted directly onto the vane motors. This design makes them compact and well protected from external influences. The gearboxes are compatible with all our vane airmotors, available in stainless steel and with ATEX-Certification.

The following gearboxes are available for the GLOBE V12 Vane Air Motor:

#### Worm

#### Planetary

#### Coaxial

#### PGF

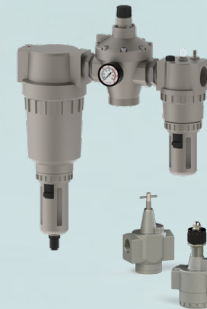
### Brakes

The combination of motor with brake is widely used for winches, cranes and positioning devices. The ATEX approved brakes within the GLOBE program have a very compact built and are very robust. All brakes are built from cast iron or steel housings and are easy to install on our air motors and gearboxes.

#### BN300

Holding Torque	14 Nm / 13,3 lbs ft.
Release pressure	3,4 bar / 50 PSI
Flange type	71 B5
Mounting options	IEC, NEMA

ART. NR  
A414BN300



### Air quality & Air line components

FRL systems combine a shut off valve, filter, regulator and a lubricator in a ready to use set. It provides you with clean air and an efficient system that will extend the service life of air-powered tools and equipment. By using a speed control valve, you can set your air motor to a desired RPM without reducing its torque. It allows large airflows to pass while minimizing pressure loss at the same time.

#### 1 1/2" FRL Unit

Port size	1 1/2 inch
Max. operating pressure	10 bar / 145 PSI
Housing material	Aluminium
Weight	1.41 KG / 3.11 lb

#### Speed regulator

Port size	1 1/2 - 2inch
Port thread	NPT / BSP

### Service Kits

Regular maintenance is important to ensure a long service life of your vane air motor. Our service kits are specifically designed for your vane air motor. One servicekit contains everything you need for a service maintenance. We recommend to always have at least one service kit available in case of unexpected maintenance.

ART. NR  
712-950



Essential item!

### 2" Silencer

An air motor may produce noise that can be harmful to surrounding workers and/or cause noise problems in the application. The GLOBE Pneumatic air silencers are a simple and cost-effective solution to reduce noise levels and unwanted discharge of contaminants.

A GLOBE Silencer is required for optimal reach of maximum power. Choosing a GLOBE Silencer over other brands can prevent loss of power or motor malfunctions. The GLOBE silencers are designed specifically for our motors.

ART. NR  
A31820010