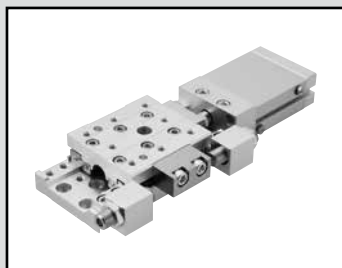


LCM
 LCR
 LCG
 LCW
LCX
 STM
 STG
 STS/STL
 STR2
 UCA2
 ULK*
 JSK/M2
 JSG
 JSC3/JSC4
 USSD
 UFCD
 USC
 UB
 JSB3
 LMB
 LML
 HCM
 HCA
 LBC
 CAC4
 UCAC2
 CAC-N
 UCAC-N
 RCS2
 RCC2
 PCC
 SHC
 MCP
 GLC
 MFC
 BBS
 RRC
 GRC
 RV3*
 NHS
 HRL
 LN
 Hand
 Chuk
 MecHnd/Chuk
 ShkAbs
 FJ
 FK
 SpdContr
 Ending



Linear slide cylinder Double acting/single rod

LCX Series

● Bore size: $\phi 25/\phi 32$



Specifications

Item		LCX	
Bore size	mm	$\phi 25$	$\phi 32$
Actuation		Double acting	
Working fluid		Compressed air	
Max. working pressure	MPa	0.7 (≈ 100 psi, 7 bar)	
Min. working pressure	MPa	0.15 (≈ 22 psi, 1.5 bar)	
Proof pressure	MPa	1.05 (≈ 150 psi, 10.5 bar)	
Ambient temperature	$^{\circ}\text{C}$	-10 (14°F) to 60 (140°F) (no freezing) (*1)	
Port size		M5	
Stroke tolerance	mm	+2.0 0 (*2)	
Working piston speed	mm/s	20 to 500 (*3)	
Cushion		With rubber cushion	
Lubrication		Not available	
Allowable absorbed energy	J	Refer to Table 3 on page 299.	

*1: Contact CKD if the use environment is always cold (5°C or below) or hot (40°C and above).

*2: Note that there will be a slight gap between the plate and floating bush if no stopper is attached.

*3: Keep within 20 to 200 mm/s when using a metal stopper.

Stroke length

Bore size (mm)	Standard stroke length (mm)
$\phi 25$	10, 20, 30, 40, 50
$\phi 32$	10, 20, 30, 40, 50

Note: Products with stroke lengths other than the above are not available.

Theoretical thrust table

Refer to page 298.

Switch specifications

Item	Reed 2-wire				Proximity 2-wire		Proximity 3-wire		
	T0H/T0V		T5H/T5V		T2H/T2V	T2WH/ T2WV	T3H/ T3V	T3PH/ T3PV	T3WH/ T3WV
Applications	For programmable controller, relay		For programmable controller, relay, IC circuit (without indicator lamp), serial connection		Dedicated for programmable controller		For programmable controller, relay		
Output method	-		-		-		NPN output	PNP output	NPN output
Power supply voltage	-		-		-		10 to 28 VDC		
Load voltage	12/24 VDC	110 VAC	5/12/24 VDC	110 VAC	10 to 30 VDC	24 VDC ±10%	30 VDC or less		
Load current	5 to 50 mA	7 to 20 mA	50 mA or less	20 mA or less	5 to 20 mA		100 mA or less	50 mA or less	
Indicator lamp	LED (Lit when ON)		Without indicator lamp		LED (Lit when ON)	Red/green LED (Lit when ON)	LED (Lit when ON)	Yellow LED (Lit when ON)	Red/green LED (Lit when ON)
Leakage current	0 mA				1 mA or less		10 µA or less		
Weight	g		1 m:18 3 m:49 5 m:80						

*1 : Refer to Ending Page 1 for detailed switch specifications and dimensions.

*2 : Switches other than the above models, such as switches with connectors, are also available. Refer to Ending Page 1.

*3 : The max. load current is 20 mA at 25°C. The current is lower than 20 mA if the operating ambient temperature around the switch is higher than 25°C. (5 to 10 mA at 60°C)

Cylinder weight

● Basic

(Unit: g)

Bore size (mm)	Basic Stroke length (mm)				
	10	20	30	40	50
ø25	980	1,010	1,030	1,150	1,170
ø32	1,000	1,030	1,050	1,180	1,200

● Additional weight of options

(Unit: g)

Bore size (mm)	Option/stopper code					
	S1 to S4	M1 to M4	A1 to A4	S5/S6	M5/M6	A5/A6
ø25	170			240		
ø32	170			240		

Specifications for rechargeable battery (Catalog No. CC-1226A)

LCX - ... - **P4***

● Design compatible with rechargeable battery manufacturing process.

* Contact CKD for details.

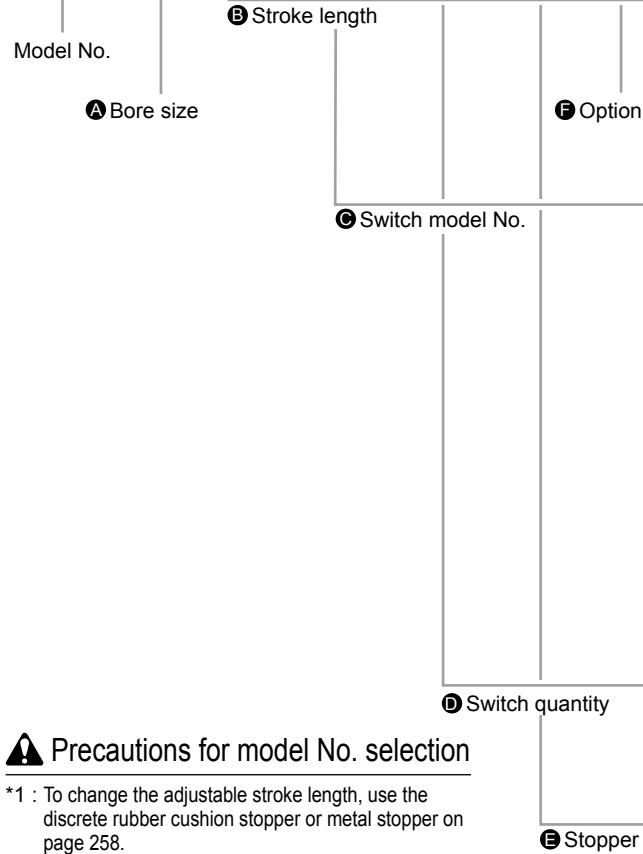
LCM
LCR
LCG
LCW
LCX
STM
STG
STS/STL
STR2
UCA2
ULK*
JSK/M2
JSG
JSC3/JSC4
USSD
UFCD
USC
UB
JSB3
LMB
LML
HCM
HCA
LBC
CAC4
UCAC2
CAC-N
UCAC-N
RCS2
RCC2
PCC
SHC
MCP
GLC
MFC
BBS
RRC
GRC
RV3*
NHS
HRL
LN
Hand
Chuk
MechHnd/Chuk
ShkAbs
FJ
FK
SpdContr
Ending

How to order

Without switch (built-in magnet for switch)



With switch (built-in magnet for switch)



⚠ Precautions for model No. selection

- *1 : To change the adjustable stroke length, use the discrete rubber cushion stopper or metal stopper on page 258.
- *2 : For the adjustable stroke range with a shock absorber stopper, refer to the stopper dimensions table on page 263.
- *3 : The steel stopper block (nitrided) (code: T) is recommended for a metal stopper.
- *4 : Combination of the rubber cushion stopper, metal stopper and shock absorber stopper is made to order.
- *5 : Keep within 20 to 200 mm/s when using a metal stopper.
- *6 : Can be selected for the type with stopper only.
- *7 : A5* and A6* cannot be selected for 10 mm stroke length.
- *8 : The positioning hole enables assembling of the crossed unit and two-stage unit without adjusting the position. Use a positioning bolt as well (page 259).
- *9 : Refer to page 259 for single cylinder model No.

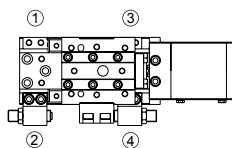
[Example of model No.]

LCX-25-40-T2H-R-A1TE

Model: Linear slide cylinder
double acting/single rod LCX

- A** Bore size : $\varnothing 25$
- B** Stroke length : 40 mm
- C** Switch model No. : Proximity/2-wire
Axial lead wire
- D** Switch quantity : 1 on rod side
- E** Stopper : Shock absorber stopper
Stopper position ①
Material, steel (nitriding)
- F** Option : With positioning hole

● Stopper position



Code	Description					
A Bore size						
25	$\varnothing 25$					
32	$\varnothing 32$					
B Stroke length (mm)						
10	10					
20	20					
30	30					
40	40					
50	50					
C Switch model No.						
Axial lead wire	Radial lead wire	Contact	Voltage	Indicator lamp	Lead wire	
T0H*	T0V*	Reed	AC	DC	1-color display	2-wire
			●	●	no indicator lamp	
T5H*	T5V*	Proximity	●	●	1-color display	3-wire
T2H*	T2V*		●	●	display	
T3H*	T3V*		●	●	1-color display (PNP output)	3-wire
T3PH*	T3PV*		●	●	2-color display	
T2WH*	T2WV*		●	●	2-wire	
T3WH*	T3WV*		●	●	3-wire	
* Lead wire length						
Blank	1 m (standard)					
3	3 m (option)					
5	5 m (option)					
D Switch quantity						
R	1 on rod side					
H	1 on head side					
D	2					
E Stopper						
Blank	Without stopper					
S Cushion stopper		*1, *4				
S1*	Stopper position ① (can be changed to ④)				Stopper installation position	
S2*	Stopper position ② (can be changed to ③)					
S3*	Stopper position ③ (can be changed to ②)					
S4*	Stopper position ④ (can be changed to ①)					
S5*	Stopper position ①,③					
S6*	Stopper position ②,④					
M Metal stopper		*1, *3, *4, *5				
M1*	Stopper position ① (can be changed to ④)				Stopper installation position	
M2*	Stopper position ② (can be changed to ③)					
M3*	Stopper position ③ (can be changed to ②)					
M4*	Stopper position ④ (can be changed to ①)					
M5*	Stopper position ①,③					
M6*	Stopper position ②,④					
A Shock absorber stopper		*2, *4, *7				
A1*	Stopper position ① (can be changed to ④)				Stopper installation position	
A2*	Stopper position ② (can be changed to ③)					
A3*	Stopper position ③ (can be changed to ②)					
A4*	Stopper position ④ (can be changed to ①)					
A5*	Stopper position ①,③					
A6*	Stopper position ②,④					
* part						
Blank	Stopper block material: steel					
T	Stopper block material: steel (nitriding) *6					
F Option						
Blank	No option					
E	With positioning hole *8					

How to order switch

SW - T2H3

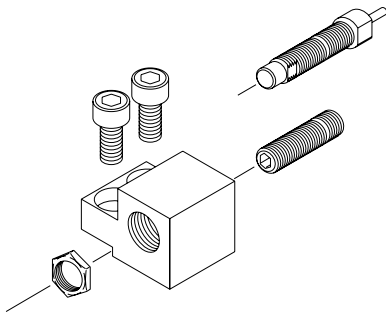
Switch model No.
(Item © on page 256)

How to order a stopper set

- Set of a stopper and rubber cushion stopper, metal stopper or shock absorber stopper
- Use when changing from the standard to the type with rubber cushion stopper, metal stopper or shock absorber stopper.

LCX - 25 - S 2 - S02

Bore size
(Item A on page 256)



A Stopper	
S	Cushion stopper
M	Metal stopper
A	Shock absorber stopper
B Stopper installation position	
1	Stopper position for ① or ④
2	Stopper position for ② or ③
C Adjustable stroke length *1	
Blank	Adjustable stroke range 10 mm
S02	Adjustable stroke range 20 mm

*1: Cannot be selected for the shock absorber stopper "A".

(Unit: g)

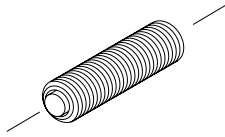
Model No.				Weight
LCX	25	S1	Blank	70
		S2	S02	80
	32	M1	Blank	70
		M2	S02	80
		A1	-	70
		A2	-	70

- LCM
- LCR
- LCG
- LCW
- LCX**
- STM
- STG
- STS/STL
- STR2
- UCA2
- ULK*
- JSK/M2
- JSG
- JSC3/JSC4
- USSD
- UFCD
- USC
- UB
- JSB3
- LMB
- LML
- HCM
- HCA
- LBC
- CAC4
- UCAC2
- CAC-N
- UCAC-N
- RCS2
- RCC2
- PCC
- SHC
- MCP
- GLC
- MFC
- BBS
- RRC
- GRC
- RV3*
- NHS
- HRL
- LN
- Hand
- Chuk
- MechHnd/Chuk
- ShkAbs
- FJ
- FK
- SpdContr
- Ending

- LCM
- LCR
- LCG
- LCW
- LCX**
- STM
- STG
- STS/STL
- STR2
- UCA2
- ULK*
- JSK/M2
- JSG
- JSC3/JSC4
- USSD
- UFCD
- USC
- UB
- JSB3
- LMB
- LML
- HCM
- HCA
- LBC
- CAC4
- UCAC2
- CAC-N
- UCAC-N
- RCS2
- RCC2
- PCC
- SHC
- MCP
- GLC
- MFC
- BBS
- RRC
- GRC
- RV3*
- NHS
- HRL
- LN
- Hand
- Chuk
- MecHnd/Chuk
- ShkAbs
- FJ
- FK
- SpdContr
- Ending

How to order discrete rubber cushion stopper

- Hexagon socket set screw with urethane
- Use when changing the adjustable stroke range or when using a custom stroke length.



LCX - 25 - S02

Bore size
(Item Ⓐ on page 256)

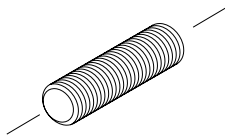
Ⓐ Adjustable stroke range	
S01	Single side 10 mm (standard)
S02	Single side 20 mm

(Unit: g)

		Model No.	Weight
LCX	25	S01	30
	32	S02	40

How to order discrete metal stopper

- Use when changing the adjustable stroke range or when using a custom stroke length.



LCX - 25 - M02

Bore size
(Item Ⓐ on page 256)

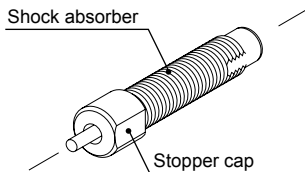
Ⓐ Adjustable stroke range	
M01	Single side 10 mm (standard)
M02	Single side 20 mm

(Unit: g)

		Model No.	Weight
LCX	25	M01	30
	32	M02	40

How to order discrete shock absorber stopper

- Set of a shock absorber and stopper cap
- Use when changing from the rubber cushion stopper or metal stopper to the shock absorber stopper.



LCX - 25 - A01

Bore size
(Item Ⓐ on page 256)

Note: For the adjustable stroke range with a shock absorber stopper, refer to page 263.

Applicable shock absorber model No.

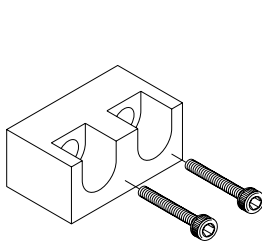
Model	Shock absorber model No.
LCX-25	NCK-00-1.2
LCX-32	NCK-00-1.2

(Unit: g)

		Model No.	Weight
LCX	25	A01	30
	32	A01	30

How to order discrete stopper block

- Use when changing from the standard to the type with rubber cushion stopper, metal stopper or shock absorber stopper.



LCX - 25 - SB1 T

Bore size
(Item A on page 256)

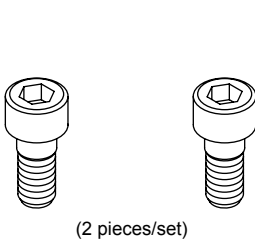
A Stopper block	
SB1	For 30, 50 mm stroke length
SB2	For 10, 20, 40 mm stroke length
B Material	
Blank	Stopper block material: steel
T	Stopper block material: steel (nitriding)

(Unit: g)

	Model No.		Weight
LCX	25	SB1(T)	80
	32	SB2(T)	100

How to order positioning bolt

- Hexagon socket head cap screw for positioning
- Enables assembling of the crossed unit and two-stage unit without adjusting the position.



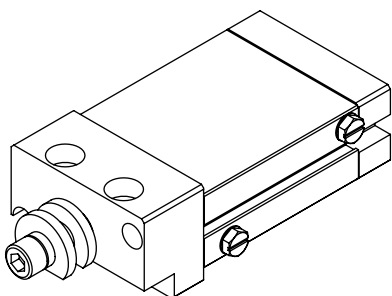
LCX - 25 - J

(Unit: g)

	Model No.		Weight
LCX	25	J	10

* Weight per set (2 pieces)

How to order single cylinder



LCX - CYL - 25 - 40

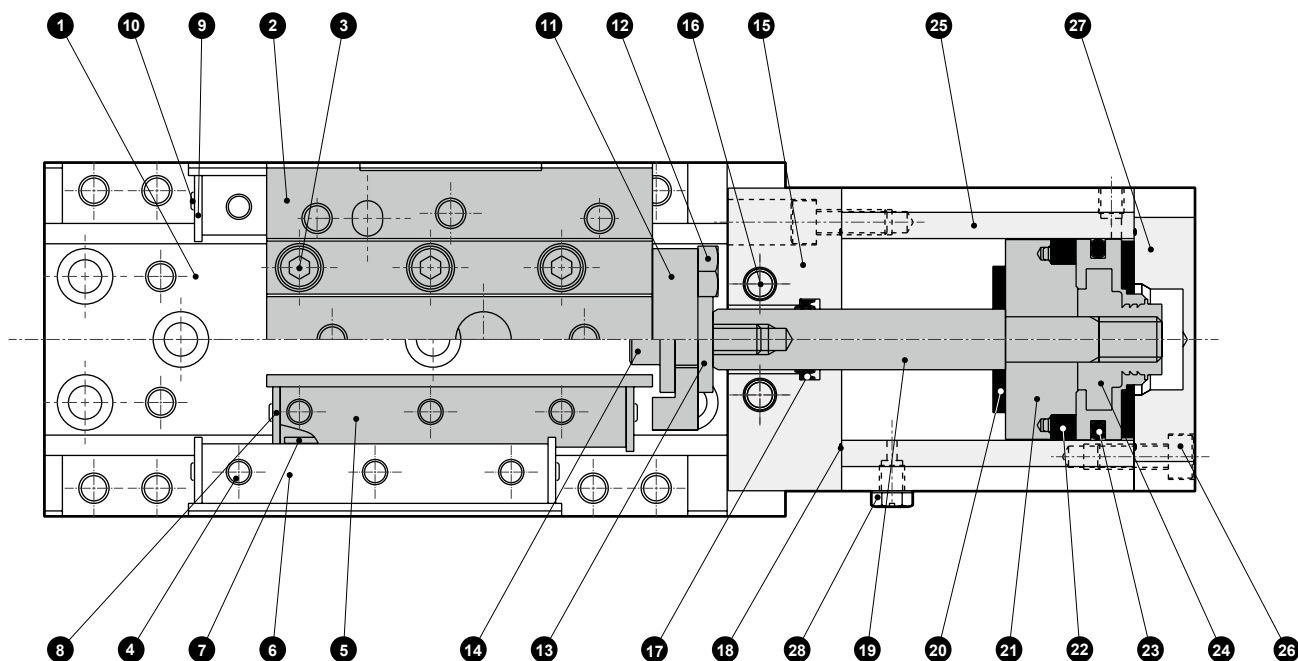
Bore size
(Item A on page 256)

Stroke length
(Item B on page 256)

- LCM
- LCR
- LCG
- LCW
- LCX**
- STM
- STG
- STS/STL
- STR2
- UCA2
- ULK*
- JSK/M2
- JSG
- JSC3/JSC4
- USSD
- UFCD
- USC
- UB
- JSB3
- LMB
- LML
- HCM
- HCA
- LBC
- CAC4
- UCAC2
- CAC-N
- UCAC-N
- RCS2
- RCC2
- PCC
- SHC
- MCP
- GLC
- MFC
- BBS
- RRC
- GRC
- RV3*
- NHS
- HRL
- LN
- Hand
- Chuk
- MechHnd/Chuk
- ShkAbs
- FJ
- FK
- SpdContr
- Ending

Internal structure and parts list

LCM
LCR
LCG
LCW
LCX
STM
STG
STS/STL
STR2
UCA2
ULK*
JSK/M2
JSG
JSC3/JSC4
USSD
UFCD
USC
UB
JSB3
LMB
LML
HCM
HCA
LBC
CAC4
UCAC2
CAC-N
UCAC-N
RCS2
RCC2
PCC
SHC
MCP
GLC
MFC
BBS
RRC
GRC
RV3*
NHS
HRL
LN
Hand
Chuk
MecHnd/Chuk
ShkAbs
FJ
FK
SpdContr
Ending



Parts list

No.	Part name	Material	Remarks	No.	Part name	Material	Remarks
1	Base	Aluminum alloy	Alumite	15	Rod cover	Aluminum alloy	Alumite
2	Table	Aluminum alloy	Alumite	16	Hexagon socket head cap screw	Alloy steel	Zinc chromate
3	Hexagon socket head cap screw	Stainless steel		17	Rod packing	Nitrile rubber	
4	Hexagon socket head cap screw	Stainless steel		18	Gasket	Nitrile rubber	
5	Guide rail (1)	Alloy steel	Black chromium film	19	Piston rod	Alloy steel	Industrial chrome plating
6	Guide rail (2)	Alloy steel	Black chromium film	20	Cushion rubber	Urethane rubber	
7	Cage	Resin		21	Spacer	Aluminum alloy	
8	Stopper (1)	Stainless steel		22	Magnet	Plastic	
9	Stopper (2)	Stainless steel		23	Piston packing	Nitrile rubber	
10	Phillips pan head machine screw	Stainless steel		24	Piston	Aluminum alloy + polyacetal	
11	Plate	Aluminum alloy	Alumite	25	Cylinder body	Aluminum alloy	Hard alumite
12	Hexagon head bolt	Stainless steel		26	Hexagon socket head cap screw	Alloy steel	Zinc chromate
13	Floating bush	Stainless steel		27	Head cover	Aluminum alloy	Alumite
14	Hexagon socket head cap screw	Alloy steel	Zinc chromate	28	Plug	Copper alloy	Nickeling

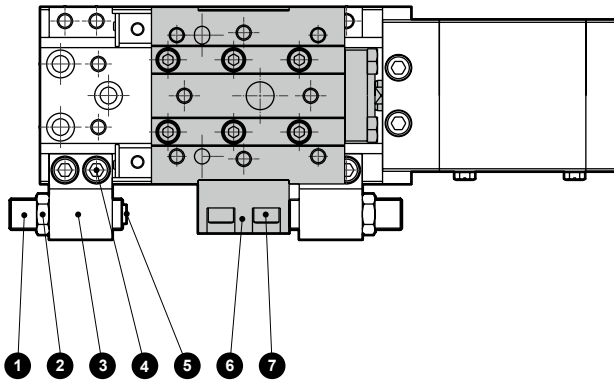
Repair parts list

Bore size (mm)	Kit No.	Repair parts No.
ø25	LCX-25K	17 18
ø32	LCX-32K	20 23

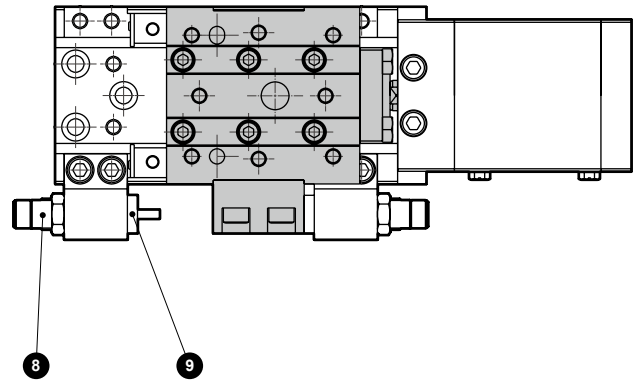
Internal structure and parts list

Structure with stopper

● Rubber cushion stopper, metal stopper



● Shock absorber stopper



Parts list

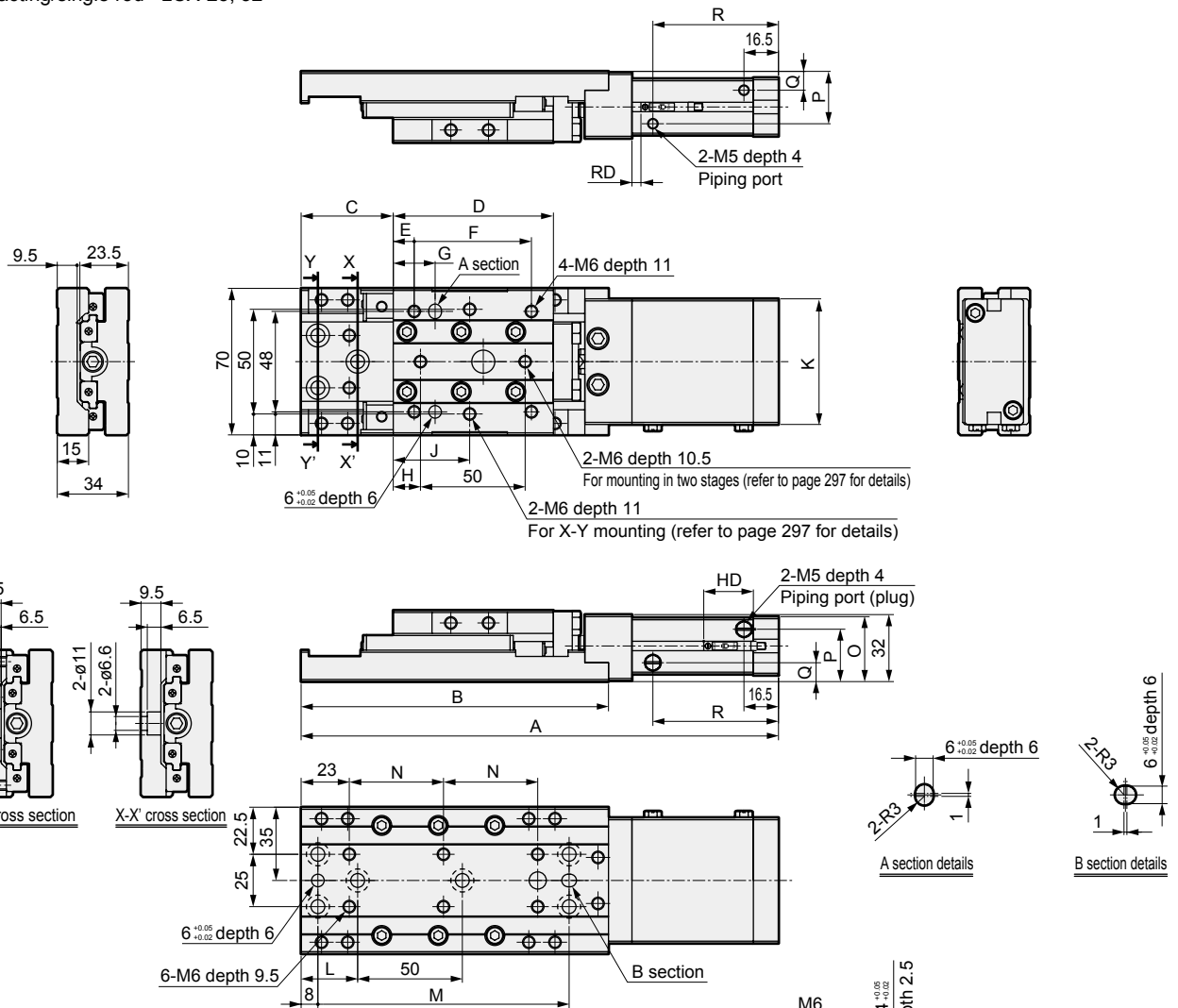
No.	Part name	Material	Remarks	No.	Part name	Material	Remarks
1	Stopper bolt	Alloy steel	Nickeling	6	Stopper block (Stopper block code: Blank)	Steel	Nickeling
2	Hexagon nut	Alloy steel	Zinc chromate		Stopper block (Stopper block code: T)	Steel	Nitriding
3	Stopper	Aluminum alloy	Alumite	7	Hexagon socket head cap screw	Alloy steel	Zinc chromate
4	Hexagon socket head cap screw	Alloy steel	Zinc chromate	8	Shock absorber		
5	Cushion rubber	Urethane rubber	Cushion rubber stopper only	9	Stop cap	Stainless steel	

- LCM
- LCR
- LCG
- LCW
- LCX**
- STM
- STG
- STS/STL
- STR2
- UCA2
- ULK*
- JSK/M2
- JSG
- JSC3/JSC4
- USSD
- UFCD
- USC
- UB
- JSB3
- LMB
- LML
- HCM
- HCA
- LBC
- CAC4
- UCAC2
- CAC-N
- UCAC-N
- RCS2
- RCC2
- PCC
- SHC
- MCP
- GLC
- MFC
- BBS
- RRC
- GRC
- RV3*
- NHS
- HRL
- LN
- Hand
- Chuk
- MechHnd/Chuk
- ShkAbs
- FJ
- FK
- SpdContr
- Ending

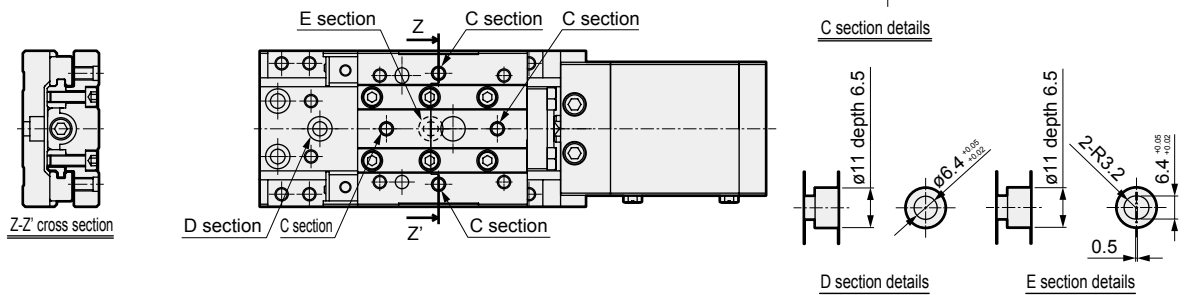
Dimensions



● Double acting/single rod LCX-25, 32



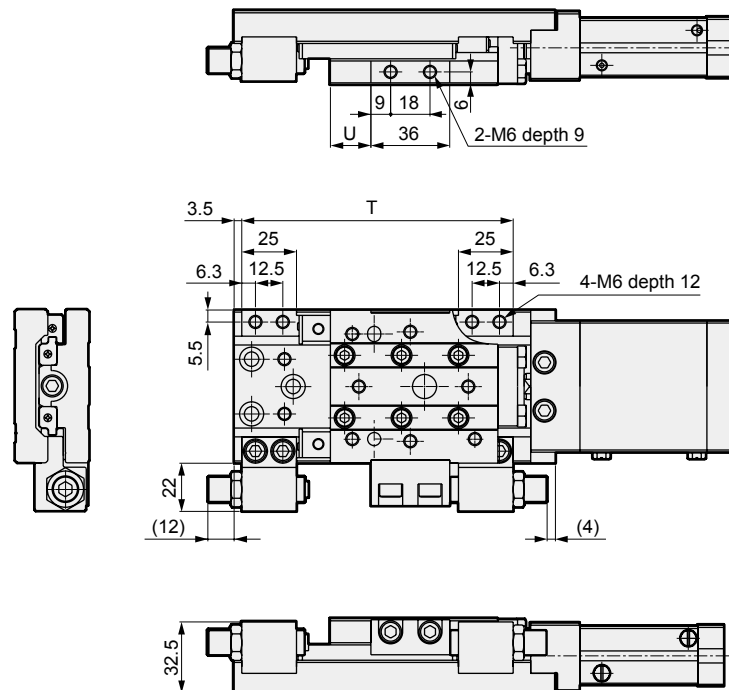
● With positioning hole LCX-25, 32-E



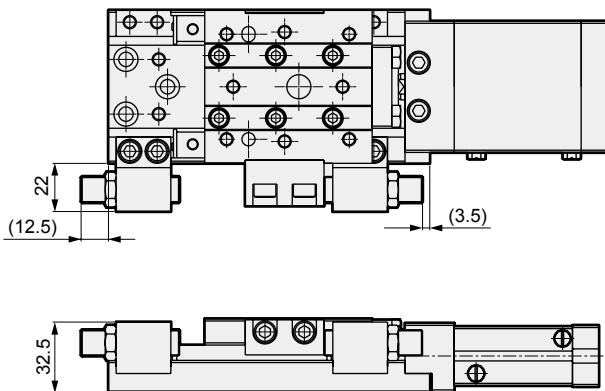
Bore size	Stroke length	A	B	C	D	E	F	G	H	J	K	L	M	N	O	P	Q	R	RD			HD		
																			T0*	T2*	T2W*	T0*	T2*	T2W*
																			T5*	T3*	T3W*	T5*	T3*	T3W*
ø25	10	208		34														40	5	6.5	23.5	21.5		
	20	218	147	39	76.5	10	56	20	13	36.5		27	120	45			50							
	30	228		44							50				29.5	24.5	9.5	60						
	40	258		49								41	140	55			70							
	50	268	167	54	86.5	15	64	30	23	46.5							80							
ø32	10	208		34														40	5	6.5	23.5	21.5		
	20	218	147	39	76.5	10	56	20	13	36.5		27	120	45			50							
	30	228		44							60				31	25	9	60						
	40	258		49								41	140	55			70							
	50	268	167	54	86.5	15	64	30	23	46.5							80							

Dimensions: Option

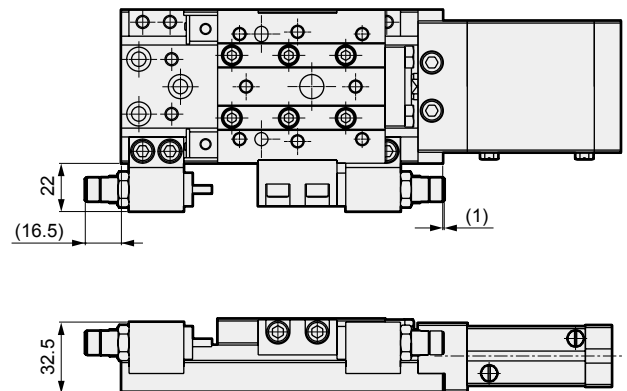
- Rubber cushion stopper (S1 to S6)



- Metal stopper (M1 to M6)



- Shock absorber stopper (A1 to A6)



Note: When the adjustable stroke range is increased or decreased with the rubber cushion stopper (S1 to S6) or metal stopper (M1 to M6), the dimensions in () increase or decrease accordingly.

Bore size	Stroke length	T	U	Adjustable stroke range (single side)		
				Cushion stopper	Metal stopper	Shock absorber stopper
ø25	10	124	18.5	5	5	1
	20			10	10	7
	30	144	28.5			
	40					
	50					
ø32	10	124	18.5	5	5	1
	20			10	10	7
	30	144	28.5			
	40					
	50					

- LCM
- LCR
- LCG
- LCW
- LCX**
- STM
- STG
- STS/STL
- STR2
- UCA2
- ULK*
- JSK/M2
- JSG
- JSC3/JSC4
- USSD
- UFCD
- USC
- UB
- JSB3
- LMB
- LML
- HCM
- HCA
- LBC
- CAC4
- UCAC2
- CAC-N
- UCAC-N
- RCS2
- RCC2
- PCC
- SHC
- MCP
- GLC
- MFC
- BBS
- RRC
- GRC
- RV3*
- NHS
- HRL
- LN
- Hand
- Chuk
- MechHnd/Chuk
- ShkAbs
- FJ
- FK
- SpdContr
- Ending

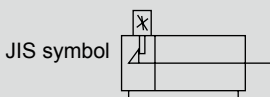
LCM
LCR
LCG
LCW
LCX
STM
STG
STS/STL
STR2
UCA2
ULK*
JSK/M2
JSG
JSC3/JSC4
USSD
UFCD
USC
UB
JSB3
LMB
LML
HCM
HCA
LBC
CAC4
UCAC2
CAC-N
UCAC-N
RCS2
RCC2
PCC
SHC
MCP
GLC
MFC
BBS
RRC
GRC
RV3*
NHS
HRL
LN
Hand
Chuk
MechHnd/Chuk
ShkAbs
FJ
FK
SpdContr
Ending



Linear slide cylinder double acting/single rod/position locking

LCX-Q Series

● Bore size: $\phi 25/\phi 32$



Specifications

Item	LCX-Q	
Bore size mm	$\phi 25$	$\phi 32$
Actuation	Double acting	
Working fluid	Compressed air	
Max. working pressure MPa	0.7 (≈ 100 psi, 7 bar)	
Min. working pressure MPa	0.15 (≈ 22 psi, 1.5 bar)	
Proof pressure MPa	1.05 (≈ 150 psi, 10.5 bar)	
Ambient temperature $^{\circ}\text{C}$	-10 (14 $^{\circ}\text{F}$) to 60 (140 $^{\circ}\text{F}$) (no freezing) (*1)	
Port size	M5	
Stroke tolerance mm	+2.0 0 (*2)	
Working piston speed mm/s	20 to 500 (*3)	
Cushion	With rubber cushion	
Position locking mechanism	Head side	
Holding force N	130	230
Lubrication	Not available	
Allowable absorbed energy J	Refer to Table 3 on page 299.	

*1 : Contact CKD if the use environment is always cold (5 $^{\circ}\text{C}$ or below) or hot (40 $^{\circ}\text{C}$ and above).

*2 : Note that there will be a slight gap between the plate and floating bush if no stopper is attached.

*3 : Keep within 20 to 200 mm/s when using a metal stopper.

Stroke length

Bore size (mm)	Standard stroke length (mm)
$\phi 25$	10, 20, 30, 40, 50
$\phi 32$	10, 20, 30, 40, 50

Note: Products with stroke lengths other than the above are not available.

Theoretical thrust table

Refer to page 298.

Switch specifications

Item	Reed 2-wire				Proximity 2-wire		Proximity 3-wire		
	T0H/T0V		T5H/T5V		T2H/T2V	T2WH/T2WV	T3H/T3V	T3PH/T3PV	T3WH/T3WV
Applications	For programmable controller, relay		For programmable controller, relay, IC circuit (without indicator lamp), serial connection		Dedicated for programmable controller		For programmable controller, relay		
Output method	-		-		-		NPN output	PNP output	NPN output
Power supply voltage	-		-		-		10 to 28 VDC		
Load voltage	12/24 VDC	110 VAC	5/12/24 VDC	110 VAC	10 to 30 VDC	24 VDC $\pm 10\%$	30 VDC or less		
Load current	5 to 50 mA	7 to 20 mA	50 mA or less	20 mA or less	5 to 20 mA		100 mA or less	50 mA or less	
Indicator lamp	LED (Lit when ON)		Without indicator lamp		LED (Lit when ON)	Red/green LED (Lit when ON)	LED (Lit when ON)	Yellow LED (Lit when ON)	Red/green LED (Lit when ON)
Leakage current	0 mA				1 mA or less		10 μA or less		
Weight g	1 m:18 3 m:49 5 m:80				1 m:18 3 m:49 5 m:80		1 m:18 3 m:49 5 m:80		

*1 : Refer to Ending Page 1 for detailed switch specifications and dimensions.

*2 : Switches other than the above models, such as switches with connectors, are also available. Refer to Ending Page 1.

*3 : The max. load current is 20 mA at 25 $^{\circ}\text{C}$. The current is lower than 20 mA if the operating ambient temperature around the switch is higher than 25 $^{\circ}\text{C}$. (5 to 10 mA at 60 $^{\circ}\text{C}$)

Cylinder weight

● Position locking

(Unit: g)

Bore size (mm)	Basic Stroke length (mm)				
	10	20	30	40	50
$\phi 25$	1,060	1,090	1,110	1,230	1,250
$\phi 32$	1,130	1,160	1,180	1,310	1,330

● Weight of variation/option (stopper)

(Unit: g)

Bore size (mm)	Option/stopper code		
	S1/S2	M1/M2	A1/A2
$\phi 25$	170		
$\phi 32$			

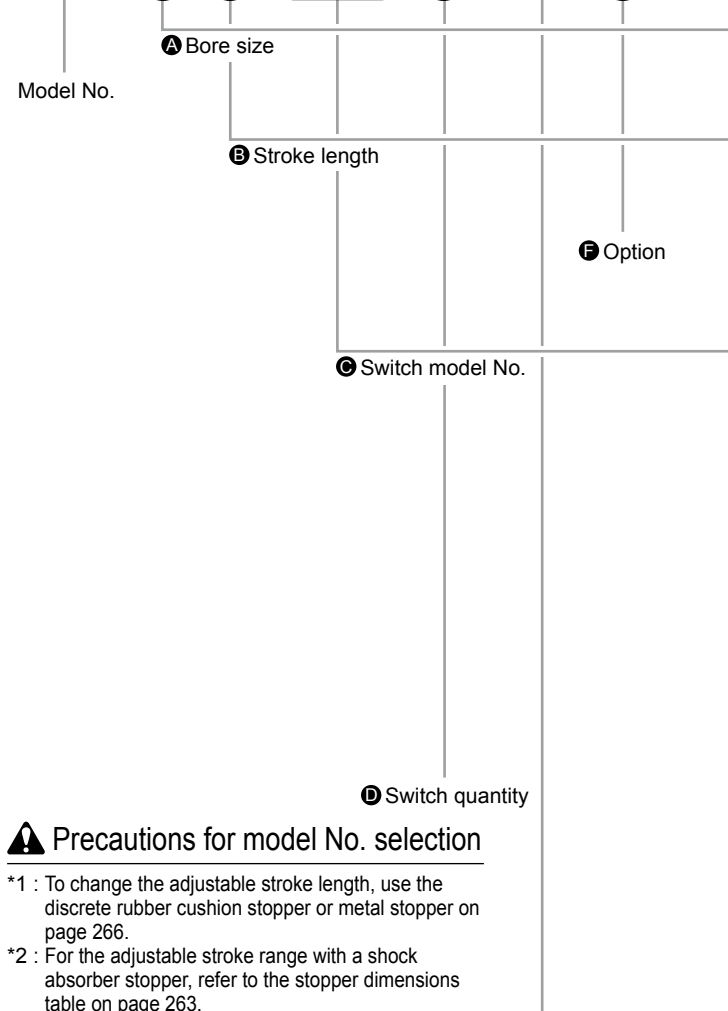
How to order

Without switch (built-in magnet for switch)

LCX-Q-25-40-S5-E

With switch (built-in magnet for switch)

LCX-Q-25-40-T2H*-R-S1T-E



⚠ Precautions for model No. selection

- *1 : To change the adjustable stroke length, use the discrete rubber cushion stopper or metal stopper on page 266.
- *2 : For the adjustable stroke range with a shock absorber stopper, refer to the stopper dimensions table on page 263.
- *3 : The steel stopper block (nitrided) (code: T) is recommended for a metal stopper.
- *4 : Combination of the rubber cushion stopper, metal stopper and shock absorber stopper is made to order.
- *5 : Keep within 20 to 200 mm/s when using a metal stopper.
- *6 : Can be selected for the type with stopper only.
- *7 : Do not attach to the stopper positions ③ and ④ since the locking mechanism works at the stroke end.
- *8 : The positioning hole enables assembling of the crossed unit and two-stage unit without adjusting the position. Use a positioning bolt as well (page 267).
- *9 : Refer to page 267 for single cylinder model No.

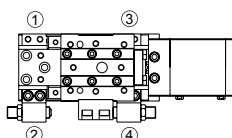
[Example of model No.]

LCX-Q-25-40-T2H-R-S1TE

Model: Linear slide cylinder Double acting/position locking LCX-Q

- A** Bore size : $\phi 25$
- B** Stroke length : 40 mm
- C** Switch model No. : Proximity/2-wire Axial lead wire
- D** Switch quantity : 1 on rod side
- E** Stopper : Rubber cushion stopper
Stopper position①
Material, steel (nitriding)
- F** Option : With positioning hole

● Stopper position



Code	Description					
A Bore size						
25	$\phi 25$					
32	$\phi 32$					
B Stroke length (mm)						
10	10					
20	20					
30	30					
40	40					
50	50					
C Switch model No.						
Axial lead wire	Radial lead wire	Contact	Voltage		Indicator lamp	Lead wire
T0H*	T0V*	Reed	AC	DC	1-color display	2-wire
T5H*	T5V*		●	●	no indicator lamp	
T2H*	T2V*	Proximity		●	1-color display	2-wire
T3H*	T3V*			●	display	
T3PH*	T3PV*				●	1-color display (PNP output)
T2WH*	T2WV*			●	2-color display	2-wire
T3WH*	T3WV*			●	display	3-wire
* Lead wire length						
Blank	1 m (standard)					
3	3 m (option)					
5	5 m (option)					
D Switch quantity						
R	1 on rod side					
H	1 on head side					
D	2					
E Stopper						
Blank	Without stopper					
S Cushion stopper *1, *4, *7						
S1*	Stopper position①					Stopper mount position
S2*	Stopper position②					
M Metal stopper *1, *3, *4, *5, *7						
M1*	Stopper position①					Stopper mount position
M2*	Stopper position②					
A Shock absorber stopper *2, *4, *7						
A1*	Stopper position①					Stopper mount position
A2*	Stopper position②					
* part						
Blank	Stopper block material: steel					
T	Stopper block material: steel (nitriding)					*6
F Option						
Blank	No option					
E	With positioning hole					*8

- LCM
- LCR
- LCG
- LCW
- LCX**
- STM
- STG
- STS/STL
- STR2
- UCA2
- ULK*
- JSK/M2
- JSG
- JSC3/JSC4
- USSD
- UFCD
- USC
- UB
- JSB3
- LMB
- LML
- HCM
- HCA
- LBC
- CAC4
- UCAC2
- CAC-N
- UCAC-N
- RCS2
- RCC2
- PCC
- SHC
- MCP
- GLC
- MFC
- BBS
- RRC
- GRC
- RV3*
- NHS
- HRL
- LN
- Hand
- Chuk
- MechHnd/Chuk
- ShkAbs
- FJ
- FK
- SpdContr
- Ending

- LCM
- LCR
- LCG
- LCW
- LCX**
- STM
- STG
- STS/STL
- STR2
- UCA2
- ULK*
- JSK/M2
- JSG
- JSC3/JSC4
- USSD
- UFCD
- USC
- UB
- JSB3
- LMB
- LML
- HCM
- HCA
- LBC
- CAC4
- UCAC2
- CAC-N
- UCAC-N
- RCS2
- RCC2
- PCC
- SHC
- MCP
- GLC
- MFC
- BBS
- RRC
- GRC
- RV3*
- NHS
- HRL
- LN
- Hand
- Chuk
- MechHnd/Chuk
- ShkAbs
- FJ
- FK
- SpdContr
- Ending

How to order switch

SW - T2H3

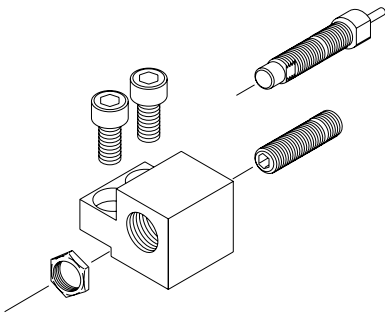
Switch model No.
(Item © on page 265)

How to order a stopper set

- Set of a stopper and rubber cushion stopper, metal stopper or shock absorber stopper
- Use when changing from the standard to the type with rubber cushion stopper, metal stopper or shock absorber stopper.

LCX - 25 - S 2 - S02

Bore size
(Item A on page 265)



*1: Cannot be selected for the shock absorber stopper "A".

A Stopper	
S	Cushion stopper
M	Metal stopper
A	Shock absorber stopper

B Stopper installation position	
1	Stopper position①
2	Stopper position②

C Adjustable stroke length ^{*1}	
Blank	Adjustable stroke range 10 mm
S02	Adjustable stroke range 20 mm

(Unit: g)

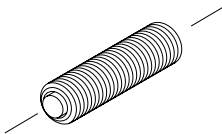
Model No.				Weight
LCX	25	S1	Blank	70
		S2	S02	80
	32	M1	Blank	70
		M2	S02	80
		A1	-	70
		A2	-	70

How to order discrete rubber cushion stopper

- Hexagon socket set screw with urethane
- Use when changing the adjustable stroke range or when using a custom stroke length.

LCX - 25 - S02

Bore size
(Item A on page 265)



A Adjustable stroke range	
S01	Single side 10 mm (standard)
S02	Single side 20 mm

(Unit: g)

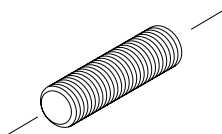
Model No.			Weight
LCX	25	S01	30
	32	S02	40

How to order discrete metal stopper

- Use when changing the adjustable stroke range or when using a custom stroke length.

LCX - 25 - M02

Bore size
(Item A on page 265)



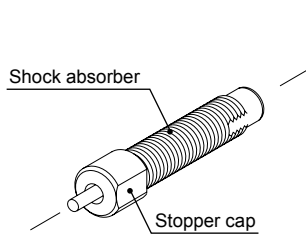
A Adjustable stroke range	
M01	Single side 10 mm (standard)
M02	Single side 20 mm

(Unit: g)

Model No.			Weight
LCX	25	M01	30
	32	M02	40

How to order discrete shock absorber stopper

- Set of a shock absorber and stopper cap
- Use when changing from the rubber cushion stopper or metal stopper to the shock absorber stopper.



LCX - 25 - A01

Bore size
(Item ① on page 265)

Note: For the adjustable stroke range with a shock absorber stopper, refer to page 263.

Applicable shock absorber model No.

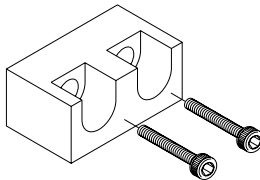
Model	Shock absorber model No.
LCX-25	NCK-00-1.2
LCX-32	NCK-00-1.2

(Unit: g)

Model No.	Weight
LCX 25	30
LCX 32	30

How to order discrete stopper block

- Use when changing from the standard to the type with rubber cushion stopper, metal stopper or shock absorber stopper.



LCX - 25 - SB1 T

Bore size
(Item ① on page 265)

A Stopper block	
SB1	For 30, 50 mm stroke length
SB2	For 10, 20, 40 mm stroke length
B Material	
Blank	Stopper block material: steel
T	Stopper block material: steel (nitriding)

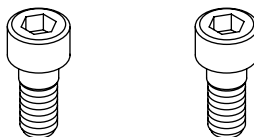
(Unit: g)

Model No.	Weight
LCX 25	80
LCX 32	100

How to order positioning bolt

- Hexagon socket head cap screw for positioning
- Enables assembling of the crossed unit and two-stage unit without adjusting the position.

LCX - 25 - J



(2 pieces/set)

(Unit: g)

Model No.	Weight
LCX 25	10

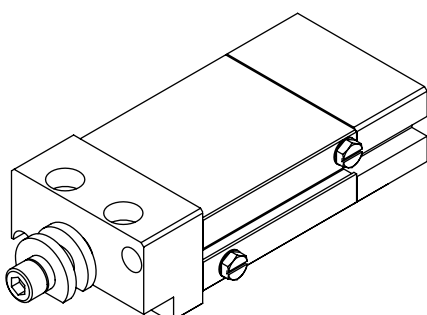
* Weight per set (2 pieces)

How to order single cylinder

LCX-Q - CYL - 25 - 40

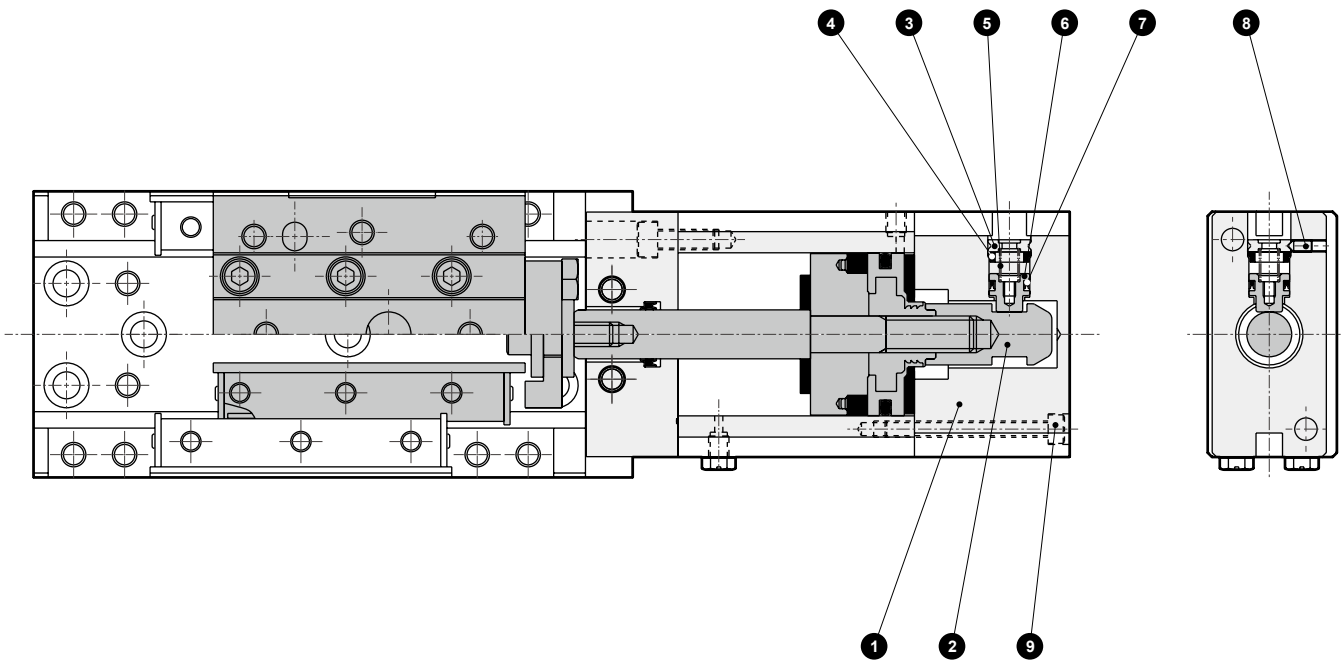
Bore size
(Item ① on page 265)

Stroke length
(Item ② on page 265)



- LCM
- LCR
- LCG
- LCW
- LCX**
- STM
- STG
- STS/STL
- STR2
- UCA2
- ULK*
- JSK/M2
- JSG
- JSC3/JSC4
- USSD
- UFCD
- USC
- UB
- JSB3
- LMB
- LML
- HCM
- HCA
- LBC
- CAC4
- UCAC2
- CAC-N
- UCAC-N
- RCS2
- RCC2
- PCC
- SHC
- MCP
- GLC
- MFC
- BBS
- RRC
- GRC
- RV3*
- NHS
- HRL
- LN
- Hand
- Chuk
- MecHnd/Chuk
- ShkAbs
- FJ
- FK
- SpdContr
- Ending

Internal structure and parts list



Parts list

No.	Part name	Material	Remarks	No.	Part name	Material	Remarks
1	Head cover	Aluminum alloy	Alumite	6	Stopper piston	Carbon steel	Nitriding
2	Sleeve	Carbon steel	Nitriding	7	Stopper packing	Nitrile rubber	
3	Stopper cover	Stainless steel		8	Hexagon socket set screw	Alloy steel	Black finish
4	Cushion rubber	Urethane rubber		9	Hexagon socket head cap screw	Alloy steel	Zinc chromate
5	Coil spring	Steel					

Repair parts list

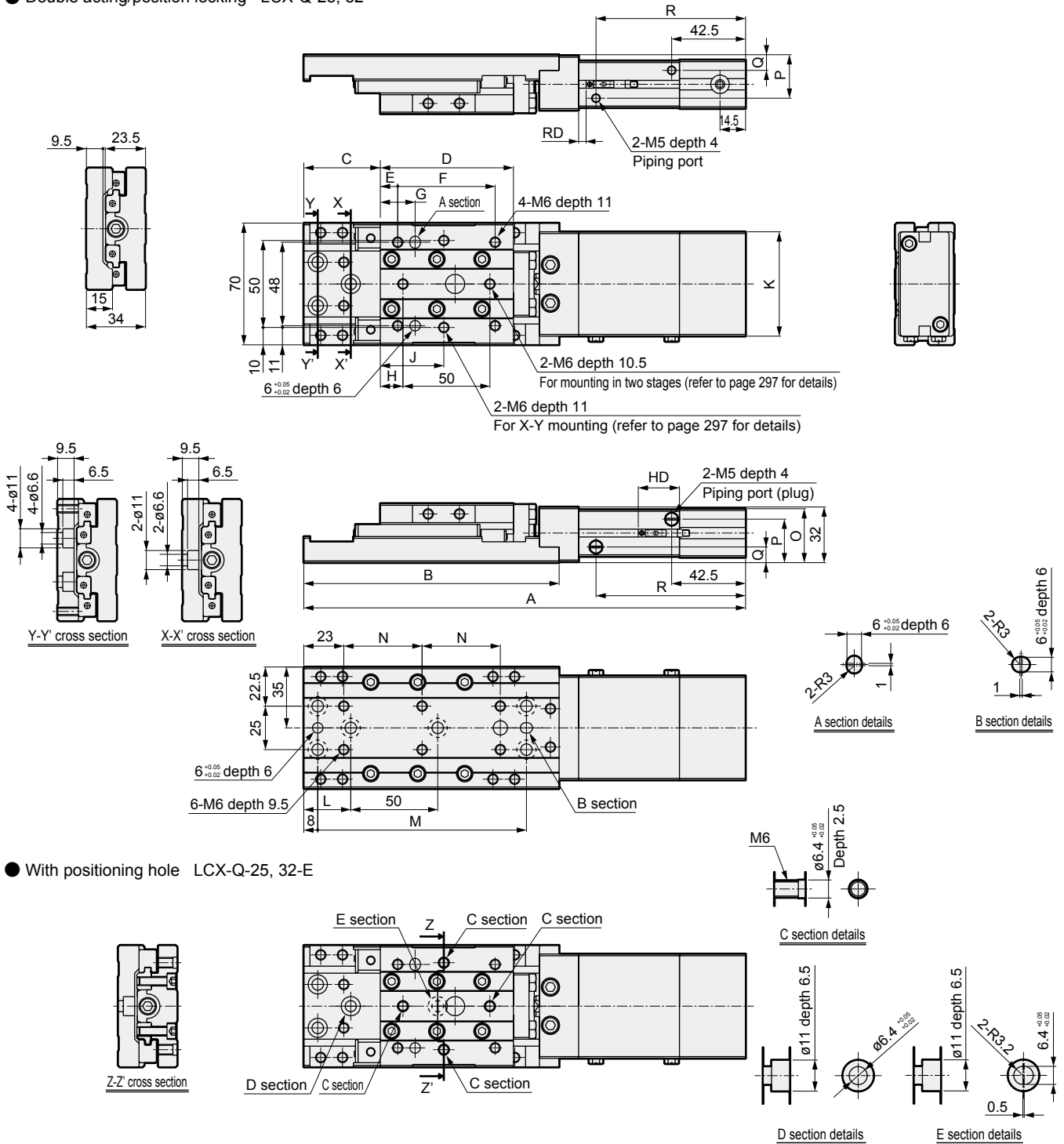
Bore size (mm)	Kit No.	Repair parts No.	
		Repair parts for position locking	Basic parts are repair parts
ø25	LCX-Q-25K		17 18
ø32	LCX-Q-32K	4 7	20 23

Note: The repair part numbers for the base section correspond to those in the double acting/single rod parts list on page 260.

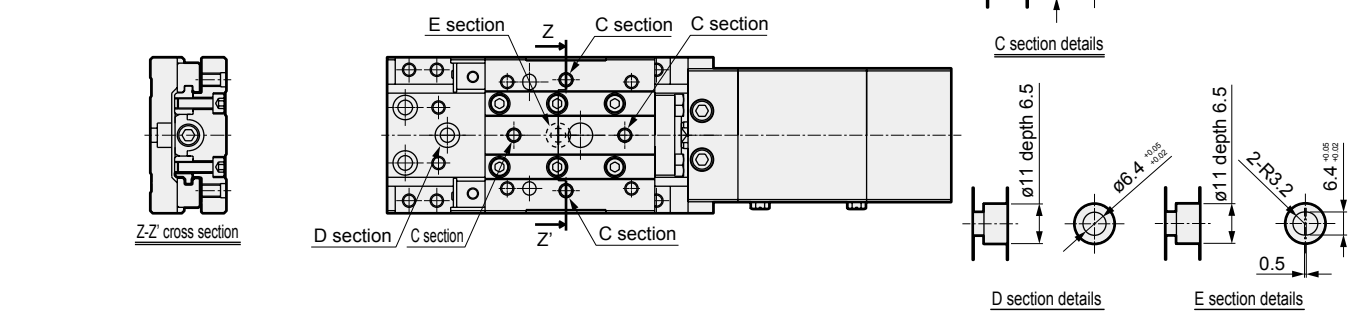
Dimensions



- Double acting/position locking LCX-Q-25, 32



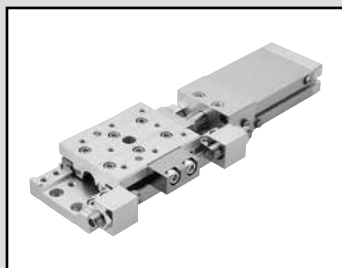
- With positioning hole LCX-Q-25, 32-E



Bore size	Stroke length	A	B	C	D	E	F	G	H	J	K	L	M	N	O	P	Q	R	RD			HD		
																			T0*	T2*	T2W*	T0*	T2*	T2W*
																			T5*	T3*	T3W*	T5*	T3*	T3W*
ø25	10	234		34														66	5	6.5	23.5	21.5		
	20	244	147	39	76.5	10	56	20	13	36.5		27	120	45				76						
	30	254		44							50				29.5	24.5	9.5	86						
	40	284		49	86.5	15	64	30	23	46.5		41	140	55				96						
	50	294	167	54														106						
ø32	10	234		34														66	5	6.5	23.5	21.5		
	20	244	147	39	76.5	10	56	20	13	36.5		27	120	45				76						
	30	254		44							60				31	25	9	86						
	40	284		49	86.5	15	64	30	23	46.5		41	140	55				96						
	50	294	167	54														106						

- LCM
- LCR
- LCG
- LCW
- LCX**
- STM
- STG
- STS/STL
- STR2
- UCA2
- ULK*
- JSK/M2
- JSG
- JSC3/JSC4
- USSD
- UFCD
- USC
- UB
- JSB3
- LMB
- LML
- HCM
- HCA
- LBC
- CAC4
- UCAC2
- CAC-N
- UCAC-N
- RCS2
- RCC2
- PCC
- SHC
- MCP
- GLC
- MFC
- BBS
- RRC
- GRC
- RV3*
- NHS
- HRL
- LN
- Hand
- Chuk
- MechHnd/Chuk
- ShkAbs
- FJ
- FK
- SpdContr
- Ending

LCM
LCR
LCG
LCW
LCX
STM
STG
STS/STL
STR2
UCA2
ULK*
JSK/M2
JSG
JSC3/JSC4
USSD
UFCD
USC
UB
JSB3
LMB
LML
HCM
HCA
LBC
CAC4
UCAC2
CAC-N
UCAC-N
RCS2
RCC2
PCC
SHC
MCP
GLC
MFC
BBS
RRC
GRC
RV3*
NHS
HRL
LN
Hand
Chuk
MecHnd/Chuk
ShkAbs
FJ
FK
SpdContr
Ending



Linear slide cylinder
Double acting/single rod clean-room specifications

LCX-P7* Series

● Bore size: $\phi 25/\phi 32$



Specifications

Item	LCX-P7*	
Bore size mm	$\phi 25$	$\phi 32$
Actuation	Double acting	
Working fluid	Compressed air	
Max. working pressure MPa	0.7 (≈ 100 psi, 7 bar)	
Min. working pressure MPa	0.15 (≈ 22 psi, 1.5 bar)	
Proof pressure MPa	1.05 (≈ 150 psi, 10.5 bar)	
Ambient temperature $^{\circ}\text{C}$	-10 (14 $^{\circ}\text{F}$) to 60 (140 $^{\circ}\text{F}$) (no freezing) (*1)	
Port size	M5	
Pressure relief port size	M5	
Stroke tolerance mm	+2.0 0 (*2)	
Working piston speed mm/s	20 to 500	
Cushion	With rubber cushion	
Lubrication	Not available	
Allowable absorbed energy J	Refer to Table 3 on page 299.	

Stroke length

Bore size (mm)	Standard stroke length (mm)
$\phi 25$	10, 20, 30, 40, 50
$\phi 32$	10, 20, 30, 40, 50

Note: Products with stroke lengths other than the above are not available.

*1: Contact CKD if the use environment is always cold (5 $^{\circ}\text{C}$ or below) or hot (40 $^{\circ}\text{C}$ and above).
*2: Note that there will be a slight gap between the plate and floating bush if no stopper is attached.
*3: Keep within 20 to 200 mm/s when using a metal stopper.

Theoretical thrust table

Refer to page 298.

Switch specifications

Item	Reed 2-wire				Proximity 2-wire		Proximity 3-wire		
	T0H/T0V		T5H/T5V		T2H/T2V	T2WH/T2WV	T3H/T3V	T3PH/T3PV	T3WH/T3WV
Applications	For programmable controller, relay		For programmable controller, relay, IC circuit (without indicator lamp), serial connection		Dedicated for programmable controller		For programmable controller, relay		
Output method	-		-		-		NPN output	PNP output	NPN output
Power supply voltage	-		-		-		10 to 28 VDC		
Load voltage	12/24 VDC	110 VAC	5/12/24 VDC	110 VAC	10 to 30 VDC	24 VDC $\pm 10\%$	30 VDC or less		
Load current	5 to 50 mA	7 to 20 mA	50 mA or less	20 mA or less	5 to 20 mA		100 mA or less	50 mA or less	
Indicator lamp	LED (Lit when ON)		Without indicator lamp		LED (Lit when ON)	Red/green LED (Lit when ON)	LED (Lit when ON)	Yellow LED (Lit when ON)	Red/green LED (Lit when ON)
Leakage current	0 mA				1 mA or less		10 μA or less		
Weight g	1 m:18 3 m:49 5 m:80				1 m:18 3 m:49 5 m:80		1 m:18 3 m:49 5 m:80		

*1: Refer to Ending Page 1 for detailed switch specifications and dimensions.
*2: Switches other than the above models, such as switches with connectors, are also available. Refer to Ending Page 1.
*3: The max. load current is 20 mA at 25 $^{\circ}\text{C}$. The current is lower than 20 mA if the operating ambient temperature around the switch is higher than 25 $^{\circ}\text{C}$. (5 to 10 mA at 60 $^{\circ}\text{C}$)

Cylinder weight

● Clean-room specifications (Unit: g)

Bore size (mm)	Basic Stroke length (mm)				
	10	20	30	40	50
$\phi 25$	1,010	1,040	1,060	1,180	1,200
$\phi 32$	1,060	1,090	1,110	1,240	1,260

● Weight of variation/option (stopper) (Unit: g)

Bore size (mm)	Option/stopper code			
	S1 to S4	M1 to M4	S5/S6	M5/M6
$\phi 25$	170		240	
$\phi 32$				

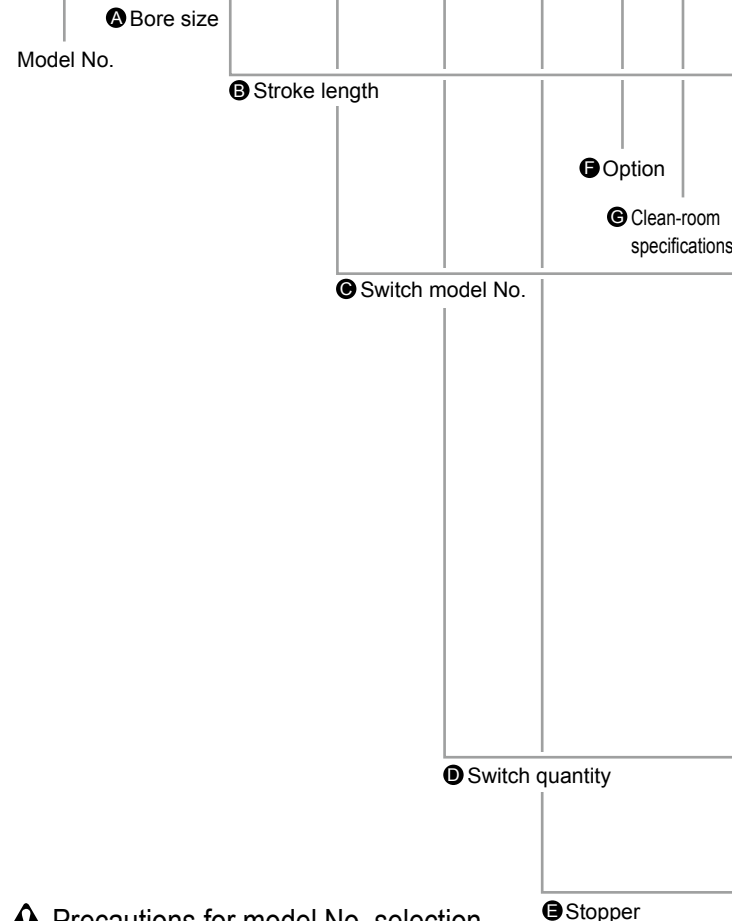
How to order

Without switch (built-in magnet for switch)

LCX - **25** - **40** ————— **S5** **E** **P72**

With switch (built-in magnet for switch)

LCX - **25** - **40** - **T2H*** - **R** - **S1T** **E** **P72**



⚠ Precautions for model No. selection

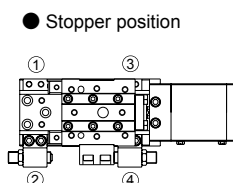
- *1 : To change the adjustable stroke length, use the discrete rubber cushion stopper or metal stopper on page 272.
- *2 : Can be selected for the type with stopper only.
- *3 : The steel stopper block (nitrided) (code: T) is recommended for a metal stopper.
- *4 : Combination of the rubber cushion stopper and metal stopper is made to order.
- *5 : Keep within 20 to 200 mm/s when using a metal stopper.
- *6 : Refer to page 273 for single cylinder model No.

[Example of model No.]

LCX-25-40-T2H-R-S1TEP72

Model: Linear slide cylinder
 Double acting/single rod
 (clean-room specifications) LCX-P7*

- A** Bore size : $\varnothing 25$
- B** Stroke length : 40 mm
- C** Switch model No. : Proximity/2-wire
Axial lead wire
- D** Switch quantity : 1 on rod side
- E** Stopper : Cushion stopper
Stopper position①
Material, steel (nitriding)
- F** Option : With positioning hole
- G** Clean-room specifications : Exhaust port



Code	Description					
A Bore size						
25	$\varnothing 25$					
32	$\varnothing 32$					
B Stroke length (mm)						
10	10					
20	20					
30	30					
40	40					
50	50					
C Switch model No.						
Axial lead wire	Radial lead wire	Contact	Voltage		Indicator lamp	Lead wire
			AC	DC		
T0H*	T0V*	Reed	●	●	1-color display	2-wire
T5H*	T5V*		●	●	no indicator lamp	
T2H*	T2V*	Proximity		●	1-color display	2-wire
T3H*	T3V*			●	display	3-wire
T3PH*	T3PV*			●	1-color display (PNP output)	3-wire
T2WH*	T2WV*			●	2-color display	2-wire
T3WH*	T3WV*		●	display	3-wire	
* Lead wire length						
Blank	1 m (standard)					
3	3 m (option)					
5	5 m (option)					
D Switch quantity						
R	1 on rod side					
H	1 on head side					
D	2					
E Stopper						
Blank	Without stopper					
S Cushion stopper			*1, *4			
S1*	Stopper position ① (can be changed to ④)		Stopper installation position			
S2*	Stopper position ② (can be changed to ③)					
S3*	Stopper position ③ (can be changed to ②)					
S4*	Stopper position ④ (can be changed to ①)					
S5*	Stopper position ①,③					
S6*	Stopper position ②,④					
M Metal stopper			*1, *3, *4, *5			
M1*	Stopper position ① (can be changed to ④)		Stopper installation position			
M2*	Stopper position ② (can be changed to ③)					
M3*	Stopper position ③ (can be changed to ②)					
M4*	Stopper position ④ (can be changed to ①)					
M5*	Stopper position ①,③					
M6*	Stopper position ②,④					
* part						
Blank	Stopper block material: steel					
T	Stopper block material: steel (nitriding)		*2			
F Option						
Blank	No option					
E	With positioning hole					
G Clean-room specifications						
			Structure			
P72	Exhaust port					
P73	Vacuum treatment					

LCM
LCR
LCG
LCW
LCX
STM
STG
STS/STL
STR2
UCA2
ULK*
JSK/M2
JSG
JSC3/JSC4
USSD
UFCD
USC
UB
JSB3
LMB
LML
HCM
HCA
LBC
CAC4
UCAC2
CAC-N
UCAC-N
RCS2
RCC2
PCC
SHC
MCP
GLC
MFC
BBS
RRC
GRC
RV3*
NHS
HRL
LN
Hand
Chuk
MechHnd/Chuk
ShkAbs
FJ
FK
SpdContr
Ending

- LCM
- LCR
- LCG
- LCW
- LCX**
- STM
- STG
- STS/STL
- STR2
- UCA2
- ULK*
- JSK/M2
- JSG
- JSC3/JSC4
- USSD
- UFCD
- USC
- UB
- JSB3
- LMB
- LML
- HCM
- HCA
- LBC
- CAC4
- UCAC2
- CAC-N
- UCAC-N
- RCS2
- RCC2
- PCC
- SHC
- MCP
- GLC
- MFC
- BBS
- RRC
- GRC
- RV3*
- NHS
- HRL
- LN
- Hand
- Chuk
- MecHnd/Chuk
- ShkAbs
- FJ
- FK
- SpdContr
- Ending

How to order switch

SW - T2H3

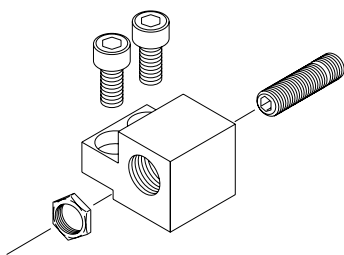
Switch model No.
(Item © on page 271)

How to order a stopper set

- Set of a stopper and rubber cushion stopper or metal stopper
- Use when changing from the standard to the type with rubber cushion stopper or metal stopper.

LCX - 25 - S 2 - S02

Bore size
(Item A on page 271)



A Stopper	
S	Cushion stopper
M	Metal stopper

B Stopper installation position	
1	Stopper position for ① or ④
2	Stopper position for ② or ③

C Adjustable stroke length ^{*1}	
Blank	Adjustable stroke range 10 mm
S02	Adjustable stroke range 20 mm

(Unit: g)

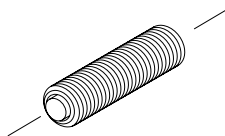
Model No.			Weight	
LCX	25	S1	Blank	70
		S2	S02	80
	32	M1	Blank	70
		M2	S02	80
		A1	-	70
		A2	-	70

How to order discrete rubber cushion stopper

- Hexagon socket set screw with urethane
- Use when changing the adjustable stroke range or when using a custom stroke length.

LCX - 25 - S02

Bore size
(Item A on page 271)



A Adjustable stroke range	
S01	Single side 10 mm (standard)
S02	Single side 20 mm

(Unit: g)

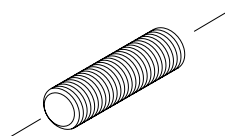
Model No.			Weight
LCX	25	S01	30
	32	S02	40

How to order discrete metal stopper

- Use when changing the adjustable stroke range or when using a custom stroke length.

LCX - 25 - M02

Bore size
(Item A on page 271)



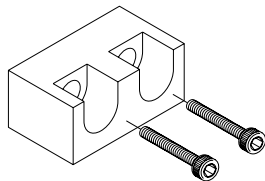
A Adjustable stroke range	
M01	Single side 10 mm (standard)
M02	Single side 20 mm

(Unit: g)

Model No.			Weight
LCX	25	M01	30
	32	M02	40

How to order discrete stopper block

- Use when changing from the standard to the type with rubber cushion stopper or metal stopper.



LCX - 25 - SB1 T

↓

Bore size
(Item ① on page 271)

A Stopper block	
SB1	For 30, 50 mm stroke length
SB2	For 10, 20, 40 mm stroke length

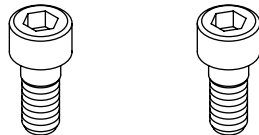
B Material	
Blank	Stopper block material: steel
T	Stopper block material: steel (nitriding)

(Unit: g)

	Model No.		Weight
LCX	25	SB1(T)	80
	32	SB2(T)	100

How to order positioning bolt

- Hexagon socket head cap screw for positioning
- Enables assembling of the crossed unit and two-stage unit without adjusting the position.



LCX - 25 - J

↓

Bore size
(Item ① on page 271)

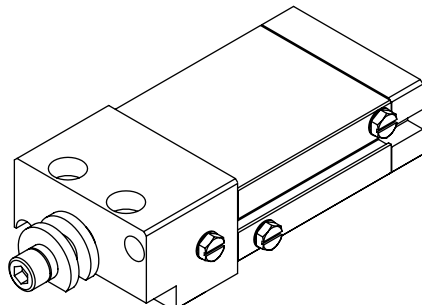
(2 pieces/set)

	Model No.		Weight
LCX	25	J	10

(Unit: g)

* Weight per set (2 pieces)

How to order single cylinder



LCX - CYL - 25 - 40 - P72

↓

Bore size
(Item ① on page 271)

↓

Stroke length
(Item ② on page 271)

A Variation	
P72	Clean-room specifications (exhaust port)
P73	Clean-room specifications (vacuum treatment)

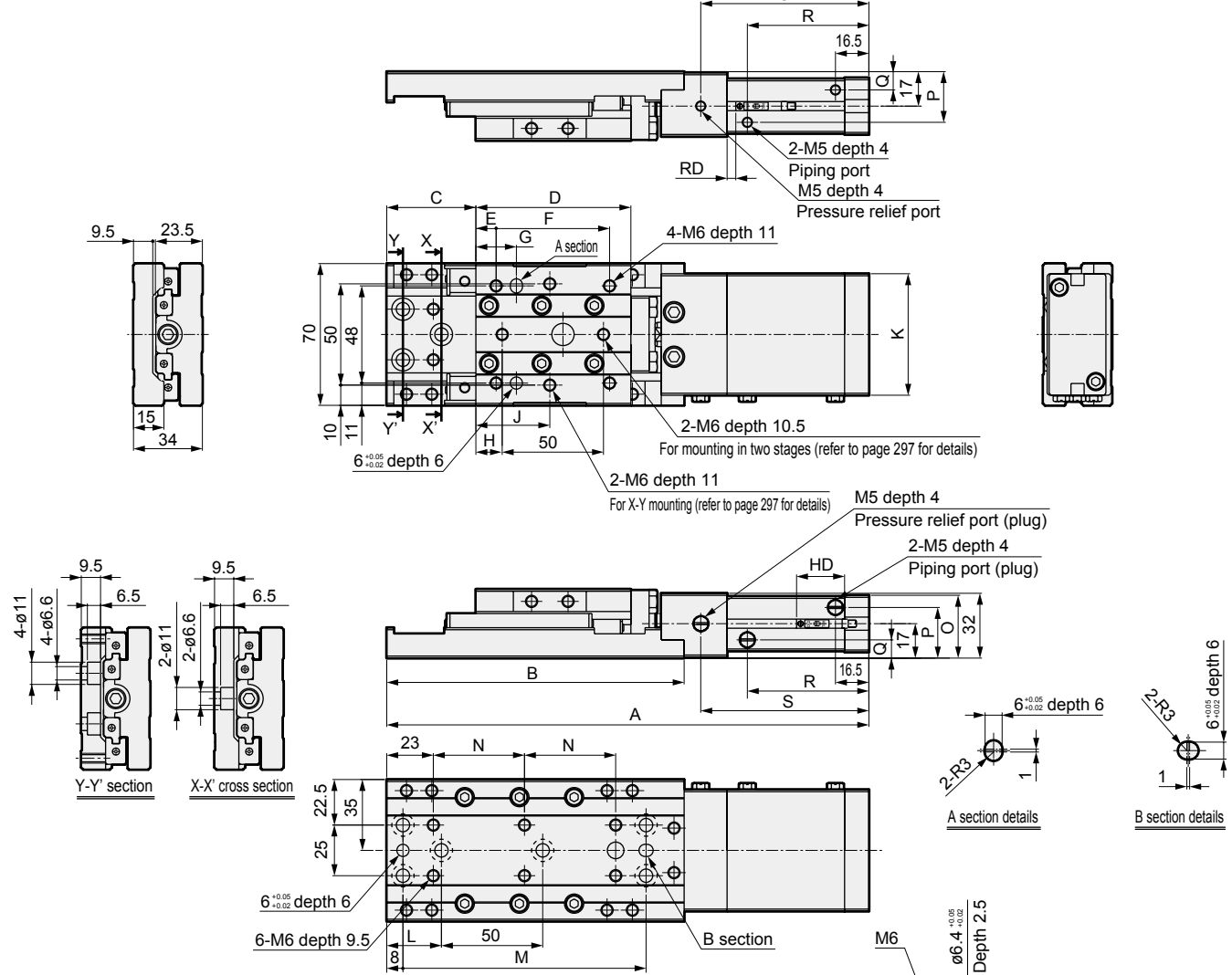
- LCM
- LCR
- LCG
- LCW
- LCX**
- STM
- STG
- STS/STL
- STR2
- UCA2
- ULK*
- JSK/M2
- JSG
- JSC3/JSC4
- USSD
- UFCD
- USC
- UB
- JSB3
- LMB
- LML
- HCM
- HCA
- LBC
- CAC4
- UCAC2
- CAC-N
- UCAC-N
- RCS2
- RCC2
- PCC
- SHC
- MCP
- GLC
- MFC
- BBS
- RRC
- GRC
- RV3*
- NHS
- HRL
- LN
- Hand
- Chuk
- MechHnd/Chuk
- ShkAbs
- FJ
- FK
- SpdContr
- Ending

LCX-P7* Series

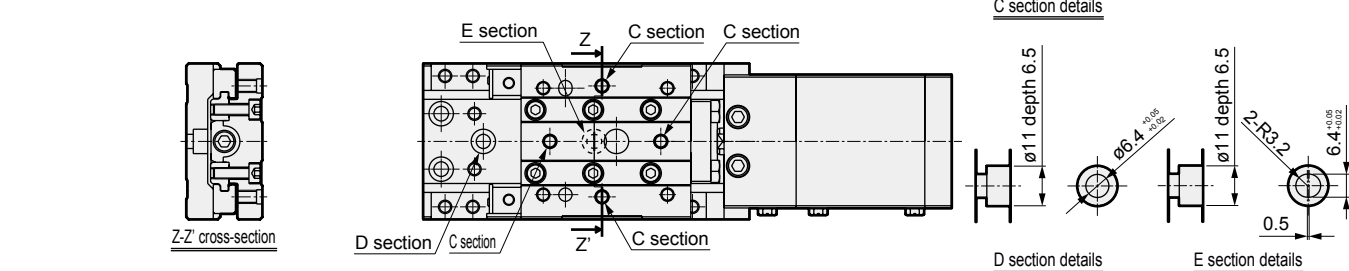
Dimensions



● Double acting/clean-room specifications LCX-25, 32-P7*



● With positioning hole LCX-25, 32-EP7*

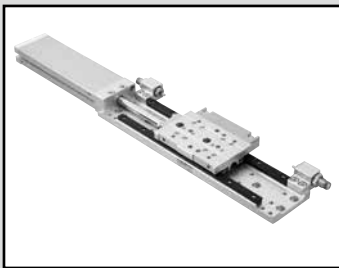


Bore size	Stroke length	A	B	C	D	E	F	G	H	J	K	L	M	N	O	P	Q	R	S	RD			HD		
																				T0*	T2*	T2W*	T0*	T2*	T2W*
																				T5*	T3*	T3W*	T5*	T3*	T3W*
ø25	10	218		34														40	63						
	20	228	147	39	76.5	10	56	20	13	36.5		27	120	45				50	73						
	30	238		44														60	83						
	40	268		49	86.5	15	64	30	23	46.5		41	140	55				70	93						
	50	278	167	54														80	103						
ø32	10	218		34														40	63						
	20	228	147	39	76.5	10	56	20	13	36.5		27	120	45				50	73						
	30	238		44														60	83						
	40	268		49	86.5	15	64	30	23	46.5		41	140	55				70	93						
	50	278	167	54														80	103						

MEMO

LCM
LCR
LCG
LCW
LCX
STM
STG
STS/STL
STR2
UCA2
ULK*
JSK/M2
JSG
JSC3/JSC4
USSD
UFCD
USC
UB
JSB3
LMB
LML
HCM
HCA
LBC
CAC4
UCAC2
CAC-N
UCAC-N
RCS2
RCC2
PCC
SHC
MCP
GLC
MFC
BBS
RRC
GRC
RV3*
NHS
HRL
LN
Hand
Chuk
MechHnd/Chuk
ShkAbs
FJ
FK
SpdContr
Ending

LCM
 LCR
 LCG
 LCW
LCX
 STM
 STG
 STS/STL
 STR2
 UCA2
 ULK*
 JSK/M2
 JSG
 JSC3/JSC4
 USSD
 UFCD
 USC
 UB
 JSB3
 LMB
 LML
 HCM
 HCA
 LBC
 CAC4
 UCAC2
 CAC-N
 UCAC-N
 RCS2
 RCC2
 PCC
 SHC
 MCP
 GLC
 MFC
 BBS
 RRC
 GRC
 RV3*
 NHS
 HRL
 LN
 Hand
 Chuk
 MecHnd/Chuk
 ShkAbs
 FJ
 FK
 SpdContr
 Ending

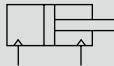


Linear slide cylinder Double acting/single rod/long stroke

LCX-*L Series

● Bore size: $\varnothing 25/\varnothing 32$

JIS symbol



Specifications

Item		LCX	
Bore size	mm	$\varnothing 25$	$\varnothing 32$
Actuation		Double acting	
Working fluid		Compressed air	
Max. working pressure	MPa	0.7 (≈ 100 psi, 7 bar)	
Min. working pressure	MPa	0.15 (≈ 22 psi, 1.5 bar)	
Proof pressure	MPa	1.05 (≈ 150 psi, 10.5 bar)	
Ambient temperature	$^{\circ}\text{C}$	-10 to 60 (no freezing) (*1)	
Port size		M5	
Stroke tolerance	mm	+2.0 0 (*2)	
Working piston speed	mm/s	20 to 500 (*3)	
Cushion		With rubber cushion	
Lubrication		Not available	
Allowable absorbed energy	J	Refer to Table 3 on page 299.	

*1: Contact CKD if the use environment is always cold (5°C or below) or hot (40°C and above).

*2: Note that there will be a slight gap between the plate and floating bush if no stopper is attached.

*3: Keep within 20 to 200 mm/s when using a metal stopper.

Stroke length

Bore size (mm)	Standard stroke length (mm)
$\varnothing 25$	75, 100, 125, 150
$\varnothing 32$	75, 100, 125, 150

Note: Products with stroke lengths other than the above are not available.

Theoretical thrust table

Refer to page 298.

Switch specifications

Item	Reed 2-wire				Proximity 2-wire		Proximity 3-wire		
	T0H/T0V		T5H/T5V		T2H/T2V	T2WH/ T2WV	T3H/ T3V	T3PH/ T3PV	T3WH/ T3WV
Applications	For programmable controller, relay		For programmable controller, relay, IC circuit (without indicator lamp), serial connection		Dedicated for programmable controller		For programmable controller, relay		
Output method	-		-		-		NPN output	PNP output	NPN output
Power supply voltage	-		-		-		10 to 28 VDC		
Load voltage	12/24 VDC	110 VAC	5/12/24 VDC	110 VAC	10 to 30 VDC	24 VDC ±10%	30 VDC or less		
Load current	5 to 50 mA	7 to 20 mA	50 mA or less	20 mA or less	5 to 20 mA		100 mA or less	50 mA or less	
Indicator lamp	LED (Lit when ON)		Without indicator lamp		LED (Lit when ON)	Red/green LED (Lit when ON)	LED (Lit when ON)	Yellow LED (Lit when ON)	Red/green LED (Lit when ON)
Leakage current	0 mA				1 mA or less		10 µA or less		
Weight	g 1 m:18 3 m:49 5 m:80				1 m:18 3 m:49 5 m:80		1 m:18 3 m:49 5 m:80		

*1 : Refer to Ending Page 1 for detailed switch specifications and dimensions.

*2 : Switches other than the above models, such as switches with connectors, are also available. Refer to Ending Page 1.

*3 : The max. load current is 20 mA at 25°C. The current is lower than 20 mA if the operating ambient temperature around the switch is higher than 25°C. (5 to 10 mA at 60°C)

Cylinder weight

● Basic

(Unit: g)

Bore size (mm)	Basic Stroke length (mm)			
	75	100	125	150
ø25	1,500	1,640	1,790	1,930
ø32	1,600	1,750	1,900	2,050

● Additional weight of options

(Unit: g)

Bore size (mm)	Option/stopper code					
	S1 to S4	M1 to M4	A1 to A4	S5/S6	M5/M6	A5/A6
ø25	320			400		
ø32	320			400		

Specifications for rechargeable battery (Catalog No. CC-1226A)

LCX - *L ... - **P4***

- Design compatible with rechargeable battery manufacturing process.

* Contact CKD for details.

LCM
LCR
LCG
LCW
LCX
STM
STG
STS/STL
STR2
UCA2
JSK/M2
JSG
JSC3/JSC4
USSD
UFCD
USC
UB
JSB3
LMB
LML
HCM
HCA
LBC
CAC4
UCAC2
CAC-N
UCAC-N
RCS2
RCC2
PCC
SHC
MCP
GLC
MFC
BBS
RRC
GRC
RV3*
NHS
HRL
LN
Hand
Chuk
MechHnd/Chuk
ShkAbs
FJ
FK
SpdContr
Ending

LCX-*L Series

How to order

Without switch (built-in magnet for switch)

LCX - **25** **L** - **100** - **S5**

With switch (built-in magnet for switch)

LCX - **25** **L** - **100** - **T2H*** - **R** - **A1T**

Model No.

Stroke length

Bore size

Switch model No.

Switch quantity

Stopper

⚠ Precautions for model No. selection

- *1 : To change the adjustable stroke length, use the discrete rubber cushion stopper or metal stopper on page 280.
- *2 : For the adjustable stroke range with a shock absorber stopper, refer to the stopper dimensions table on page 285.
- *3 : The steel stopper block (nitrided) (code: T) is recommended for a metal stopper.
- *4 : Combination of the rubber cushion stopper, metal stopper and shock absorber stopper is made to order.
- *5 : Keep within 20 to 200 mm/s when using a metal stopper.
- *6 : Can be selected for the type with stopper only.
- *7 : The long stroke length has a positioning hole option (code: E) as standard.
- *8 : Refer to page 281 for single cylinder model No.

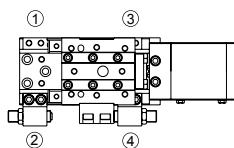
[Example of model No.]

LCX-25L-100-T2H-R-A1T

Model: Linear slide cylinder
Double acting/single rod LCX

- A** Bore size : $\varnothing 25$
- B** Stroke length : 100 mm
- C** Switch model No. : Proximity/2-wire
Axial lead wire
- D** Switch quantity : 1 on rod side
- E** Stopper : Shock absorber stopper
Stopper position①
Material, steel (nitriding)

● Stopper position



Code	Description					
A Bore size						
25	$\varnothing 25$					
32	$\varnothing 32$					
B Stroke length (mm)						
75	75					
100	100					
125	125					
150	150					
C Switch model No.						
Axial lead wire	Radial lead wire	Contact	Voltage		Indicator lamp	Lead wire
			AC	DC		
T0H*	T0V*	Reed	●	●	1-color display	2-wire
T5H*	T5V*		●	●	Without indicator lamp	
T2H*	T2V*	Proximity		●	1-color display	2-wire
T3H*	T3V*			●	display	3-wire
T3PH*	T3PV*			●	1-color display (PNP output)	3-wire
T2WH*	T2WV*			●	2-color display	2-wire
T3WH*	T3WV*		●		3-wire	
* Lead wire length						
Blank	1 m (standard)					
3	3 m (option)					
5	5 m (option)					
D Switch quantity						
R	1 on rod side					
H	1 on head side					
D	2					
E Stopper						
Blank	Without stopper					
S Cushion stopper *1, *4						
S1*	Stopper position ① (can be changed to ④)					Stopper installation position
S2*	Stopper position ② (can be changed to ③)					
S3*	Stopper position ③ (can be changed to ②)					
S4*	Stopper position ④ (can be changed to ①)					
S5*	Stopper position ①,③					
S6*	Stopper position ②,④					
M Metal stopper *1, *3, *4, *5						
M1*	Stopper position ① (can be changed to ④)					Stopper installation position
M2*	Stopper position ② (can be changed to ③)					
M3*	Stopper position ③ (can be changed to ②)					
M4*	Stopper position ④ (can be changed to ①)					
M5*	Stopper position ①,③					
M6*	Stopper position ②,④					
A Shock absorber stopper *2, *4, *7						
A1*	Stopper position ① (can be changed to ④)					Stopper installation position
A2*	Stopper position ② (can be changed to ③)					
A3*	Stopper position ③ (can be changed to ②)					
A4*	Stopper position ④ (can be changed to ①)					
A5*	Stopper position ①,③					
A6*	Stopper position ②,④					
* part						
Blank	Stopper block material: steel					
T	Stopper block material: steel (nitriding) *6					

How to order switch

SW - T2H3

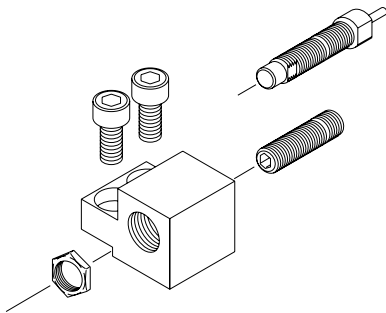
Switch model No.
(Item © on page 278)

How to order a stopper set

- Set of a stopper and rubber cushion stopper, metal stopper or shock absorber stopper
- Use when changing from the standard to the type with rubber cushion stopper, metal stopper or shock absorber stopper.

LCX - 25 - S 2 - S02

Bore size
(Item A on page 278)



*1: Cannot be selected for the shock absorber stopper "A".

A Stopper	
S	Cushion stopper
M	Metal stopper
A	Shock absorber stopper
B Stopper installation position	
1	Stopper position for ① or ④
2	Stopper position for ② or ③
C Adjustable stroke length *1	
Blank	Adjustable stroke range 10 mm
S02	Adjustable stroke range 20 mm

(Unit: g)

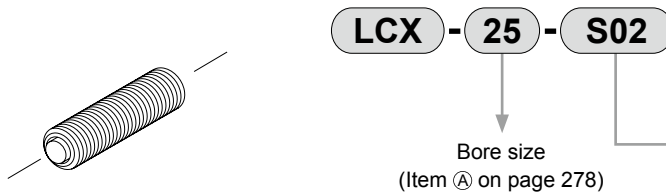
Model No.				Weight
LCX	25	S1	Blank	70
		S2	S02	80
	32	M1	Blank	70
		M2	S02	80
		A1	-	70
		A2	-	70

- LCM
- LCR
- LCG
- LCW
- LCX**
- STM
- STG
- STS/STL
- STR2
- UCA2
- ULK*
- JSK/M2
- JSG
- JSC3/JSC4
- USSD
- UFCD
- USC
- UB
- JSB3
- LMB
- LML
- HCM
- HCA
- LBC
- CAC4
- UCAC2
- CAC-N
- UCAC-N
- RCS2
- RCC2
- PCC
- SHC
- MCP
- GLC
- MFC
- BBS
- RRC
- GRC
- RV3*
- NHS
- HRL
- LN
- Hand
- Chuk
- MechHnd/Chuk
- ShkAbs
- FJ
- FK
- SpdContr
- Ending

- LCM
- LCR
- LCG
- LCW
- LCX**
- STM
- STG
- STS/STL
- STR2
- UCA2
- ULK*
- JSK/M2
- JSG
- JSC3/JSC4
- USSD
- UFCD
- USC
- UB
- JSB3
- LMB
- LML
- HCM
- HCA
- LBC
- CAC4
- UCAC2
- CAC-N
- UCAC-N
- RCS2
- RCC2
- PCC
- SHC
- MCP
- GLC
- MFC
- BBS
- RRC
- GRC
- RV3*
- NHS
- HRL
- LN
- Hand
- Chuk
- MecHnd/Chuk
- ShkAbs
- FJ
- FK
- SpdContr
- Ending

How to order discrete rubber cushion stopper

- Hexagon socket set screw with urethane
- Use when changing the adjustable stroke range or when using a custom stroke length.



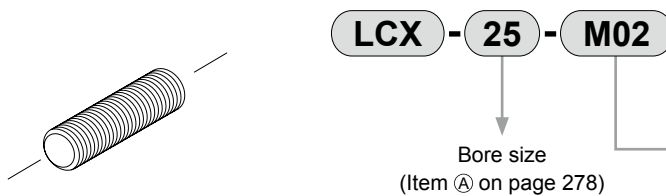
A Adjustable stroke range	
S01	Single side 10 mm (standard)
S02	Single side 20 mm

(Unit: g)

	Model No.		Weight
LCX	25	S01	30
	32	S02	40

How to order discrete metal stopper

- Use when changing the adjustable stroke range or when using a custom stroke length.



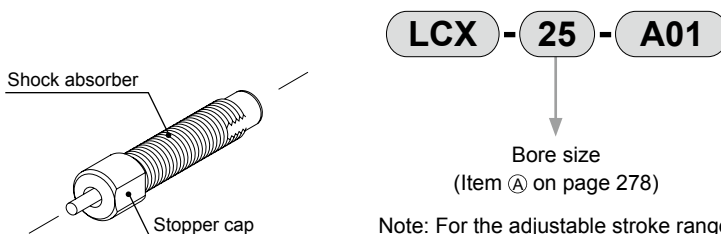
A Adjustable stroke range	
M01	Single side 10 mm (standard)
M02	Single side 20 mm

(Unit: g)

	Model No.		Weight
LCX	25	M01	30
	32	M02	40

How to order discrete shock absorber stopper

- Set of a shock absorber and stopper cap
- Use when changing from the rubber cushion stopper or metal stopper to the shock absorber stopper.



Note: For the adjustable stroke range with a shock absorber stopper, refer to page 285.

Applicable shock absorber model No.

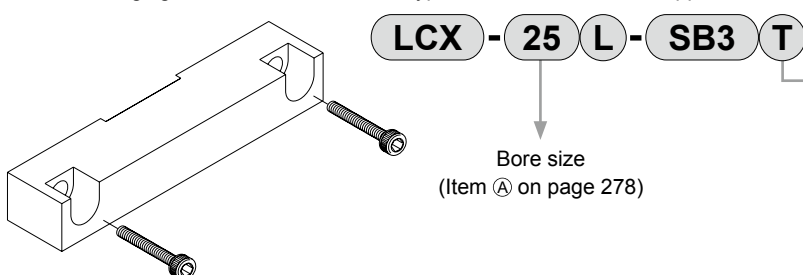
Model	Shock absorber model No.
LCX-25	NCK-00-1.2
LCX-32	NCK-00-1.2

(Unit: g)

	Model No.		Weight
LCX	25	A01	30
	32	A01	30

How to order discrete stopper block

- Use when changing from the standard to the type with rubber cushion stopper, metal stopper or shock absorber stopper.



A Material	
Blank	Stopper block material: steel
T	Stopper block material: steel (nitriding)

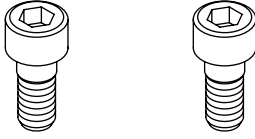
(Unit: g)

	Model No.		Weight
LCX	25L	SB3(T)	250
	32L	SB3(T)	250

How to order positioning bolt

- Hexagon socket head cap screw for positioning
- Enables assembling of the crossed unit and two-stage unit without adjusting the position.

LCX - 25 - J



(2 pieces/set)

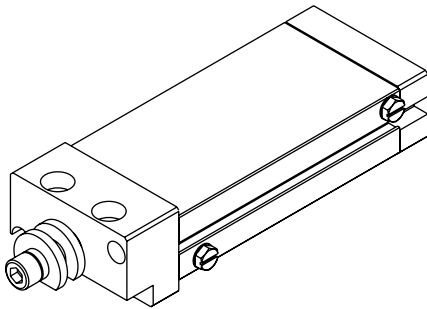
(Unit: g)

Model No.			Weight
LCX	25	J	10

* Weight per set (2 pieces)

How to order single cylinder

LCX - CYL - 25 L - 100



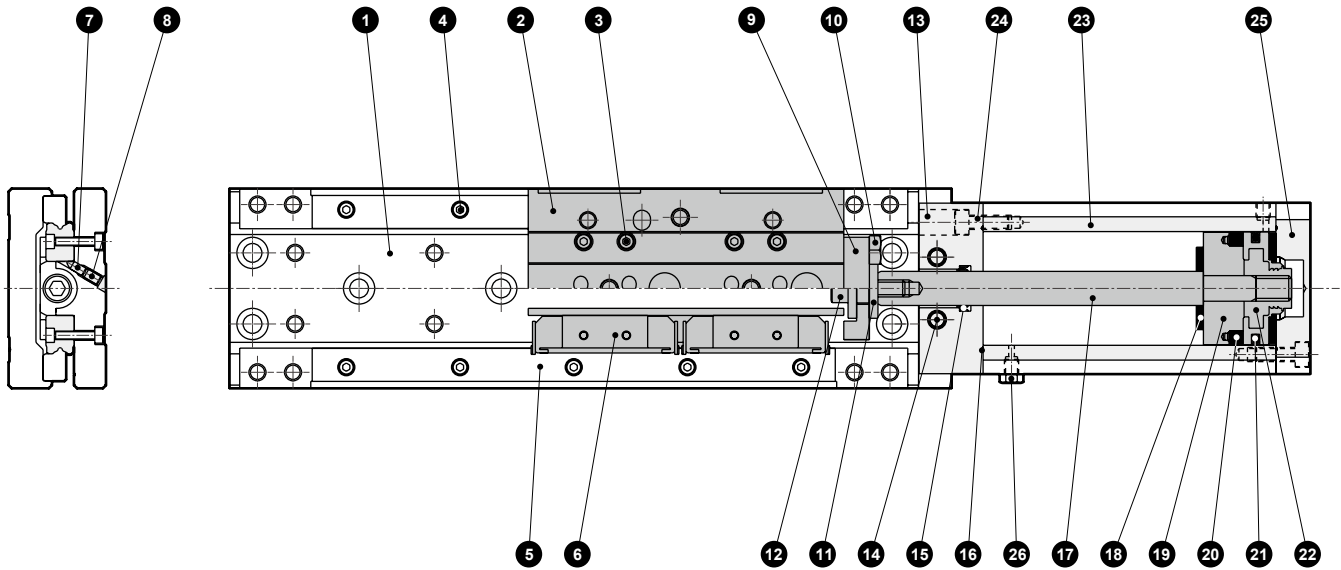
Bore size
(Item ㉑ on page 278)

Stroke length
(Item ㉒ on page 278)

- LCM
- LCR
- LCG
- LCW
- LCX**
- STM
- STG
- STS/STL
- STR2
- UCA2
- ULK*
- JSK/M2
- JSG
- JSC3/JSC4
- USSD
- UFCD
- USC
- UB
- JSB3
- LMB
- LML
- HCM
- HCA
- LBC
- CAC4
- UCAC2
- CAC-N
- UCAC-N
- RCS2
- RCC2
- PCC
- SHC
- MCP
- GLC
- MFC
- BBS
- RRC
- GRC
- RV3*
- NHS
- HRL
- LN
- Hand
- Chuk
- MechHnd/Chuk
- ShkAbs
- FJ
- FK
- SpdContr
- Ending

Internal structure and parts list

● LCX



Parts list

No.	Part name	Material	Remarks	No.	Part name	Material	Remarks
1	Base	Aluminum alloy	Alumite	14	Hexagon socket head cap screw	Alloy steel	Zinc chromate
2	Table	Aluminum alloy	Alumite	15	Rod packing	Nitrile rubber	
3	Hexagon socket head cap screw	Alloy steel	Zinc chromate	16	Gasket	Nitrile rubber	
4	Hexagon socket head cap screw	Alloy steel	Zinc chromate	17	Piston rod	Alloy steel	Industrial chrome plating
5	Guide rail	Alloy steel	Black chromium film	18	Cushion rubber	Urethane rubber	
6	Guide block	Alloy steel + resin	Black chromium film (alloy steel section)	19	Spacer	Aluminum alloy	
7	Adjusting pin	Stainless steel		20	Magnet	Plastic	
8	Hexagon socket set screw	Alloy steel	Zinc chromate	21	Piston packing	Nitrile rubber	
9	Plate	Aluminum alloy	Alumite	22	Piston	Aluminum alloy + polyacetal	
10	Hexagon head bolt	Stainless steel		23	Cylinder body	Aluminum alloy	Hard alumite
11	Floating bush	Stainless steel		24	Hexagon socket head cap screw	Stainless steel	
12	Hexagon socket head cap screw	Alloy steel	Zinc chromate	25	Head cover	Aluminum alloy	Alumite
13	Rod cover	Aluminum alloy	Alumite	26	Plug	Copper alloy	Nickeling

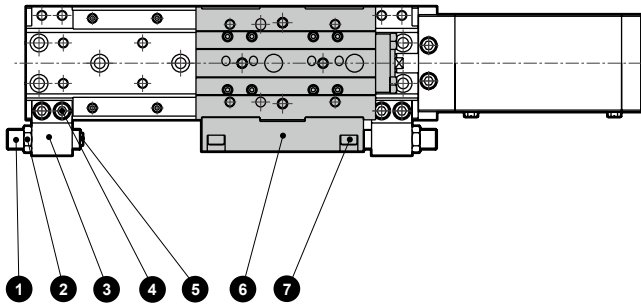
Repair parts list

Bore size (mm)	Kit No.	Basic parts are repair parts
ø25	LCX-25K	15 16
ø32	LCX-32K	18 21

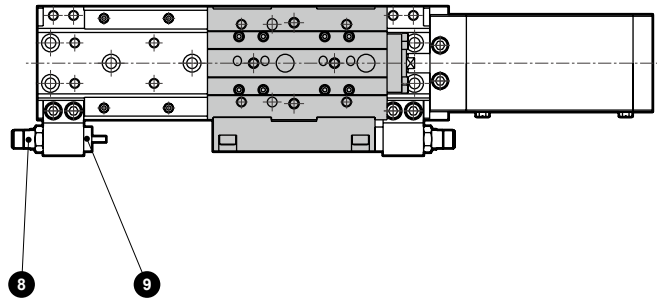
Internal structure and parts list

Structure with stopper

● Rubber cushion stopper, metal stopper



● Shock absorber stopper



Parts list

No.	Part name	Material	Remarks	No.	Part name	Material	Remarks
1	Stopper bolt	Alloy steel	Nickeling	6	Stopper block (Stopper block code: Blank)	Steel	Nickeling
2	Hexagon nut	Alloy steel	Zinc chromate		Stopper block (Stopper block code: T)	Steel	Nitriding
3	Stopper	Aluminum alloy	Alumite	7	Hexagon socket head cap screw	Alloy steel	Zinc chromate
4	Hexagon socket head cap screw	Alloy steel	Zinc chromate	8	Shock absorber		
5	Cushion rubber	Urethane rubber	Cushion rubber type stopper only	9	Stop cap	Stainless steel	

LCM
LCR
LCG
LCW
LCX
STM
STG
STS/STL
STR2
UCA2
ULK*
JSK/M2
JSG
JSC3/JSC4
USSD
UFCD
USC
UB
JSB3
LMB
LML
HCM
HCA
LBC
CAC4
UCAC2
CAC-N
UCAC-N
RCS2
RCC2
PCC
SHC
MCP
GLC
MFC
BBS
RRC
GRC
RV3*
NHS
HRL
LN
Hand
Chuk
MechHnd/Chuk
ShkAbs
FJ
FK
SpdContr
Ending

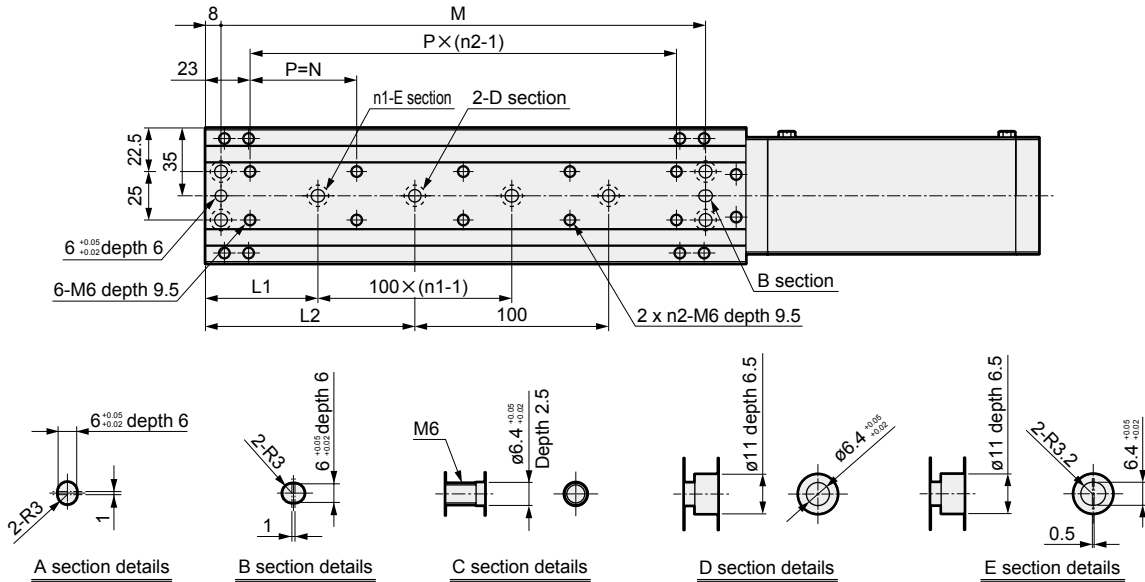
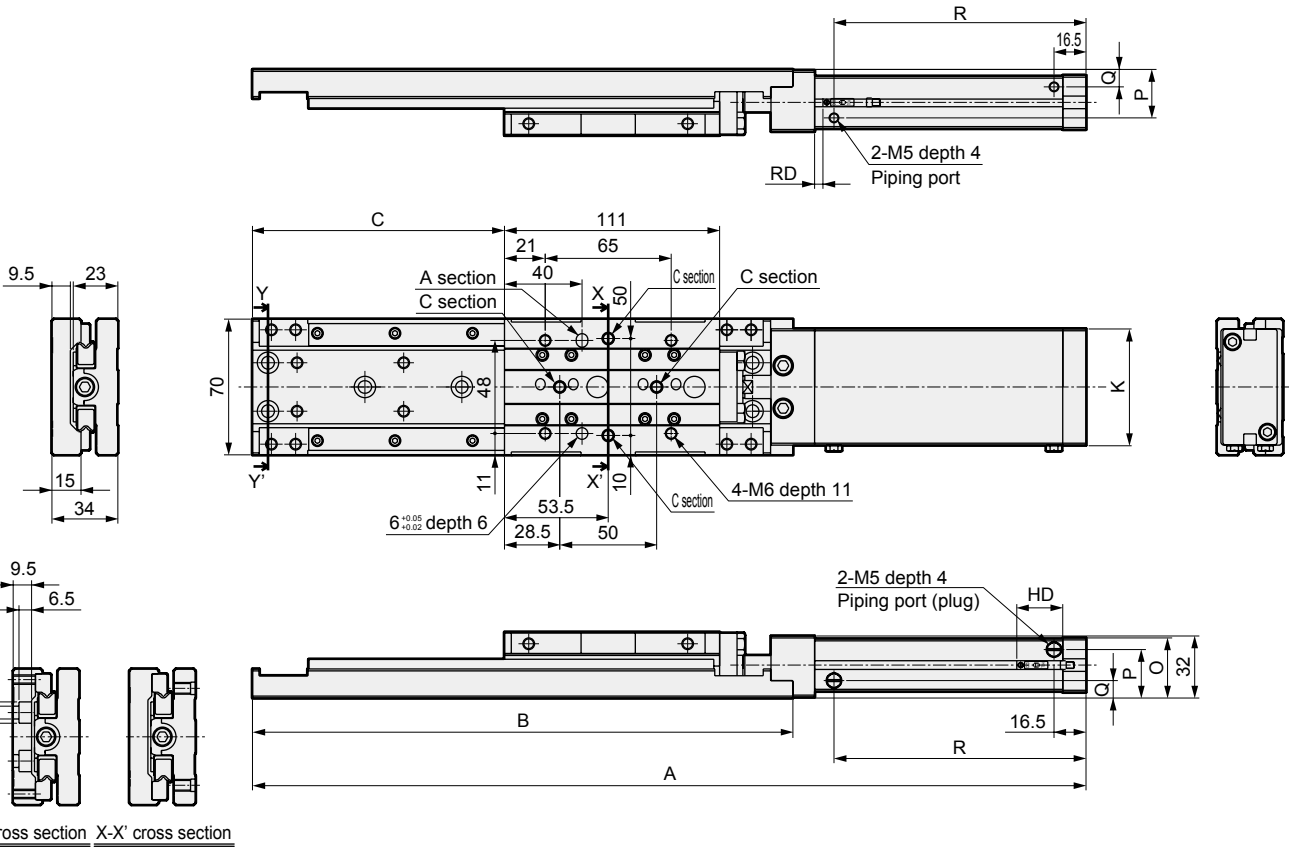
LCX-*L Series

Dimensions



● Double acting/single rod/long stroke length LCX-*L

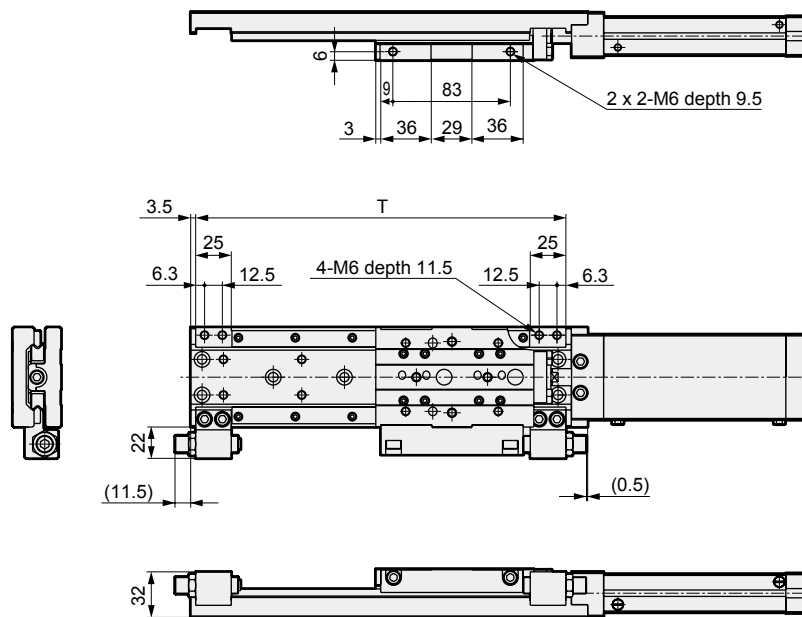
- LCM
- LCR
- LCG
- LCW
- LCX**
- STM
- STG
- STS/STL
- STR2
- UCA2
- ULK*
- JSK/M2
- JSG
- JSC3/JSC4
- USSD
- UFCD
- USC
- UB
- JSB3
- LMB
- LML
- HCM
- HCA
- LBC
- CAC4
- UCAC2
- CAC-N
- UCAC-N
- RCS2
- RCC2
- PCC
- SHC
- MCP
- GLC
- MFC
- BBS
- RRC
- GRC
- RV3*
- NHS
- HRL
- LN
- Hand
- Chuk
- MecHnd/Chuk
- ShkAbs
- FJ
- FK
- SpdContr
- Ending



Bore size	Stroke length	A	B	C	K	L1	L2	n1	n2	M	N	O	P	Q	R	RD			HD		
																T0*	T2*	T2W*	T0*	T2*	T2W*
																T5*	T3*	T3W*	T5*	T3*	T3W*
ø25	75	380	254	105	50	45.5	95.5	2	5	225	49	29.5	24.5	9.5	105	5	6.5	23.5	21.5		
	100	430	279	130		58	108	2	5	250	55									130	
	125	480	304	155		45.5	95.5	3	6	275	49									155	
	150	530	329	180		58	108	3	6	300	54									180	
ø32	75	380	254	105	60	45.5	95.5	2	5	225	49	31	25	9	105	5	6.5	23.5	21.5		
	100	430	279	130		58	108	2	5	250	55									130	
	125	480	304	155		45.5	95.5	3	6	275	49									155	
	150	530	329	180		58	108	3	6	300	54									180	

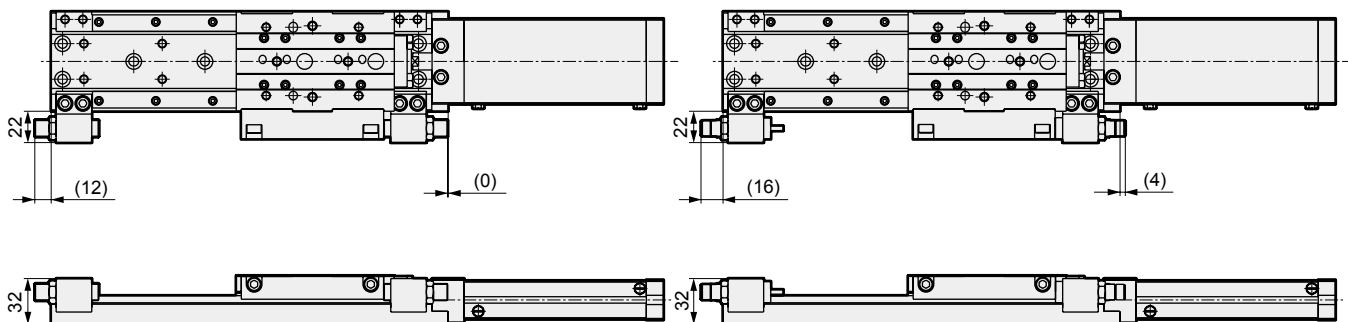
Dimensions: Option

- Rubber cushion stopper (S1 to S6)



- Metal stopper (M1 to M6)

- Shock absorber stopper (A1 to A6)

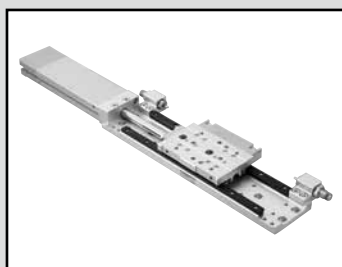


Note: When the adjustable stroke range increases or decreases with the rubber cushion stopper (S1 to S6) or metal stopper (M1 to M6), the dimensions in () increase or decrease accordingly.

Bore size	Stroke length	T	Adjustable stroke range (single side)		
			Cushion stopper	Metal stopper	Shock absorber stopper
ø25	75	235	10	10	7
	100	260			
	125	285			
	150	310			
ø32	75	235	10	10	7
	100	260			
	125	285			
	150	310			

- LCM
- LCR
- LCG
- LCW
- LCX**
- STM
- STG
- STS/STL
- STR2
- UCA2
- ULK*
- JSK/M2
- JSG
- JSC3/JSC4
- USSD
- UFCD
- USC
- UB
- JSB3
- LMB
- LML
- HCM
- HCA
- LBC
- CAC4
- UCAC2
- CAC-N
- UCAC-N
- RCS2
- RCC2
- PCC
- SHC
- MCP
- GLC
- MFC
- BBS
- RRC
- GRC
- RV3*
- NHS
- HRL
- LN
- Hand
- Chuk
- MechHnd/Chuk
- ShkAbs
- FJ
- FK
- SpdContr
- Ending

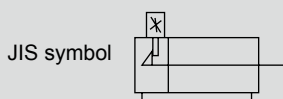
LCM
LCR
LCG
LCW
LCX
STM
STG
STS/STL
STR2
UCA2
ULK*
JSK/M2
JSG
JSC3/JSC4
USSD
UFCD
USC
UB
JSB3
LMB
LML
HCM
HCA
LBC
CAC4
UCAC2
CAC-N
UCAC-N
RCS2
RCC2
PCC
SHC
MCP
GLC
MFC
BBS
RRC
GRC
RV3*
NHS
HRL
LN
Hand
Chuk
MecHnd/Chuk
ShkAbs
FJ
FK
SpdContr
Ending



Linear slide cylinder
Double acting/single rod/position locking Long stroke length

LCX-Q-*L Series

● Bore size: $\phi 25/\phi 32$



Specifications

Item	LCX-Q-*L	
Bore size mm	$\phi 25$	$\phi 32$
Actuation	Double acting	
Working fluid	Compressed air	
Max. working pressure MPa	0.7 (≈ 100 psi, 7 bar)	
Min. working pressure MPa	0.15 (≈ 22 psi, 1.5 bar)	
Proof pressure MPa	1.05 (≈ 150 psi, 10.5 bar)	
Ambient temperature $^{\circ}\text{C}$	-10 (14 $^{\circ}\text{F}$) to 60 (140 $^{\circ}\text{F}$) (no freezing) (*1)	
Port size	M5	
Stroke tolerance mm	+2.0 0 (*2)	
Working piston speed mm/s	20 to 500 (*3)	
Cushion	With rubber cushion	
Holding force N	130	230
Position locking mechanism	Head side	
Lubrication	Not available	
Allowable absorbed energy J	Refer to Table 3 on page 299.	

Stroke length

Bore size (mm)	Standard stroke length (mm)
$\phi 25$	75, 100, 125, 150
$\phi 32$	75, 100, 125, 150

Note: Products with stroke lengths other than the above are not available.

*1 : Contact CKD if the use environment is always cold (5 $^{\circ}\text{C}$ or below) or hot (40 $^{\circ}\text{C}$ and above).
*2 : Note that there will be a slight gap between the plate and floating bush if no stopper is attached.
*3 : Keep within 20 to 200 mm/s when using a metal stopper.

Theoretical thrust table

Refer to page 298.

Switch specifications

Item	Reed 2-wire		Proximity 2-wire		Proximity 3-wire		
	T0H/T0V	T5H/T5V	T2H/T2V	T2WH/T2WV	T3H/T3V	T3PH/T3PV	T3WH/T3WV
Applications	For programmable controller, relay	For programmable controller, relay, IC circuit (without indicator lamp), serial connection	Dedicated for programmable controller		For programmable controller, relay		
Output method	-	-	-		NPN output	PNP output	NPN output
Power supply voltage	-		-		10 to 28 VDC		
Load voltage	12/24 VDC 110 VAC	5/12/24 VDC 110 VAC	10 to 30 VDC 24 VDC $\pm 10\%$		30 VDC or less		
Load current	5 to 50 mA 7 to 20 mA	50 mA or less 20 mA or less	5 to 20 mA		100 mA or less	50 mA or less	50 mA or less
Indicator lamp	LED (Lit when ON)	Without indicator lamp	LED (Lit when ON)	Red/green LED (Lit when ON)	LED (Lit when ON)	Yellow LED (Lit when ON)	Red/green LED (Lit when ON)
Leakage current	0 mA		1 mA or less		10 μA or less		
Weight g	1 m:18 3 m:49 5 m:80		1 m:18 3 m:49 5 m:80		1 m:18 3 m:49 5 m:80		

*1 : Refer to Ending Page 1 for detailed switch specifications and dimensions.
*2 : Switches other than the above models, such as switches with connectors, are also available. Refer to Ending Page 1.
*3 : The max. load current is 20 mA at 25 $^{\circ}\text{C}$. The current is lower than 20 mA if the operating ambient temperature around the switch is higher than 25 $^{\circ}\text{C}$. (5 to 10 mA at 60 $^{\circ}\text{C}$)

Cylinder weight

● Position locking

Bore size (mm)	Basic Stroke length (mm)			
	75	100	125	150
$\phi 25$	1,580	1,720	1,870	2,010
$\phi 32$	1,730	1,880	2,030	2,180

● Weight of variation/option (stopper)

(Unit: g)

Bore size (mm)	Option/stopper code		
	S1/S2	M1/M2	A1/A2
$\phi 25$	320		
$\phi 32$	320		

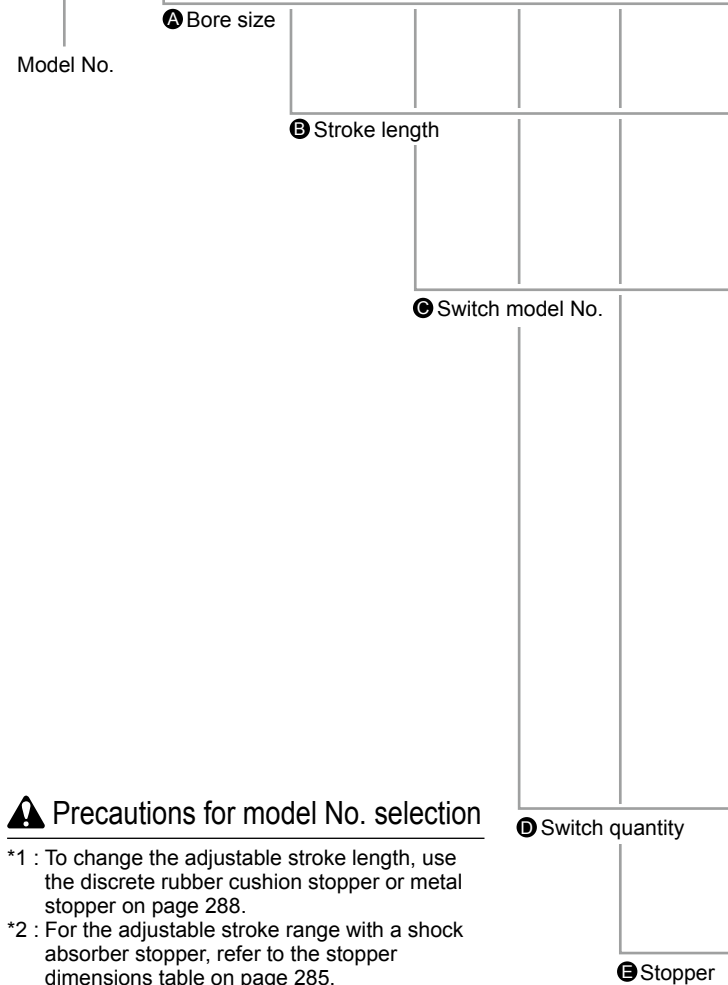
How to order

Without switch (built-in magnet for switch)

LCX-Q-25 L - 100 S5

With switch (built-in magnet for switch)

LCX-Q-25 L - 100 - T2H* - R - S1T



⚠ Precautions for model No. selection

- *1 : To change the adjustable stroke length, use the discrete rubber cushion stopper or metal stopper on page 288.
- *2 : For the adjustable stroke range with a shock absorber stopper, refer to the stopper dimensions table on page 285.
- *3 : The steel stopper block (nitrided) (code: T) is recommended for a metal stopper.
- *4 : Combination of the rubber cushion stopper, metal stopper and shock absorber stopper is made to order.
- *5 : Keep within 20 to 200 mm/s when using a metal stopper.
- *6 : Can be selected for the type with stopper only.
- *7 : Do not attach to the stopper positions ③ and ④ since the locking mechanism works at the stroke end.
- *8 : The long stroke length has a positioning hole option as standard.
- *9 : Refer to page 289 for single cylinder model No.

[Example of model No.]

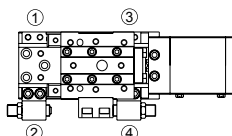
LCX-Q-25L-100-T2H-R-S1T

Model: Linear slide cylinder

Double acting/position locking LCX-Q

- A Bore size : $\varnothing 25$
- B Stroke length : 100 mm
- C Switch model No. : Proximity/2-wire
Axial lead wire
- D Switch quantity : 1 on rod side
- E Stopper : Cushion stopper
Stopper position①
Material, steel (nitriding)

● Stopper position



Code	Description					
A Bore size						
25	$\varnothing 25$					
32	$\varnothing 32$					
B Stroke length (mm)						
75	75					
100	100					
125	125					
150	150					
C Switch model No.						
Axial lead wire	Radial lead wire	Contact	Voltage		Indicator lamp	Lead wire
T0H*	T0V*	Reed	AC	DC	1-color display	2-wire
T5H*	T5V*		●	●	Without indicator lamp	
T2H*	T2V*	Proximity		●	1-color display	2-wire
T3H*	T3V*			●	display	3-wire
T3PH*	T3PV*			●	1-color display (PNP output)	3-wire
T2WH*	T2WV*		●	●	2-color display	2-wire
T3WH*	T3WV*		●	●	display	3-wire
* Lead wire length						
Blank	1 m (standard)					
3	3 m (option)					
5	5 m (option)					
D Switch quantity						
R	1 on rod side					
H	1 on head side					
D	2					
E Stopper						
Blank	Without stopper					
S Cushion stopper *1, *4, *7						
S1*	Stopper position①					Stopper mount position
S2*	Stopper position②					position
M Metal stopper *1, *3, *4, *5, *7						
M1*	Stopper position①					Stopper mount position
M2*	Stopper position②					position
A Shock absorber stopper *2, *4, *7						
A1*	Stopper position①					Stopper mount position
A2*	Stopper position②					position
* part						
Blank	Stopper block material: steel					
T	Stopper block material: steel (nitriding) *6					

LCM
LCR
LCG
LCW
LCX
STM
STG
STS/STL
STR2
UCA2
ULK*
JSK/M2
JSG
JSC3/JSC4
USSD
UFCD
USC
UB
JSB3
LMB
LML
HCM
HCA
LBC
CAC4
UCAC2
CAC-N
UCAC-N
RCS2
RCC2
PCC
SHC
MCP
GLC
MFC
BBS
RRC
GRC
RV3*
NHS
HRL
LN
Hand
Chuk
MechHnd/Chuk
ShkAbs
FJ
FK
SpdContr
Ending

- LCM
- LCR
- LCG
- LCW
- LCX**
- STM
- STG
- STS/STL
- STR2
- UCA2
- ULK*
- JSK/M2
- JSG
- JSC3/JSC4
- USSD
- UFCD
- USC
- UB
- JSB3
- LMB
- LML
- HCM
- HCA
- LBC
- CAC4
- UCAC2
- CAC-N
- UCAC-N
- RCS2
- RCC2
- PCC
- SHC
- MCP
- GLC
- MFC
- BBS
- RRC
- GRC
- RV3*
- NHS
- HRL
- LN
- Hand
- Chuk
- MecHnd/Chuk
- ShkAbs
- FJ
- FK
- SpdContr
- Ending

How to order switch

SW - T2H3

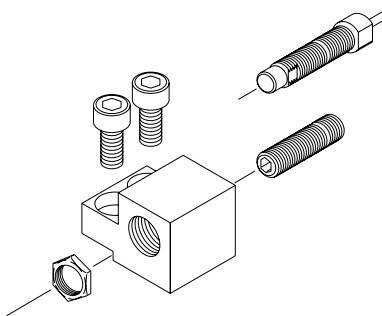
Switch model No.
(Item © on page 287)

How to order a stopper set

- Set of a stopper and rubber cushion stopper, metal stopper or shock absorber stopper
- Use when changing from the standard to the type with rubber cushion stopper, metal stopper or shock absorber stopper.

LCX - 25 - S 2 - S02

Bore size
(Item A on page 287)



A Stopper	
S	Cushion stopper
M	Metal stopper
A	Shock absorber stopper

B Stopper installation position	
1	Stopper position①
2	Stopper position②

C Adjustable stroke length ^{*1}	
Blank	Adjustable stroke range 10 mm
S02	Adjustable stroke range 20 mm

*1: Cannot be selected for the shock absorber stopper "A".

(Unit: g)

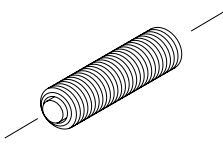
Model No.			Weight	
LCX	25	S1	Blank	70
		S2	S02	80
	32	M1	Blank	70
		M2	S02	80
		A1	-	70
		A2	-	70

How to order discrete rubber cushion stopper

- Hexagon socket set screw with urethane
- Use when changing the adjustable stroke range or when using a custom stroke length.

LCX - 25 - S02

Bore size
(Item A on page 287)



A Adjustable stroke range	
S01	Single side 10 mm (standard)
S02	Single side 20 mm

(Unit: g)

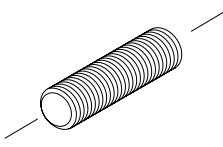
Model No.			Weight
LCX	25	S01	30
	32	S02	40

How to order discrete metal stopper

- Use when changing the adjustable stroke range or when using a custom stroke length.

LCX - 25 - M02

Bore size
(Item A on page 287)



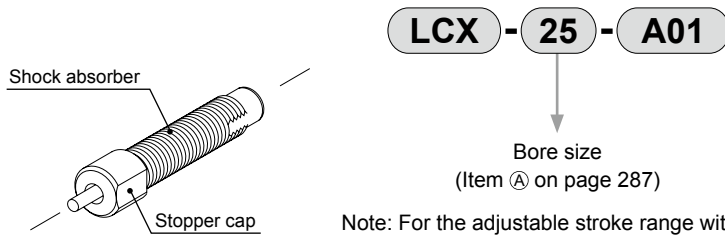
A Adjustable stroke range	
M01	Single side 10 mm (standard)
M02	Single side 20 mm

(Unit: g)

Model No.			Weight
LCX	25	M01	30
	32	M02	40

How to order discrete shock absorber stopper

- Set of a shock absorber and stopper cap
- Use when changing from the rubber cushion stopper or metal stopper to the shock absorber stopper.



Note: For the adjustable stroke range with a shock absorber stopper, refer to page 285.

Applicable shock absorber model No.

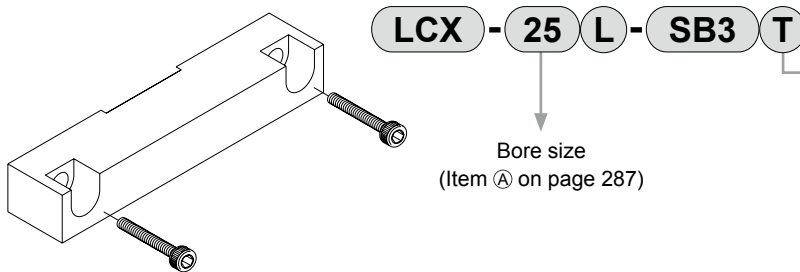
Model	Shock absorber model No.
LCX-25	NCK-00-1.2
LCX-32	NCK-00-1.2

(Unit: g)

Model No.	Weight
LCX 25	30
LCX 32	30

How to order discrete stopper block

- Use when changing from the standard to the type with rubber cushion stopper, metal stopper or shock absorber stopper.



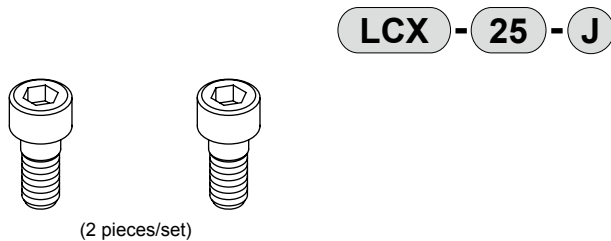
A Material	
Blank	Stopper block material: steel
T	Stopper block material: steel (nitriding)

(Unit: g)

Model No.	Weight
LCX 25L	250
LCX 32L	250

How to order positioning bolt

- Hexagon socket head cap screw for positioning
- Enables assembling of the crossed unit and two-stage unit without adjusting the position.

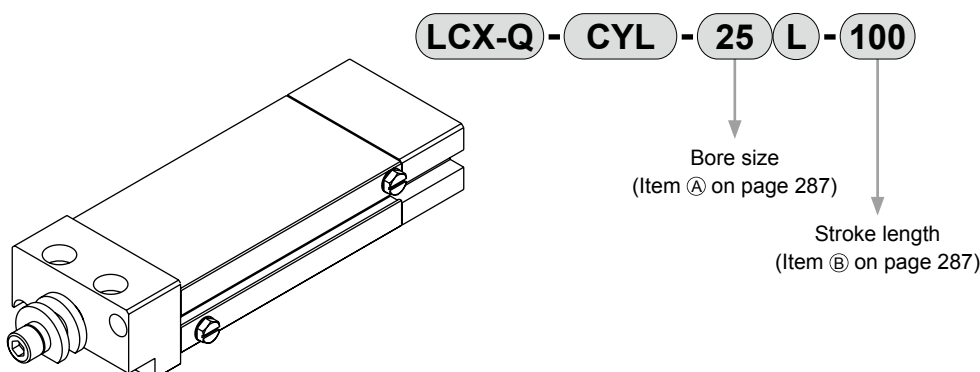


(Unit: g)

Model No.	Weight
LCX 25	10

* Weight per set (2 pieces)

How to order single cylinder

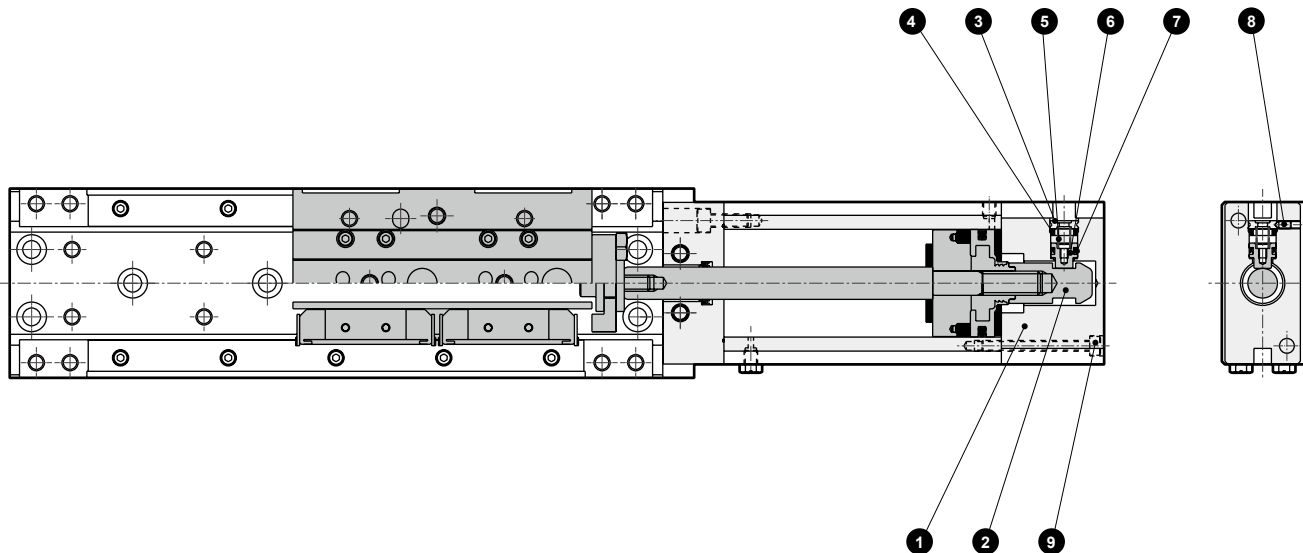


- LCM
- LCR
- LCG
- LCW
- LCX**
- STM
- STG
- STS/STL
- STR2
- UCA2
- ULK*
- JSK/M2
- JSG
- JSC3/JSC4
- USSD
- UFCD
- USC
- UB
- JSB3
- LMB
- LML
- HCM
- HCA
- LBC
- CAC4
- UCAC2
- CAC-N
- UCAC-N
- RCS2
- RCC2
- PCC
- SHC
- MCP
- GLC
- MFC
- BBS
- RRC
- GRC
- RV3*
- NHS
- HRL
- LN
- Hand
- Chuk
- MechHnd/Chuk
- ShkAbs
- FJ
- FK
- SpdContr
- Ending

LCM
LCR
LCG
LCW
LCX
STM
STG
STS/STL
STR2
UCA2
ULK*
JSK/M2
JSG
JSC3/JSC4
USSD
UFCD
USC
UB
JSB3
LMB
LML
HCM
HCA
LBC
CAC4
UCAC2
CAC-N
UCAC-N
RCS2
RCC2
PCC
SHC
MCP
GLC
MFC
BBS
RRC
GRC
RV3*
NHS
HRL
LN
Hand
Chuk
MecHnd/Chuk
ShkAbs
FJ
FK
SpdContr
Ending

Internal structure and parts list

● LCX



Parts list

No.	Part name	Material	Remarks	No.	Part name	Material	Remarks
1	Head cover	Aluminum alloy	Alumite	6	Stopper piston	Carbon steel	Nitriding
2	Sleeve	Carbon steel	Nitriding	7	Stopper packing	Nitrile rubber	
3	Stopper cover	Stainless steel		8	Hexagon socket set screw	Alloy steel	Black finish
4	Cushion rubber	Urethane rubber		9	Hexagon socket head cap screw	Alloy steel	Zinc chromate
5	Coil spring	Steel					

Repair parts list

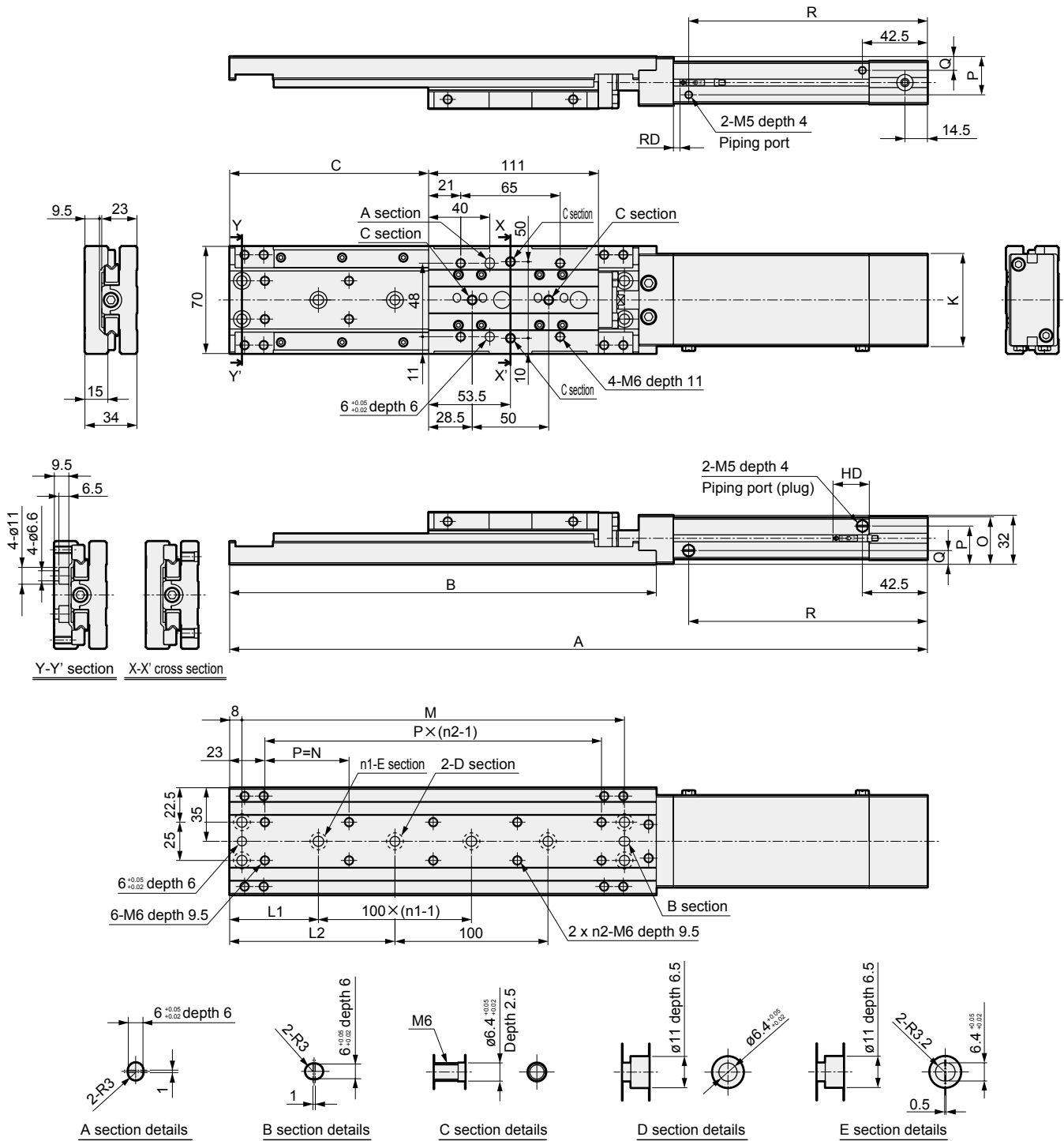
Bore size (mm)	Kit No.	Repair parts No.	
		Repair parts for position locking	Basic parts are repair parts
ø25	LCX-Q-25K		15 16
ø32	LCX-Q-32K	4 7	18 21

Note: The repair part numbers for base section correspond to those of the double acting/single rod/long stroke length on page 282.

Dimensions



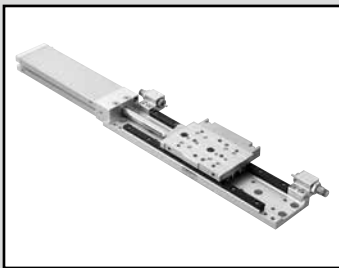
● Double acting/position locking/long stroke length LCX-Q-*L



LCM
LCR
LCG
LCW
LCX
STM
STG
STS/STL
STR2
UCA2
ULK*
JSK/M2
JSG
JSC3/JSC4
USSD
UFCD
USC
UB
JSB3
LMB
LML
HCM
HCA
LBC
CAC4
UCAC2
CAC-N
UCAC-N
RCS2
RCC2
PCC
SHC
MCP
GLC
MFC
BBS
RRC
GRC
RV3*
NHS
HRL
LN
Hand
Chuk
MechHnd/Chuk
ShkAbs
FJ
FK
SpdContr
Ending

Bore size	Stroke length	A	B	C	K	L1	L2	n1	n2	M	N	O	P	Q	R	RD			HD			
																T0*	T2*	T2W*	T0*	T2*	T2W*	
																T5*	T3*	T3W*	T5*	T3*	T3W*	
ø25	75	406	254	105	50	45.5	95.5	2	5	225	49	29.5	24.5	9.5	131	5	6.5	23.5	21.5			
	100	456	279	130		58	108	2	5	250	55											156
	125	506	304	155		45.5	95.5	3	6	275	49											181
	150	556	329	180		58	108	3	6	300	54											206
ø32	75	406	254	105	60	45.5	95.5	2	5	225	49	31	25	9	131	5	6.5	23.5	21.5			
	100	456	279	130		58	108	2	5	250	55											156
	125	506	304	155		45.5	95.5	3	6	275	49											181
	150	556	329	180		58	108	3	6	300	54											206

LCM
LCR
LCG
LCW
LCX
STM
STG
STS/STL
STR2
UCA2
ULK*
JSK/M2
JSG
JSC3/JSC4
USSD
UFCD
USC
UB
JSB3
LMB
LML
HCM
HCA
LBC
CAC4
UCAC2
CAC-N
UCAC-N
RCS2
RCC2
PCC
SHC
MCP
GLC
MFC
BBS
RRC
GRC
RV3*
NHS
HRL
LN
Hand
Chuk
MecHnd/Chuk
ShkAbs
FJ
FK
SpdContr
Ending



Linear slide cylinder double acting/single rod
Clean-room specifications/long stroke length

LCX-*L-P7* Series

● Bore size: $\phi 25/\phi 32$



Specifications

Item	LCX-*L-P7*	
Bore size mm	$\phi 25$	$\phi 32$
Actuation	Double acting	
Working fluid	Compressed air	
Max. working pressure MPa	0.7 (≈ 100 psi, 7 bar)	
Min. working pressure MPa	0.15 (≈ 22 psi, 1.5 bar)	
Proof pressure MPa	1.05 (≈ 150 psi, 10.5 bar)	
Ambient temperature $^{\circ}\text{C}$	-10 (14 $^{\circ}\text{F}$) to 60 (140 $^{\circ}\text{F}$) (no freezing) (*1)	
Port size	M5	
Pressure relief port size	M5	
Stroke tolerance mm	+2.0 0 (*2)	
Working piston speed mm/s	20 to 500	
Cushion	With rubber cushion	
Lubrication	Not available	
Allowable absorbed energy J	Refer to Table 3 on page 299.	

Stroke length

Bore size (mm)	Standard stroke length (mm)
$\phi 25$	75, 100, 125, 150
$\phi 32$	75, 100, 125, 150

Note: Products with stroke lengths other than the above are not available.

*1: Contact CKD if the use environment is always cold (5°C or below) or hot (40°C and above).
*2: Note that there will be a slight gap between the plate and floating bush if no stopper is attached.
*3: Keep within 20 to 200 mm/s when using a metal stopper.

Theoretical thrust table

Refer to page 298.

Switch specifications

Item	Reed 2-wire				Proximity 2-wire			Proximity 3-wire		
	T0H/T0V		T5H/T5V		T2H/T2V	T2WH/T2WV	T3H/T3V	T3PH/T3PV	T3WH/T3WV	
Applications	For programmable controller, relay		For programmable controller, relay, IC circuit (without indicator lamp), serial connection		Dedicated for programmable controller			For programmable controller, relay		
Output method	-		-		-			NPN output	PNP output	NPN output
Power supply voltage	-		-		-			10 to 28 VDC		
Load voltage	12/24 VDC	110 VAC	5/12/24 VDC	110 VAC	10 to 30 VDC	24 VDC $\pm 10\%$	30 VDC or less			
Load current	5 to 50 mA	7 to 20 mA	50 mA or less	20 mA or less	5 to 20 mA			100 mA or less	50 mA or less	
Indicator lamp	LED (Lit when ON)		Without indicator lamp		LED (Lit when ON)	Red/green LED (Lit when ON)	LED (Lit when ON)	Yellow LED (Lit when ON)	Red/green LED (Lit when ON)	
Leakage current	0 mA				1 mA or less			10 μA or less		
Weight g	1 m:18 3 m:49 5 m:80				1 m:18 3 m:49 5 m:80			1 m:18 3 m:49 5 m:80		

*1 : Refer to Ending Page 1 for detailed switch specifications and dimensions.

*2 : Switches other than the above models, such as switches with connectors, are also available. Refer to Ending Page 1.

*3 : The max. load current is 20 mA at 25°C . The current is lower than 20 mA if the operating ambient temperature around the switch is higher than 25°C . (5 to 10 mA at 60°C)

Cylinder weight

● Clean-room specifications

(Unit: g)

Bore size (mm)	Basic Stroke length (mm)			
	75	100	125	150
$\phi 25$	1,530	1,670	1,820	1,960
$\phi 32$	1,660	1,810	1,960	2,110

● Weight of variation/option (stopper)

(Unit: g)

Bore size (mm)	Option/stopper code			
	S1 to S4	M1 to M4	S5/S6	M5/M6
$\phi 25$	320		400	
$\phi 32$	320		400	

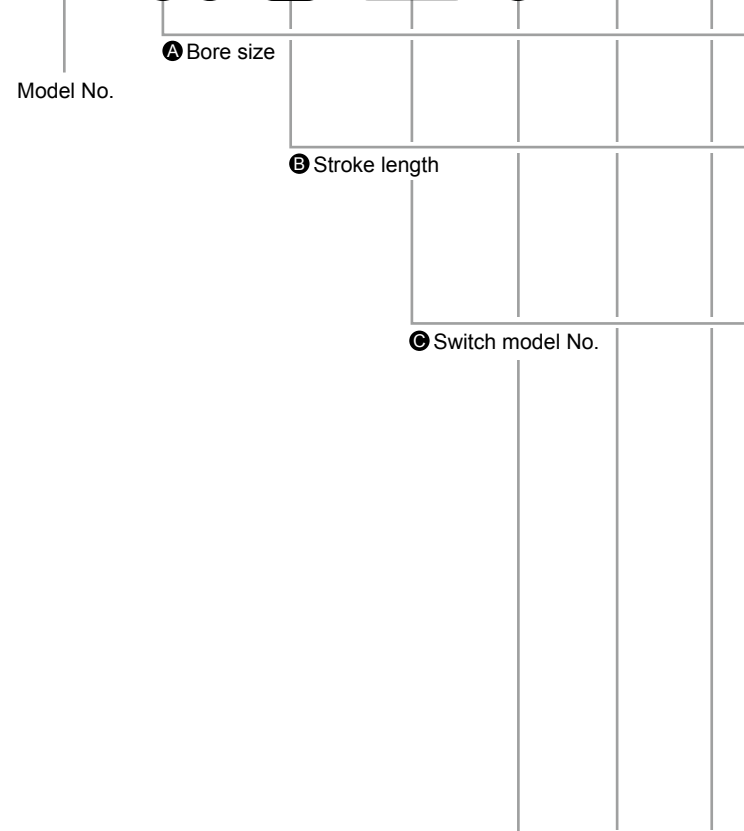
How to order

Without switch (built-in magnet for switch)

LCX - 25 L - 100 - S5 P72

With switch (built-in magnet for switch)

LCX - 25 L - 100 - T2H* - R - S1T P72



⚠ Precautions for model No. selection

- *1 : To change the adjustable stroke length, use the discrete rubber cushion stopper or metal stopper on page 294.
- *2 : Can be selected for the type with stopper only.
- *3 : The steel stopper block (nitrided) (code: T) is recommended for a metal stopper.
- *4 : Combination of the rubber cushion stopper and metal stopper is made to order.
- *5 : Keep within 20 to 200 mm/s when using a metal stopper.
- *6 : Refer to page 295 for single cylinder model No.
- *7 : The long stroke length has a positioning hole option as standard.

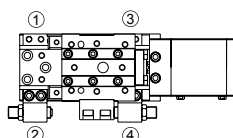
[Example of model No.]

LCX-25L-100-T2H-R-S1TP72

Model: Linear slide cylinder
 Double acting/single rod
 (clean-room specifications) LCX-P7*

- A** Bore size : $\phi 25$
- B** Stroke length : 100 mm
- C** Switch model No.: Proximity/2-wire
 Axial lead wire
- D** Switch quantity : 1 on rod side
- E** Stopper : Cushion stopper
 Stopper position ①
 Material, steel (nitriding)
- F** Clean-room specifications : Exhaust port

● Stopper position



Code	Description						
A Bore size							
25	$\phi 25$						
32	$\phi 32$						
B Stroke length (mm)							
75	75						
100	100						
125	125						
150	150						
C Switch model No.							
Axial lead wire	Radial lead wire	Contact	Voltage		Indicator lamp	Lead wire	
AC	DC						
T0H*	T0V*	Reed	●	●	1-color display	2-wire	
T5H*	T5V*		●	●	Without indicator lamp		
T2H*	T2V*	Proximity		●	1-color display	2-wire	
T3H*	T3V*			●	display	3-wire	
T3PH*	T3PV*			●	1-color display (PNP output)	3-wire	
T2WH*	T2WV*			●	2-color display	2-wire	
T3WH*	T3WV*			●	display	3-wire	
* Lead wire length							
Blank	1 m (standard)						
3	3 m (option)						
5	5 m (option)						
D Switch quantity							
R	1 on rod side						
H	1 on head side						
D	2						
E Stopper							
Blank	Without stopper						
S Cushion stopper *1, *4							
S1*	Stopper position ① (can be changed to ④)						Stopper installation position
S2*	Stopper position ② (can be changed to ③)						
S3*	Stopper position ③ (can be changed to ②)						
S4*	Stopper position ④ (can be changed to ①)						
S5*	Stopper position ①,③						
S6*	Stopper position ②,④						
M Metal stopper *1, *3, *4, *5							
M1*	Stopper position ① (can be changed to ④)						Stopper installation position
M2*	Stopper position ② (can be changed to ③)						
M3*	Stopper position ③ (can be changed to ②)						
M4*	Stopper position ④ (can be changed to ①)						
M5*	Stopper position ①,③						
M6*	Stopper position ②,④						
* part							
Blank	Stopper block material: steel						
T	Stopper block material: steel (nitriding) *2						
F Clean-room specifications							
Structure							
P72	Exhaust port						
P73	Vacuum treatment						

LCM
LCR
LCG
LCW
LCX
STM
STG
STS/STL
STR2
UCA2
ULK*
JSK/M2
JSG
JSC3/JSC4
USSD
UFCD
USC
UB
JSB3
LMB
LML
HCM
HCA
LBC
CAC4
UCAC2
CAC-N
UCAC-N
RCS2
RCC2
PCC
SHC
MCP
GLC
MFC
BBS
RRC
GRC
RV3*
NHS
HRL
LN
Hand
Chuk
MechHnd/Chuk
ShkAbs
FJ
FK
SpdContr
Ending

LCM
LCR
LCG
LCW
LCX
STM
STG
STS/STL
STR2
UCA2
ULK*
JSK/M2
JSG
JSC3/JSC4
USSD
UFCD
USC
UB
JSB3
LMB
LML
HCM
HCA
LBC
CAC4
UCAC2
CAC-N
UCAC-N
RCS2
RCC2
PCC
SHC
MCP
GLC
MFC
BBS
RRC
GRC
RV3*
NHS
HRL
LN
Hand
Chuk
MecHnd/Chuk
ShkAbs
FJ
FK
SpdContr
Ending

How to order switch

SW - T2H3

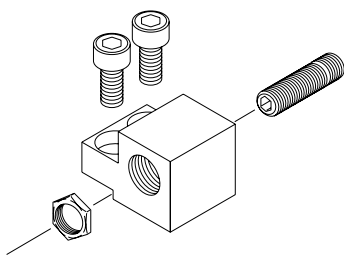
Switch model No.
(Item © on page 293)

How to order a stopper set

- Set of a stopper and rubber cushion stopper or metal stopper
- Use when changing from the standard to the type with rubber cushion stopper or metal stopper.

LCX - 25 - S 2 - S02

Bore size
(Item A on page 293)



A Stopper	
S	Cushion stopper
M	Metal stopper

B Stopper installation position	
1	Stopper position for ① or ④
2	Stopper position for ② or ③

C Adjustable stroke length ^{*1}	
Blank	Adjustable stroke range 10 mm
S02	Adjustable stroke range 20 mm

(Unit: g)

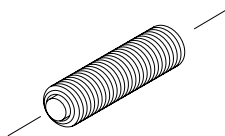
Model No.			Weight	
LCX	25	S1	Blank	70
		S2	S02	80
	32	M1	Blank	70
		M2	S02	80
		A1	-	70
		A2	-	70

How to order discrete rubber cushion stopper

- Hexagon socket set screw with urethane
- Use when changing the adjustable stroke range or when using a custom stroke length.

LCX - 25 - S02

Bore size
(Item A on page 293)



A Adjustable stroke range	
S01	Single side 10 mm (standard)
S02	Single side 20 mm

(Unit: g)

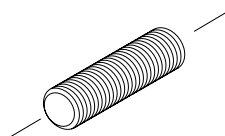
Model No.			Weight
LCX	25	S01	30
	32	S02	40

How to order discrete metal stopper

- Use when changing the adjustable stroke range or when using a custom stroke length.

LCX - 25 - M02

Bore size
(Item A on page 293)



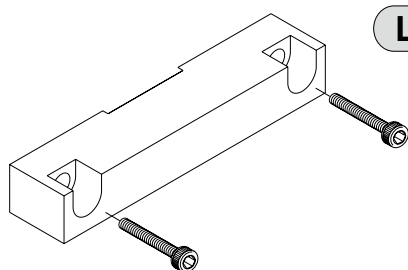
A Adjustable stroke range	
M01	Single side 10 mm (standard)
M02	Single side 20 mm

(Unit: g)

Model No.			Weight
LCX	25	M01	30
	32	M02	40

How to order discrete stopper block

- Use when changing from the standard to the type with rubber cushion stopper or metal stopper.



LCX - 25 L - SB3 T

Bore size
(Item ① on page 293)

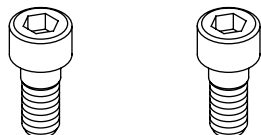
① Material	
Blank	Stopper block material: steel
T	Stopper block material: steel (nitriding)

(Unit: g)

LCX	Model No.		Weight
	25L	32L	
		SB3(T)	250

How to order positioning bolt

- Hexagon socket head cap screw for positioning
- Enables assembling of the crossed unit and two-stage unit without adjusting the position.



(2 pieces/set)

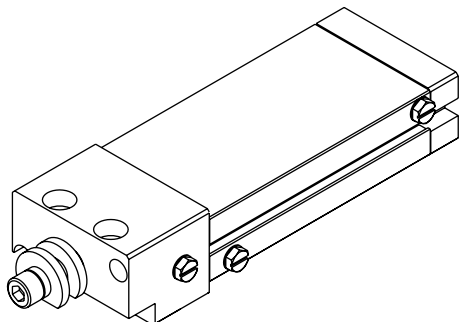
LCX - 25 - J

(Unit: g)

LCX	Model No.		Weight
	25	J	
			10

* Weight per set (2 pieces)

How to order single cylinder



LCX - CYL - 25 L - 100 - P72

Bore size
(Item ① on page 293)

Stroke length
(Item ② on page 293)

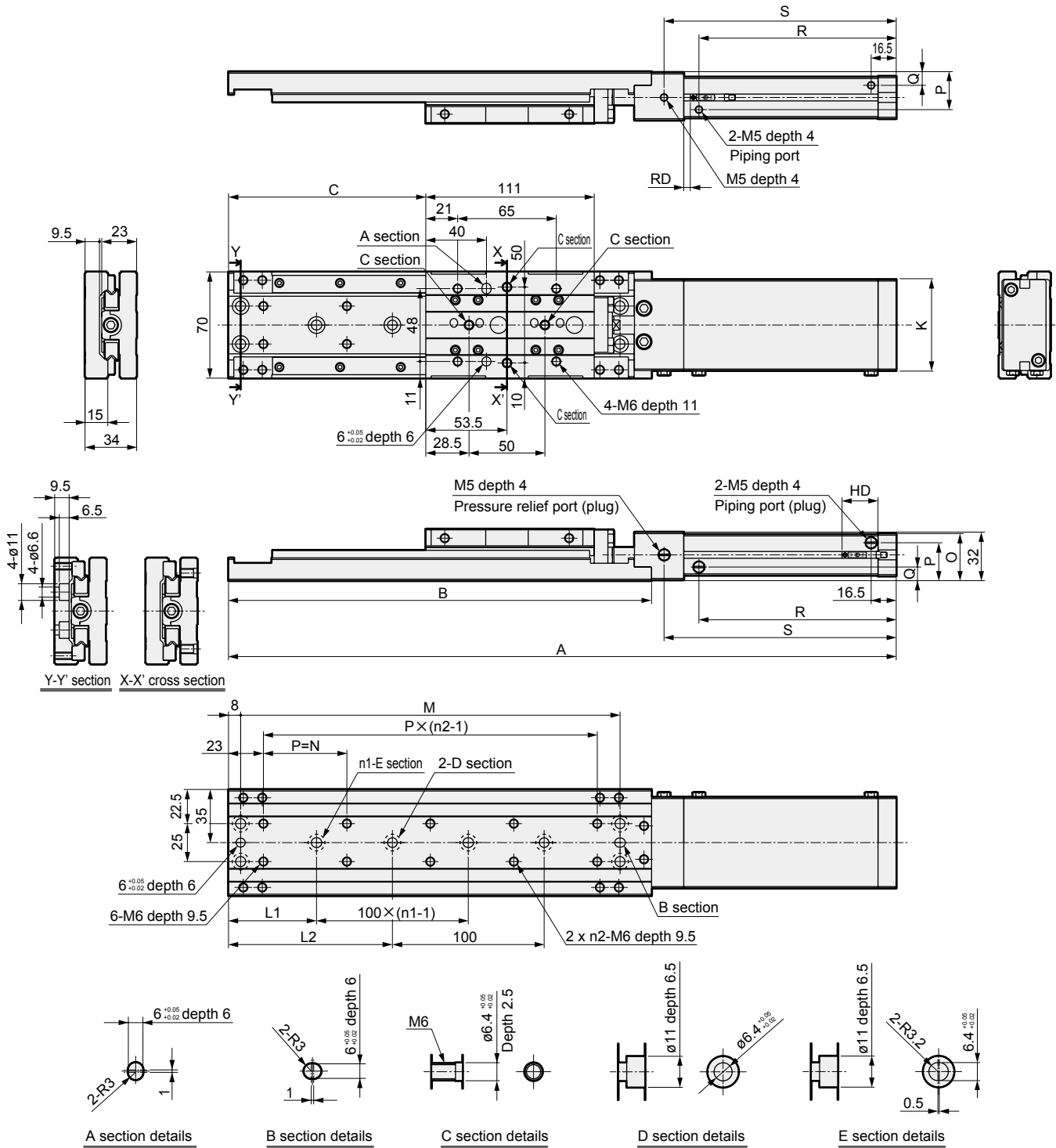
① Variation	
P72	Clean-room specifications (exhaust port)
P73	Clean-room specifications (vacuum treatment)

- LCM
- LCR
- LCG
- LCW
- LCX**
- STM
- STG
- STS/STL
- STR2
- UCA2
- ULK*
- JSK/M2
- JSG
- JSC3/JSC4
- USSD
- UFCD
- USC
- UB
- JSB3
- LMB
- LML
- HCM
- HCA
- LBC
- CAC4
- UCAC2
- CAC-N
- UCAC-N
- RCS2
- RCC2
- PCC
- SHC
- MCP
- GLC
- MFC
- BBS
- RRC
- GRC
- RV3*
- NHS
- HRL
- LN
- Hand
- Chuk
- MechHnd/Chuk
- ShkAbs
- FJ
- FK
- SpdContr
- Ending

LCX-*L-P7* Series

Dimensions

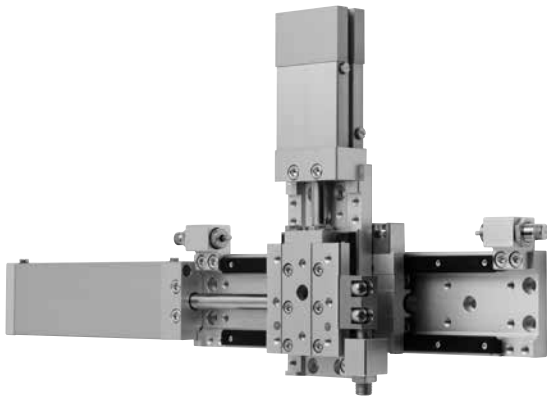
● Double acting/single rod/clean-room specifications/long stroke length LCX-*L-P7*



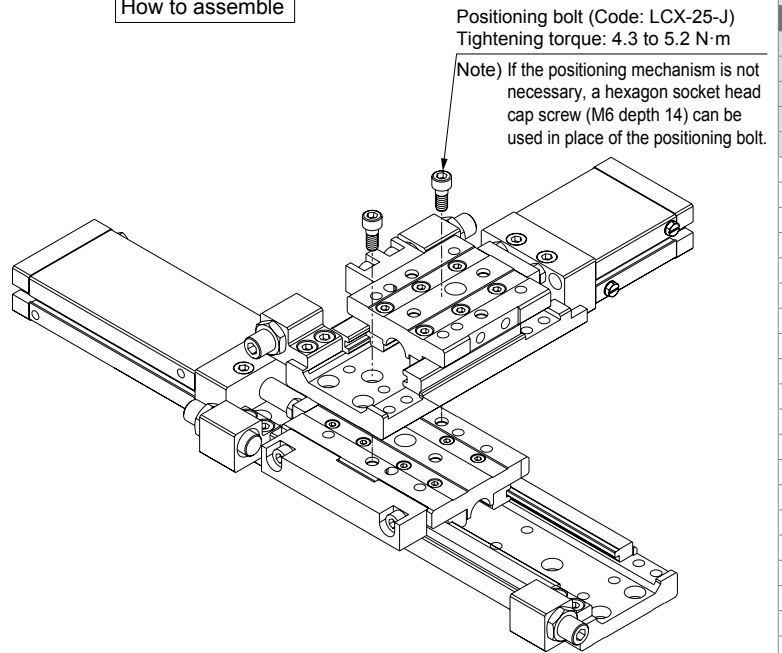
Bore size	Stroke length	A	B	C	K	L1	L2	n1	n2	M	N	O	P	Q	R	S	RD			HD						
																	T0*	T2*	T2W*	T0*	T2*	T2W*				
																	T5*	T3*	T3W*	T5*	T3*	T3W*				
ø25	75	390	254	105	50	45.5	95.5	2	5	225	49	29.5	24.5	9.5	105	128	5	6.5	23.5	21.5						
	100	440	279	130		58	108	2	5	250	55												130	153		
	125	490	304	155		45.5	95.5	3	6	275	49														155	178
	150	540	329	180		58	108	3	6	300	54															
ø32	75	390	254	105	60	45.5	95.5	2	5	225	49	31	25	9	105	128	5	6.5	23.5	21.5						
	100	440	279	130		58	108	2	5	250	55												130	153		
	125	490	304	155		45.5	95.5	3	6	275	49														155	178
	150	540	329	180		58	108	3	6	300	54															

Unit example

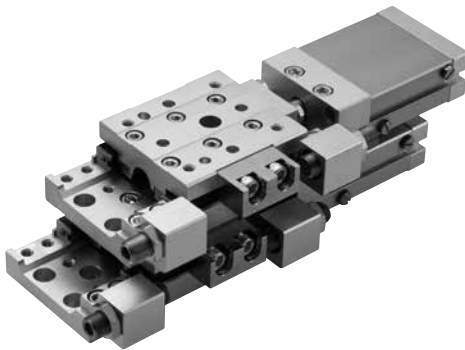
● Crossed unit



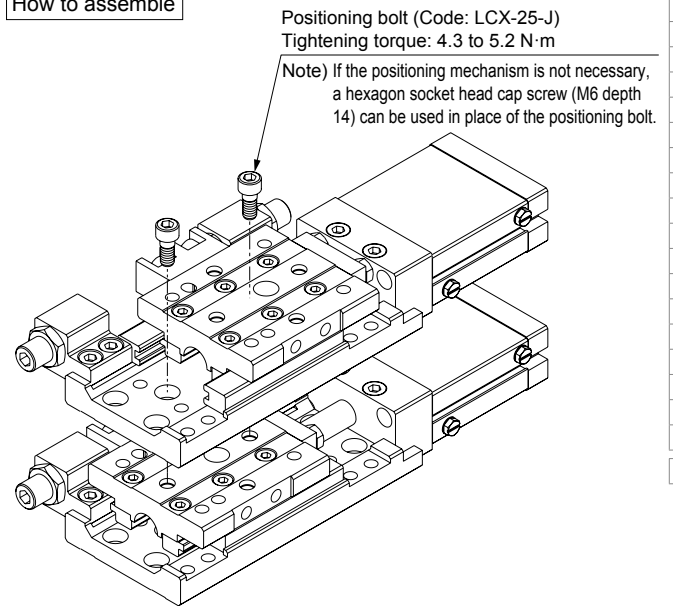
How to assemble



● 2-stage unit



How to assemble



LCM
LCR
LCG
LCW
LCX
STM
STG
STS/STL
STR2
UCA2
ULK*
JSK/M2
JSG
JSC3/JSC4
USSD
UFCD
USC
UB
JSB3
LMB
LML
HCM
HCA
LBC
CAC4
UCAC2
CAC-N
UCAC-N
RCS2
RCC2
PCC
SHC
MCP
GLC
MFC
BBS
RRC
GRC
RV3*
NHS
HRL
LN
Hand
Chuk
MechHnd/Chuk
ShkAbs
FJ
FK
SpdContr
Ending

[Fastening with positioning bolt]

