



Pilot operated 2-port solenoid valve for compressed air

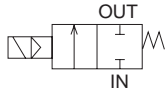
EXA Series

- NC
- Port size: Push-in fitting $\varnothing 6$, $\varnothing 8$, $\varnothing 10$, $\varnothing 12$
- Diaphragm drive



JIS symbol

- NC (open when energized)



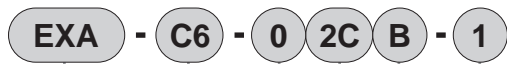
Specifications

Descriptions	EXA-C6	EXA-C8	EXA-C10	EXA-C12
Working fluid	Compressed air			
Working pressure differential MPa	0.01 to 0.7			
Max. working pressure MPa	0.7			
Proof pressure (water pressure) MPa	1.05			
Fluid temperature °C	0 to 55 (no freezing)			
Ambient temperature °C	-5 to 55			
Atmosphere	Place free of corrosive gas/explosive gas and not exposed to water			
Valve structure	Pilot operated diaphragm drive			
Internal leakage cm ³ /min	2 or less			
External leakage cm ³ /min	2 or less			
Mounting orientation	Unrestricted			
Port size	Push-in fitting $\varnothing 6$	Push-in fitting $\varnothing 8$	Push-in fitting $\varnothing 10$	Push-in fitting $\varnothing 12$
C[dm ³ /(s·bar)]	1.6	3.0	3.3	3.6
b	0.45	0.33	0.26	0.20
Weight *1 g	56	57	68	69
Electrical specifications				
Rated voltage	100 VAC (50/60 Hz), 24 VDC, 12 VDC *2			
Apparent power VA	1.2			
Power consumption W DC	0.6			
Thermal class	Class 130 (B)			
Degree of protection (IEC standard: 529)	Lead wire: IPX0, with DIN terminal box: IPX5			

*1: Weight with the DIN terminal box is +20 g.

*2: The voltage fluctuation range is $\pm 10\%$.

How to order



Model No.

A Connected tube outer diameter

B Sealant

C Coil option

D Other options

E Voltage

[Example of model No.]

EXA-C6-02CB-1

Model: Compact air blow valve EXA

- A** Connected tube outer diameter : $\phi 6$
- B** Sealant : H-NBR, internal exhaust specification
- C** Coil option : Lead wire
- D** Other options : Mounting plate
- E** Voltage : 100 VAC

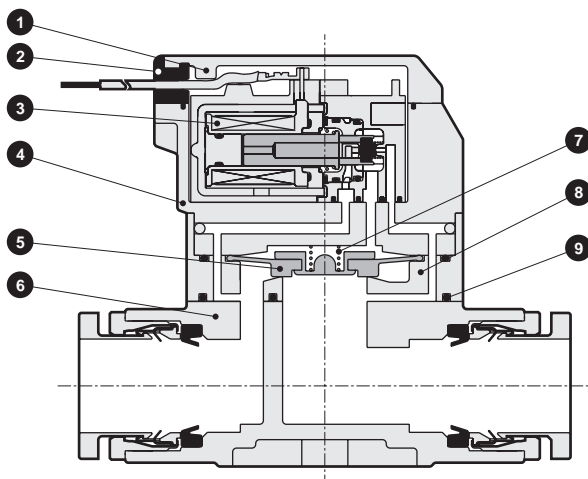
Code	Content	
A Connected tube outer diameter		
C6	$\phi 6$	
C8	$\phi 8$	
C10	$\phi 10$	
C12	$\phi 12$	
B Sealant		
0	H-NBR, internal exhaust specifications	
H	H-NBR, oil-prohibited specs., internal exhaust specs.	
C Coil option *1		
2C	Standard	Lead wire (without surge suppressor)
2G	Option	DIN terminal box (Pg7), without lamp
2GS		DIN terminal box (Pg7), no lamp, with surge suppressor
2H		DIN terminal box (Pg7), with lamp (inside terminal box)
2HS		DIN terminal box (Pg7), with lamp (inside terminal box) with surge suppressor
2KS		DIN terminal box, with M12 connector cable, with lamp (inside terminal box) with surge suppressor
D Other options		
Blank	None	
B	With mounting plate	
E Voltage *1		
1	100 VAC	
3	24 VDC	
4	12 VDC	

*1: Refer to the table below for the available coil option and voltage combinations.

Coil option	Voltage		
	1	3	4
2C	●	●	●
2G	●		
2GS		●	●
2H	●		
2HS		●	●
2KS		●	

Select from the combinations indicated with ● above.

Internal structure and parts list



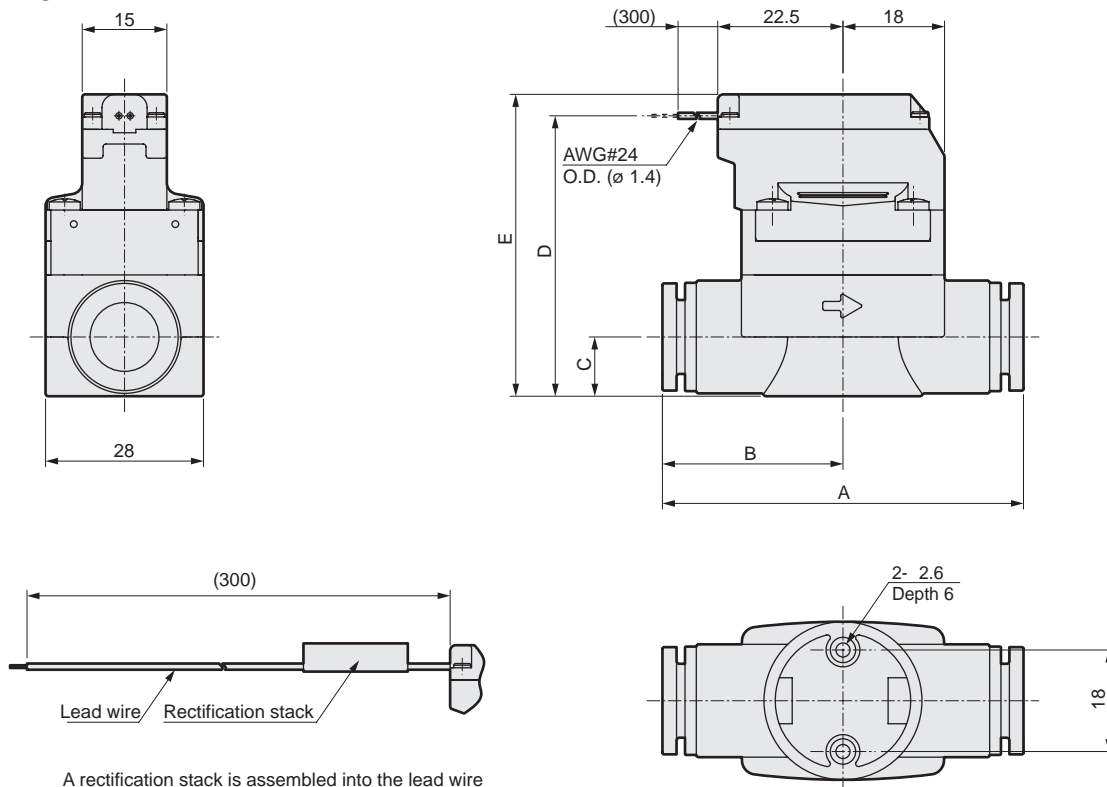
Cannot be disassembled

No.	Part name	Material	
1	Cover (*1)	PBT	Polybutylene terephthalate
2	Bush	NBR	Nitrile rubber
3	Coil assembly	-	-
4	Stuffing	PPS	Polyphenylene sulfide
5	Diaphragm assembly	H-NBR/PPS	Hydrogenated nitrile rubber/ polyphenylene sulfide
6	Main body	PBT	Polybutylene terephthalate
7	Spring	SUS	Stainless steel
8	Valve body	PBT	Polybutylene terephthalate
9	Gasket	H-NBR	Hydrogenated nitrile rubber

*1: PA66 and polyamide are used when the DIN terminal box is attached.

Dimensions

- Lead wire
EXA-*-*2C



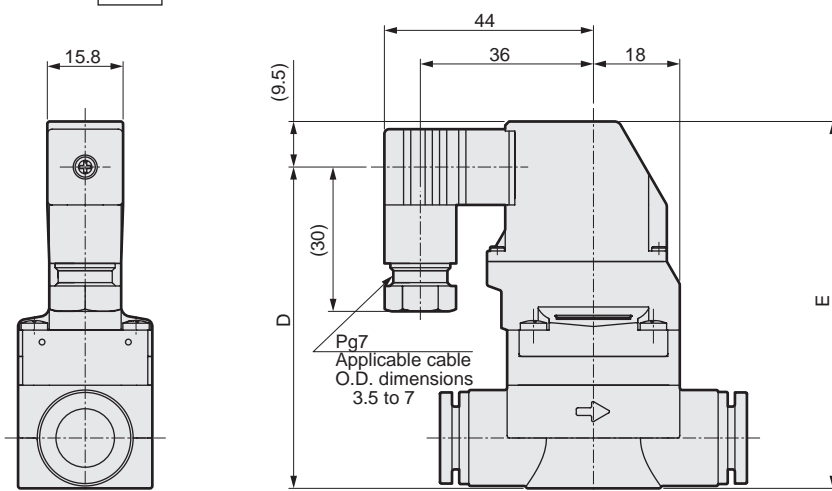
Model No.	A	B	C	D	E
EXA-C6	52	28	8	45	48.5
EXA-C8	53	28.5	8	45	48.5
EXA-C10	62	31	11.5	51	54.5
EXA-C12	64	32	11.5	51	54.5

* Figure shows dimensions for port size $\phi 10$.

Optional dimensions

- With DIN terminal box (Pg7)

EXA-*-*
2G
2GS
2H
2HS

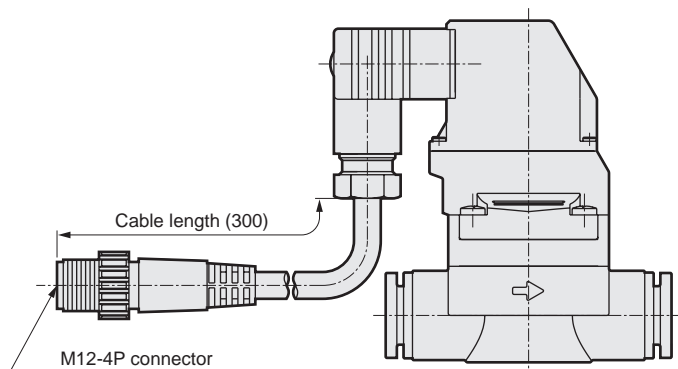


Model No.	D	E
EXA-C6	62	71.5
EXA-C8	62	71.5
EXA-C10	68	77.5
EXA-C12	68	77.5

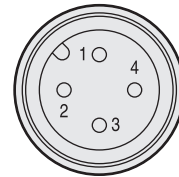
* Figure shows dimensions for port size $\phi 10$.

Optional dimensions

- With DIN terminal box, with M12 connector cable, with lamp EXA-*-*2KS



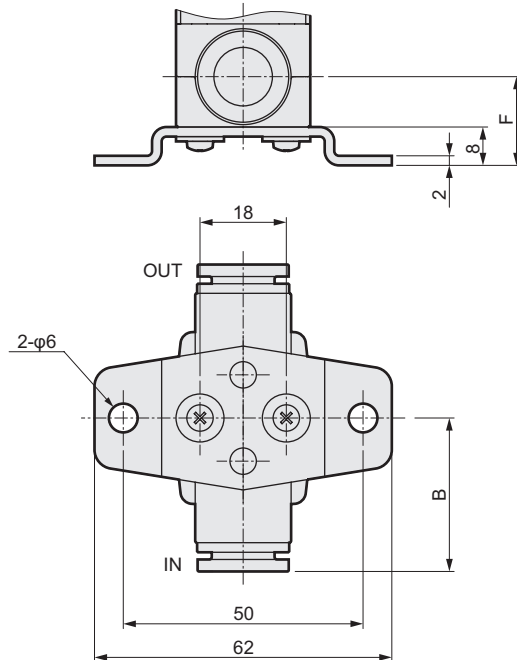
Connector pin array



PIN No.	Applications
1PIN	(Not used)
2PIN	(Not used)
3PIN	Power supply -
4PIN	Power supply +

- With mounting plate EXA-*-*B

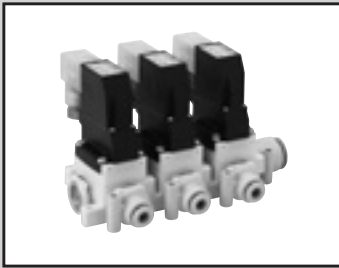
Material: Steel
Zinc plated



* Contact CKD for details about discrete mounting plate orders.

Model No.	B	F
EXA-C6	28	16
EXA-C8	28.5	16
EXA-C10	31	19.5
EXA-C12	32	19.5

* Figure shows dimensions for port size $\phi 10$.



Pilot operated 2-port solenoid valve for compressed air, Manifold

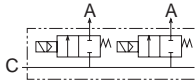
GEXA Series

- NC
- Port size: Push-in fitting $\varnothing 6$, $\varnothing 8$, $\varnothing 10$, $\varnothing 12$
- Diaphragm drive



JIS symbol

- NC (open when energized)
- Common supply, port C pressurization



Specifications

Descriptions	GEXA-□C6	GEXA-□C8	GEXA-□C10	GEXA-□C12
Working fluid	Compressed air			
Working pressure differential MPa	0.01 to 0.7			
Max. working pressure MPa	0.7			
Proof pressure (water pressure) MPa	1.05			
Fluid temperature °C	0 to 55 (no freezing)			
Ambient temperature °C	-5 to 55			
Atmosphere	Place free of corrosive gas/explosive gas and not exposed to water			
Valve structure	Pilot operated diaphragm drive			
Internal leakage cm ³ /min	2 or less (per station)			
External leakage cm ³ /min	3 or less (per station)			
Mounting orientation	Unrestricted			
Port A size (Port C: Push-in fitting $\varnothing 10$, $\varnothing 12$)	Push-in fitting $\varnothing 6$	Push-in fitting $\varnothing 8$	Push-in fitting $\varnothing 10$	Push-in fitting $\varnothing 12$
C value	1.6	3.0	3.3	3.6
b	0.36	0.24	0.18	0.16
Electrical specifications				
Rated voltage	100 VAC (50/60 Hz), 24 VDC, 12 VDC *1			
Apparent power VA	1.2			
Power consumption W DC	0.6			
Thermal class	Class 130 (B)			
Degree of protection (IEC standard: 529)	Lead wire: IPX0, with DIN terminal box: IPX5			

*1: The voltage fluctuation range is $\pm 10\%$.

For internal structure, refer to page 2.

How to order

GEXA - C10 - C8 - 3 - 0 - 2HS - 3

Model No.

A Port C connected tube outer diameter

B Port A connected tube outer diameter

C Manifold station No.

D Sealant/pilot operated combination

E Coil option

F Voltage

[Example of model No.]
GEXA-C10C8-3-02HS-3

- A** Port C connected tube outer diameter : $\phi 10$
- B** Port A connected tube outer diameter : $\phi 8$
- C** Manifold station No. : 3 stations
- D** Sealant/pilot operated combination : H-NBR, internal exhaust specification
- E** Coil option : DIN terminal box (Pg7), with lamp / with surge suppressor (inside terminal box)
- F** Voltage : 24 VDC

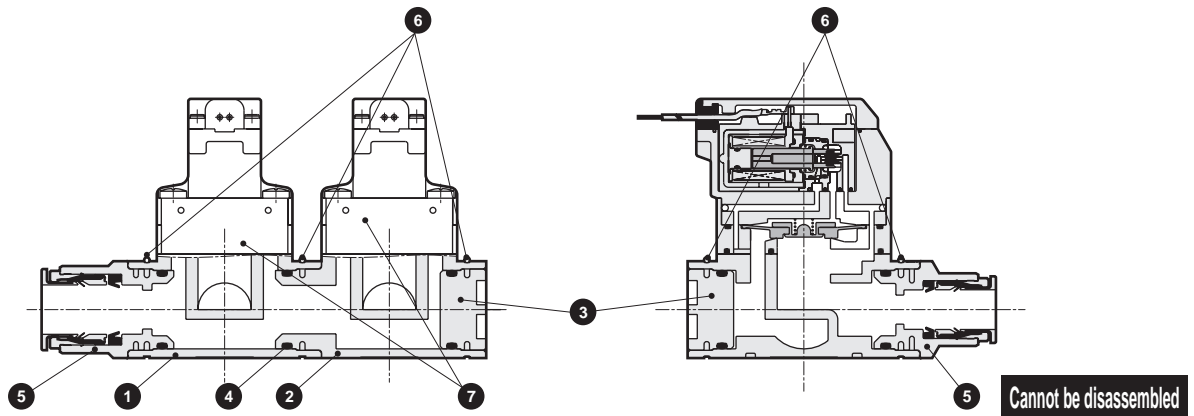
Code	Content	
A Port C connected tube outer diameter		
C10	$\phi 10$	
C12	$\phi 12$	
B Port A connected tube outer diameter		
C6	$\phi 6$	
C8	$\phi 8$	
C10	$\phi 10$	
C12	$\phi 12$	
C Manifold station No.		
2	2 stations	
to	to	
5	5 stations	
D Sealant/pilot operated combination		
0	H-NBR, internal exhaust specifications	
E Coil option *1		
2C	Standard	Lead wire (without surge suppressor)
2G	Option	DIN terminal box (Pg7), without lamp
2GS		DIN terminal box (Pg7), no lamp with surge suppressor
2H		DIN terminal box (Pg7) with lamp (inside terminal box)
2HS		DIN terminal box (Pg7) with lamp/with surge suppressor (inside terminal box)
2KS		DIN terminal box with M12 connector cable, with lamp/with surge suppressor (inside terminal box)
F Voltage *1		
1	100 VAC	
3	24 VDC	
4	12 VDC	

*1: Refer to the table below for the available coil option and voltage combinations.

Coil option	Voltage		
	1	3	4
2C	●	●	●
2G	●		
2GS		●	●
2H	●		
2HS		●	●
2KS		●	

Select from the combinations indicated with ● above.

Internal structure and parts list

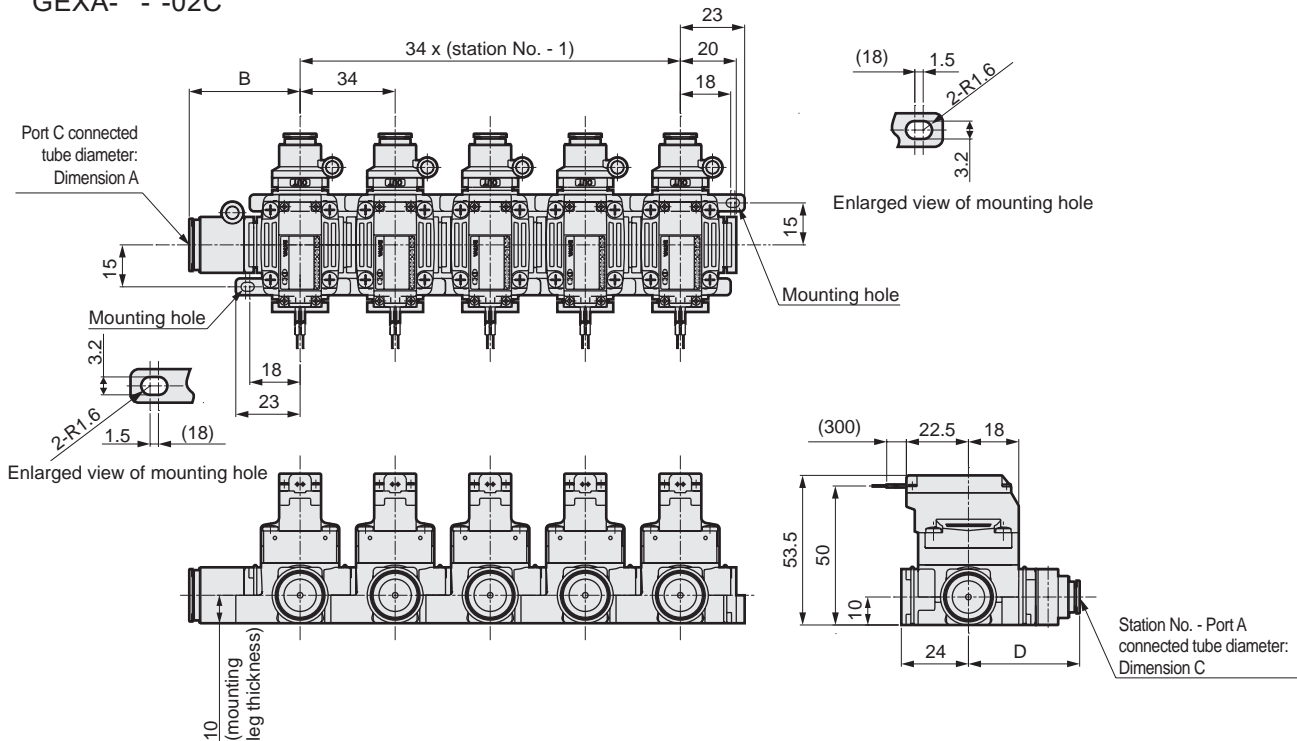


* This figure shows 2-stations.

No.	Part name	Material	
1	Block body A	PBT	Polybutylene terephthalate
2	Block body B	PBT	Polybutylene terephthalate
3	Plug assembly	A, NBR	Aluminum, nitrile rubber
4	O-ring	NBR	Nitrile rubber
5	Fitting assembly	PBT, C, NBR	Polybutylene terephthalate/copper alloy/nitrile rubber
6	Stopper ring	SUS	Stainless steel
7	EXA Actuator assembly	—	(Refer to the internal structure diagram on page 2)

Dimensions

● Lead wire GEXA-**-*-02C



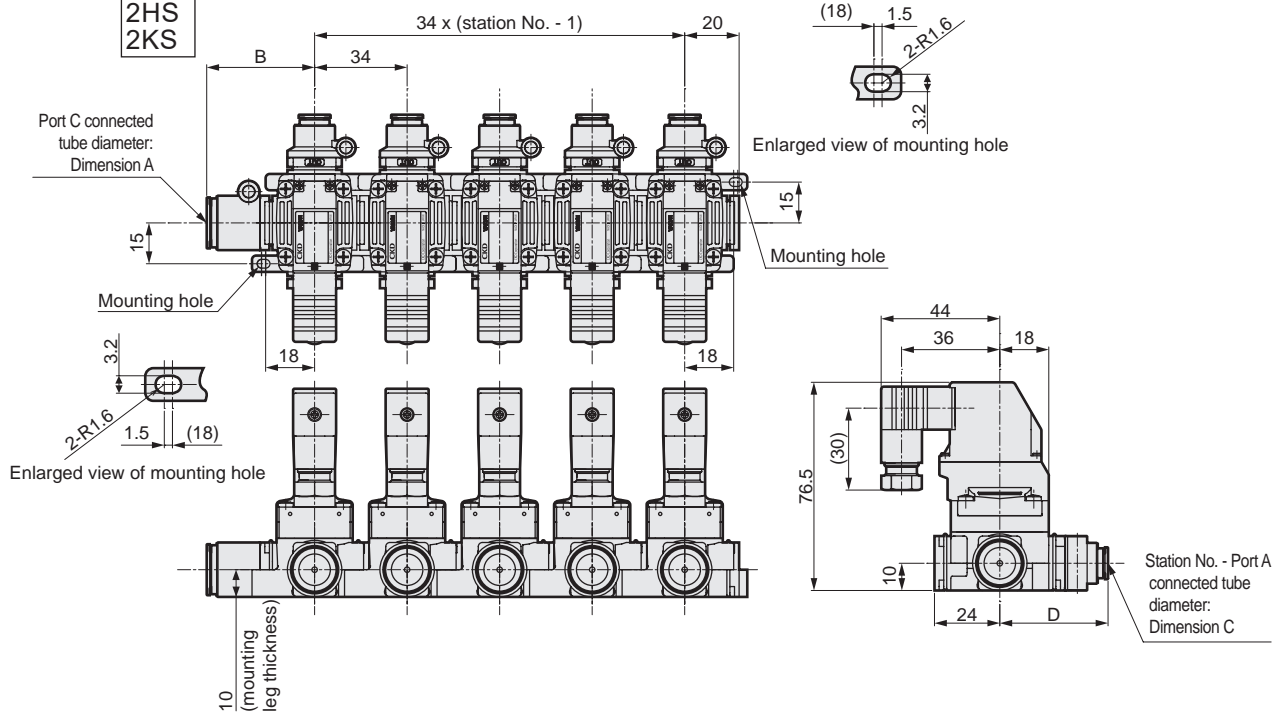
Model No.	A	B	C	D
GEXA-C10C6	ø10	38	ø6	40
GEXA-C10C8			ø8	
GEXA-C10C10			ø10	
GEXA-C10C12			ø12	
GEXA-C12C6	ø12	40	ø6	40
GEXA-C12C8			ø8	
GEXA-C12C10			ø10	
GEXA-C12C12			ø12	

Dimensions

- DIN terminal box

GEXA-**-*-0

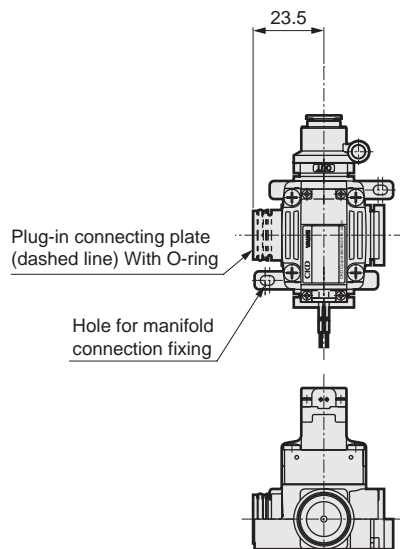
2G
2GS
2H
2HS
2KS



Model No.	A	B	C	D
GEXA-C10C6	ø10	38	ø6	40
GEXA-C10C8			ø8	
GEXA-C10C10			ø10	
GEXA-C10C12			ø12	
GEXA-C12C6	ø12	40	ø6	40
GEXA-C12C8			ø8	
GEXA-C12C10			ø10	
GEXA-C12C12			ø12	

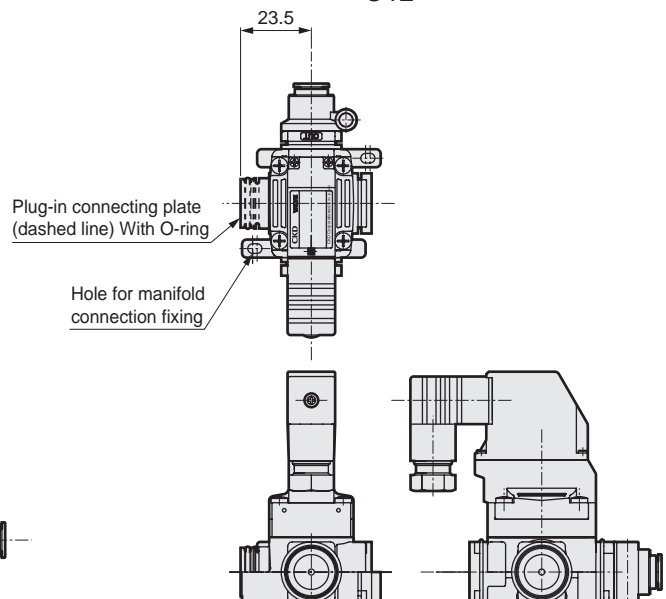
- Single item dimensions for expanding manifold stations (model No.: GEXA-CX C6 C8 -0E-F-KIT)

- Lead wire



- DIN terminal box

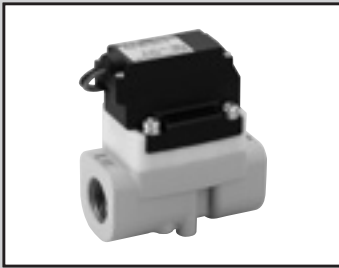
C6
C8
C10
C12



*1: For parts other than those above and dimensions after connecting, refer to pages 7 and 8 for the manifold dimensions.

*2: The following components are included. Stopper pin: 1 pc., fixing screw for connecting: 2 pcs

*3: If you are considering increasing the number of stations, contact CKD for details.



Pilot operated 2-port solenoid valve for compressed air

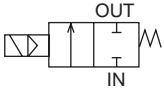
EXA Series Aluminum body

- NC
- Port size: Rc1/4, 3/8



JIS symbol

● NC (open when energized)



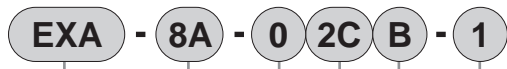
Specifications

Descriptions	EXA-8A	EXA-10A
Working fluid	Compressed air	
Working pressure differential MPa	0.01 to 0.7	
Max. working pressure MPa	0.7	
Proof pressure (water pressure) MPa	1.05	
Fluid temperature °C	0 to 55 (no freezing)	
Ambient temperature °C	-5 to 55	
Atmosphere	Place free of corrosive gas/explosive gas and not exposed to water	
Valve structure	Pilot operated diaphragm drive	
Internal leakage cm ³ /min	2 or less	
External leakage cm ³ /min	2 or less	
Mounting orientation	Unrestricted	
Port size	Rc1/4	Rc3/8
C[dm ³ /(s·bar)]	4.5	4.7
b	0.18	0.17
Weight *1 g	56	57
Electrical specifications		
Rated voltage	100 VAC (50/60 Hz), 24 VDC, 12 VDC *2	
Apparent power VA	1.2	
Power consumption W DC	0.6	
Thermal class	Class 130 (B)	
Degree of protection (IEC standard: 529)	Lead wire: IPX0, with DIN terminal box: IPX5	

*1: Weight with the DIN terminal box is +20 g.

*2: The voltage fluctuation range is ±10%.

How to order



Model No.

A Port size

B Sealant

C Coil option

D Other options

E Voltage

[Example of model No.]

EXA-8A-02CB-1

Model: Compact air blow valve EXA
Aluminum body

- A Port size : Rc1/4
- B Sealant : H-NBR, internal exhaust specification
- C Coil option : Lead wire
- D Other options : Mounting plate
- E Voltage : 100 VAC

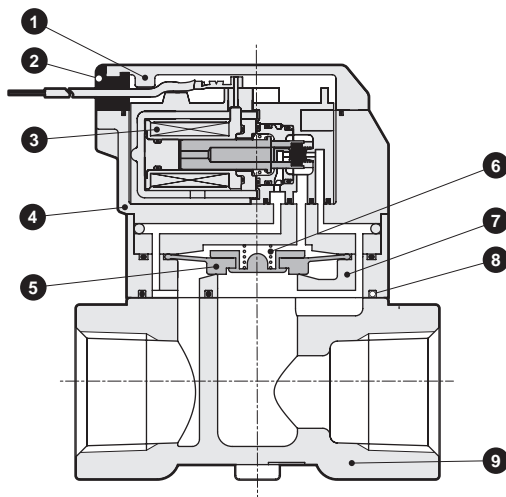
Coil option	Voltage		
	1	3	4
2C	●	●	●
2G	●		
2GS		●	●
2H	●		
2HS		●	●
2KS		●	

Select from the combinations indicated with ● above.

Code	Content	
A Port size		
8A	Rc1/4	
8G	G1/4	
8N	1/4NPT	
10A	Rc3/8	
10G	G3/8	
10N	3/8NPT	
B Sealant		
0	H-NBR, internal exhaust specifications	
C Coil option *1		
2C	Standard	Lead wire (no surge suppressor)
2G		DIN terminal box (Pg7), without lamp
2GS		DIN terminal box (Pg7), no lamp with surge suppressor
2H		DIN terminal box (Pg7) with lamp (inside terminal box)
2HS		DIN terminal box (Pg7) with lamp (inside terminal box) with surge suppressor
2KS		DIN terminal box, with M12 connector cable, with lamp (inside terminal box)/with surge suppressor
D Other options		
Blank	None	
B	With mounting plate	
E Voltage *1		
1	100 VAC	
3	24 VDC	
4	12 VDC	

*1: Refer to the table on the left for the available coil option and voltage combinations.

Internal structure and parts list



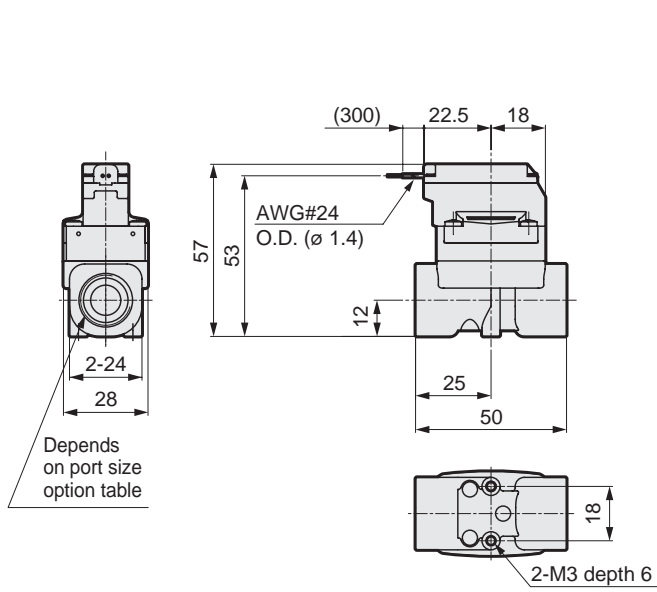
Cannot be disassembled

No.	Part name	Material
1	Cover (*1)	Polybutylene terephthalate
2	Bush	Nitrile rubber
3	Coil assembly	-
4	Stuffing	Polyphenylene sulfide
5	Diaphragm assembly	Hydrogenated nitrile rubber/polyphenylene sulfide
6	Spring	Stainless steel
7	Valve body	Polybutylene terephthalate
8	Gasket	Hydrogenated nitrile rubber
9	Body	Aluminum

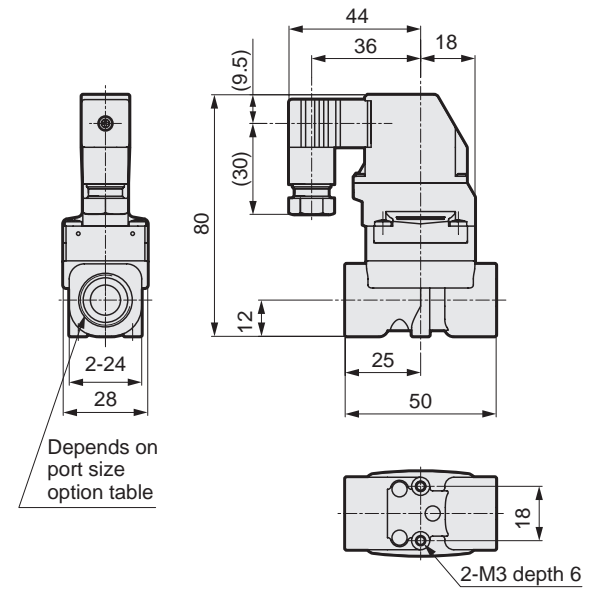
*1: PA66 and polyamide are used when the DIN terminal box is attached.

Dimensions

● Lead wire



● DIN terminal box



● With mounting plate

