



Air filter Standard White Series

F1000/F2000/F3000 F4000/F6000/F8000-W Series

New Series of 5 µm element for dust removal, and 0.3 µm element for tar removal. (excluding F1000 Series) ● Port size: 1/8 to 1

JIS symbol



Specifications

Item	F1000-W	F2000-W	F3000-W	F4000-W	F6000-W	F8000-W
Appearance						
Working fluid	Compressed air					
Max. working pressure MPa	1.0 (≈150 psi, 10 bar) *1, 2, 3					
Proof pressure MPa	1.5 (≈220 psi, 15 bar) *1					
Ambient / fluid temperatures °C	5 (41°F) to 60 (140°F)					
Filtration rating µm	5			5 or 0.3		
Drain capacity cm ³	12	25	45	80	80	80 (*4)
Port size Rc,NPT,G	1/8,1/4 (3/8 uses an adaptor)	1/4,3/8 (1/2 uses an adaptor)		1/4,3/8,1/2 (3/4 uses an adaptor)	3/4,1 (1 1/4 uses an adaptor)	3/4,1 (1 1/4 uses an adaptor)
Weight kg	0.087	0.24	0.25	0.45	0.9	1.16
Standard accessories	Bowl guard					

*1: When using F1000-W Series "F1" with auto-drain, the min. working pressure is 0.2 MPa, max. working pressure is 0.7 MPa and proof pressure is 1.05 MPa. Refer to the max. working flow rate table (table below) for F1000-W-F1 auto-drain for the max. working flow rate. Set the working flow rate to less than or equal to the max. working flow rate. When using F-2000W Series "F1" with auto-drain, refer to the max. working flow rate (table below). The working flow rate must be less than the max. working flow rate.

*2: In the case of "F" with auto-drain, the min. working pressure of auto-drain is 0.1 MPa. Air is purged with initial drain until pressure reaches 0.1 MPa.

*3: In the case of "F1" with auto-drain, the min. working pressure of auto-drain is 0.15 MPa.

*4: Up to 170 cm³ is stored with the manual drain cock only.

● F1000-W-F1 with auto-drain Max. working flow rate (m³/min(ANR))

Primary pressure MPa	0.2	0.3	0.4	0.5	0.6	0.7
Port size						
6	0.185	0.250	0.310	0.375	0.435	0.500
8	0.225	0.300	0.375	0.450	0.525	0.600

● F2000-W-F1 with auto-drain Max. working flow rate (m³/min(ANR))

Primary pressure MPa	0.15	0.2	0.3	0.4	0.5	0.6	0.7	0.8	0.9	1
Flow rate	0.50	0.60	0.80	1.00	1.20	1.40	1.65	1.85	2.05	2.25

Option weight

* Add to the weight of the standard accessories.

Unit: kg

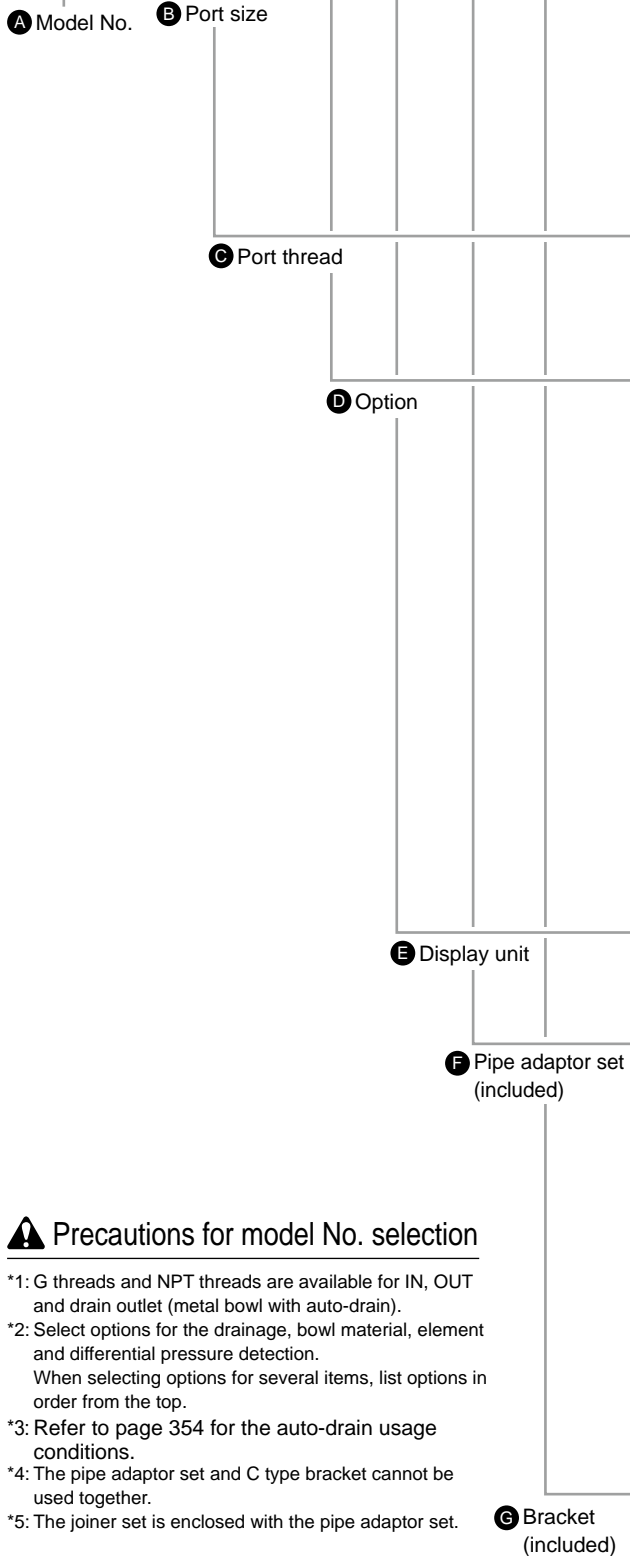
Code	Drain discharge				Bowl material		Pipe adaptor set						Bracket	
	F	F1	FF	FF1	M	M1	A6*W	A8*W	A10*W	A15*W	A20*W	A25*W		A32*W
F1000		0.007					0.09	0.09	0.09					0.1
F2000		0.02				0.1		0.16	0.16	0.16				0.15
F3000	0.02	0.02			0.1	0.1		0.16	0.16	0.16				0.17
F4000	0.02	0.02			0.1	0.1		0.16	0.16	0.16	0.16			0.21
F6000	0.02	0.02			0.1	0.1					0.53	0.53	0.53	0.34
F8000	0.02	0.02	0.02	0.02	0.1	0.1					0.53	0.53	0.53	0.36

F.R.L.
F.R.
F (Filtr)
R (Reg)
L (Lub)
Drain Separ
Mech Press SW
Res press exh valve
SlowStart
Anti-bac/Bac-remov
Film Resist FR
Oil-ProhR
Med Press FR
No Cu/PTFE FRL
Outdrs FRL
Adapter Joiner Press Gauge
CompFRL
LgFRL
PrecsR
VacF/R
Clean FR
ElecPneUR
AirBoost
Speed Ctrl
Silncr
CheckV/other
Fit/Tube
Nozzle
Air Unit
PrecsCompn
Electro Press SW
ContactSW
AirSens
PresSW Cool
Air Flo Sens/Ctrl
WaterRiSens
TotAirSys (Total Air)
TotAirSys (Gamma)
Gas generator
RefrDry
DesicDry
HiPolymDry
MainFiltr
Dischrg etc
Ending

Air Filter Series

How to order

How to order



* Refer to page 30 for the explanation of the option.

A Model No.

Code		Description	F1000	F2000	F3000	F4000	F6000	F8000
B Port size								
6	1/8		●					
8	1/4		●	●	●	●		
10	3/8			●	●	●		
15	1/2					●		
20	3/4						●	●
25	1						●	●
C Port thread								
Blank	Rc thread		●	●	●	●	●	●
N	NPT thread		●	●	●	●	●	●
G	G thread		●	●	●	●	●	●
D Option								
Drain discharge	Blank	With manual drain cock	●	●	●	●	●	●
	F	Auto-drain, man OVRD (NO: no press→Exhaust)			●	●	●	●
	F1	Auto-drain, man OVRD (NC: no press→no exhaust)	●	●	●	●	●	●
	FF	Large auto-drain, man OVRD (NO: no press→Exhaust)						●
	FF1	Large auto-drain, man OVRD (NC: no press→no exhaust)						●
Bowl material	Blank	Polycarbonate bowl	●	●	●	●	●	●
	Z	Nylon bowl	●	●	●	●	●	●
	M	Metal bowl			●	●	●	●
	M1	Metal bowl with manual drain cock		●	●	●	●	●
Element	Blank	5 μm	●	●	●	●	●	●
	Y	0.3 μm (submicron)			●	●	●	●
Differential pressure detection	Blank	Without differential pressure detection port	●	●	●	●	●	●
	Q	With differential pressure detection port (Rc 1/4)					●	●
Flow direction	Blank	Standard flow (left → right)	●	●	●	●	●	●
	X1	Reverse flow (right → left)	●	●	●	●	●	●
E Display unit								
Blank	MPa display (Rc thread), psi display (NPT thread), bar display (G thread)		●	●	●	●	●	●
J1	MPa display (NPT, G thread)		●	●	●	●	●	●
F Pipe adaptor set (included)								
Blank	Not included		●	●	●	●	●	●
A6*W	1/8 pipe adaptor set		●					
A8*W	1/4 pipe adaptor set		●	●	●	●		
A10*W	3/8 pipe adaptor set		●	●	●	●		
A15*W	1/2 pipe adaptor set			●	●	●		
A20*W	3/4 pipe adaptor set					●	●	●
A25*W	1 pipe adaptor set						●	●
A32*W	1 1/4 pipe adaptor set						●	●
* Adaptor thread								
Blank	Rc thread		●	●	●	●	●	●
N	NPT thread		●	●	●	●	●	●
G	G thread		●	●	●	●	●	●
G Bracket (included)								
Blank	Not included		●	●	●	●	●	●
BW	C type bracket		●	●	●	●	●	●

F.R.L.
F.R.
F (Filtr)
R (Reg)
L (Lub)
Drain Separ
Mech Press SW
Res press exh valve
SlowStart
Anti-bac/Bac-remove Filtr
Film Resist FR
Oil-ProhR
Med Press FR
No Cu/ PTFE FRL
Outdrs FRL
Adapter Joiner
Press Gauge
CompFRL
LgFRL
PrescR
VacF/R
Clean FR
ElecPneuR
AirBoost
Speed Ctrl
Silncr
CheckV/ other
Fit/Tube
Nozzle
Air Unit
PrescCompn
Electro Press SW
ContactSW
AirSens
PresSW Cool
Air Flo Sens/Ctrl
WaterRSens
TotAirSys (Total Air)
TotAirSys (Gamma)
Gas generator
RefrDry
DesicDry
HiPolymDry
MainFiltr
Dischrg etc
Ending

⚠ Precautions for model No. selection

- *1: G threads and NPT threads are available for IN, OUT and drain outlet (metal bowl with auto-drain).
- *2: Select options for the drainage, bowl material, element and differential pressure detection.
When selecting options for several items, list options in order from the top.
- *3: Refer to page 354 for the auto-drain usage conditions.
- *4: The pipe adaptor set and C type bracket cannot be used together.
- *5: The joiner set is enclosed with the pipe adaptor set.

Clean-room specifications (Catalog No. CB-033SA)

- Anti-dust generation structure for use in cleanrooms

F*000 - - P7*

Specifications for rechargeable battery (Catalog No. CC-1226A)

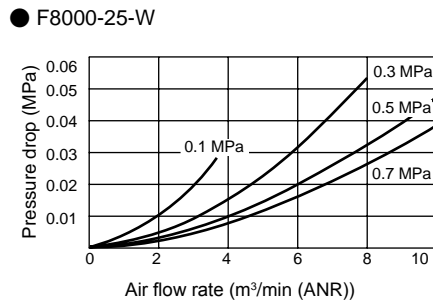
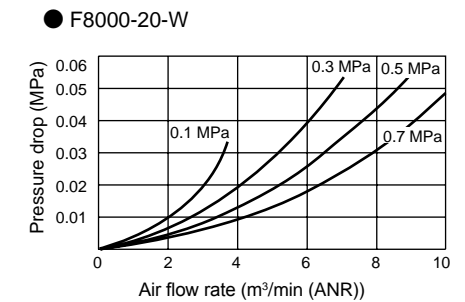
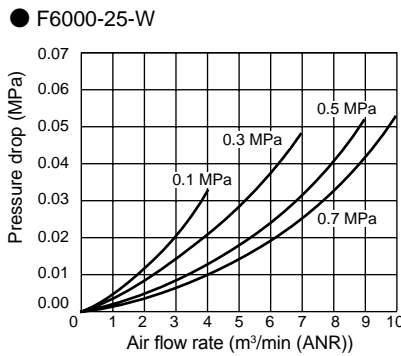
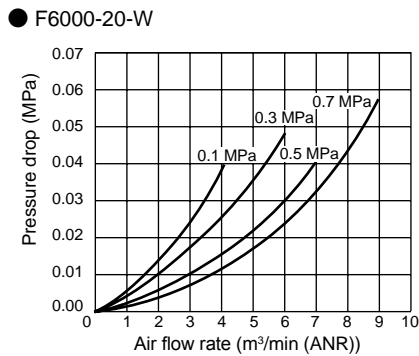
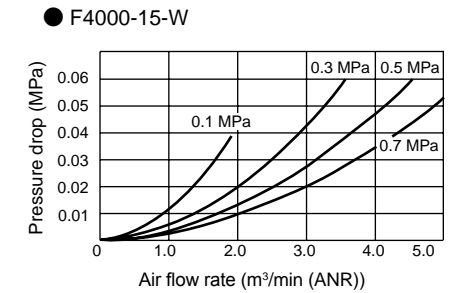
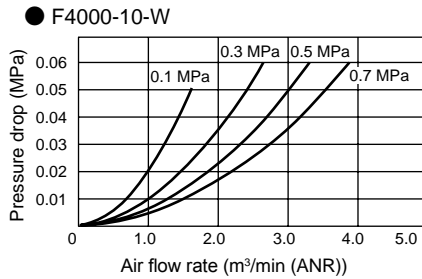
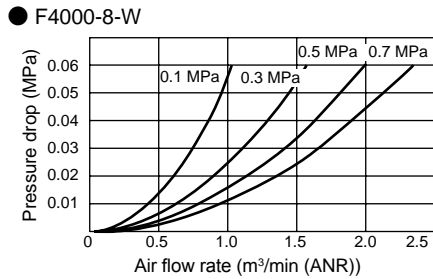
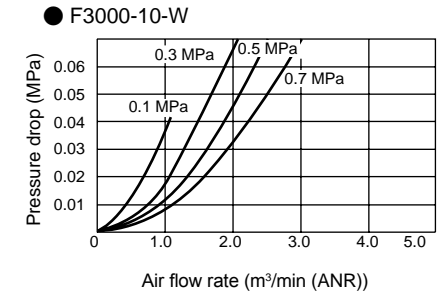
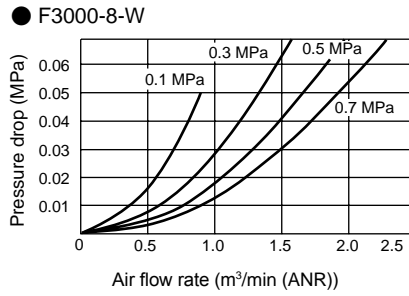
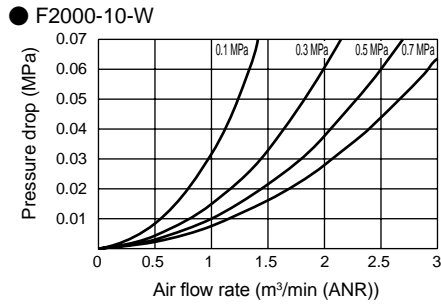
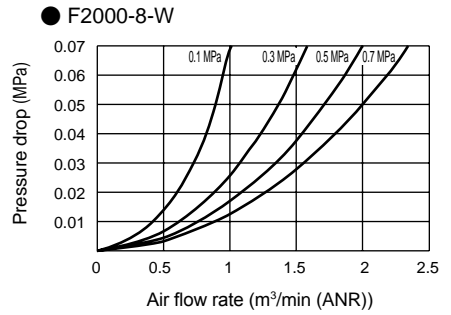
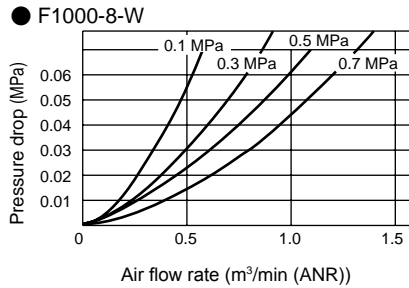
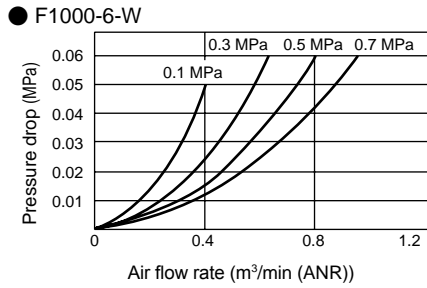
- Structure compatible with rechargeable battery manufacturing process

F*000 - - P4*

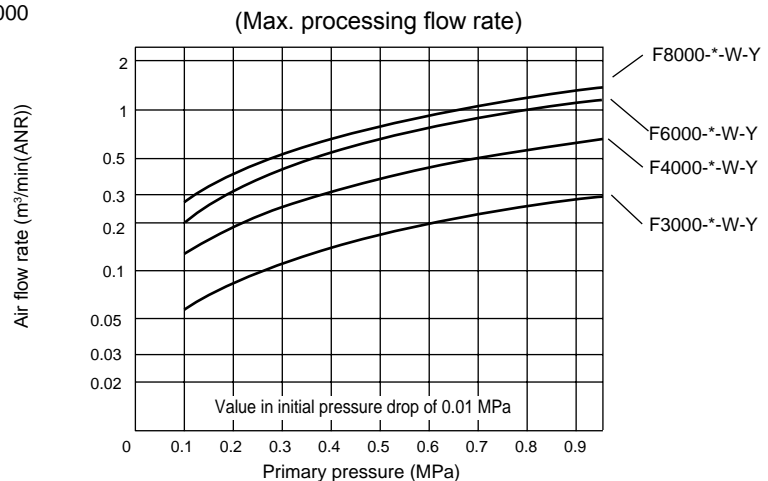
Air Filter Series

F.R.L. Flow characteristics

- F.R.
- F (Filter)
- R (Reg)
- L (Lub)
- Drain Separ
- Mech Press SW
- Res press exh valve
- SlowStart
- Ani-bac/Bac-remove Filtr
- Film Resist FR
- Oil-Prohr
- Med Press FR
- No Cu/PTFE FRL
- Outdrs FRL
- Adapter Joiner Press Gauge
- CompFRL
- LgFRL
- PrecsR
- VacF/R
- Clean FR
- ElecPneur
- AirBoost
- Speed Ctrl
- Silncr
- CheckV/other
- Fit/Tube
- Nozzle
- Air Unit
- PrecsCompn
- Electro Press SW
- ContactSW
- AirSens
- PresSW Cool
- Air Flo Sens/Ctrl
- WaterRiSens
- TotAirSys (Total Air)
- TotAirSys (Gamma)
- Gas generator
- RefrDry
- DesicDry
- HiPolymDry
- MainFiltr
- Dischrg etc
- Ending

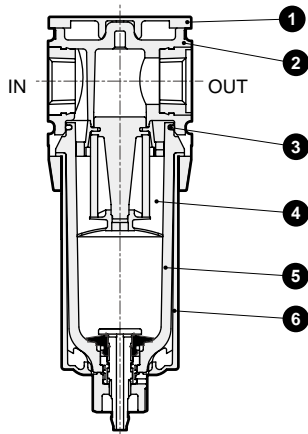


F3000
 F4000
 F6000
 F8000
 *-W-Y (0.3 μm element)

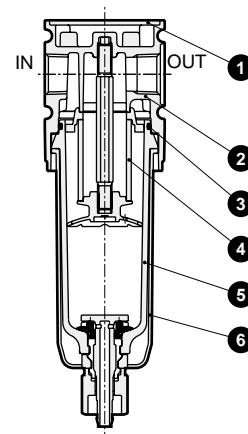


Internal structure and parts list

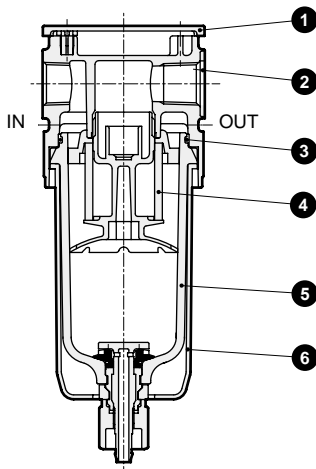
● F1000-W



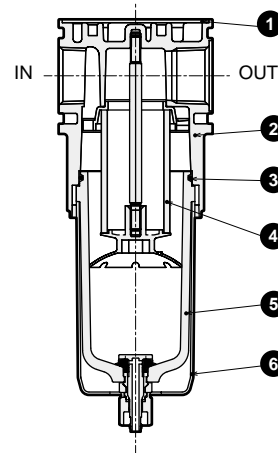
● F2000-W



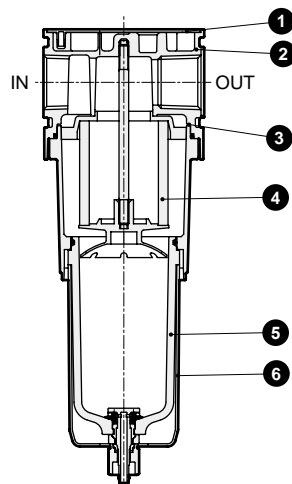
● F3000-W/F4000-W



● F6000-W



● F8000-W



No.	Part name	Material					
		F1000-W	F2000-W	F3000-W	F4000-W	F6000-W	F8000-W
1	Plate cover	ABS resin					
2	Body	Polyamide resin, steel	Aluminum alloy die-casting				
3	O-ring *1	Special nitrile rubber					
4	Element (5 μm) *2	Polyacetal resin polypropylene		Polypropylene			
	Element (0.3 μm)			-			
5	Bowl assembly	Polycarbonate resin, polyacetal resin, urethane resin					
6	Bowl guard	Polyamide resin	Polyamide resin, steel				

*1: The O-ring of the F1000-W has a special shape.

*2: The F1000-W has an assembled element.

*3: Refer to page 114 for repair parts kits.

F.R.L.
F.R.
F (Filtr)
R (Reg)
L (Lub)
Drain Separ
Mech Press SW
Res press exh valve
SlowStart
Anti-bac/Bac-remove Filt
Film Resist FR
Oil-ProhR
Med Press FR
No Cu/ PTFE FRL
Outdrs FRL
Adapter Joiner
Press Gauge
CompFRL
LgFRL
PrecsR
VacF/R
Clean FR
ElecPneuR
AirBoost
Speed Ctrl
Silncr
CheckV/ other
Fit/Tube
Nozzle
Air Unit
PresCompn
Electro Press SW
ContactSW
AirSens
PresSW Cool
Air Flo Sens/Ctrl
WaterRISens
TotAirSys (Total Air)
TotAirSys (Gamma)
Gas generator
RefrDry
DesicDry
HiPolymDry
MainFiltr
Dischrg etc
Ending

Air Filter Series



F.R.L. Dimensions

F.R. ● F1000-W

F (Filtr)

R (Reg)

L (Lub)

Drain Separ

Mech Press SW

Res press exh valve

SlowStart

Anti-bac/Bac-remove Filtr

Film Resist FR

Oil-Prohr

Med Press FR

No Cu/ PTFE FRL

Outdrs FRL

Adapter Joiner

Press Gauge

CompFRL

LgFRL

PrecsR

VacF/R

Clean FR

ElecPneur

AirBoost

Speed Ctrl

Silncr

CheckV/ other

Fit/Tube

Nozzle

Air Unit

PrecsCompn

Electro Press SW

ContactSW

AirSens

PresSW Cool

Air Flo Sens/Ctrl

WaterRiSens

TotAirSys (Total Air)

TotAirSys (Gamma)

Gas generator

RefrDry

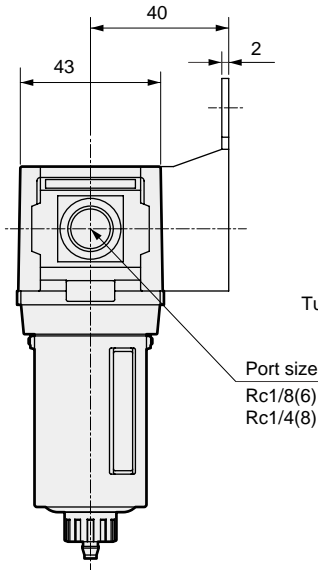
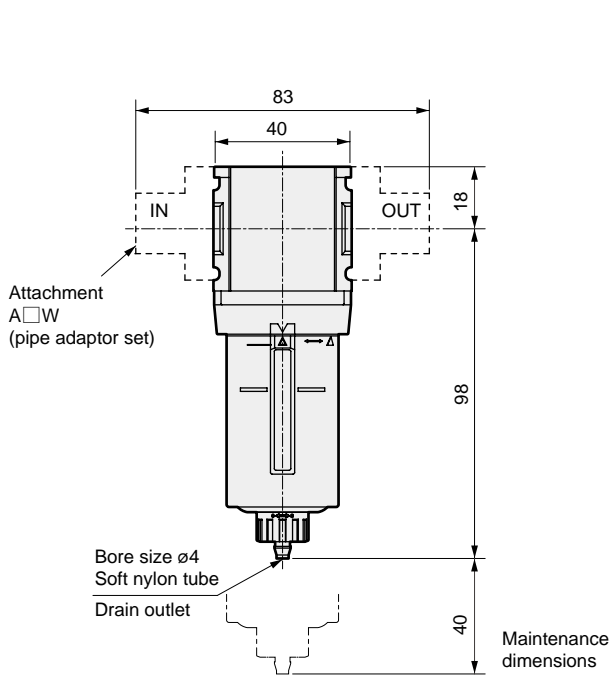
DesicDry

HiPolymDry

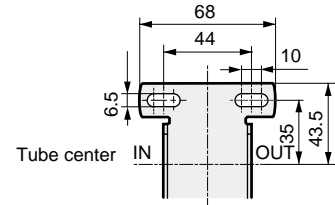
MainFiltr

Dischrg etc

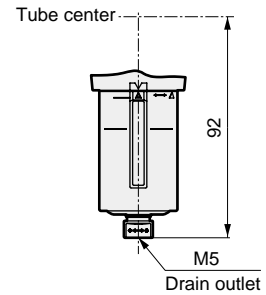
Ending



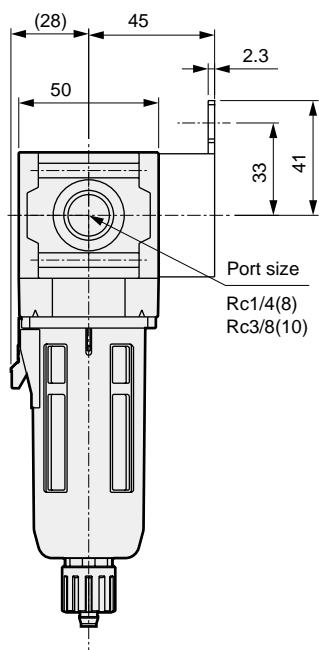
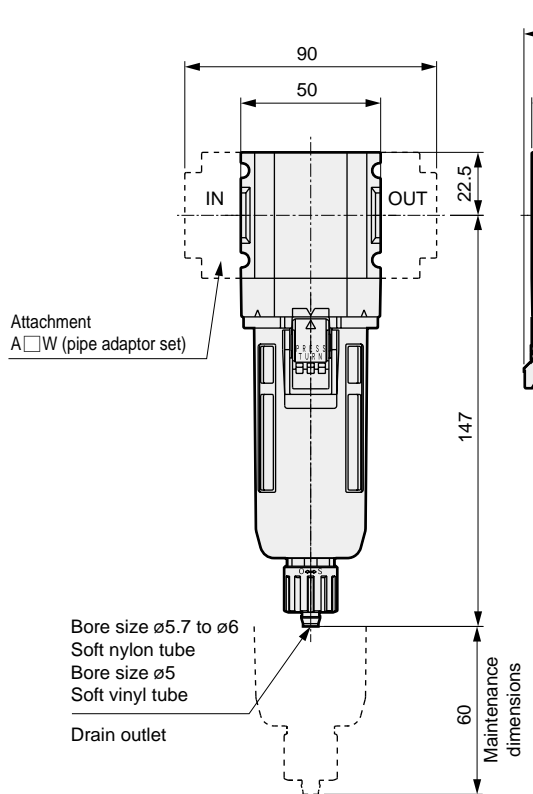
- Attachment C type bracket (-BW) Part model No.: B120
- Material: Steel Zinc plated



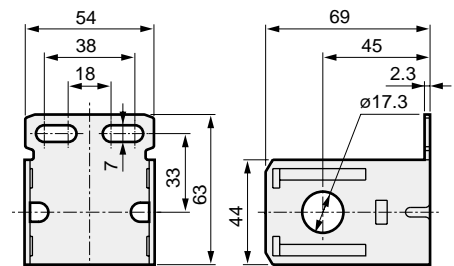
- Optional dimensions With auto-drain (F1)



● F2000-W



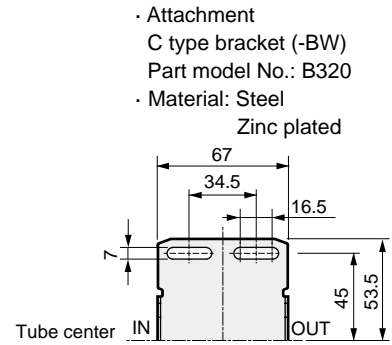
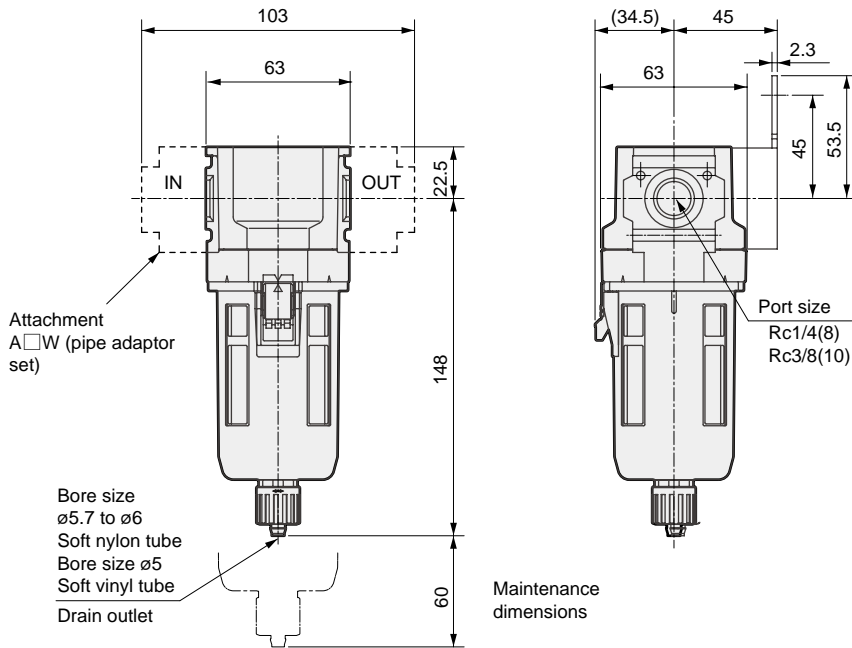
- Attachment C type bracket (-BW) Part model No.: B220
- Material: Steel Zinc plated



Dimensions



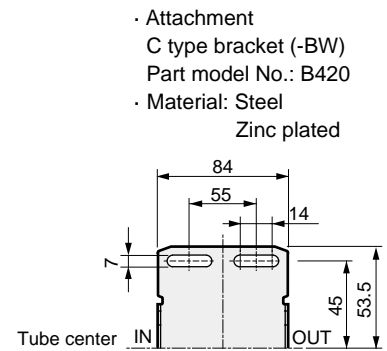
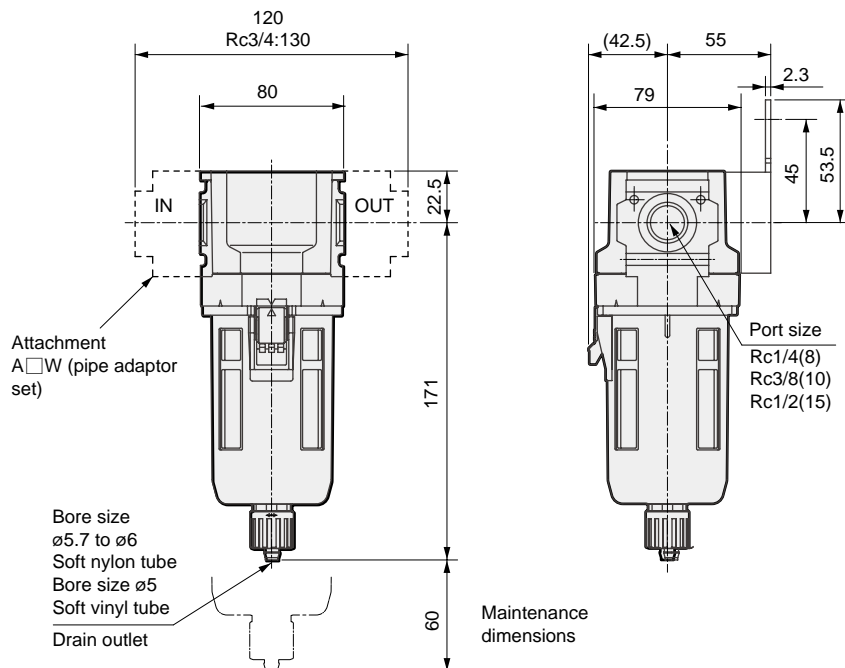
● F3000-W



● For the plastic bowl, the dimensions of the manual cock and the auto-drain are the same.

Note: The C type bracket and pipe adaptor set attachments cannot be used together.

● F4000-W



● For the plastic bowl, the dimensions of the manual cock and the auto-drain are the same.

F.R.L.
F.R.
F (Filtr)
R (Reg)
L (Lub)
Drain Separ
Mech Press SW
Res press exh valve
SlowStart
Anti-bac/Bac-remove Filtr
Film Resist FR
Oil-ProhR
Med Press FR
No Cu/ PTFE FRL
Outdrs FRL
Adapter Joiner
Press Gauge
CompFRL
LgFRL
PrecsR
VacF/R
Clean FR
ElecPneuR
AirBoost
Speed Ctrl
Silncr
CheckV/ other
Fit/Tube
Nozzle
Air Unit
PrecsCompn
Electro Press SW
ContactSW
AirSens
PresSW Cool
Air Flo Sens/Ctrl
WaterRISens
TotAirSys (Total Air)
TotAirSys (Gamma)
Gas generator
RefrDry
DesicDry
HiPolymDry
MainFiltr
Dischrg etc
Ending

Air Filter Series



F.R.L. Dimensions

F.R. ● F6000-W

F (Filtr)

R (Reg)

L (Lub)

Drain

Separ

Mech

Press SW

Res press

exh valve

SlowStart

Anti-bac/Bac-

remove Filtr

Film

Resist FR

Oil-ProhR

Med

Press FR

No Cu/

PTFE FRL

Outdrs FRL

Adapter

Joiner

Press

Gauge

CompFRL

LgFRL

PrecsR

VacF/R

Clean FR

ElecPneur

AirBoost

Speed Ctrl

Silncr

CheckV/

other

Fit/Tube

Nozzle

Air Unit

PrecsCompn

Electro

Press SW

ContactSW

AirSens

PresSW

Cool

Air Flo

Sens/Ctrl

WaterRiSens

TotAirSys

(Total Air)

TotAirSys

(Gamma)

Gas

generator

RefrDry

DesicDry

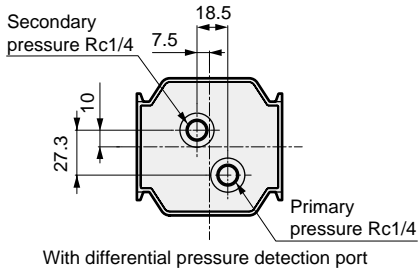
HiPolymDry

MainFiltr

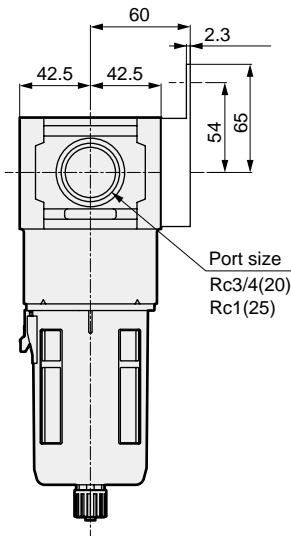
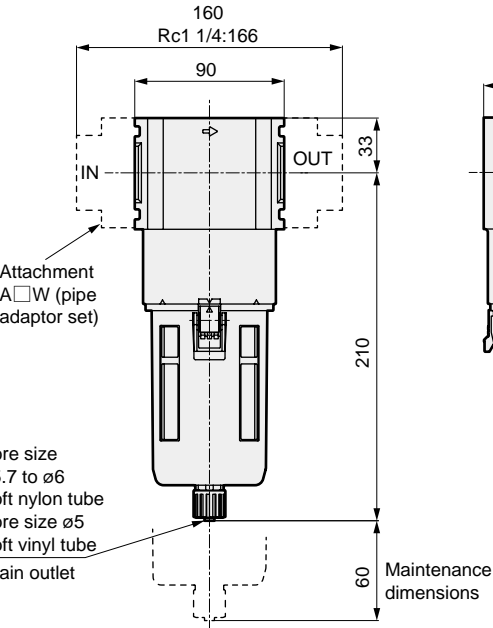
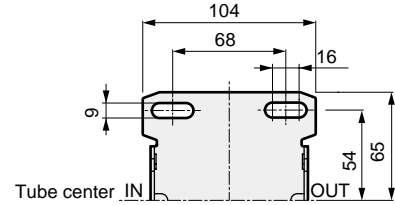
Dischrg

etc

Ending

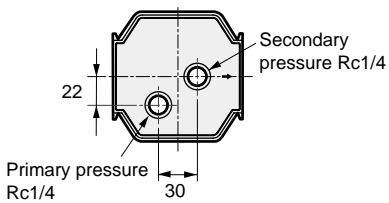


- Attachment
C type bracket (-BW)
Part model No.: B620
- Material: Steel
Zinc plated

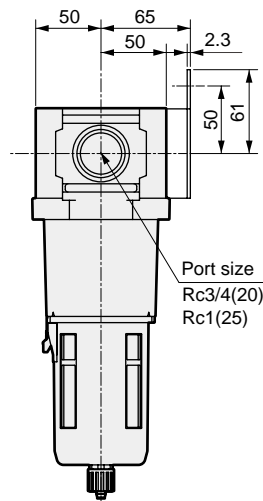
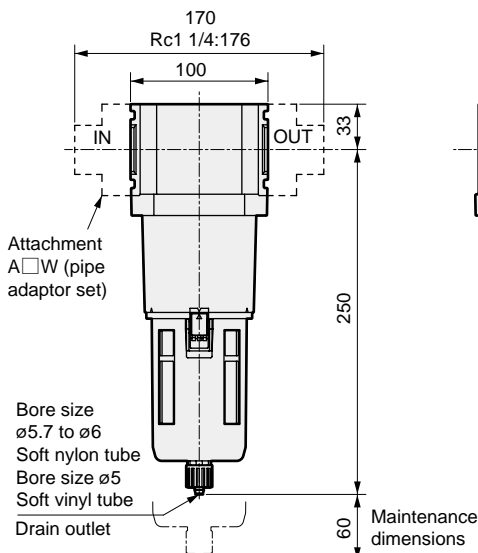
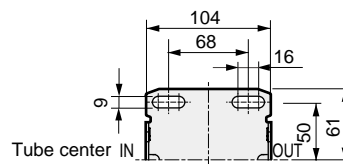


● F8000-W

With differential pressure detection port (Q)



- Attachment
C type bracket (-BW)
Part model No.: B820
- Material: Steel
Zinc plated

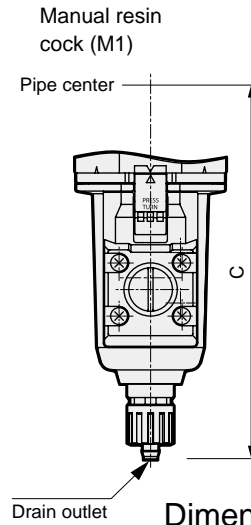
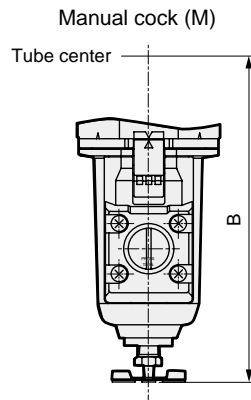
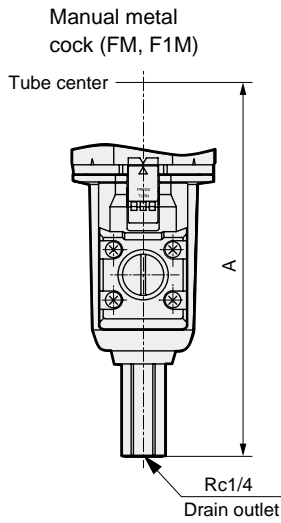


- For the plastic bowl, the dimensions of the manual cock and the auto-drain are the same.
- Note: The C type bracket and pipe adaptor set attachments cannot be used together.

Optional dimensions



- Metal bowl F2000-W/F3000-W/F4000-W/F6000-W/F8000-W (option)



- Material of the metal bowl is aluminum die-casting.

Dimensions table

Model No.	F1M	M	M1
	A	B	C
F2000-W	-	-	147
F3000-W	164	143.5	154
F4000-W	187	166.5	177
F6000-W	226	205	216
F8000-W	266	245.5	256

- F.R.L.
- F.R.
- F (Filtr)**
- R (Reg)
- L (Lub)
- Drain Separ
- Mech Press SW
- Res press exh valve
- SlowStart
- Anti-bac/Bac-remove Filtr
- Film Resist FR
- Oil-ProhR
- Med Press FR
- No Cu/PTFE FRL
- Outdrs FRL
- Adapter Joiner Press Gauge
- CompFRL
- LgFRL
- PrecsR
- VacF/R
- Clean FR
- ElecPneuR
- AirBoost
- Speed Ctrl
- Silncr
- CheckV/other
- Fit/Tube
- Nozzle
- Air Unit
- PrecsCompn
- Electro Press SW
- ContactSW
- AirSens
- PresSW Cool
- Air Flo Sens/Ctrl
- WaterRISens
- TotAirSys (Total Air)
- TotAirSys (Gamma)
- Gas generator
- RefrDry
- DesicDry
- HiPolymDry
- MainFiltr
- Dischrg etc
- Ending

Air Filter Series

F.R.L. Optional parts diagram

F.R. Element

Element model No. Model	5 µm Element	0.3 µm Element (Y)
F1000-W	F1000-ELEMENT-ASSY	-
W1000-W,W1100-W	W1000-ELEMENT-ASSY	-
F2000-W	F2000-ELEMENT	-
W2000-W,W2100-W	W2000-ELEMENT	-
F3000-W,FM3000-W	F3000-ELEMENT	F3000-ELEMENT-Y
W3000-W,W3100-W	W3000-ELEMENT	W3000-ELEMENT-Y
F4000-W,FM4000-W	F4000-ELEMENT	F4000-ELEMENT-Y
W4000-W,W4100-W	W4000-ELEMENT	W4000-ELEMENT-Y
F6000-W,FM6000-W	F6000-ELEMENT	F6000-ELEMENT-Y
W6000-W,FM8000-W	F8000-ELEMENT	F8000-ELEMENT-Y
W8000-W,W8100-W	W8000-ELEMENT	W8000-ELEMENT-Y

Note: For the F1000-W and W1000-W, the baffle and element are assembly parts.

(M1)

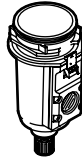
Metal bowl assembly with manual resin cock

(FM1)

NO auto-drain metal bowl assembly with manual resin cock

(F1M1)

NC auto-drain metal bowl assembly with manual resin cock



* 8000 Series large emission

(FFM1)

NO large auto-drain metal bowl assembly with manual resin cock

(FF1M1)

NC large auto-drain metal bowl assembly with manual resin cock

(FM)

NO auto-drain metal bowl assembly with manual metal cock

(F1M)

NC auto-drain metal bowl assembly with manual metal cock



Rc1/4

* 8000 Series large emission

(FFM)

NO large auto-drain metal bowl assembly with manual metal cock

(FF1M)

NC large auto-drain metal bowl assembly with manual metal cock

(M)

Metal bowl assembly with manual cock



(F)

NO auto-drain bowl assembly with manual resin cock

(F1)

NC auto-drain bowl assembly with manual resin cock



* 8000 Series large emission

(FF)

NO large auto-drain bowl assembly with manual resin cock

(FF1)

NC large auto-drain bowl assembly with manual resin cock

Body

Louver

5 µm element

Baffle

Bowl O-ring

(Z) Nylon bowl assembly with manual resin cock

Bowl assembly with manual resin cock

Bowl guard

(FZ)

NO auto-drain nylon bowl assembly with manual resin cock

(F1Z)

NC auto-drain nylon bowl assembly with manual resin cock

* 8000 Series large emission

(FFZ)

NO large auto-drain nylon bowl assembly with manual resin cock

(FF1Z)

NC large auto-drain nylon bowl assembly with manual resin cock

Repair parts kit

(set of louver, baffle, element and bowl O-ring)

Repair parts kits model No. Model	5 µm element	0.3 µm element (Y)
F1000-W *1	F1000-KIT	-
F2000-W	F2000-KIT	-
F3000-W,FM3000-W	F3000-KIT	F3000-KIT-Y
F4000-W,FM4000-W	F4000-KIT	F4000-KIT-Y
F6000-W,FM6000-W	F6000-KIT	F6000-KIT-Y
F8000-W, FM8000-W *2	F8000-KIT	F8000-KIT-Y

*1: In the case of the F1000-W, an assembly of baffle and element and a bowl O-ring are a package set.

*2: In the case of the F8000-W, the baffle, element and bowl O-ring are a package set.

Bowl guard

Bowl guard model No. Model	For polycarbonate bowl	For nylon bowl
F1000-W,W1000-W,W1100-W	F1000-W-BOWL-GUARD	F1000-W-BOWL-GUARD-Z
L1000-W	L1000-W-BOWL-GUARD	L1000-W-BOWL-GUARD-Z
M1000-W	M1000-W-BOWL-GUARD	M1000-W-BOWL-GUARD-Z
F2000-W,W2000-W,W2100-W	F2000-W-BOWL-GUARD	F2000-W-BOWL-GUARD-Z
W3100-W,F3000-W,W3000-W,M3000-W	F3000-W-BOWL-GUARD	F3000-W-BOWL-GUARD-Z
L3000-W	L3000-W-BOWL-GUARD	L3000-W-BOWL-GUARD-Z
F4000-W,W4000-W,M4000-W,W4100-W,F6000-W,M6000-W,W8100-W,F8000-W,W8000-W,M8000-W	F4000-W-BOWL-GUARD	F4000-W-BOWL-GUARD-Z
L4000-W,L8000-W	L4000-W-BOWL-GUARD	L4000-W-BOWL-GUARD-Z
W8100-W,F8000-W,W8000-W-FF,FF1	DT4000-W-BOWL-GUARD	DT4000-W-BOWL-GUARD-Z

Note: The bowl guard for 1000 Series F1 is sold as a set with the bowl assembly. The model No. is "F1000-W-BOWL-BOWL-GUARD-F1".

Bowl assembly (set of bowl assembly and bowl O-ring)

Bowl assembly model No. Model	PC bowl assembly with manual resin cock	PA bowl assembly with manual resin cock	Metal bowl assembly with manual cock	Metal bowl assembly with manual resin cock	NO auto-drain PC bowl assembly with manual resin cock *1	NC auto-drain PC bowl assembly with manual resin cock		
F1000-W,W1000-W M1000-W,W1100-W	F1000-W-BOWL	F1000-W-BOWL-Z	-	-	-	F1000-W-BOWL-BOWL GUARD-F1 *3		
F2000-W,W2000-W M2000-W,W2100-W	F2000-W-BOWL	F2000-W-BOWL-Z	-	F2000-W-BOWL-M1	-	M2000-W-BOWL-F1		
F3000-W,M3000-W W3000-W,W3100-W	F3000-W-BOWL	F3000-W-BOWL-Z	F3000-W-BOWL-M	F3000-W-BOWL-M1	F3000-W-BOWL-F	M3000-W-BOWL-F1		
FM3000-W,MM3000-W	-	-		-	-	-		
F4000-W,F6000-W M4000-W,M6000-W F8000-W,M8000-W W4000-W,W4100-W W8000-W,W8100-W	F4000-W-BOWL	F4000-W-BOWL-Z	F4000-W-BOWL-M	F4000-W-BOWL-M1	F4000-W-BOWL-F	M4000-W-BOWL-F1		
FM4000-W,FM6000-W FM8000-W,MM4000-W MM6000-W,MM8000-W	-	-		-	-	-		
Bowl assembly model No. Model	NO auto-drain PA bowl assembly with manual resin cock *1	NC auto-drain PA bowl assembly with manual resin cock	NO auto-drain metal bowl assembly with manual metal cock *1	NO auto-drain metal bowl assembly with manual resin cock	NC auto-drain metal bowl assembly with manual metal cock	NC auto-drain metal bowl assembly with manual resin cock	NO auto-drain bowl assembly for medium pressure *1	NC auto-drain bowl assembly for medium pressure
F1000-W,W1000-W M1000-W,W1100-W	-	F1000-W-BOWL-BOWL GUARD-F1Z *3	-	-	-	-	-	-
F2000-W,W2000-W M2000-W,W2100-W	-	M2000-W-BOWL-F1Z	-	-	-	M2000-W-BOWL-F1M1	-	-
F3000-W,M3000-W W3000-W,W3100-W	F3000-W-BOWL-FZ	M3000-W-BOWL-F1Z	F3000-W-BOWL-FM	F3000-W-BOWL-FM1	M3000-W-BOWL-F1M	M3000-W-BOWL-F1M1	-	-
FM3000-W,MM3000-W	-	-	-	-	-	-	FM3000-W-BOWL-F	MM3000-W-BOWL-F1
F4000-W,F6000-W M4000-W,M6000-W F8000-W,M8000-W W4000-W,W4100-W W8000-W,W8100-W	F4000-W-BOWL-FZ	M4000-W-BOWL-F1Z	F4000-W-BOWL-FM	F4000-W-BOWL-FM1	M4000-W-BOWL-F1M	M4000-W-BOWL-F1M1	-	-
FM4000-W,FM6000-W FM8000-W,MM4000-W MM6000-W,MM8000-W	-	-	-	-	-	-	FM4000-W-BOWL-F	MM4000-W-BOWL-F1
Bowl assembly model No. Model	NO large auto-drain PC bowl assembly with manual resin cock	NC large auto-drain PC bowl assembly with manual resin cock	NO large auto-drain PA bowl assembly with manual resin cock	NC large auto-drain PA bowl assembly with manual resin cock	NO large auto-drain metal bowl assembly with manual metal cock	NC large auto-drain metal bowl assembly with manual metal cock	NO large auto-drain metal bowl assembly with manual resin cock	NC large auto-drain metal bowl assembly with manual resin cock
F8000-W,W8000-W W8100-W	F8000-W-BOWL-FF	F8000-W-BOWL-FF1	F8000-W-BOWL-FFZ	F8000-W-BOWL-FF1Z	F8000-W-BOWL-FFM	F8000-W-BOWL-FF1M	F8000-W-BOWL-FFM1	F8000-W-BOWL-FF1M1

*1: NO auto-drain cannot be selected for the oil mist filter M1000-W, M3000-W, M4000-W, M6000-W and M-8000W and oil mist filter for medium pressure MM3000-W, MM4000-W, MM6000-W and MM8000-W.

*2: The large discharge auto-drain cannot be installed on the M8000-W.

*3: The bowl assembly for the 1000 Series F1 is sold as a set with the bowl guard.

F.R.L.
F.R.
F (Filtr)
R (Reg)
L (Lub)
Drain Separ
Mech Press SW
Res press exh valve
SlowStart
Anti-bac/Bac-remove Filtr
Film Resist FR
Oil-ProhR
Med Press FR
No Cu/ PTFE FRL
Outdrs FRL
Adapter Joiner Press Gauge
CompFRL
LgFRL
PrecsR
VacF/R
Clean FR
ElecPneuR
AirBoost
Speed Ctrl
Silncr
CheckV/ other
Fit/Tube
Nozzle
Air Unit
PrecsCompn
Electro Press SW
ContactSW
AirSens
PresSW Cool
Air Flo Sens/Ctrl
WaterRISens
TotAirSys (Total Air)
TotAirSys (Gamma)
Gas generator
RefrDry
DesicDry
HiPolymDry
MainFiltr
Dischrg etc
Ending