

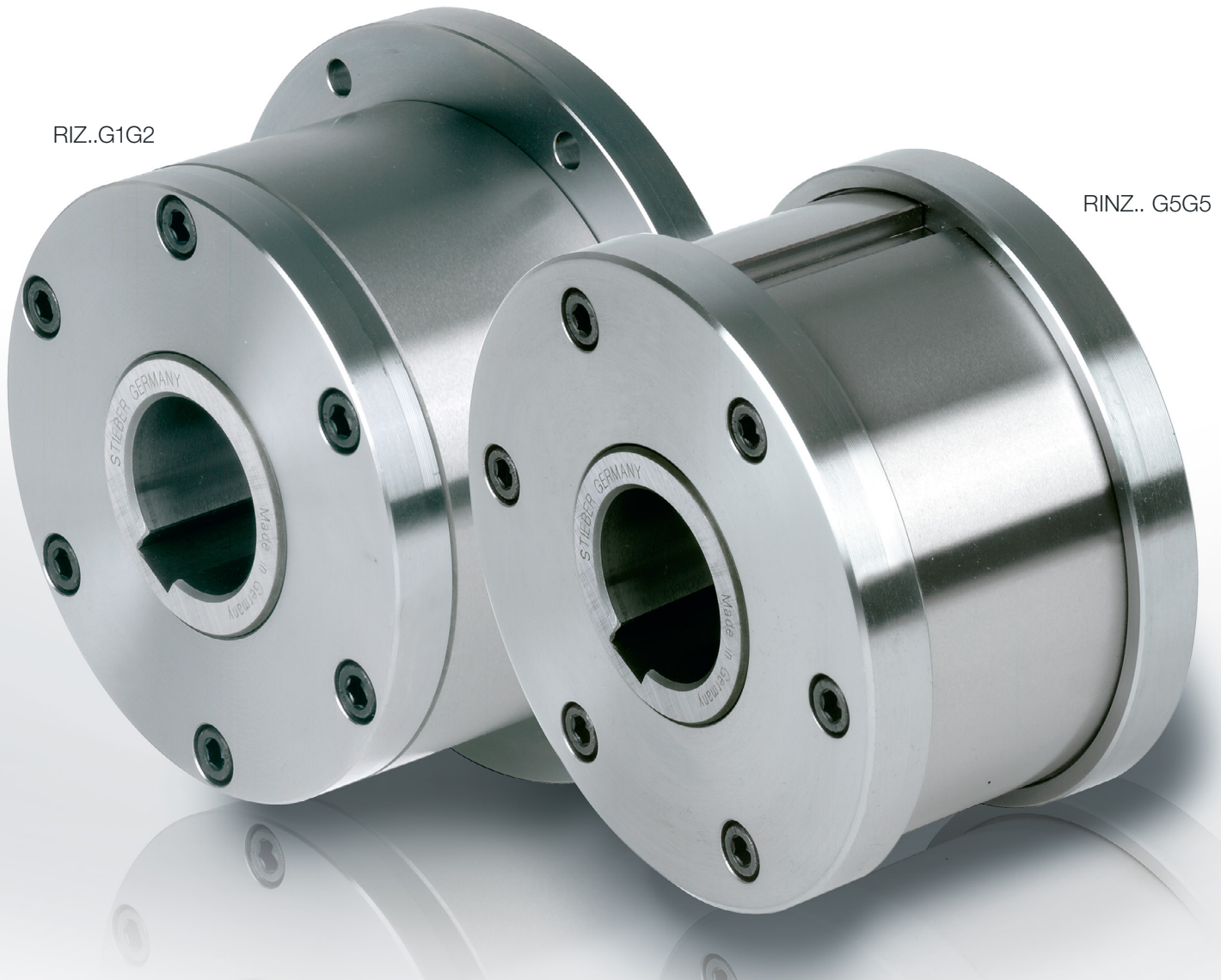
## Centrifugally Lift Off Sprags Freewheels

# RIZ..G1G2, RIZ..G2G7 RINZ..G5G5



Back of  
RIZ..G1G2

### TYPE



RIZ..G1G2

RINZ.. G5G5

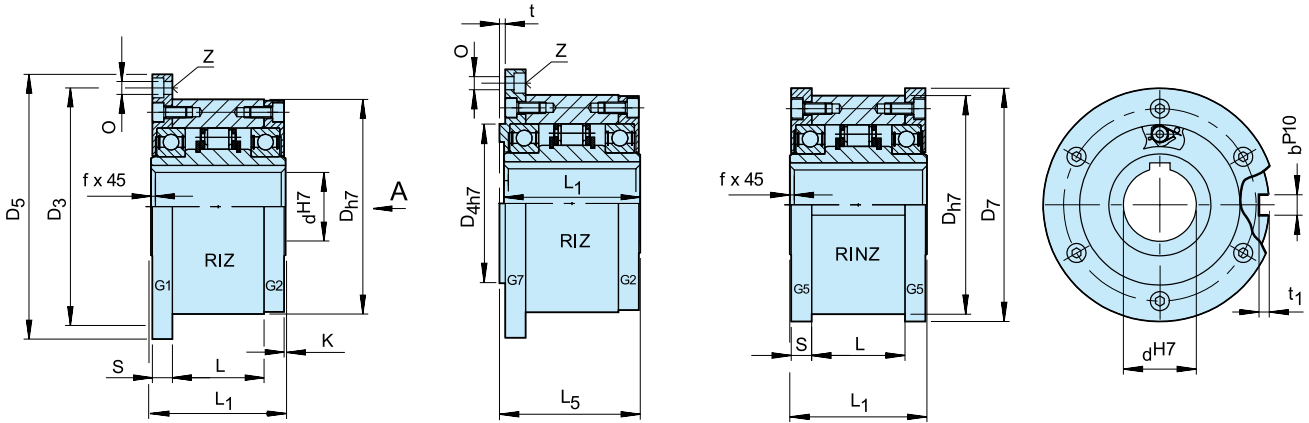
Types RIZ..G1G2/G7G2, RINZ..G5G5 are centrifugal lift off sprag type freewheels with the inner race rotating. Only the inner race is designed for freewheeling.

These are self-contained units designed for overrunning clutch applications. Typically used in crawl drives, where the overrunning speed is high but the drive speed is low and does not exceed the maximum driving speed specified in the table. They are type RIZ, RINZ

(see page 82 for more information) equipped with G type covers featuring a grease pocket and contact free seal. When ordered complete, the unit is delivered grease lubricated, ready for either horizontal or vertical installation.

# Centrifugally Lift Off Sprags Freewheels

## RIZ..G1G2, RIZ..G2G7, RINZ..G5G5



RIZ...G1G2

RIZ...G2G7

RINZ...G5G5

Type	Size	Speeds					Number										Weight				
RIZ RINZ	$d^{H7}$ [mm]	$T_{KN}^{1)}$ [Nm]	$n_{max}^{2)}$ [min <sup>-1</sup> ]	$n_{imin}^{3)}$ [min <sup>-1</sup> ]	$n_{imax}^{4)}$ [min <sup>-1</sup> ]	$D_{h7}$ [mm]	$D_3$ [mm]	$D_{4h7}$ [mm]	$D_5$ [mm]	$D_7$ [mm]	$O$	$z$	$S$ [mm]	$L_1$ [mm]	$L$ [mm]	$L_5$ [mm]	$t$ [mm]	$t_1$ [mm]	$b^{P10}$ [mm]	$f$ [mm]	[kg]
	30	375	290	700	9000	100	114	75	128	109	6,6	6	11,5	68	43	70	3	4	8	1,0	3,9
	35	550	280	670	8500	110	124	80	140	119	6,6	6	13,5	74	45	76	3,5	5	10	1,0	4,9
	40	800	260	630	7500	125	142	90	160	135	9	6	15,5	86	53	88	3,5	5	12	1,5	7,5
	45	912	255	610	6700	130	146	95	165	140	9	8	15,5	86	53	88	3,5	5,5	14	1,5	7,8
	50	1400	235	560	6000	150	166	110	185	160	9	8	14	94	64	96	4	5,5	14	1,5	10,8
	60	2350	210	510	5300	170	192	125	214	182	11	10	17	114	78	116	4	7	18	2,0	16,8
	70	3050	195	470	4000	190	212	140	234	202	11	10	18,5	134	95	136	4	7,5	20	2,5	20,8
	80	5800	155	375	4000	210	232	160	254	222	11	10	21	144	100	146	4	9	22	2,5	27
	90	8700	145	350	3000	230	254	180	278	242	14	10	20,5	158	115	160	4,5	9	25	3,0	40
	100	16000	140	340	2400	270	305	210	335	282	18	10	30	182	120	184	5	10	28	3,0	67
	130	23000	130	320	2400	310	345	240	380	322	18	12	29	212	152	214	5	11	32	3,0	94

### NOTES

- $T_{max} = 2 \times T_{KN}$   
» Refer to Selection page 7 to 11
- This maximum allowable torque transmission speed  $n_{max}$  must not be exceeded when transmitting torque
- This minimum allowable overrunning speed  $n_{imin}$  should not be reduced under continuous operation. Possible reduction of this minimum speed on request
- Inner race overruns  
Keyway to DIN 6885.1

When ordering, please specify direction of rotation seen from arrow „A“: „R“ Inner race overruns in clockwise direction, „L“ Inner race overruns in counterclockwise direction

» Refer to mounting and maintenance instructions page 12 to 13

### MOUNTING EXAMPLE

