

DEUBLIN

Rotary Union 54 Series

Stainless Steel for Water, DN 10 – 40

- Monoflow design – for duoflow design refer to page 16
- Self-supported Rotary Union
- Radial and axial housing connection
- Media contacting parts made of stainless steel
- Suitable for the food, chemical & pharmaceutical industries
- Full-media flow
- Seal combination:
Tungsten Carbide/Ceramic

For further information please contact Deublin or your local representative.



Operating Data

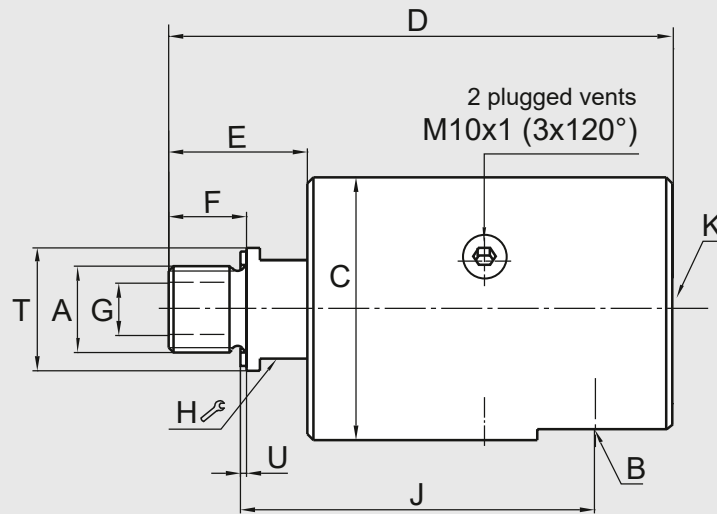
Max. Water Pressure and Max. Speed	see Diagram on page 16	
Max. Speed NPT Threads	1,500 rpm	1.500 min ⁻¹
Max. Temperature	160 °F	71 °C
For higher temperature please consult Deublin.		

Temperature > 71 °C / 160 °F – max. 90 °C / 194 °F only if max. pressure ≤ 10 bar (150 PSI) and media is liquid (not gaseous).



DO NOT RUN DRY

Monoflow Rotary Union



Monoflow Rotary Union

DN	B	Ordering-No	A Rotor Connections		C Ø	D	E	F	G Ø	H ⌀	J	K	T Øh11	U	kg
10	G 3/8	54-020-110	G 3/8	RH	49	101	26	16	9.5	19	72	G 3/8	22	1.6	1.1
	G 3/8	54-020-112	3/8 NPT	RH	49	103	28	16	9.5	19	81	G 3/8	22	–	1.1
15	G 1/2	154-020-110	G 1/2	RH	64	123	34	19	12.7	24	89	G 3/8	30	1.6	1.8
	G 1/2	154-020-112	1/2 NPT	RH	64	123	34	19	12.7	24	96	G 3/8	30	–	1.8
20	G 3/4	254-020-110	G 3/4	RH	73	138	36.7	19	17.5	30	97	G 3/4	35	1.6	2.6
	G 3/4	254-020-112	3/4 NPT	RH	73	136	34.6	19	17.5	30	102	G 3/4	35	–	2.6
25	G 1	354-020-110	G 1	RH	94	162	43.5	22	25	36	116	G 3/4	45	1.6	5.1
	G 1	354-020-112	1 NPT	RH	94	162	44	22	25	36	124	G 3/4	45	–	5.1
32	G 1	524-020-110	G 1 1/4	RH	99	182	54.5	27	31.8	41	123	G 1 1/4	50	1.6	6
40	G 1 1/4	554-020-110	G 1 1/2	RH	108	200	58	29	35	50	135	G 1 1/4	60	1.6	8.2
	G 1 1/4	554-020-112	1 1/2 NPT	RH	108	199	57	30	35	50	147	G 1 1/4	60	–	8.2



DEUBLIN

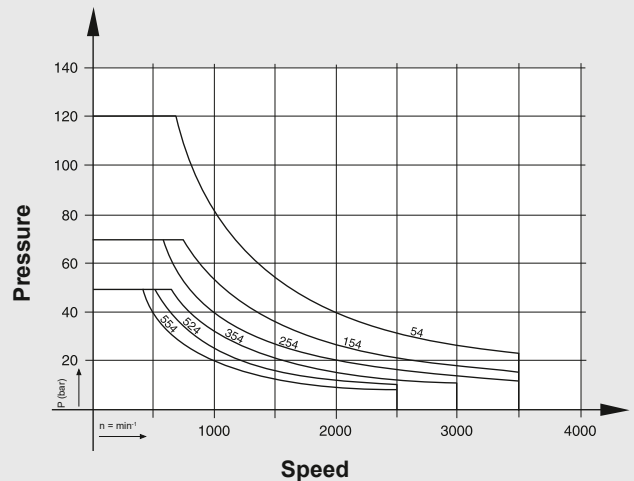
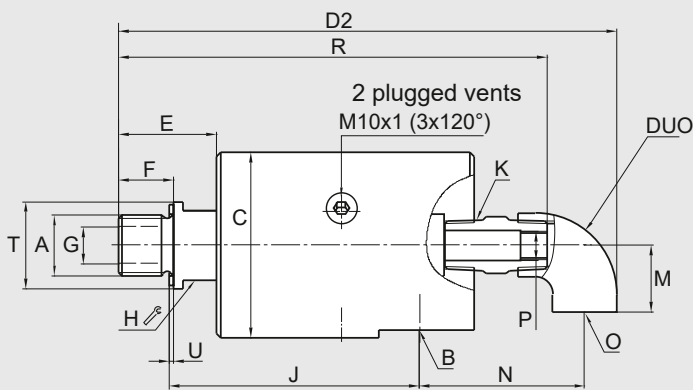
Rotary Union 54 Series

Stainless Steel for Water, DN 10 – 40

- Duoflow design – for monoflow design refer to page 15
- Self-supported Rotary Union
- Radial and axial housing connection
- Media contacting parts made of stainless steel
- Suitable for the food, chemical & pharmaceutical industries
- Full-media flow
- Seal combination:
Tungsten Carbide/Ceramic

For further information please contact Deublin or your local representative.

Monoflow Rotary Union + Elbow = Duoflow Rotary Union



Note: 1,000 RPM max.
for Duoflow

Monoflow Rotary Union + Elbow = Duoflow Rotary Union

DN	Ordering-No Monoflow Union	Ordering-No Elbow	D2	M	N	O	P	R	kg
10	54-020-110	54-150	154	23	57	G 3/8	M6	128	1.3
	54-020-112	54-150	156	23	57	G 3/8	M6	130	1.3
15	154-020-110	154-150	176	23	59	G 3/8	G 1/8	150	2.1
	154-020-112	154-150	176	23	59	G 3/8	G 1/8	150	2.1
20	254-020-110	254-150	216	33	85	G 3/4	G 1/4	176	2.8
	254-020-112	254-150	214	33	85	G 3/4	G 1/4	174	2.8
25	354-020-110	354-150	240	33	87	G 3/4	G 3/8	200	5.3
	354-020-112	354-150	240	33	87	G 3/4	G 3/8	200	5.3
32	524-020-110	524-150	290	45	118	G 1 1/4	G 1/2	234	6.3
40	554-020-110	554-150	308	45	120	G 1 1/4	G 3/4	251	8.6
	554-020-112	554-150	307	45	120	G 1 1/4	G 3/4	250	8.6