

DEUBLIN

Rotary Union 6000 Series Water Service, DN 50 – 100

- Monoflow and duoflow design
- Self-supported Rotary Union
- Radial housing connection
- Steel banded floating seal
- Easy and quick replacement of sealing components (rotor seal, floating seal)
- Full-media flow
- Vent slots
- Cast iron housing
- Steel rotor
- Balanced mechanical seal – standard: Carbon Graphite/Tungsten Carbide
- Lubrication Guide page 43

For further information please contact Deublin or your local representative.



Operating Data

Max. Water Pressure		150 PSI	10 bar
Max. Speed		750 rpm	750 min ⁻¹
Torque for	Model	6200	4 FT.LBS 5,4 Nm
		6250	7 FT.LBS 9,5 Nm
		6300	8 FT.LBS 10,9 Nm
		6400	10 FT.LBS 13,6 Nm
Max. Temperature		250 °F	121 °C

For higher temperature please consult Deublin.

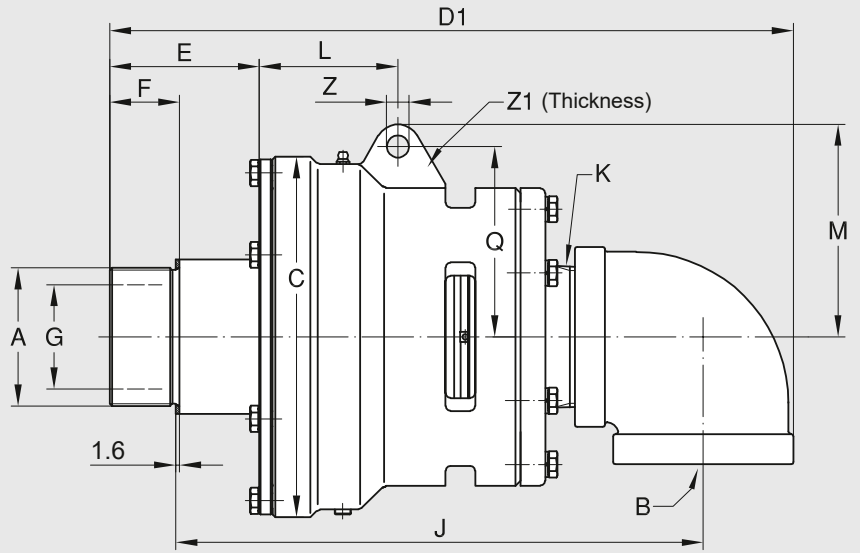
Deublin Exclusive On-The-Machine Repair Cartridge

Seals are replaced quickly and easily. There's no need to remove hose connections or use special tools.

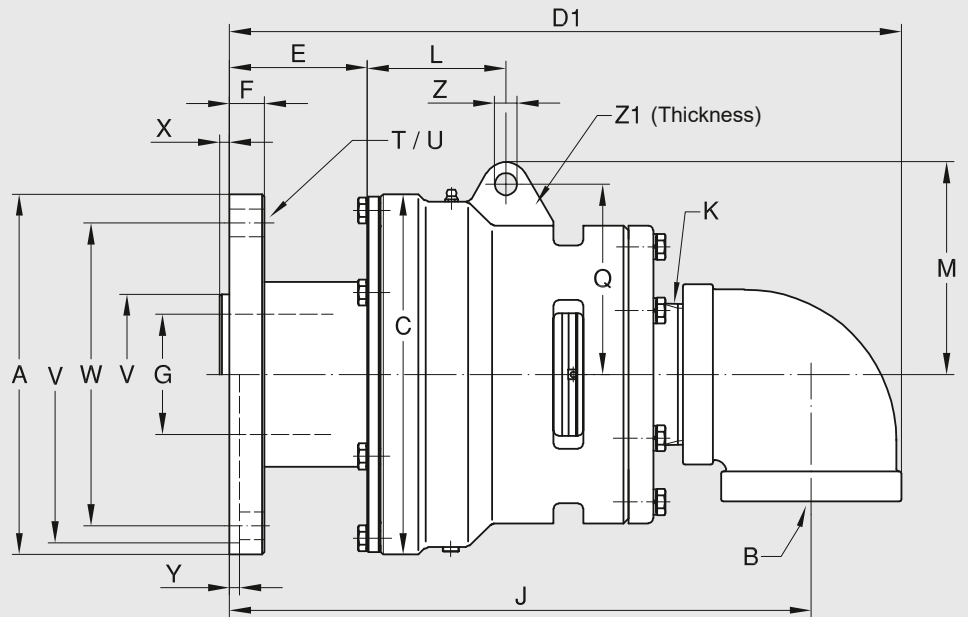
Make sure the system is cold and pressureless! Simply remove 6 hex bolts and end cap then remove floating seal cartridge and rotor seal face and replace with new seals. Rotor seal is keyed and sealed to the rotor with a built-in O-Ring. Replace end cap, hex bolts and safety wire. Detailed instructions available from Deublin.

Monoflow Rotary Union

Threaded Rotor



Flanged Rotor

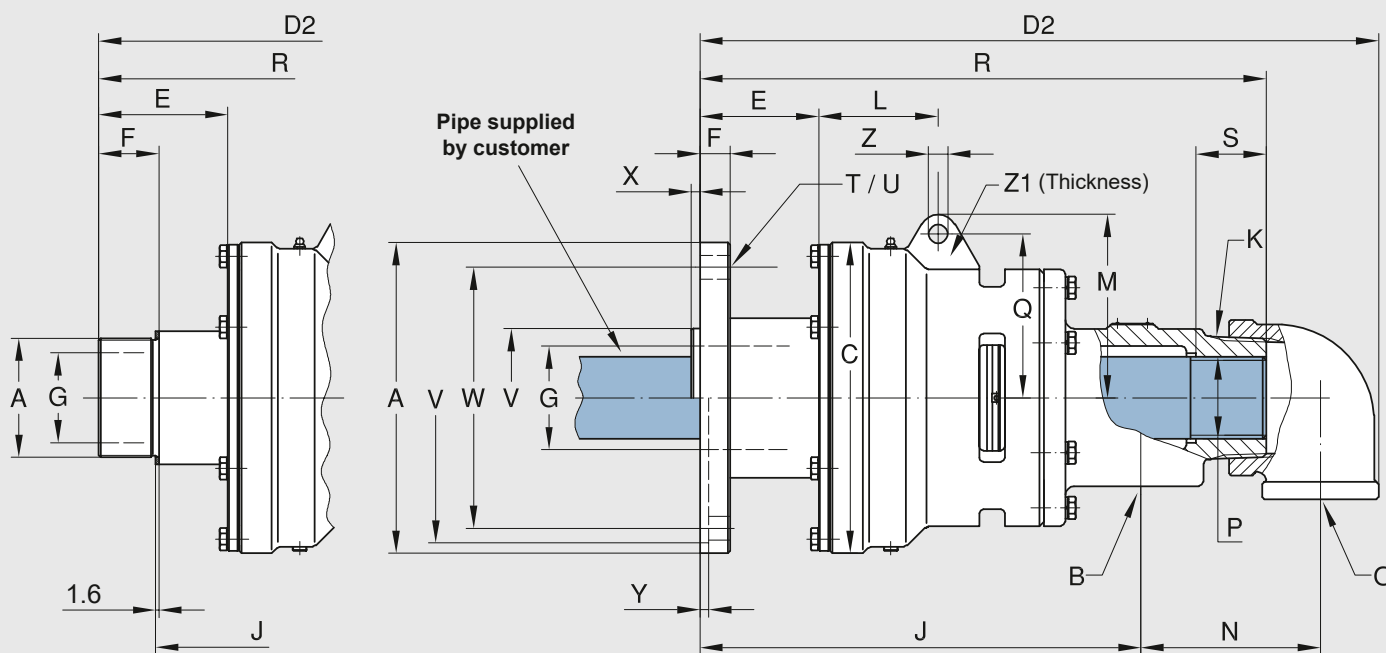


Flange O-Ring

(supplied by Deublin) for:
 Model O-Ring Size
 6200 94.6 x 5.33 Viton
 6250 94.6 x 5.33 Viton
 6300 126.4 x 5.33 Viton
 6400 151.8 x 5.33 Viton

DN	B NPT	Ordering-No STD	A Rotor Connections		C Ø	D1	E	F	G Ø	J	K NPT	L	M	Q	T	U Ø	V ØPT	W Ø	X	Y	Z Ø	Z1	kg	
50	2	6200-001-123	2 NPT	RH	133	298	74	41	47.6	245	2	73	89	78	-	-	-	-	-	-	12.7	25.4	9.5	
	2	6200-001-135	2 NPT	LH	133	298	74	41	47.6	245	2	73	89	78	-	-	-	-	-	-	12.7	25.4	9.5	
	2	6200-001-137	G 2	RH	133	292	66	29	47.6	228	2	73	90	78	-	-	-	-	-	-	12.7	25.4	9.5	
	2	6200-001-139	G 2	LH	133	292	66	29	47.6	228	2	73	90	78	-	-	-	-	-	-	12.7	25.4	9.5	
	2	6200-001-115	Flange Ø228.6			133	308	82	25.4	47.6	270	2	73	90	78	4 x 90°	17.5	211.25 211.20	162	-	6.4	12.7	25.4	16.5
65	2 1/2	6250-001-115	2 1/2 NPT	RH	178	367	84	48	60.3	296	2 1/2	95	113	98	-	-	-	-	-	-	14.3	25.4	23	
	2 1/2	6250-001-119	2 1/2 NPT	LH	178	367	84	48	60.3	296	2 1/2	95	113	98	-	-	-	-	-	-	14.3	25.4	23	
	2 1/2	6250-001-121	G 2 1/2	RH	178	367	84	38	60.3	283	2 1/2	95	113	98	-	-	-	-	-	-	14.3	25.4	23	
	2 1/2	6250-001-123	G 2 1/2	LH	178	367	84	38	60.3	283	2 1/2	95	113	98	-	-	-	-	-	-	14.3	25.4	23	
	2 1/2	6250-001-300	Flange Ø228.6			178	373	90	25.4	60.3	325	2 1/2	95	113	98	4 x 90°	17.5	211.25 211.20	162	-	6.4	14.3	25.4	27.7
80	3	6300-001-157	3 NPT	RH	229	432	99	48	73	354	3	88	135	121	-	-	-	-	-	-	14.3	25.4	45.5	
	3	6300-001-158	3 NPT	LH	229	432	99	48	73	354	3	88	135	121	-	-	-	-	-	-	14.3	25.4	45.5	
	3	6300-001-103	Flange Ø228.6			229	424	88	22.2	76.2	370	3	88	135	121	6 x 60°	17.5	101.70 101.65	192	6.4	-	14.3	25.4	52
100	4	6400-030-330	Flange Ø276			280	483	78	22.2	101.6	411	4	94	156	133	6 x 60°	20.6	120.62 120.55	228.6	7.5	-	16	32	77

Duoflow Rotary Union for Threaded Supply Pipe

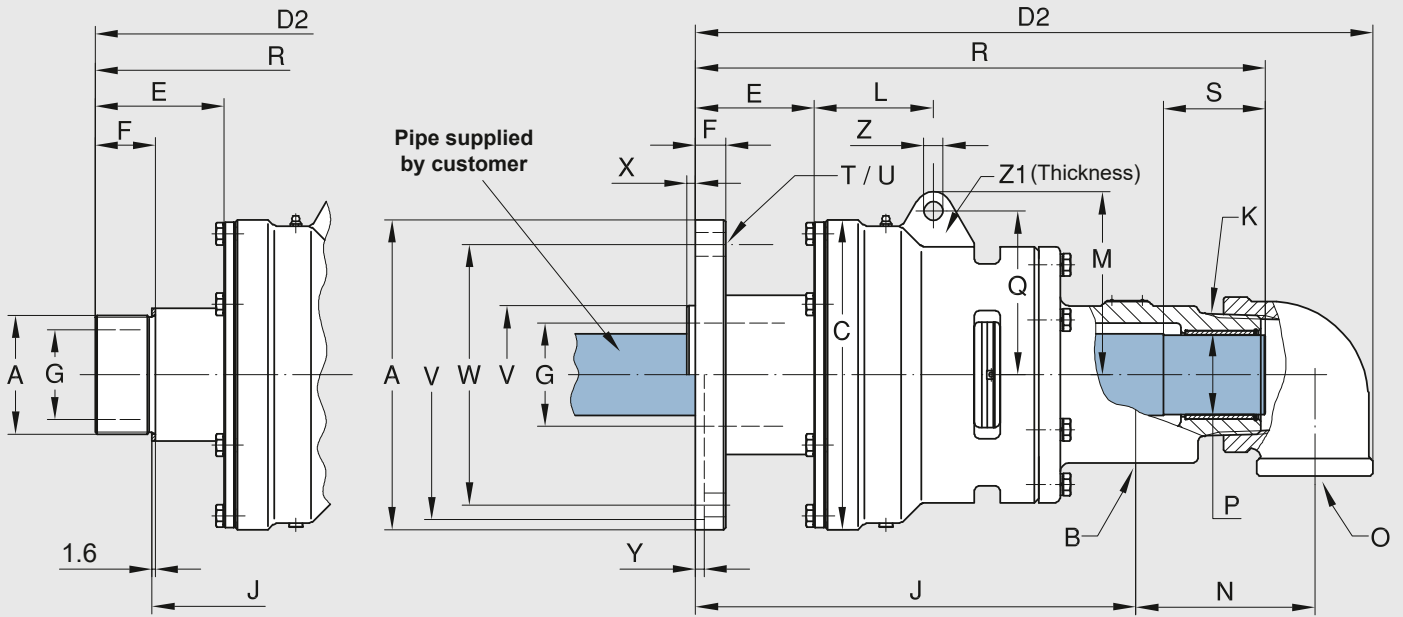


Duoflow Rotary Union

DN	B + O NPT	Ordering-No	A Rotor Connections		C Ø	D ₂	E	F	G Ø	J	K NPT	L	M	N	P Pipe
50	(2) x 1	6200-011-135	2 NPT	LH	133	331	74	38	47.6	216	2	73	90	86	1 ½ NPT
65	(2) x 1 ½	6250-025-121	G 2 ½	RH	178	410	84	38	60.3	234	2 ½	95	111	110	G 1 ½
	(2) x 1 ½	6250-025-123	G 2 ½	LH	178	410	84	38	60.3	234	2 ½	95	111	110	G 1 ½
	(2) x 1 ½	6250-025-300	Flange Ø228.6		178	416	90	25	60.3	275	2 ½	95	111	110	G 1 ½
80	(2) x 2	6300-006-103	Flange Ø228.6		229	499	87	22.2	76	324	3	88	135	132	2 NPT
	(2) x 2	6300-025-103	Flange Ø228.6		229	502	87	22	76	324	3	88	135	132	G 2
100	(2) x 2 ½	6400-024-330	Flange Ø276		280	548	78	22.2	101.6	350	4	95	156	144	2 ½ NPT
	(2) x 2 ½	6400-053-330	Flange Ø276		280	548	78	22.2	101.6	350	4	95	156	144	G 2 ½

DN	B + O NPT	Ordering-No	Q	R	S	T	U Ø	V ØPT	W Ø	X	Y	Z Ø	Z ₁	kg
50	(2) x 1	6200-011-135	78	276	-	-	-	-	-	-	-	12.7	25.4	13.2
65	(2) x 1 ½	6250-025-121	98	347	25	-	-	-	-	-	-	14.3	25.4	25.2
	(2) x 1 ½	6250-025-123	98	347	25	-	-	-	-	-	-	14.3	25.4	25.2
	(2) x 1 ½	6250-025-300	98	353	25	4 x 90°	17.5	211.25 211.20	162	-	6.4	14.3	25.4	29
80	(2) x 2	6300-006-103	121	416	28	6 x 60°	17.5	101.70 101.65	192	6.4	-	14.3	25.4	55
	(2) x 2	6300-025-103	121	416	28	6 x 60°	17.5	101.70 101.65	192	6.4	-	14.3	25.4	55
100	(2) x 2 ½	6400-024-330	133	445	-	6 x 60°	20.6	120.625 120.600	228.6	7.5	-	16	32	77
	(2) x 2 ½	6400-053-330	133	445	40	6 x 60°	20.6	120.625 120.600	228.6	7.5	-	16	32	77

Duoflow Rotary Union for Rotating Supply Pipe



DN	B + O NPT	Ordering-No	A Rotor Connections		C Ø	D ₂	E	F	G Ø	J	K NPT	L	M	N	P Pipe
50	(2) x 1	6200-002-123	2 NPT	RH	133	344	75	38	47.6	205	2	73	90	86	31.62 - 31.49
	(2) x 1	6200-002-137	G 2	RH	133	321	66	29	47.6	181	2	73	90	86	31.62 - 31.49
	(2) x 1	6200-002-139	G 2	LH	133	321	66	29	47.6	181	2	73	90	86	31.62 - 31.49
	(2) x 1	6200-002-115	Flange Ø228.6		133	337	82	25.4	47.6	223	2	73	90	86	31.62 - 31.49
65	(2) x 1 1/2	6250-002-115	2 1/2 NPT	RH	178	412	84	38	60.3	247	2 1/2	95	113	110	47.42 - 47.37
	(2) x 1 1/2	6250-002-119	2 1/2 NPT	LH	178	412	84	38	60.3	247	2 1/2	95	113	110	47.42 - 47.37
	(2) x 1 1/2	6250-002-121	G 2 1/2	RH	178	412	84	38	60.3	233	2 1/2	95	113	110	47.42 - 47.37
	(2) x 1 1/2	6250-002-123	G 2 1/2	LH	178	412	84	38	60.3	233	2 1/2	95	113	110	47.42 - 47.37
	(2) x 1 1/2	6250-002-300	Flange Ø228.6		178	420	90	25.4	60.3	275	2 1/2	95	113	110	47.42 - 47.37
80	(2) x 2	6300-002-157	3 NPT	RH	229	509	98	48	73	310	3	88	135	132	58.62 - 68.47
	(2) x 2	6300-002-103	Flange Ø228.6		229	499	87	22.2	76	324	3	88	135	132	58.62 - 68.47
100	(2) x 2 1/2	6400-031-330	Flange Ø276		280	550	78	22.2	101.6	350	4	95	156	144	69.72 - 69.65
	(2) x 2 1/2	6400-040-330	Flange Ø276		280	549	78	22.2	101.6	350	4	95	156	144	74.80 - 74.34

DN	B + O NPT	Ordering-No	Q	R	S	T	U Ø	V ØPT	W Ø	X	Y	Z Ø	Z ₁	kg
50	(2) x 1	6200-002-123	78	271	48	-	-	-	-	-	-	12.7	25.4	13.2
	(2) x 1	6200-002-137	78	267	48	-	-	-	-	-	-	12.7	25.4	13.2
	(2) x 1	6200-002-139	78	267	48	-	-	-	-	-	-	12.7	25.4	13.2
	(2) x 1	6200-002-115	78	284	48	4 x 90°	17.5	211.25 - 211.20	162	-	6.4	12.7	25.4	18.2
65	(2) x 1 1/2	6250-002-115	98	340	54	-	-	-	-	-	-	14.3	25.4	25.2
	(2) x 1 1/2	6250-002-119	98	340	54	-	-	-	-	-	-	14.3	25.4	25.2
	(2) x 1 1/2	6250-002-121	98	346	54	-	-	-	-	-	-	14.3	25.4	25.2
	(2) x 1 1/2	6250-002-123	98	346	54	-	-	-	-	-	-	14.3	25.4	25.2
	(2) x 1 1/2	6250-002-300	98	352	54	4 x 90°	17.5	211.25 - 211.20	162	-	6.4	14.3	25.4	31.8
80	(2) x 2	6300-002-157	121	411	75	-	-	-	-	-	-	14.3	25.4	55
	(2) x 2	6300-002-103	121	420	75	6 x 60°	17.5	101.700 - 101.695	192	6.4	-	14.3	25.4	55
100	(2) x 2 1/2	6400-031-330	133	451	76	6 x 60°	20.6	120.625 - 120.600	228.6	7.5	-	16	32	77
	(2) x 2 1/2	6400-040-330	133	446	100	6 x 60°	20.6	120.625 - 120.600	228.6	7.5	-	16	32	77