



DEUBLIN

Rotary Union with Flange Rotor, DN 50 and 65

- Monoflow and duoflow design
- Self-supported Rotary Union
- Radial housing connection
- 3 or 6 vent holes
- Forged brass housing (DN 50) and Cast iron housing (DN 65)
- Steel rotor
- Balanced mechanical seal – standard:
Carbon Graphite/Ceramic
- Lubrication Guide page 43

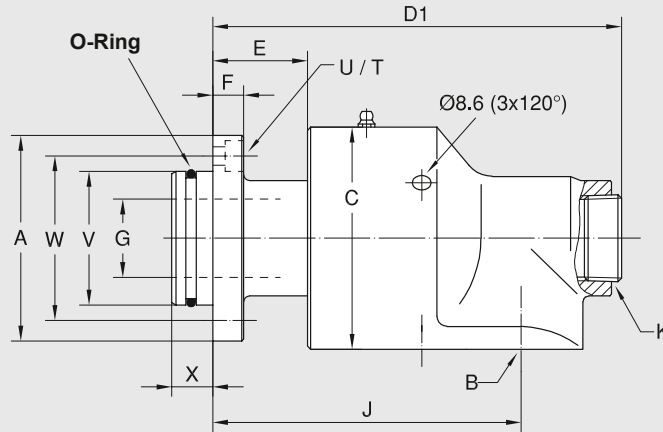
For further information please contact Deublin or your local representative.

Operating Data

Max. Water Pressure	Model	657, 755	200 PSI	14 bar
Max. Sat. Steam Pressure (intern.)			15 PSI	1 bar
Max. Speed	Model	657, 755	1,000 rpm	1,000 min ⁻¹
Max. Temperature			250 °F	121 °C

For higher temperature please consult Deublin.

Monoflow Rotary Union



Flange O-Ring

(supplied by Deublin) for:
Model O-Ring Size
657 73 x 4 Viton

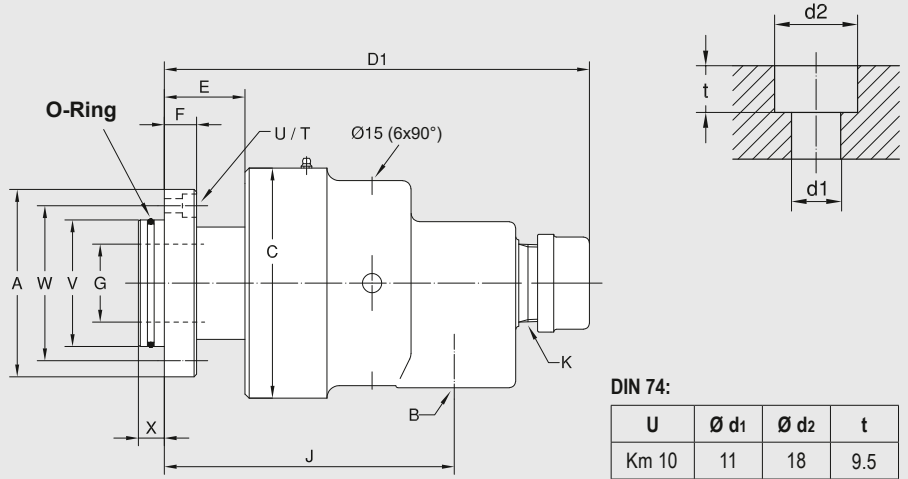
DIN 74:

U	Ø d1	Ø d2	t
Km 10	11	18	9.5

Monoflow Rotary Union

DN	B NPT	Ordering-No	A Ø	C Ø	D1	E	F	G Ø	J	K NPT	T	U	Vf7 Ø PT	W Ø	X	kg
50	G 2	657-130-421	124	117.5	228	46	16	47.6	172	1 ¼	5 x 72°	Km 10	80	100	20	9

Monoflow Rotary Union



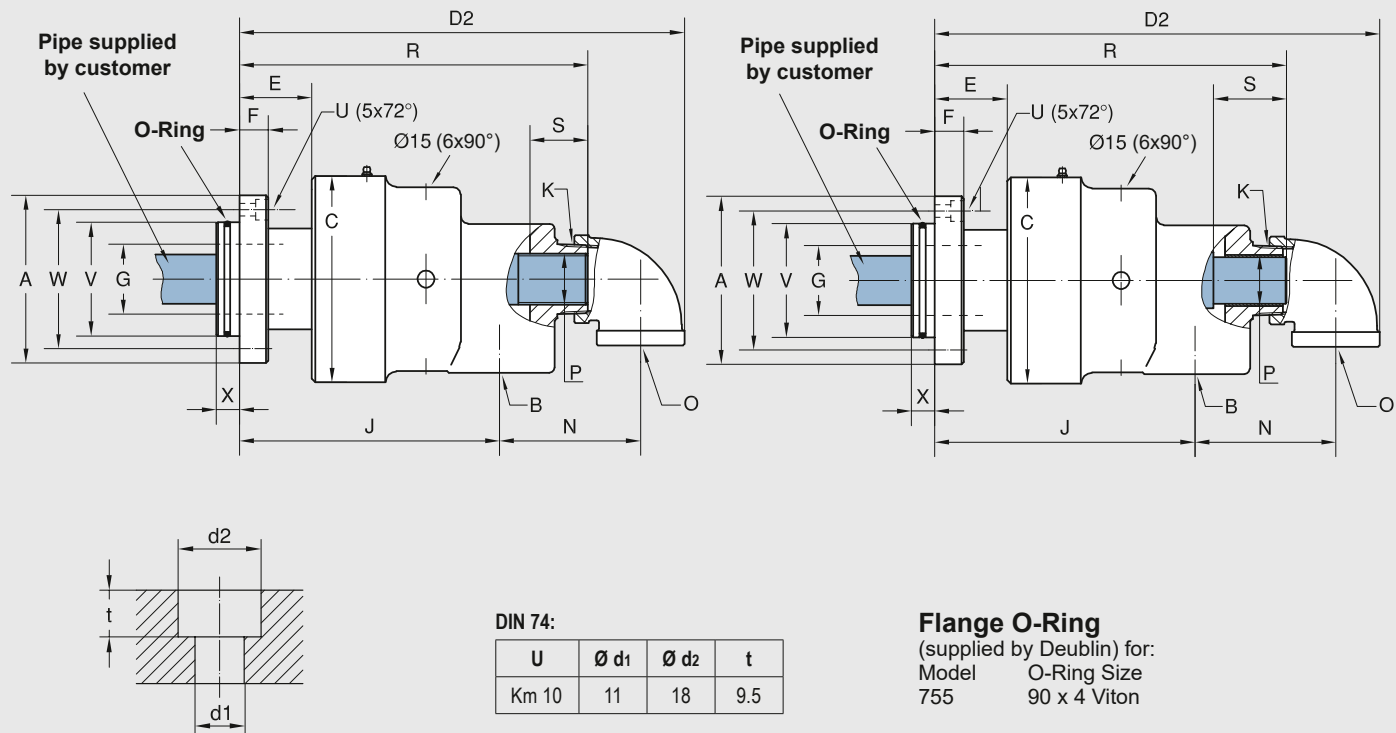
Flange O-Ring
 (supplied by Deublin) for:
 Model O-Ring Size
 755 90 x 4 Viton

Monoflow Rotary Union

DN	B NPT	O	Ordering-No	A Ø	C Ø	D1	E	F	G Ø	J	K NPT	T	U	V77 Ø PT	W Ø	X	kg
65	2 1/2	-	755-713-495	145	178	317	63	26	60.3	225	2	5 x 72°	Km 10	98	120	20	22
	2 1/2	-	755-747-495	145	178	323	63	26	60.3	227	2	5 x 72°	Km 10	98	120	20	22

Duoflow Rotary Union for Threaded Supply Pipe

Duoflow Rotary Union for Rotating Supply Pipe



Duoflow Rotary Union

DN	B NPT	O NPT	Ordering-No	A Ø	C Ø	D2	E	F	G Ø	J	K NPT	N	P Pipe	R	S	U DIN 74	V77 Ø PT	W Ø	X	kg
65	2 1/2	1 1/2	755-713-495139	145	178	372	63	26	60.3	225	2	112	G 1 1/2	301	45	Km 10	98	120	20	23
	2 1/2	1 1/2	755-729-495139	145	178	372	63	26	60.3	225	2	112	Ø39.3 h13	308	70	Km 10	98	120	20	23



DEUBLIN

Rotary Union

General Purposes, DN 65

- Monoflow and duoflow design
- Self-supported Rotary Union
- Radial housing connection
- 6 vent holes
- Cast iron housing
- Steel rotor
- Balanced mechanical seal – standard:
Carbon Graphite/Ceramic
- Lubrication Guide page 43

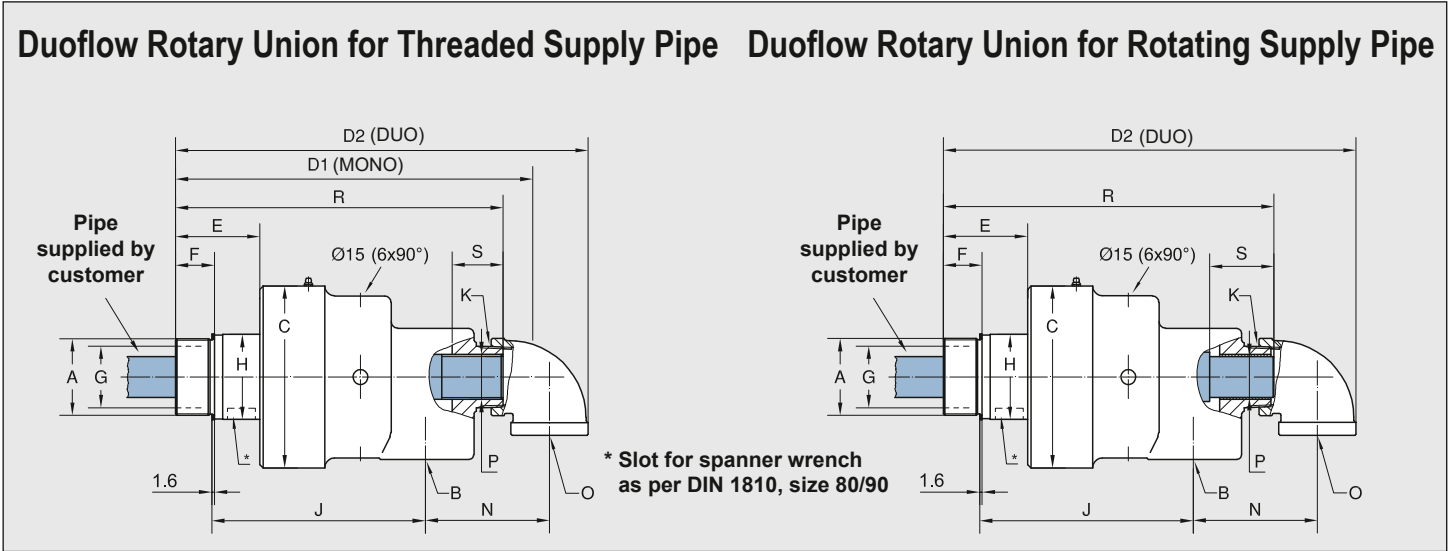
Operating Data

Max. Water Pressure	200 PSI	14 bar
Max. Sat. Steam Pressure (intern.)	15 PSI	1 bar
Max. Speed	750 rpm	750 min ⁻¹
Torque at 120 PSI / 8 bar	4 FT.LBS	5,4 Nm
Max. Temperature	250 °F	121 °C

For higher temperature please consult Deublin.

For further information please contact Deublin or your local representative.

Duoflow Rotary Union for Threaded Supply Pipe Duoflow Rotary Union for Rotating Supply Pipe



Monoflow Rotary Union

DN	B NPT	O NPT	Ordering-No	A Rotor Connections	C Ø	D1	E	F	G Ø	H Ø	J	K	P Pipe	R	S	kg
65	2 1/2	-	755-700-330	G 2 1/2 RH	178	337	83	38	60.3	83	210	2 NPT	-	-	-	20
	2 1/2	-	755-700-411	G 2 1/2 LH	178	337	83	38	60.3	83	210	2 NPT	-	-	-	20
	2 1/2	-	755-700-413	2 1/2 NPT RH	178	336	82	48	60.3	83	219	2 NPT	-	-	-	20
	2 1/2	-	755-700-415	2 1/2 NPT LH	178	336	82	48	60.3	83	219	2 NPT	-	-	-	20
	2 1/2	-	755-707-330	G 2 1/2 RH	178	344	82	38	60.3	83	210	2 NPT	G 1 1/2	319	45	20
	2 1/2	-	755-707-411	G 2 1/2 LH	178	344	82	38	60.3	83	210	2 NPT	G 1 1/2	319	45	20

Duoflow Rotary Union

DN	B NPT	O NPT	Ordering-No	A Rotor Connections	C Ø	D2	E	F	G Ø	H Ø	J	K	N	P Pipe	R	S	kg
65	2 1/2	1 1/4	755-700-413117	2 1/2 NPT RH	178	393	82	48	60.3	83	219	2 NPT	112	1 NPT	316	-	20
	2 1/2	1 1/4	755-700-415117	2 1/2 NPT LH	178	380	81	48	60.3	83	223	2 NPT	112	1 NPT	316	43	20
	2 1/2	1 1/2	755-702-413139	2 1/2 NPT RH	178	381	82	48	60.3	83	219	2 NPT	112	1 NPT	313	43	20
	2 1/2	1 1/2	755-707-330139	G 2 1/2 RH	178	391	82	38	60.3	83	208	2 NPT	112	G 1 1/2	320	45	20
	2 1/2	1 1/2	755-707-411139	G 2 1/2 LH	178	391	82	38	60.3	83	208	2 NPT	112	G 1 1/2	320	45	20
	2 1/2	1 1/2	755-732-330139	G 2 1/2 RH	178	391	82	38	60.3	83	208	2 NPT	112	Ø39.9 h13	320	45	20
	2 1/2	1 1/2	755-732-411139	G 2 1/2 LH	178	391	82	38	60.3	83	208	2 NPT	112	Ø39.9 h13	320	45	20
	2 1/2	1 1/2	755-769-049139	G 2 1/2 RH	178	391	81	38	60.3	83	209	2	112	G 1 1/2	319	45	23
	2 1/2	1 1/2	755-901-898139	G 2 1/2 LH	178	392	82	53	60.3	83	246	2	112	G 1 1/2	320	45	23