

DEUBLIN

Rotary Union 857 Series

Water Service, DN 80

- Monoflow and duoflow design
- Self-supported Rotary Union
- Radial housing connection
- Balanced mechanical seal
Carbon Graphite/Tungsten Carbide
- Full-media flow
- Easy and quick replacement of sealing components
(rotor seal, floating seal)
- Vent holes
- Cast iron housing
- Steel rotor
- Lubrication Guide page 43

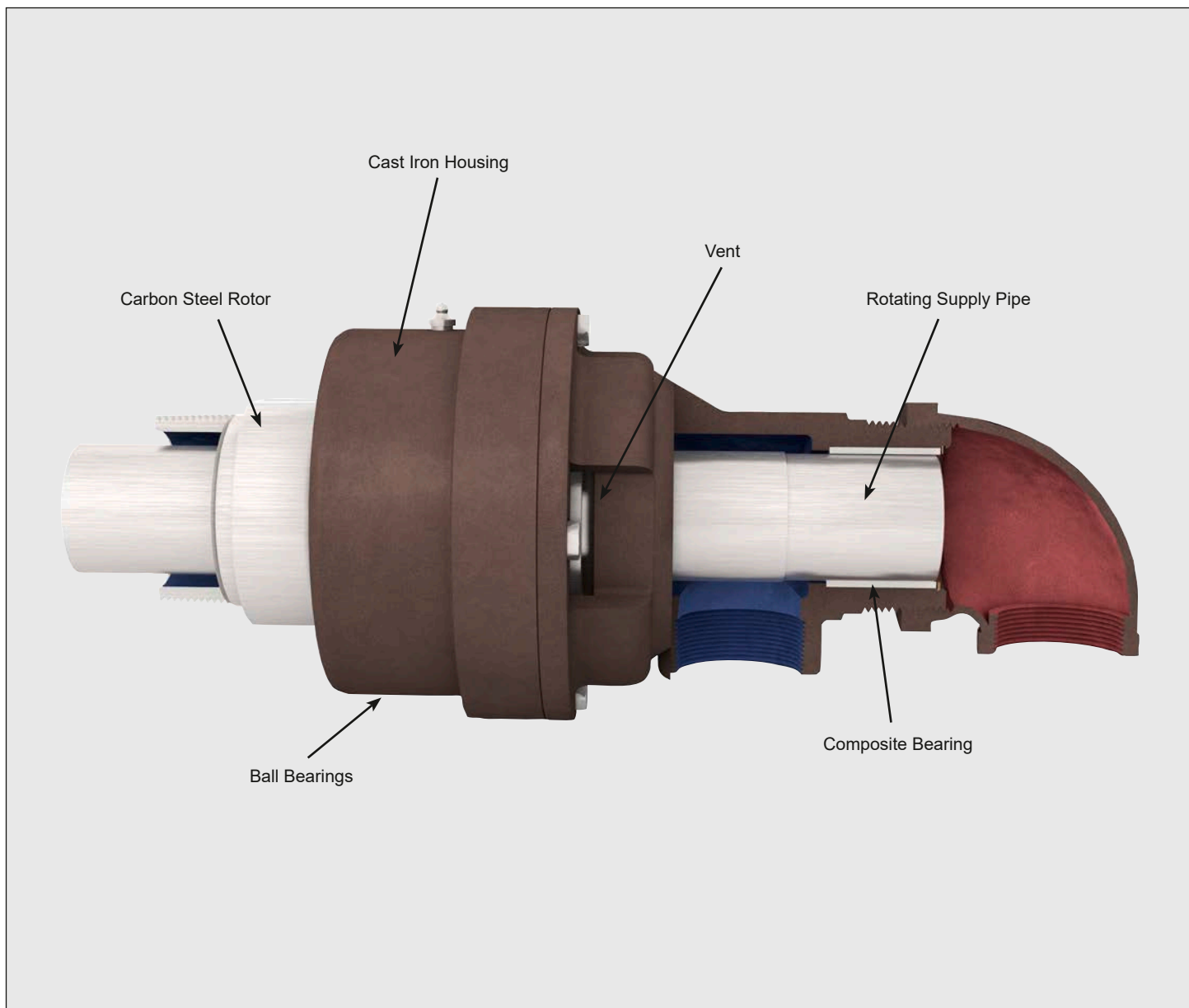


Operating Data

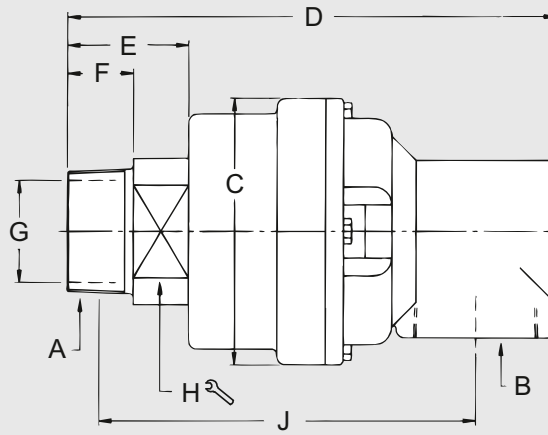
Max. Water Pressure	150 PSI	10 bar
Max. Sat. Steam Pressure (interm.)	15 PSI	1 bar
Max. Speed	500 rpm	500 min ⁻¹
Torque at 150 PSI / 10 bar	6 FT.LBS	8,2 Nm
Max. Temperature	250 °F	121 °C

For higher temperature please consult Deublin.

For further information please contact Deublin or your local representative.



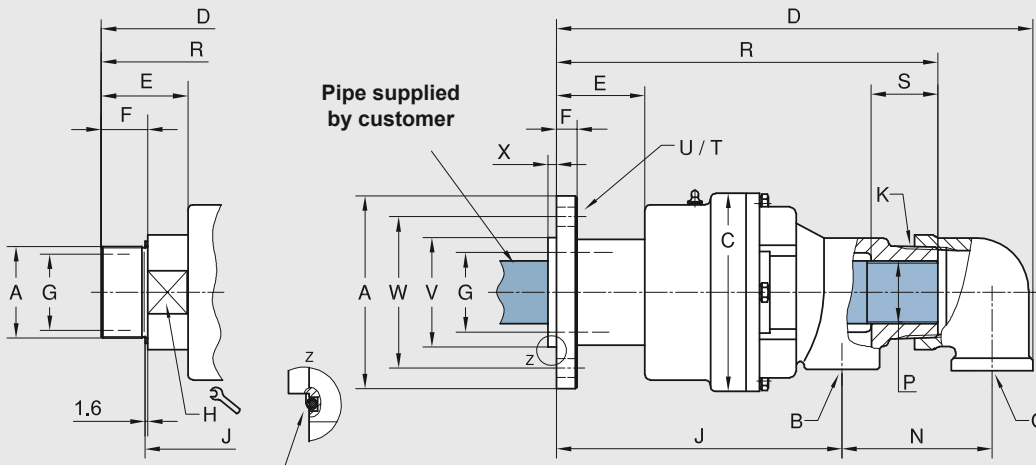
Monoflow Rotary Union



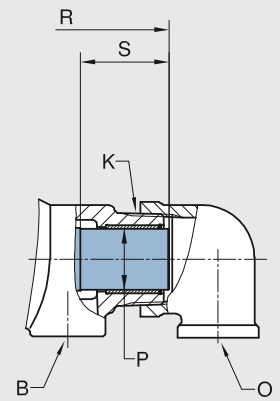
DN	B NPT	Ordering-No	A Rotor Connections		C Ø	D	E	F	G Ø	H ⌀	J	kg
80	3	857-000-101	3 NPT	RH	190	349	87	48	73	102	267	23
	3	857-000-102	3 NPT	LH	190	349	87	48	73	102	267	23
	3	857-000-118	G 3	RH	190	345	84	45	73	102	247	23
	3	857-000-119	G 3	LH	190	345	84	45	73	102	247	23

Duoflow Rotary Union for Threaded Supply Pipe

Rotating Supply Pipe Design



Flange O-Ring
 126.37 x 5.33 Viton (857-002-132)
 113.89 x 3.53 Viton (857-002-145)
 (supplied by Deublin)



DN	B NPT	O NPT	Ordering-No	A Rotor Connections		C Ø	D	E	F	G Ø	H ⌀	J	K NPT	N	P	R	S	T	U Ø	V ØPT	W Ø	X	kg
80	2	2	857-001-101	3 NPT	RH	190	446	87	48	73	102	246	3	144	2 NPT	351	-	-	-	-	-	-	25
	2	2	857-001-102	3 NPT	LH	190	446	87	48	73	102	246	3	144	2 NPT	351	-	-	-	-	-	-	25
	2	2	857-002-118	G 3	RH	190	453	84	45	73	102	228	3	144	58.7 h13	364	85	-	-	-	-	-	29
	2	2	857-002-119	G 3	LH	190	453	84	45	73	102	228	3	144	58.7 h13	364	85	-	-	-	-	-	29
	2	2	857-002-132	Flange Ø229		190	450	91	22	76	-	277	3	144	58.7 h13	366	85	6 x 60°	17	101.68 101.58	192	6.4	30
	2	2	857-002-145	Flange Ø185		190	454	85	20	73	-	271	3	144	58.7 h13	365	85	4 x 90°	18	105.00 104.95	145	8	29