



DEUBLIN

Rotary Union

BC-54000 Series

Water, Steam & Hot Oil Service, Fixed Siphon

- Duoflow, fixed siphon design
- Two widely spaced Carbon Bearings provide greater support to the siphon pipe and hoses
- Carbon Seal placed under compression add strength and shock resistance
- External seal wear indicator allows for planned maintenance reducing expensive downtime
- Cast Iron Housing
- Ferrous Rotor and End Cap

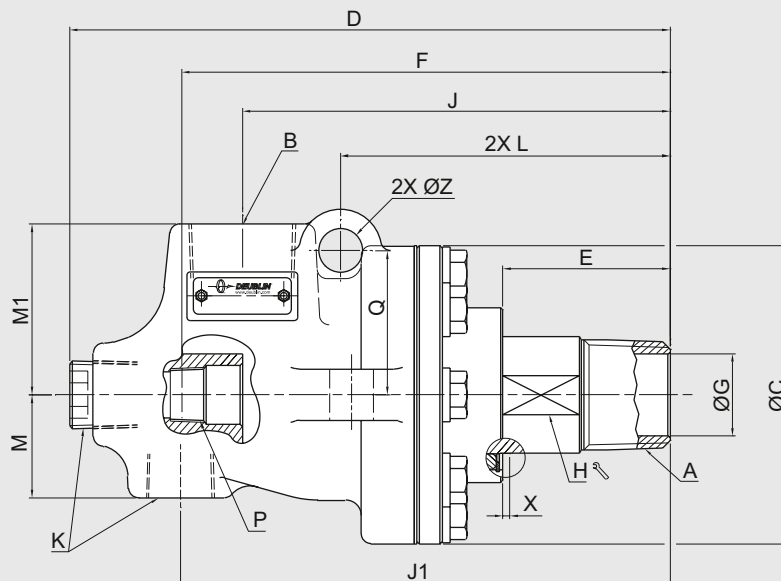
For further information please contact Deublin or your local representative.

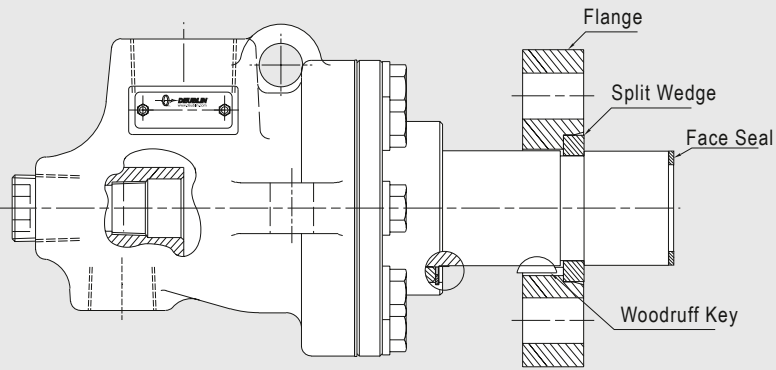
Operating Data

Max. Water or Steam Pressure	1/2 to 1 1/2	250 PSI	17.2 bar
	2 to 3	225 PSI	15.5 bar
Max. Hot Oil Pressure	1/2 to 3	100 PSI	6.9 bar
	1/2 to 1 1/2	400 rpm	400 min ⁻¹
Max. Speed	2 to 3	350 rpm	350 min ⁻¹
		406 °F	208 °C
Max. Water Temperature		446 °F	232 °C
Max. Hot Oil Temperature			

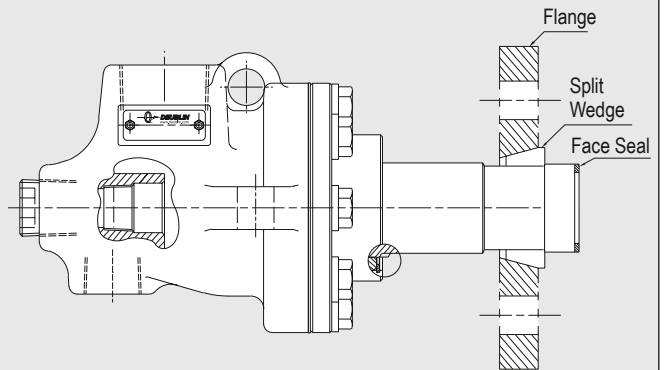
For higher temperature please consult Deublin.

Duoflow Rotary Union with Fixed Siphon





“CF” Connection
BC-54XXX-XX-30

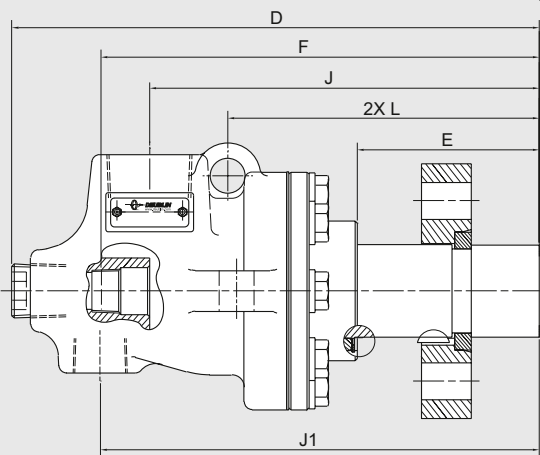
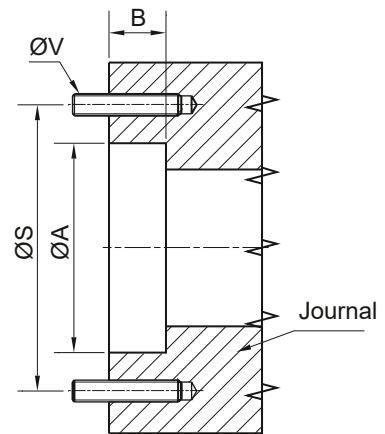


Quick Release Connection
BC-54XXX-XX-32

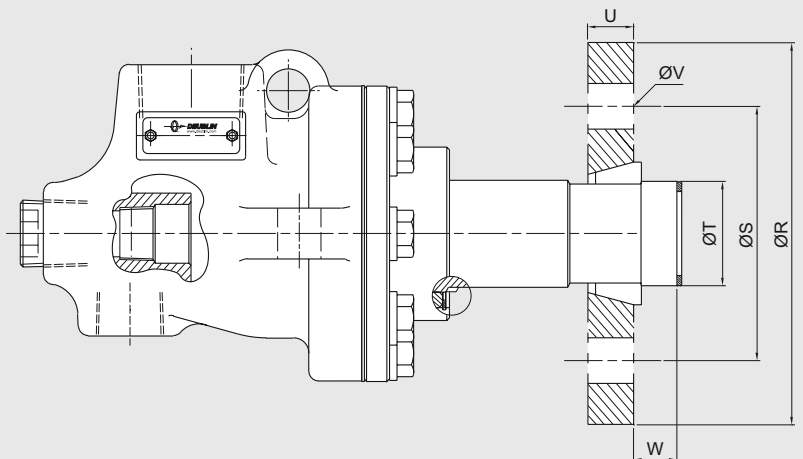
Journal Dimensions

Joint Size	CF Connection		Quick Release Connection	
	ØA	B	ØA	B
1 ½	53.31 - 53.24	26.7	47.60 - 47.70	9.5
2	69.19 - 69.11	26.7	58.98 - 59.08	12.7
2 ½	78.71 - 78.63	26.7	72.19 - 72.29	15.9
3	94.59 - 94.51	26.7	87.18 - 87.28	22.2

Quick Release Flanges and split wedges are available. Contact Deublin for more information.



“CF” Connection
BC-54XXX-XX-30




Quick Release Connection
BC-54XXX-XX-32

BC-54000 Series, Fixed Siphon

DN	Hot Oil Part Number	Water or Steam Part Number	A		B	ØC	D	E	F	ØG	H	J	J1	K
15	–	BC-54000-08-50	½ NPT	RH	½ NPT	76	154	43	124	12.7	22.1	115	136	¼ NPT
	–	BC-54000-08-51	½ NPT	LH	½ NPT	76	154	43	124	12.7	22.1	115	136	¼ NPT
20	BC-54000-12-20	BC-54000-12-50	¾ NPT	RH	¾ NPT	86	160	43	132	19	27.6	115	131	½ NPT
	BC-54000-12-21	BC-54000-12-51	¾ NPT	LH	¾ NPT	86	160	43	132	19	27.6	115	131	½ NPT
25	BC-54000-16-20	BC-54000-16-50	1 NPT	RH	1 NPT	92	184	52	151	25	33.7	132	151	½ NPT
	BC-54000-16-21	BC-54000-16-51	1 NPT	LH	1 NPT	92	184	52	151	25	33.7	132	151	½ NPT
	–	BC-54000-16-50B	1 BSPT	RH	1 BSPT	92	184	52	151	25	33.7	132	151	½ BSPT
	BC-54000-16-21B	BC-54000-16-51B	1 BSPT	LH	1 BSPT	92	184	52	151	25	33.7	132	151	½ BSPT
32	BC-54000-20-20	BC-54000-20-50	1 ¼ NPT	RH	1 ¼ NPT	111	226	48	179	32	42.9	170	178	¾ NPT
	BC-54000-20-21	BC-54000-20-51	1 ¼ NPT	LH	1 ¼ NPT	111	226	48	179	32	42.9	170	178	¾ NPT
	–	BC-54000-20-50B	1 ¼ BSPT	RH	1 ¼ BSPT	111	226	48	179	32	42.9	170	178	¾ BSPT
40	BC-54000-24-20	BC-54000-24-50	1 ½ NPT	RH	1 ½ NPT	121	237	54	186	38.1	49.28	179	190	¾ NPT
	BC-54000-24-21	BC-54000-24-51	1 ½ NPT	LH	1 ½ NPT	121	237	54	186	38.1	49.28	179	190	¾ NPT
	–	BC-54000-24-50B	1 ½ BSPT	RH	1 ½ BSPT	121	237	54	186	38.1	49.28	179	190	¾ BSPT
	–	BC-54000-24-60	CF		1 ½ NPT	121	273	90	222	38.1	–	215	226	¾ NPT
	–	BC-54000-24-62	QR		1 ½ NPT	121	273	90	222	38.1	–	215	226	¾ NPT
	–	BC-54000-24-62B	QR		1 ½ BSPT	121	273	90	222	38.1	–	215	226	¾ BSPT
50	BC-54000-32-20	BC-54000-32-50	2 NPT	RH	2 NPT	152	294	56	215	48	60.45	205	219	1 ¼ NPT
	–	BC-54000-32-51	2 NPT	LH	2 NPT	152	294	56	215	48	60.45	205	219	1 ¼ NPT
	–	BC-54000-32-60	CF		2 NPT	152	331	93	251	48	–	242	256	1 ¼ NPT
65	–	BC-54000-40-50	2 ½ NPT	RH	2 ½ NPT	172	340	74	253	57.2	74.5	248	257	1 ¼ NPT
	–	BC-54000-40-51	2 ½ NPT	LH	2 ½ NPT	172	340	74	253	57.2	74.5	248	257	1 ¼ NPT
	–	BC-54000-40-60	CF		2 ½ NPT	172	356	90	270	57.2	–	263	272	1 ¼ NPT
80	–	BC-54000-48-50	3 NPT	RH	3 NPT	200	358	78	274	73	89.5	271	276	1 ½ NPT
	–	BC-54000-48-51	3 NPT	LH	3 NPT	200	358	78	274	73	89.5	271	276	1 ½ NPT
	–	BC-54000-48-62	QR		3 NPT	200	369	91	285	73	89.5	284	287	1 ½ NPT

* BSPT Models are not supplied with siphon bushing

L	M	M1	P	P with bushing	Q	ØR	ØS	ØT	U	4 X ØV	W	X	ØZ	 kg	DN
-	30	42	1/8 NPT	-	-	-	-	-	-	-	-	4.8	-	1.59	15
-	30	42	1/8 NPT	-	-	-	-	-	-	-	-	4.8	-	1.59	
-	32	44	1/4 NPT	1/8 NPT	-	-	-	-	-	-	-	4.8	-	2.27	20
-	32	44	1/4 NPT	1/8 NPT	-	-	-	-	-	-	-	4.8	-	2.27	
102	32	53	3/8 NPT	1/4 NPT	44	-	-	-	-	-	-	6.3	13.5	2.72	25
102	32	53	3/8 NPT	1/4 NPT	44	-	-	-	-	-	-	6.3	13.5	2.72	
102	32	53	3/8 BSPT	-	44	-	-	-	-	-	-	6.3	13.5	2.72	
102	32	53	3/8 BSPT	-	44	-	-	-	-	-	-	6.3	13.5	2.72	
111	45	56	1/2 NPT	3/8 NPT	53	-	-	-	-	-	-	6.3	16	5.9	32
111	45	56	1/2 NPT	3/8 NPT	53	-	-	-	-	-	-	6.3	16	5.9	
111	45	56	1/2 BSPT	-	53	-	-	-	-	-	-	6.3	16	5.9	
120	52	62	3/4 NPT	1/2 NPT	57	-	-	-	-	-	-	6.3	16	6.8	40
120	52	62	3/4 NPT	1/2 NPT	57	-	-	-	-	-	-	6.3	16	6.8	
120	52	62	3/4 BSPT	-	57	-	-	-	-	-	-	6.3	16	6.8	
156	52	62	3/4 NPT	1/2 NPT	57	124	92	53.14 ± 0.02	19	17	26.2	6.3	16	8.62	
156	52	62	3/4 NPT	1/2 NPT	57	-	-	-	-	-	-	6.3	16	6.8	
156	52	62	3/4 BSPT	-	57	-	-	-	-	-	-	6.3	16	6.8	
127	65	70	3/4 NPT	1/2 NPT	70	-	-	-	-	-	-	7.9	16	11.79	50
127	65	70	3/4 NPT	1/2 NPT	70	-	-	-	-	-	-	7.9	16	11.79	
164	65	70	3/4 NPT	1/2 NPT	70	140	108	68.96 ± 0.02	19	17.35	26	7.9	16	14.06	
161	64	76	1 NPT	3/4 NPT	78	-	-	-	-	-	-	6.3	19	14.97	65
161	64	76	1 NPT	3/4 NPT	78	-	-	-	-	-	-	6.3	19	14.97	
176	64	76	1 NPT	3/4 NPT	78	149	117.4	78.49 ± 0.02	19	17.35	26	6.3	19	18.14	
168	73	92	1 1/2 NPT	1 NPT	92	-	-	-	-	-	-	6.35	24	20.41	80
168	73	92	1 1/2 NPT	1 NPT	92	-	-	-	-	-	-	6.35	24	20.41	
181	73	92	1 1/2 NPT	1 NPT	92	-	-	87.15 ± 0.02	-	-	-	6.35	24	20.41	