



# DEUBLIN

## Rotary Union

### BC-54205 Series

### Water, Steam & Hot Oil Service, Rotating Siphon

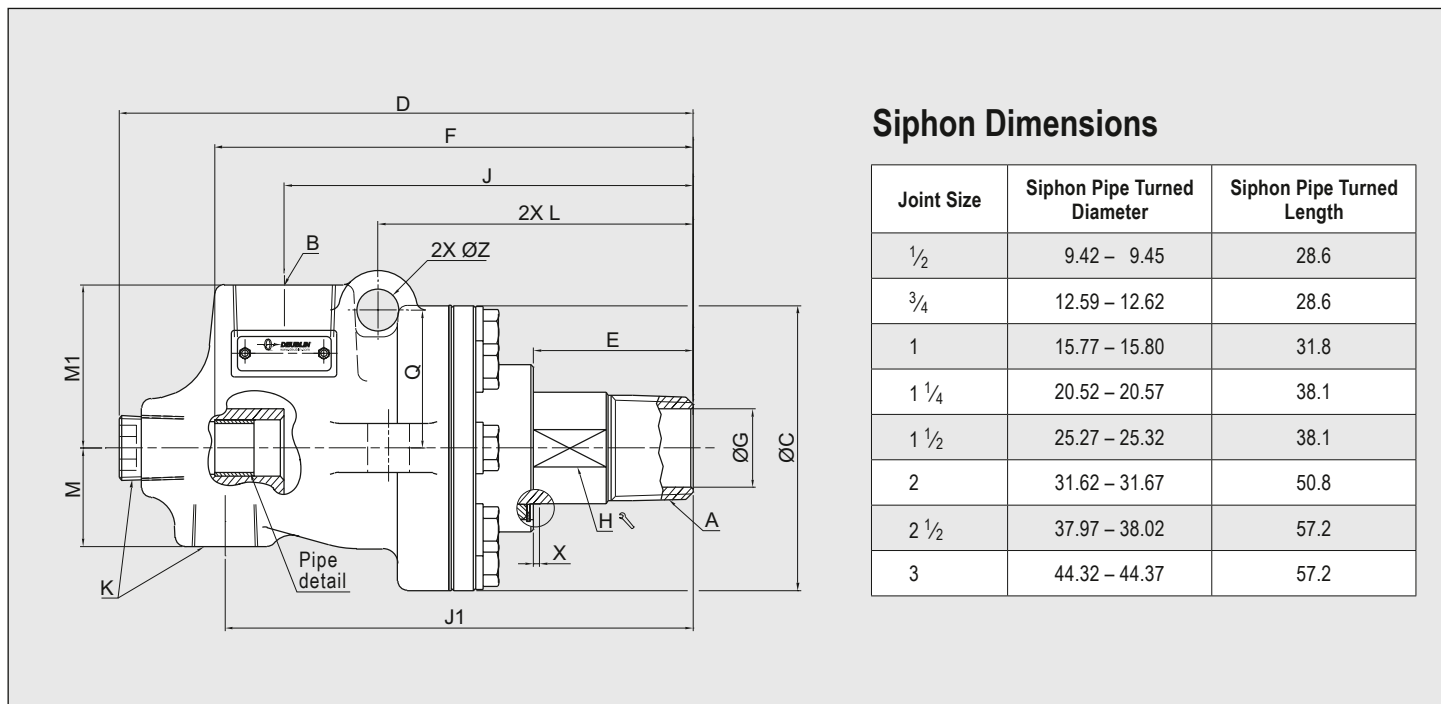
- Duoflow, Rotating Siphon design
- Two widely spaced Carbon Bearings provide greater support to the siphon pipe and hoses
- Carbon Seal placed under compression add strength and shock resistance
- External seal wear indicator allows for planned maintenance reducing expensive downtime
- Cast Iron Housing
- Ferrous Rotor and End Cap

#### Operating Data

Max. Water or Steam Pressure	2 to 3	225 PSI	15.5 bar
Max. Hot Oil Pressure	3/4 to 1 1/2	100 PSI	6.9 bar
Max. Speed	3/4 to 1 1/2	400 rpm	400 min <sup>-1</sup>
	2 to 3	350 rpm	350 min <sup>-1</sup>
Max. Water Temperature		406 °F	208 °C
Max. Hot Oil Temperature		446 °F	232 °C

For higher temperature please consult Deublin.

For further information please contact Deublin or your local representative.

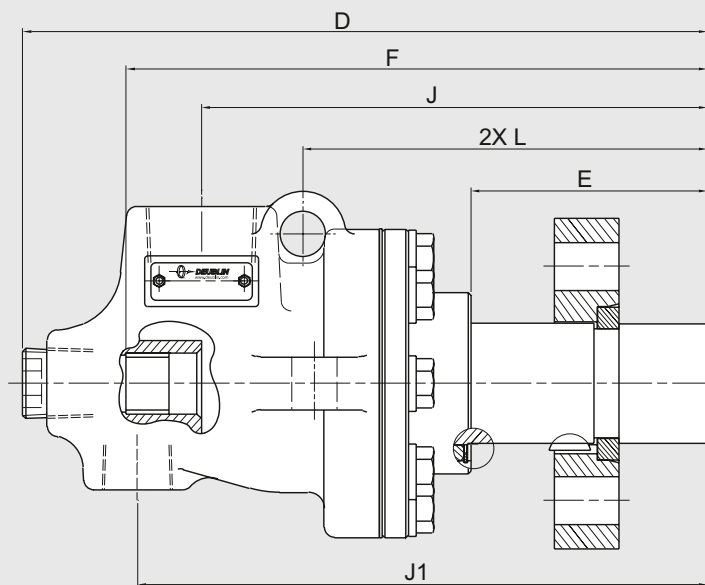
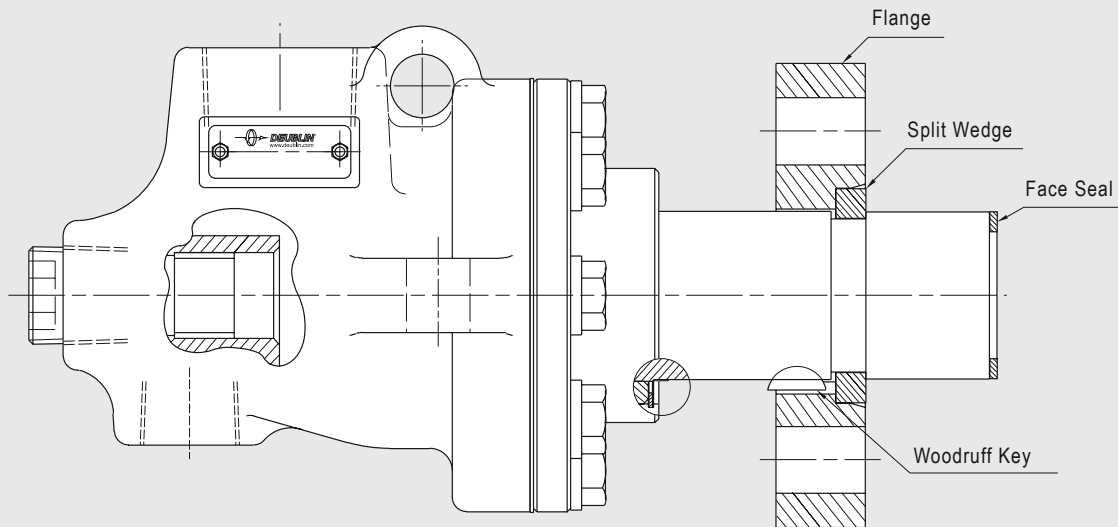


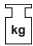
#### Siphon Dimensions

Joint Size	Siphon Pipe Turned Diameter	Siphon Pipe Turned Length
1/2	9.42 – 9.45	28.6
3/4	12.59 – 12.62	28.6
1	15.77 – 15.80	31.8
1 1/4	20.52 – 20.57	38.1
1 1/2	25.27 – 25.32	38.1
2	31.62 – 31.67	50.8
2 1/2	37.97 – 38.02	57.2
3	44.32 – 44.37	57.2

DN	Hot Oil Part Number	Water or Steam Part Number	A	B	ØC	D	E	F	ØG	H	J
20	BC-54205-12-21	–	3/4 NPT LH	3/4 NPT	86.4	163	43	129	19.3	27.6	115
25	BC-54205-16-21	–	1 NPT LH	1 NPT	92	184	52	154	25	33.7	132
40	BC-54205-24-20	–	1 1/2 NPT RH	1 1/2 NPT	121	237	54	190	38.1	49.28	179
	BC-54205-24-21	–	1 1/2 NPT LH	1 1/2 NPT	121	237	54	190	38.1	49.28	179
50	–	BC-54205-32-50	2 NPT RH	2 NPT	152	294	56	212	48	60.45	205
65	–	BC-54205-40-50	2 1/2 NPT RH	2 1/2 NPT	172	340	74	254	57	74.5	248
80	–	BC-54205-48-60	CF	3 NPT	200	370	91	293	73	–	284

### Threaded End & Siphon Pipe



J1	K	L	M	M1	Q	ØR	ØS	ØT	U	4 X ØV	W	X	ØZ		DN
136	1/2 NPT	-	32	45	-	-	-	-	-	-	-	4.8	-	2.27	20
151	1/2 NPT	102	32	53	44	-	-	-	-	-	-	6.3	13.5	2.72	25
190	3/4 NPT	120	52	62	57	-	-	-	-	-	-	6.3	16	5.9	40
190	3/4 NPT	120	52	62	57	-	-	-	-	-	-	6.3	16	5.9	
219	1 1/4 NPT	127	65	70	70	-	-	-	-	-	-	7.9	16	11.79	50
258	1 1/4 NPT	161	64	76	78	-	-	-	-	-	-	6.3	19	14.97	65
289	1 1/2 NPT	181	73	92	92	165	133.35	94.36 ± 0.025	19	17.5	26.2	6.3	24	22.68	80