



DEUBLIN

Rotary Union

BC-54100 Series

Water, Steam & Hot Oil Service, Monoflow

- Monoflow design
- Carbon Seal placed under compression add strength and shock resistance
- External seal wear indicator allows for planned maintenance reducing expensive downtime
- Cast Iron Housing
- Ferrous Rotor and End Cap

For further information please contact Deublin or your local representative.

Operating Data

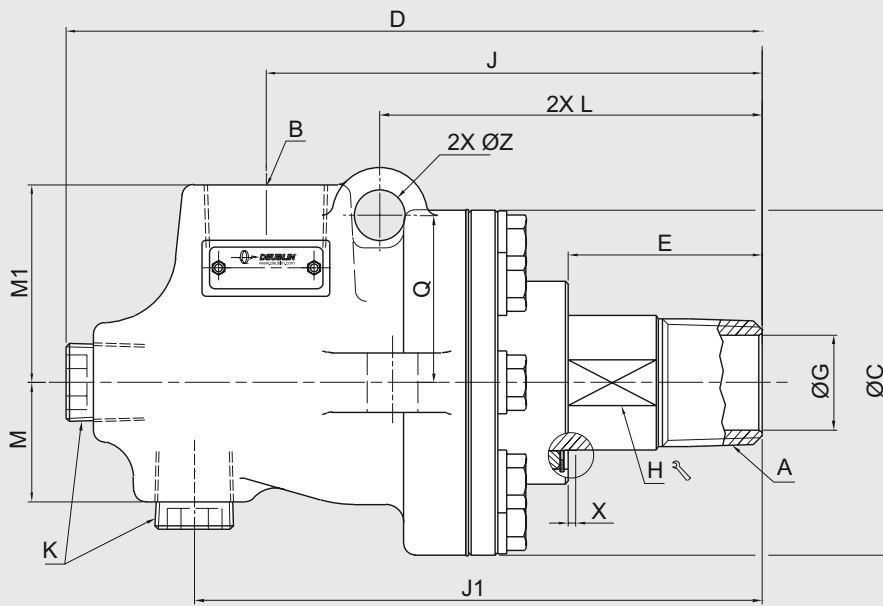
Max. Water or Steam Pressure	1/2 to 1 1/2	250 PSI	17.2 bar
Max. Hot Oil Pressure	1/2 to 1 1/2	100 PSI	6.9 bar
Max. Speed	1/2 to 1 1/2	400 rpm	400 min ⁻¹
Max. Water Temperature		406 °F	208 °C
Max. Hot Oil Temperature		446 °F	232 °C


For higher temperature please consult Deublin.

BC-54100 Series, Monoflow

DN	Hot Oil Part Number	Water or Steam Part Number	A		B	ØC	D	E	ØG	H
15	BC-54100-08-20	BC-54100-08-50	1/2 NPT	RH	1/2 NPT	76	154	43	12.7	22.1
	BC-54100-08-21	BC-54100-08-51	1/2 NPT	LH	1/2 NPT	76	154	43	12.7	22.1
20	BC-54100-12-20	BC-54100-12-50	3/4 NPT	RH	3/4 NPT	86	163	43	19	27.6
	BC-54100-12-21	BC-54100-12-51	3/4 NPT	LH	3/4 NPT	86	163	43	19	27.6
25	BC-54100-16-20	BC-54100-16-50	1 NPT	RH	1 NPT	92	184	52	25	33.7
	BC-54100-16-21	BC-54100-16-51	1 NPT	LH	1 NPT	92	184	52	25	33.7
40	BC-54100-24-20	BC-54100-24-50	1 1/2 NPT	RH	1 1/4 NPT	121	237	54	38.1	49.28
	BC-54100-24-21	BC-54100-24-51	1 1/2 NPT	LH	1 1/4 NPT	121	237	54	38.1	49.28

Threaded Connection



J	J1	K	L	M	M1	Q	X	ØZ	 kg	DN
115	136	1/4 NPT	-	30	42	-	4.8	-	1.59	15
115	136	1/4 NPT	-	30	42	-	4.8	-	1.59	
115	131	1/2 NPT	-	32	45	-	4.8	-	2.27	20
115	131	1/2 NPT	-	32	45	-	4.8	-	2.27	
132	151	1/2 NPT	102	32	53	44	6.3	13.5	2.72	25
132	151	1/2 NPT	102	32	53	44	6.3	13.5	2.72	
179	190	3/4 NPT	120	52	62	57	6.3	16	6.8	40
179	190	3/4 NPT	120	52	62	57	6.3	16	6.8	